



US00D464067S

(12) **United States Design Patent**
Rogers et al.

(10) **Patent No.:** **US D464,067 S**

(45) **Date of Patent:** **** Oct. 8, 2002**

(54) **FEED HOUSING FOR A HYDROCYCLONE
FEED ASSEMBLY**

(75) Inventors: **Brian Leslie Rogers**, Woronora Heights
(AU); **Michael Arthur West**, Frenchs
Forest (AU)

(73) Assignee: **Warman International Limited (AU)**

(**) Term: **14 Years**

(21) Appl. No.: **29/115,788**

(22) Filed: **Dec. 22, 1999**

Related U.S. Application Data

(63) Continuation-in-part of application No. 29/075,286, filed on
Aug. 26, 1997, now abandoned.

(30) **Foreign Application Priority Data**

Feb. 26, 1997 (AU) 594/97

(51) **LOC (7) Cl.** **15-09**

(52) **U.S. Cl.** **D15/147**

(58) **Field of Search** D15/145-147,
D15/199; 209/732, 11, 721, 728, 734; 210/512.2,
175, 787

(56) **References Cited**

U.S. PATENT DOCUMENTS

- 2,532,885 A * 12/1950 Berges 209/728
- 3,385,437 A * 5/1968 Woodruff 209/734
- 3,901,794 A * 8/1975 Henne et al. 209/11
- 4,175,036 A * 11/1979 Frykhult 209/734
- 4,361,490 A * 11/1982 Saget 210/787

- 4,390,419 A * 6/1983 Barthelmess 209/11
- 4,409,097 A * 10/1983 Barthelmess 209/11
- 4,541,934 A * 9/1985 Hakola 210/787
- 4,652,363 A * 3/1987 Miller 209/734
- D294,363 S * 2/1988 Donhauser D15/147
- 4,956,091 A * 9/1990 Akker 210/512.2
- 5,305,889 A * 4/1994 Ganz 209/734
- 5,651,466 A * 7/1997 Satomi 209/734
- 5,858,237 A * 1/1999 Hashmi et al. 210/512.2
- 5,901,853 A * 5/1999 Singleton, Jr. 210/787
- 5,951,877 A * 9/1999 Langley et al. 210/782
- 6,129,217 A * 10/2000 Trickey et al. 209/732

* cited by examiner

Primary Examiner—Cathy Anne MacCormac
(74) *Attorney, Agent, or Firm*—Collier Shannon Scott,
PLLC

(57) **CLAIM**

The ornamental design for a feed housing for a hydrocy-
clone feed assembly, as shown and described.

DESCRIPTION

FIG. 1 is a top, right, front, perspective view of a feed
housing for a hydrocyclone feed assembly showing our new
design;

FIG. 2 is a top, left, rear, perspective view thereof;

FIG. 3 is a top left perspective view thereof;

FIG. 4 is a front elevational view thereof;

FIG. 5 is a rear elevational view thereof;

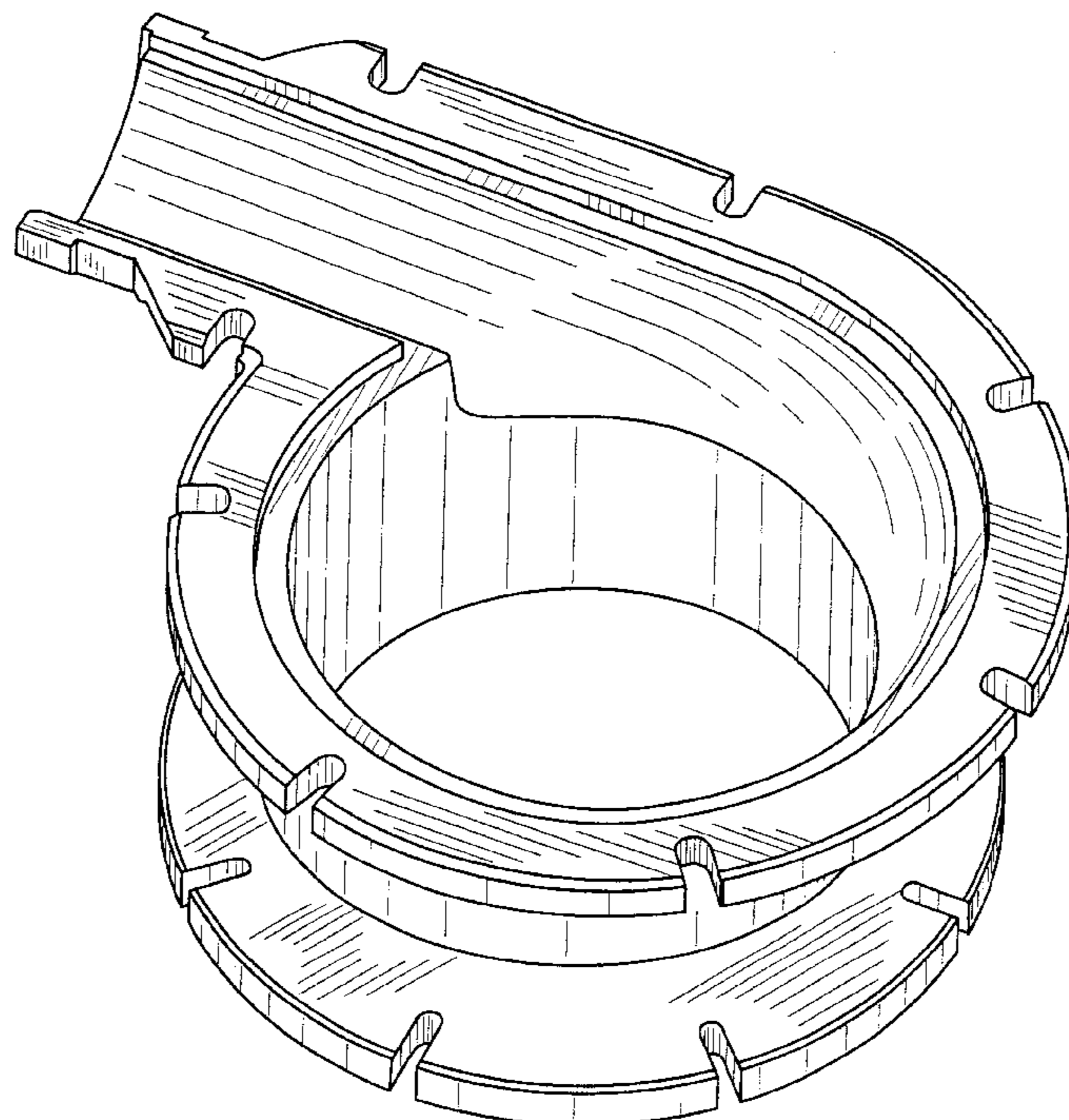
FIG. 6 is a right, side elevational view thereof;

FIG. 7 is a left side elevational view thereof;

FIG. 8 is a top view thereof; and,

FIG. 9 is a bottom view thereof.

1 Claim, 9 Drawing Sheets



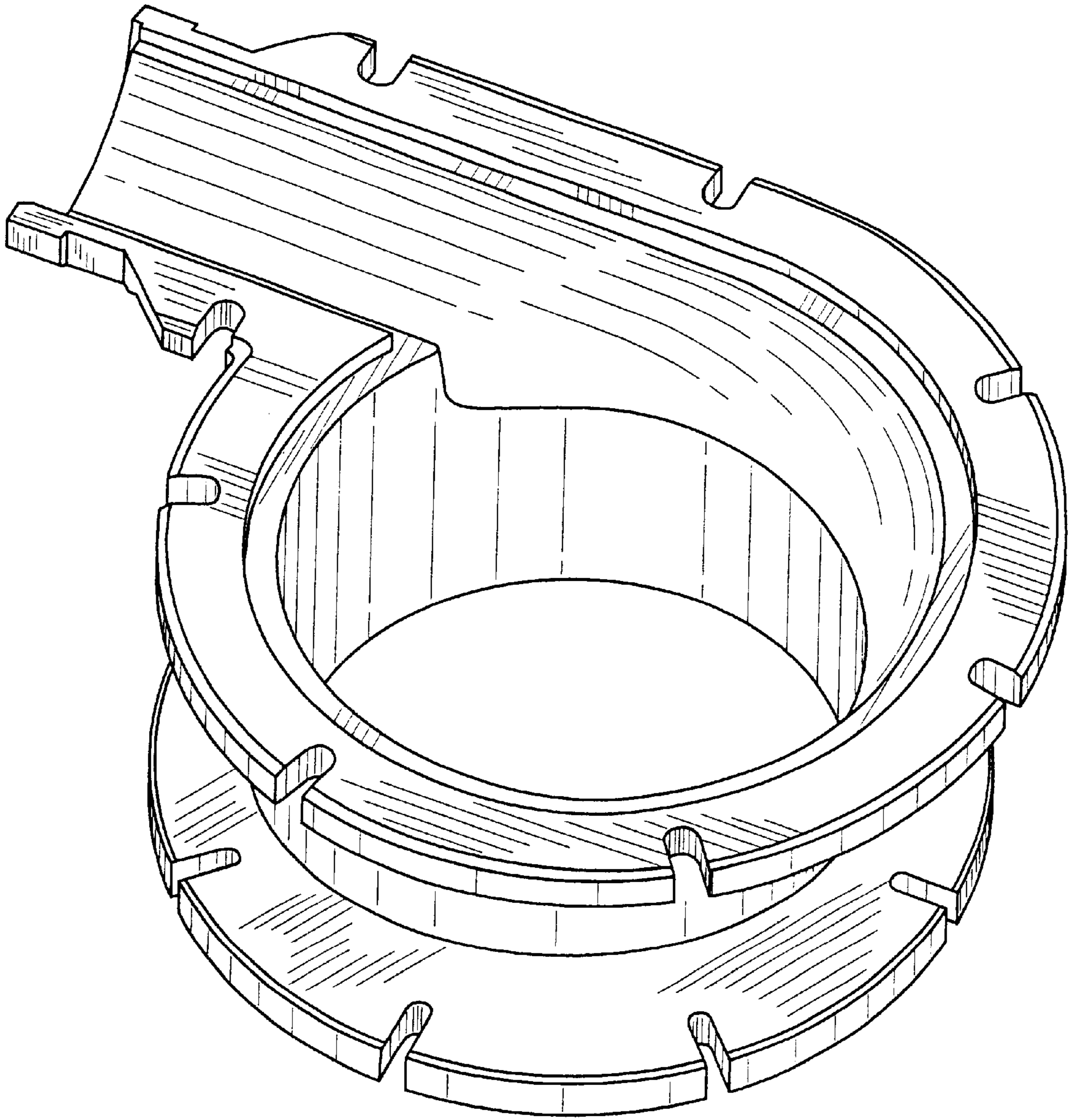


FIG. 1

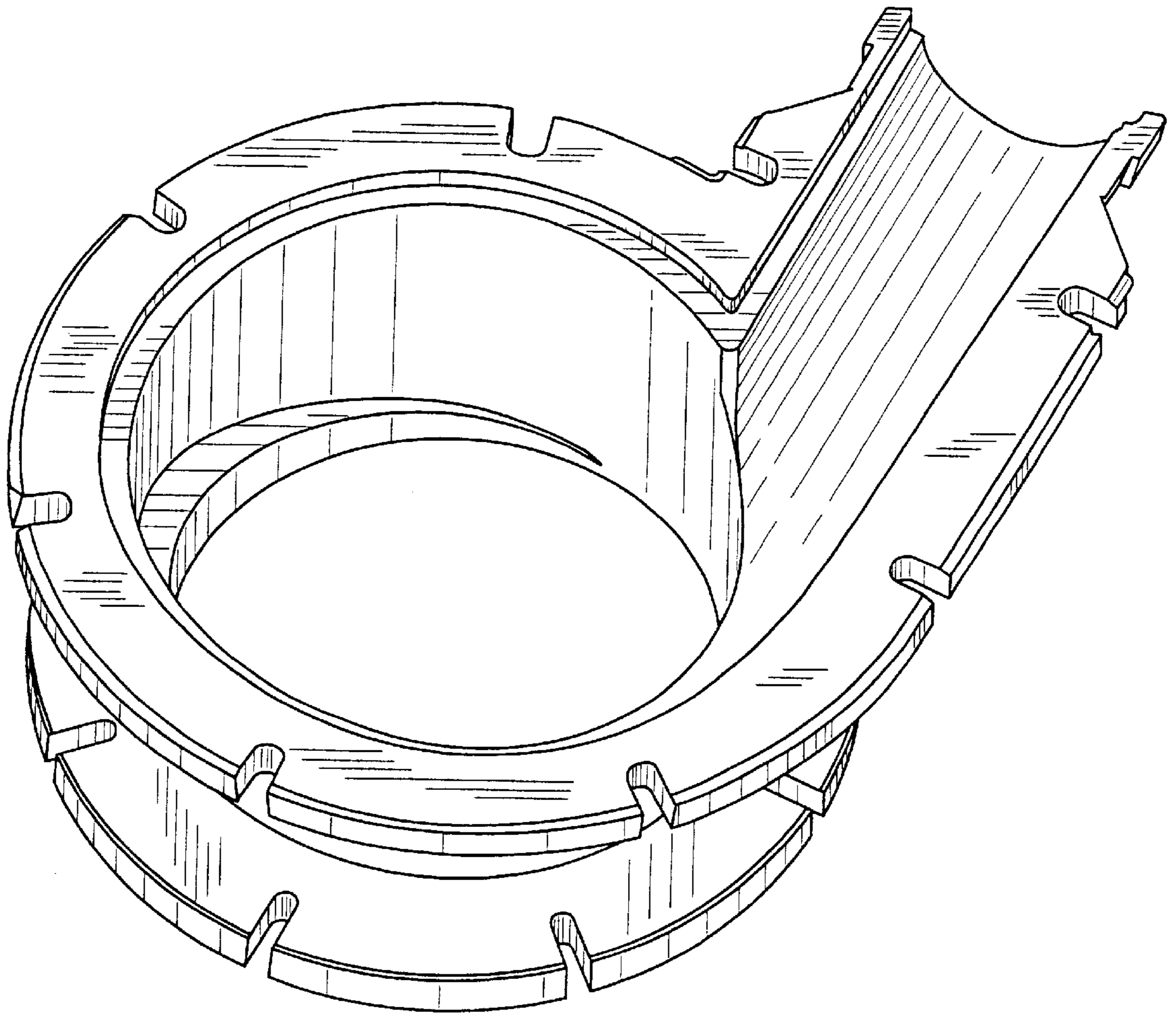


FIG. 2

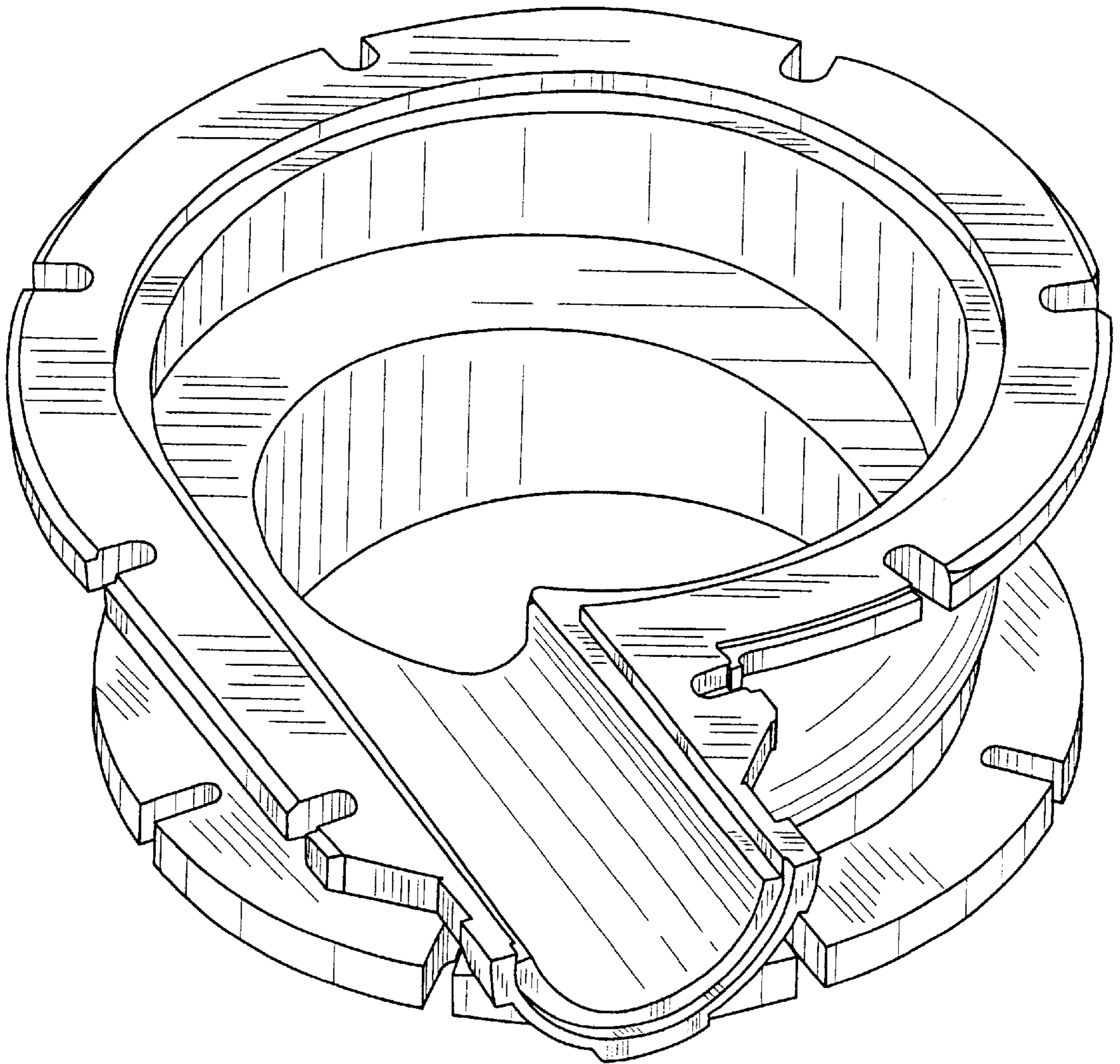


FIG. 3

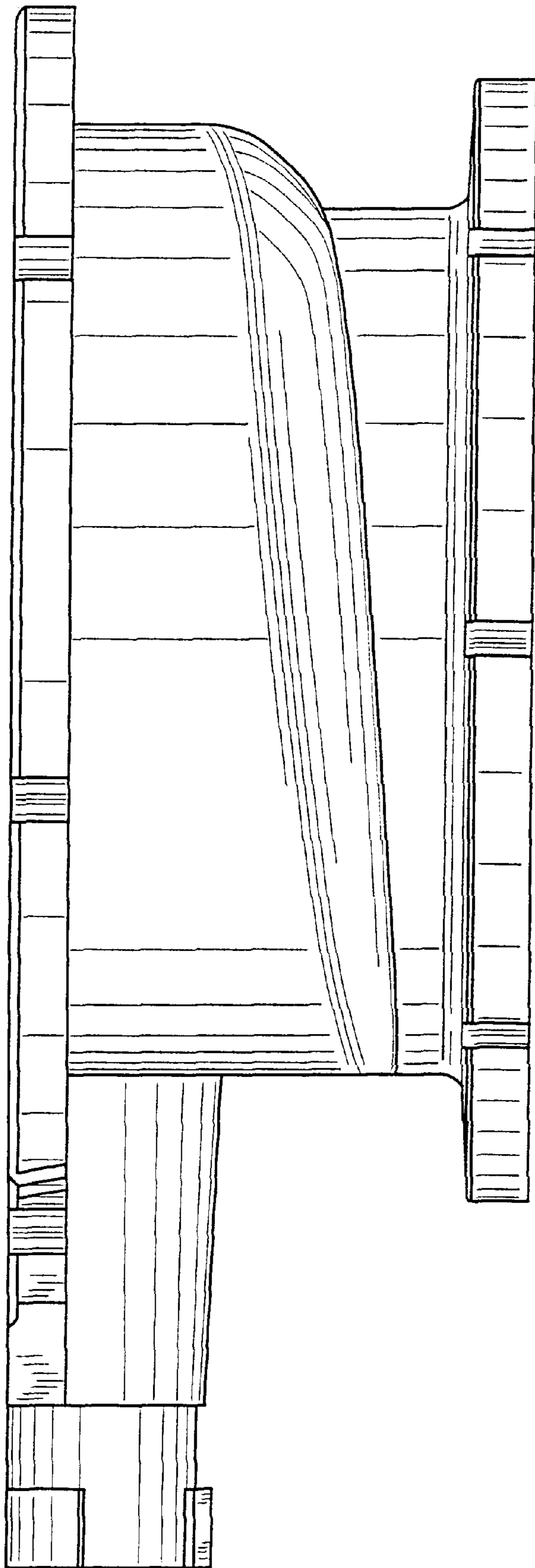


FIG. 4

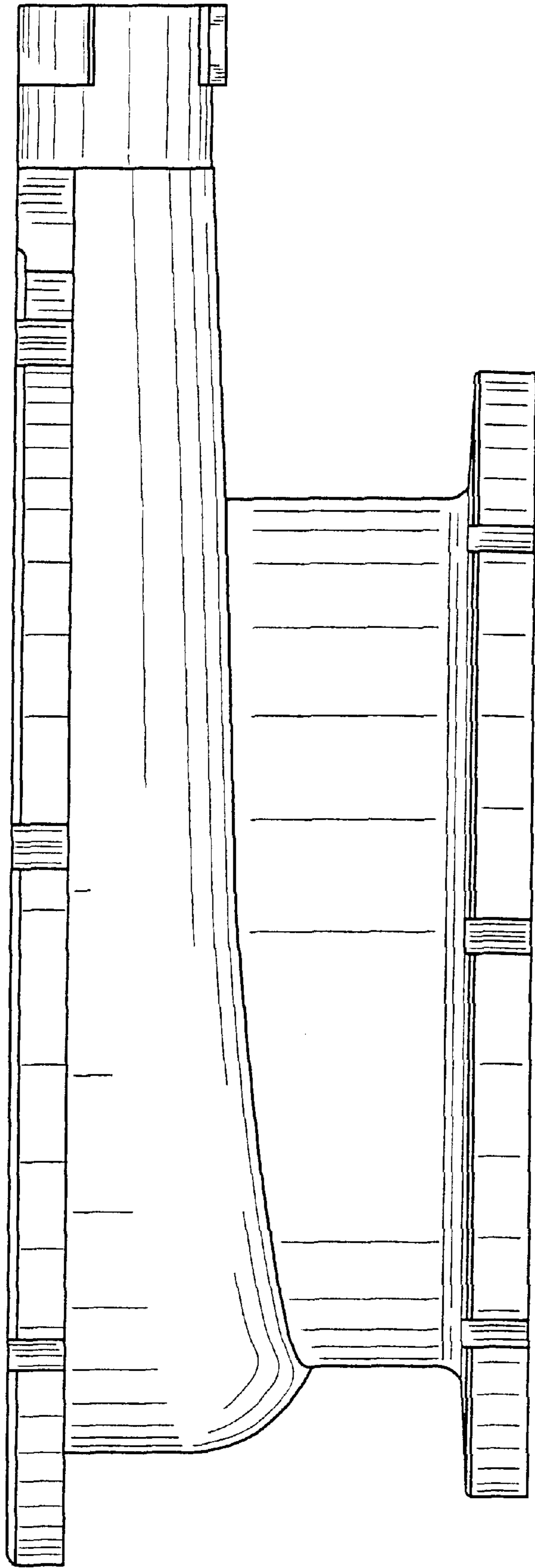


FIG. 5

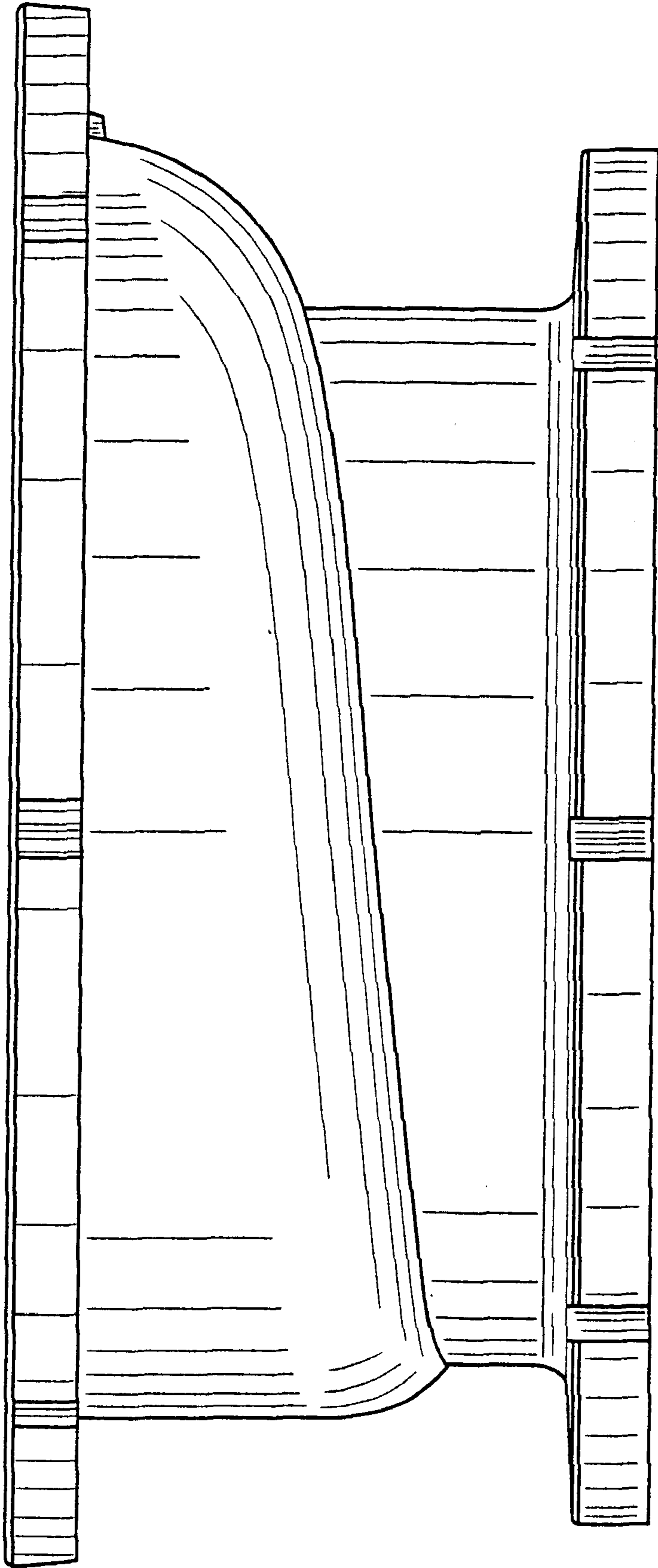


FIG. 6

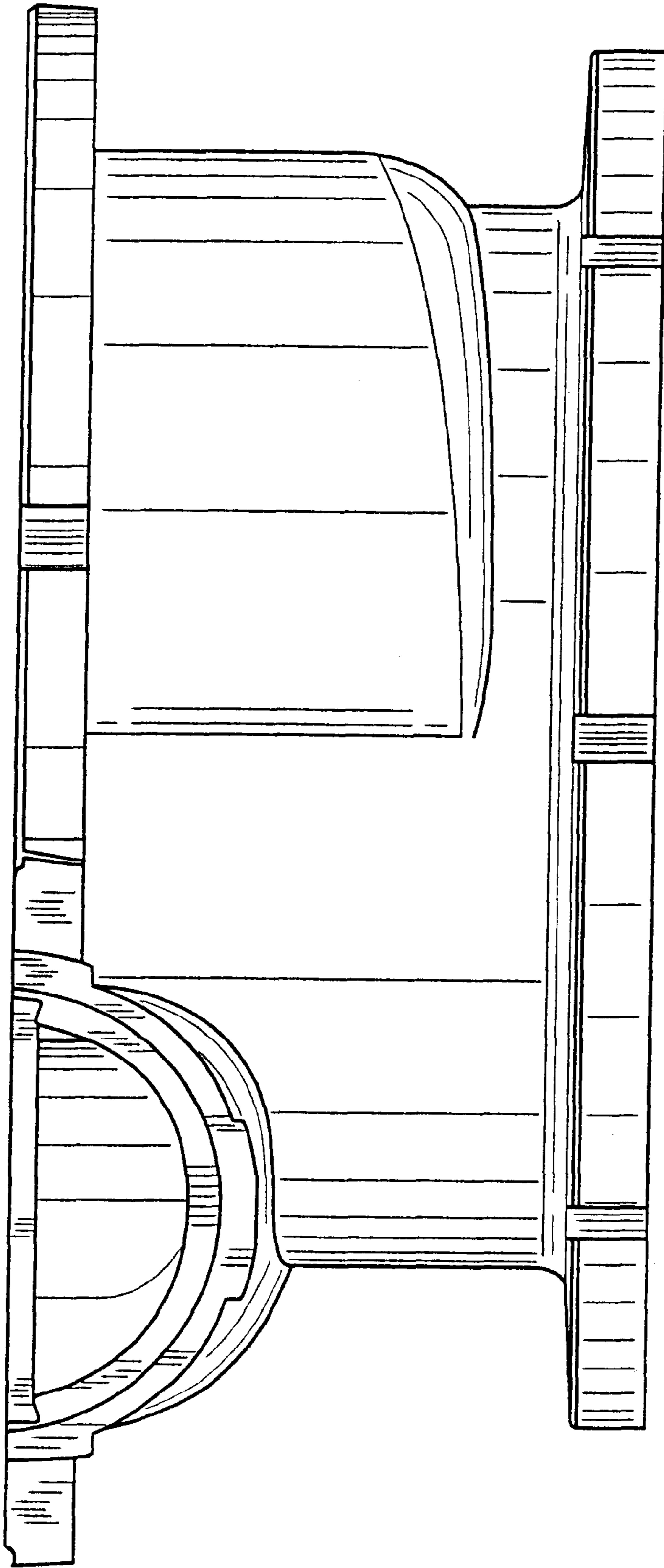


FIG. 7

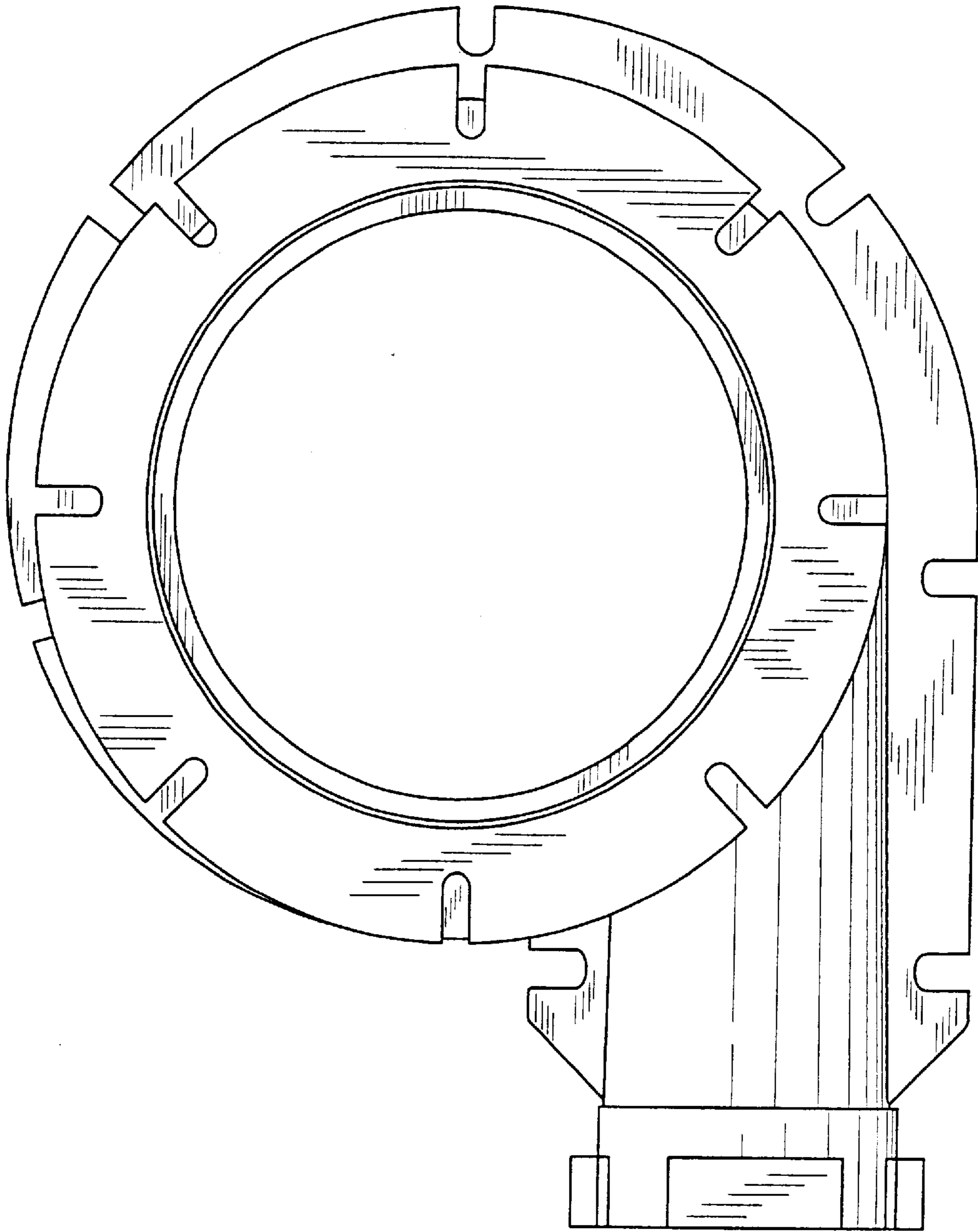


FIG. 8

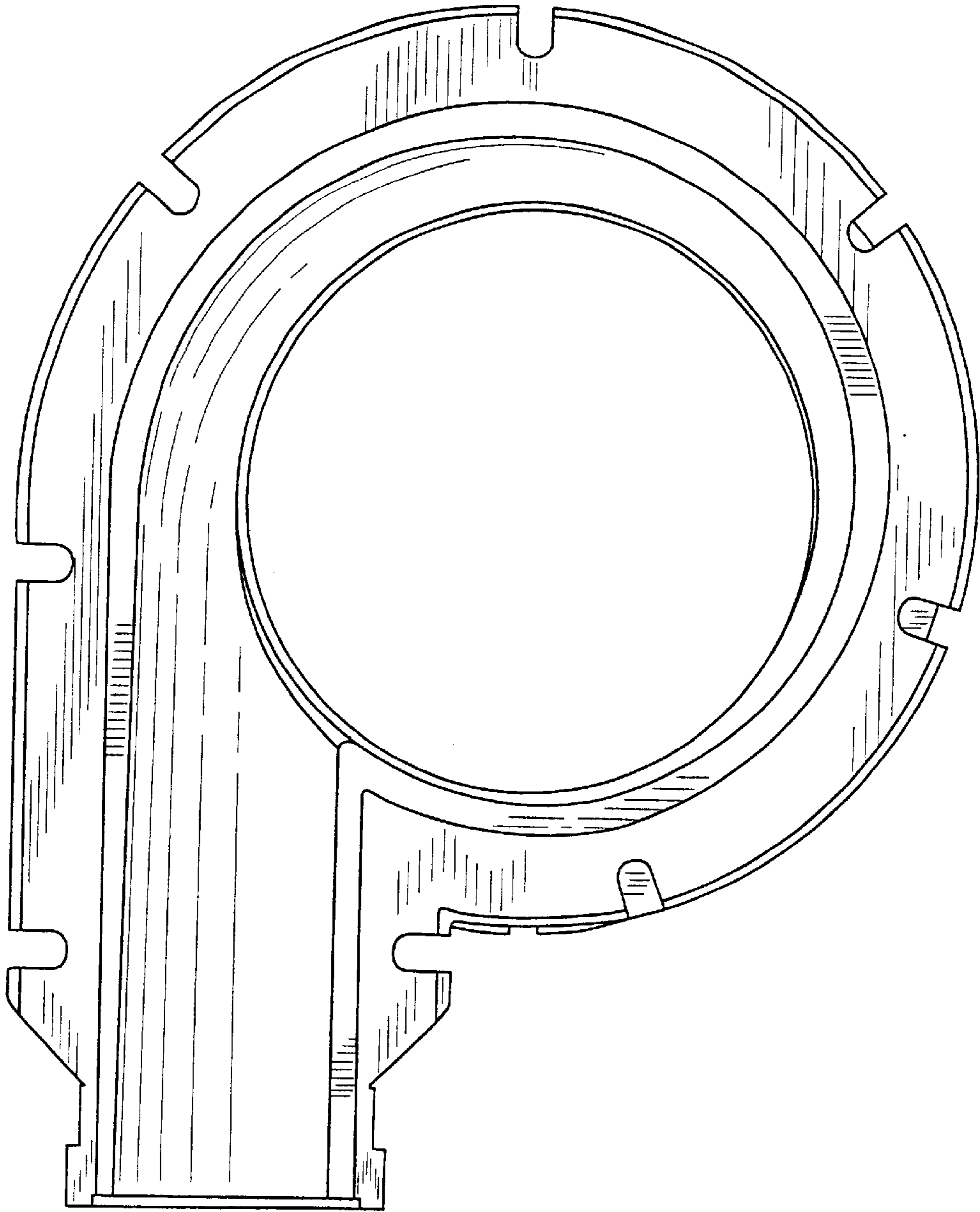


FIG. 9