



US00D464066S

(12) **United States Design Patent**  
**Smith et al.**

(10) **Patent No.:** **US D464,066 S**

(45) **Date of Patent:** **\*\* Oct. 8, 2002**

(54) **TABLE FOR A TILE SAW**

(75) Inventors: **John Charles Smith**, Jackson, TN (US); **Michael Chad Hollis**, Medina, TN (US); **Leslie Daily Gist**, Jackson, TN (US)

(73) Assignee: **Porter-Cable/Delta**, Jackson, TN (US)

(\*\*) Term: **14 Years**

(21) Appl. No.: **29/138,021**

(22) Filed: **Mar. 5, 2001**

**Related U.S. Application Data**

(63) Continuation-in-part of application No. 09/714,134, filed on Nov. 17, 2000.

(51) **LOC (7) Cl.** ..... **15-09**

(52) **U.S. Cl.** ..... **D15/133; D15/141**

(58) **Field of Search** ..... **D15/133, 141; 83/471.2, 437.1, 372, 698.11, 886; 125/12, 13.01, 13.03, 35; 451/11, 393, 411, 455**

(56) **References Cited**

**U.S. PATENT DOCUMENTS**

- 6,080,041 A \* 6/2000 Greenland ..... 451/13.01
- D442,977 S \* 5/2001 Howard ..... D15/133
- 6,253,757 B1 \* 7/2001 Benson ..... 125/35
- 6,276,990 B1 \* 8/2001 Greenland ..... 451/13.03

\* cited by examiner

*Primary Examiner*—Antoine Duval Davis

(74) *Attorney, Agent, or Firm*—Hunton & Williams

(57) **CLAIM**

The ornamental design for a table for a tile saw, as shown and described.

**DESCRIPTION**

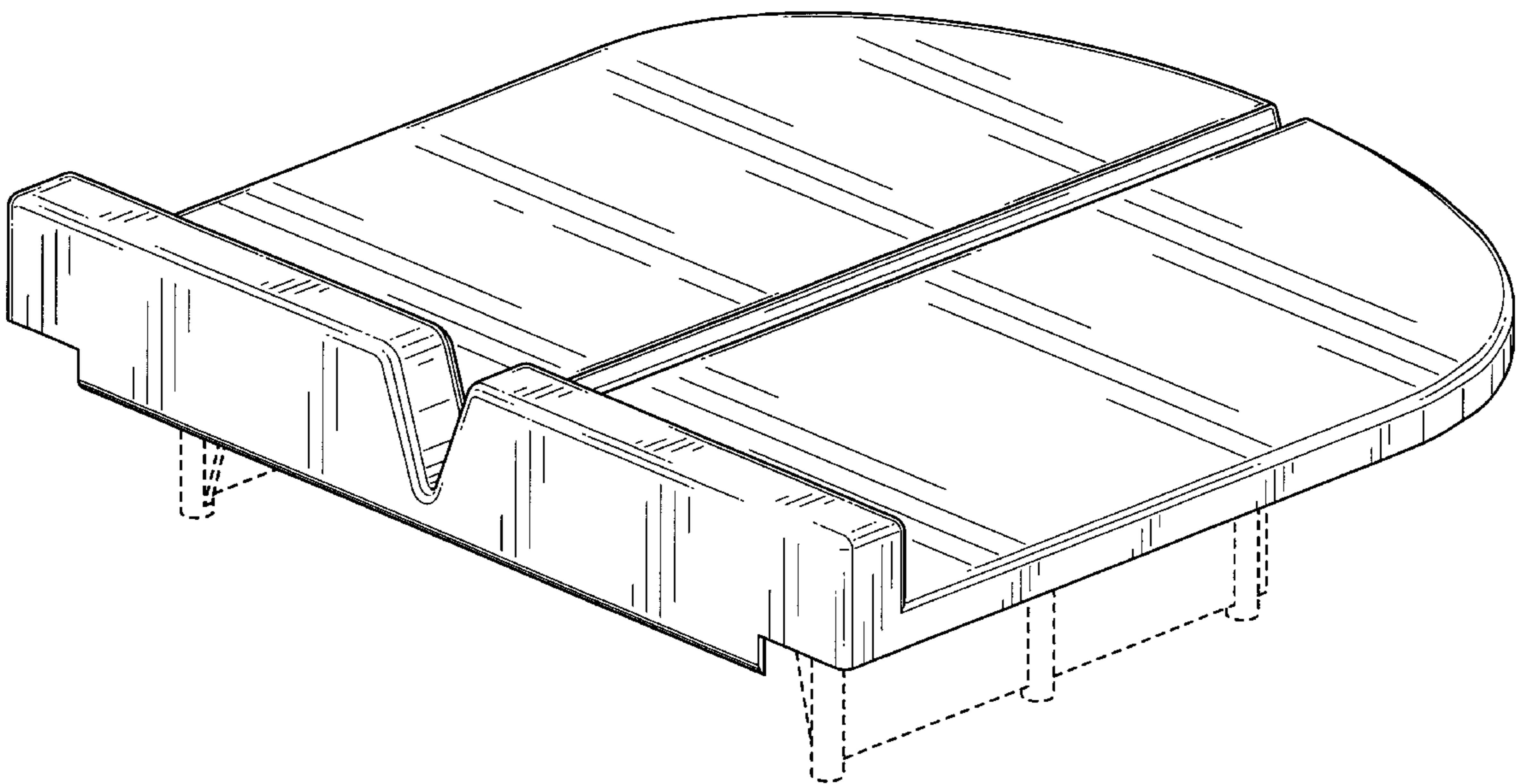
This application is related by subject matter to U.S. patent application Ser. No. 29/138,020 entitled “Arm for a Tile Saw,” and U.S. patent application Ser. No. 29/138,023 entitled “Tub for a Tile Saw”.

FIG. 1 is an isometric view of the table for a tile saw; FIG. 2 is a top view of the table for a tile saw of FIG. 1; FIG. 3 is a side view of the table for a tile saw of FIG. 1; FIG. 4 is a front view of the table for a tile saw of FIG. 1; FIG. 5 is a back view of the table for a tile saw of FIG. 1; and,

FIG. 6 is another isometric view of the table for a tile saw of FIG. 1 shown in its environment.

The broken line illustration of wheel support structure shown in FIGS. 1 and 3–5 is for illustrative purposes only and forms no part of the claimed design. The bottom of the table is not shown and forms no part of the claimed design. The broken line illustration of environmental structure in FIG. 6 is for illustrative purposes only and forms no part of the claimed design.

**1 Claim, 6 Drawing Sheets**



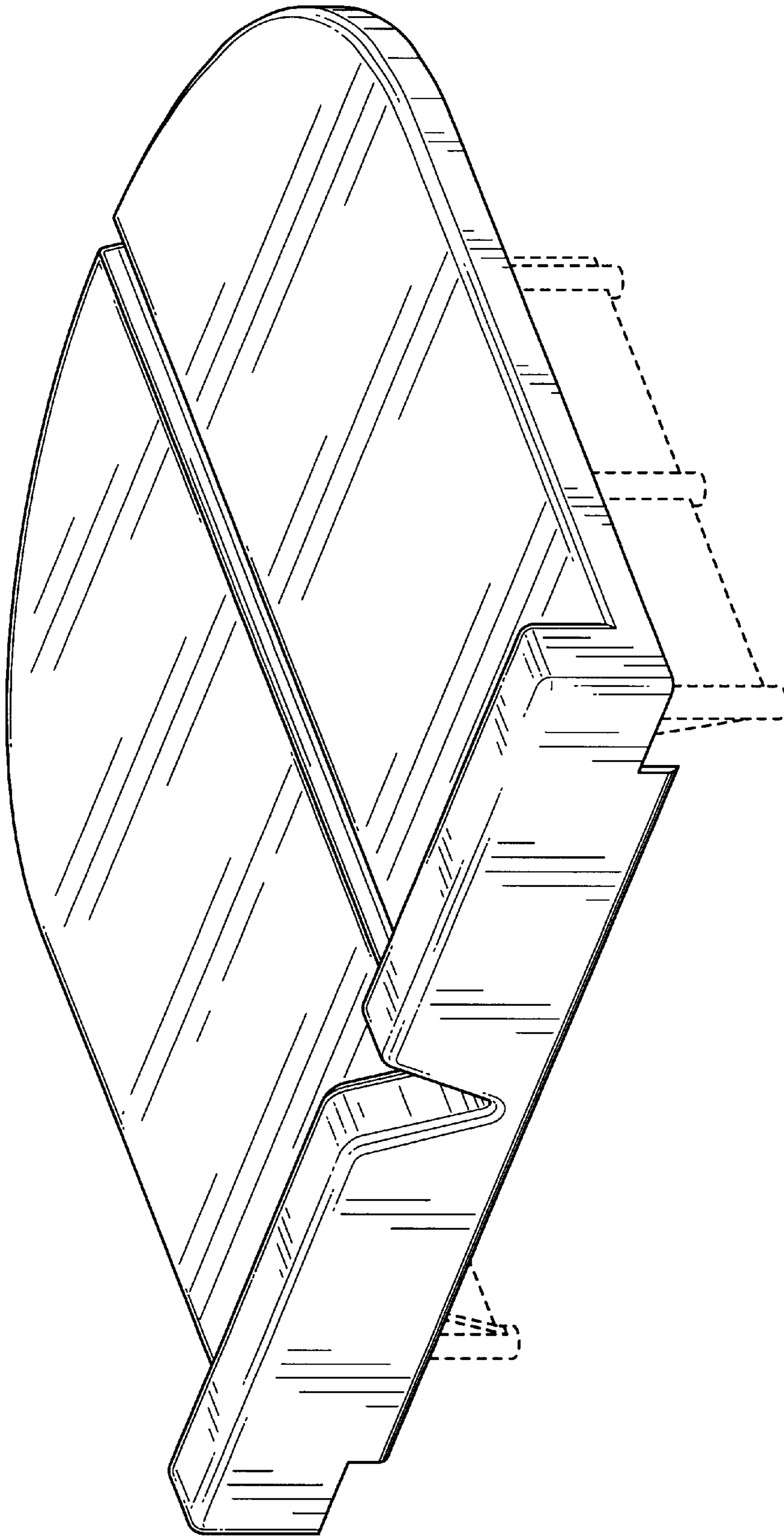


FIG. 1

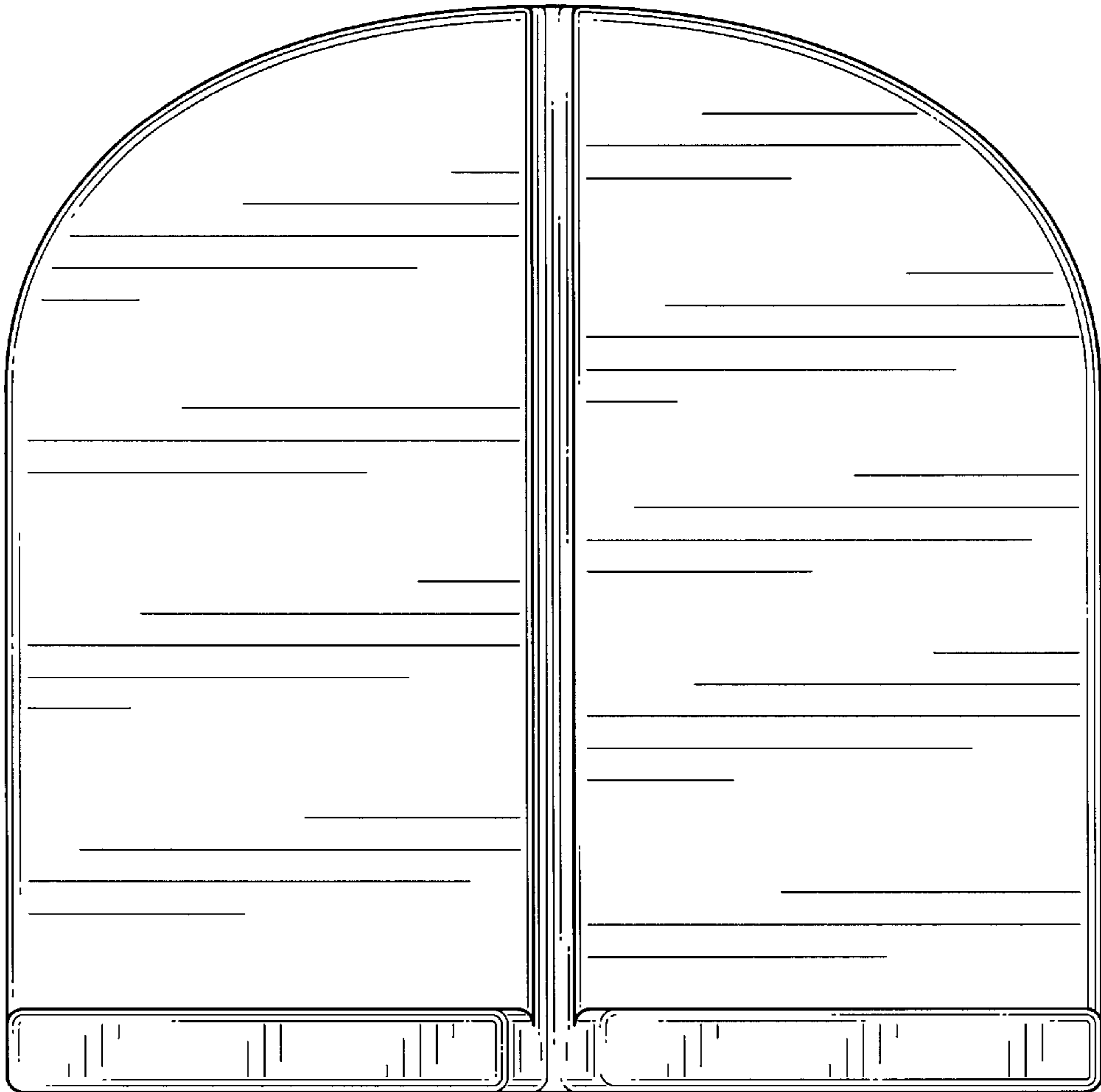


FIG. 2

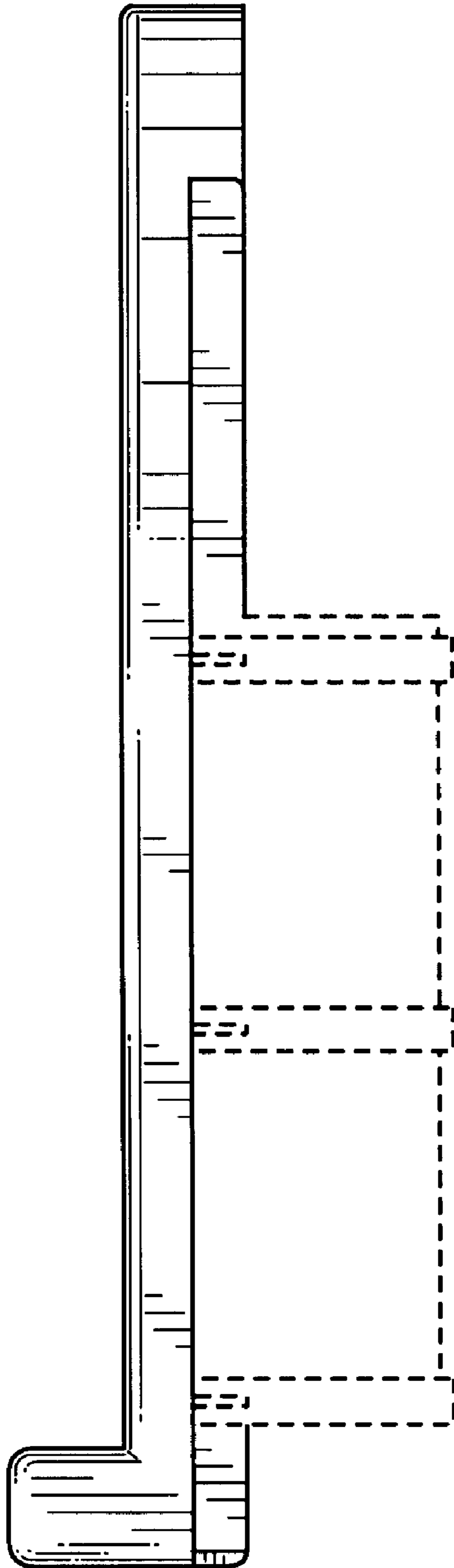


FIG. 3

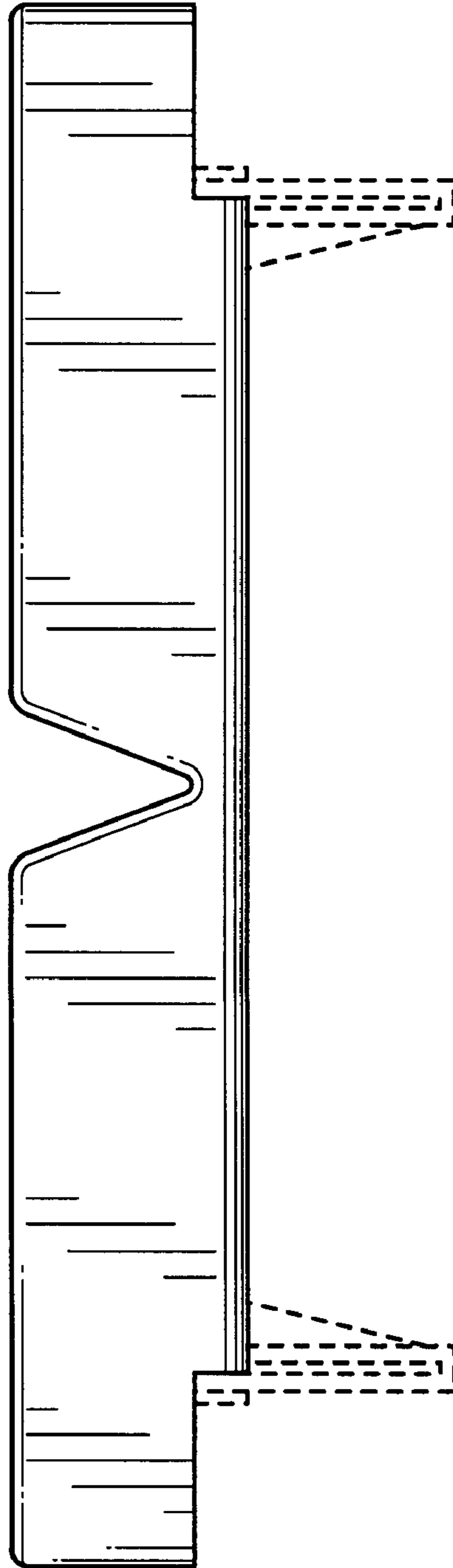


FIG. 4

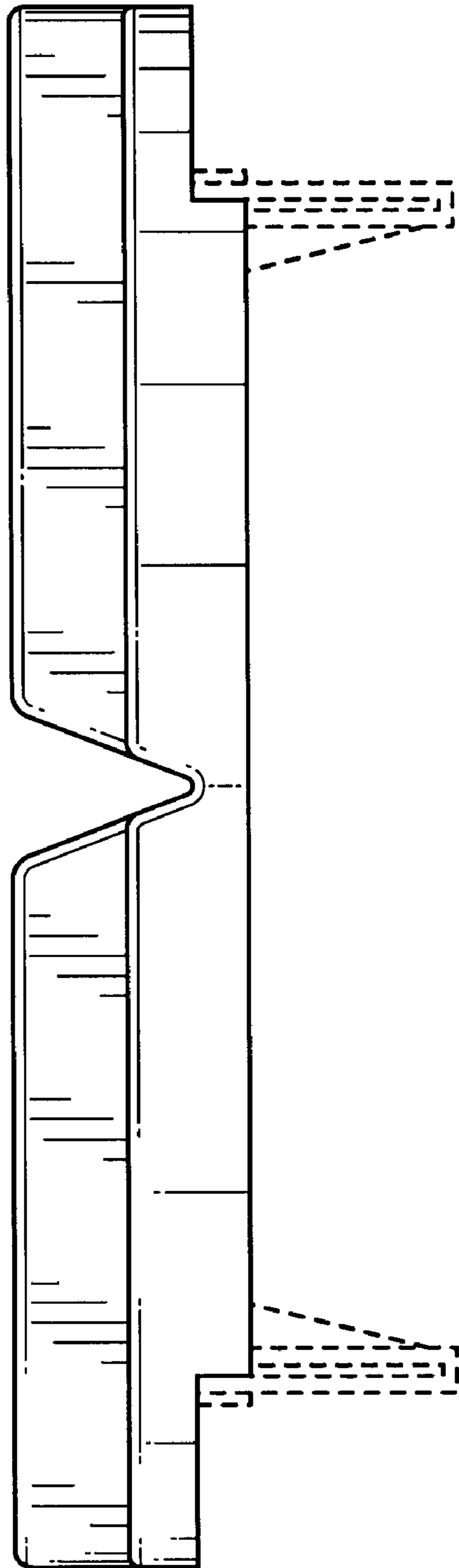


FIG. 5



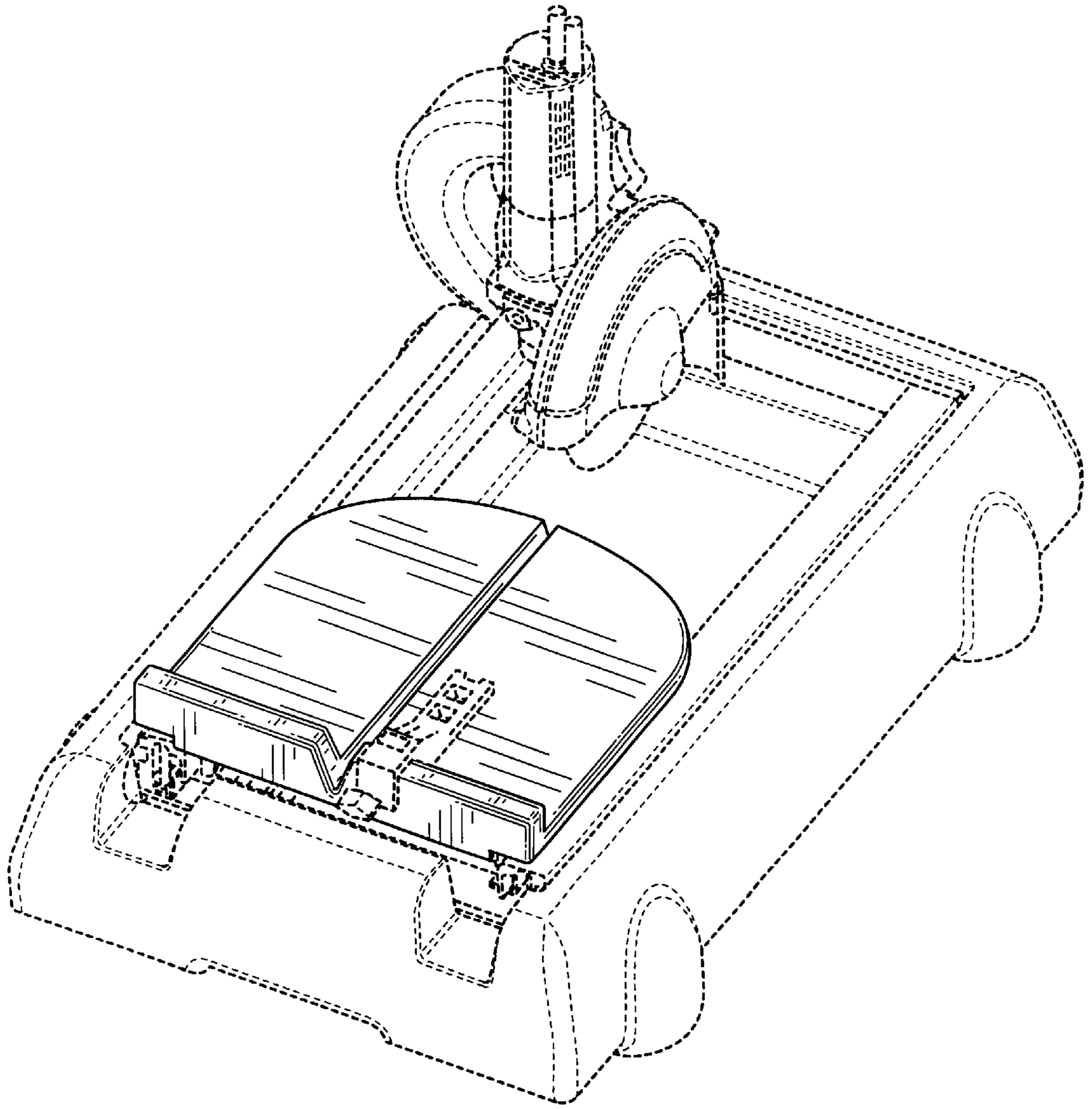


FIG. 6