



US00D464065S

(12) **United States Design Patent**  
**Schmodde**

(10) **Patent No.:** **US D464,065 S**

(45) **Date of Patent:** **\*\* Oct. 8, 2002**

(54) **YARN FEEDING DEVICE FOR TEXTILE MACHINES**

D399,855 S \* 10/1998 Ito ..... D15/78

\* cited by examiner

(75) Inventor: **Hermann Schmodde**, Horb-Dettlingen (DE)

*Primary Examiner*—Mitchell Siegel

(73) Assignee: **Memminger-IRO GmbH**, Dornstetten (DE)

(74) *Attorney, Agent, or Firm*—Frishauf, Holtz, Goodman, Langer & Chick

(\*\*) Term: **14 Years**

(57) **CLAIM**

The ornamental design for a yarn feeding device for textile machines, as shown and described.

(21) Appl. No.: **29/128,658**

**DESCRIPTION**

(22) Filed: **Aug. 29, 2000**

The file of this patent contains at least one drawing executed in color. Copies of this patent with color drawings(s) will be provided by the Patent and Trademark Office upon request and payment of the necessary fee.

(30) **Foreign Application Priority Data**

Feb. 29, 2000 (DE) ..... 4 00 02 324

FIG. 1 is a perspective view showing my new design;

(51) **LOC (7) Cl.** ..... **15-06**

FIG. 2 is right side view thereof;

(52) **U.S. Cl.** ..... **D15/78**

FIG. 3 is a left side view thereof;

(58) **Field of Search** ..... D15/72, 69, 78; 139/452; 242/47.01–47.03, 47.12, 128

FIG. 4 is a front view thereof;

FIG. 5 is a rear view thereof;

FIG. 6 is a top view thereof; and,

FIG. 7 is a bottom view thereof.

(56) **References Cited**

**U.S. PATENT DOCUMENTS**

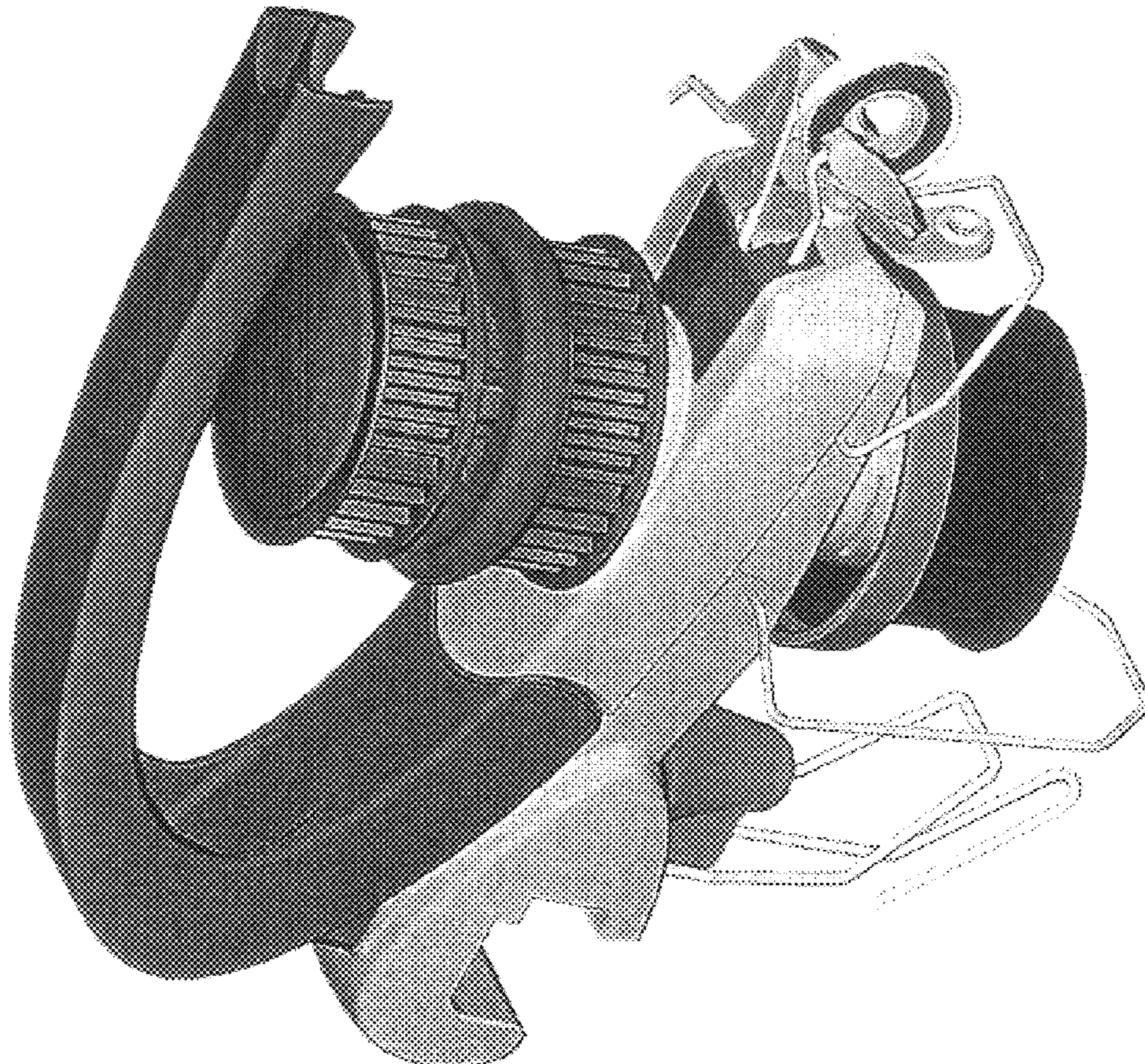
D309,315 S \* 7/1990 Maina ..... D15/78

D309,614 S \* 7/1990 Maina ..... D15/78

D315,914 S \* 4/1991 Chen ..... D15/72

**1 Claim, 7 Drawing Sheets**

**(7 of 7 Drawing Sheet(s) Filed in Color)**



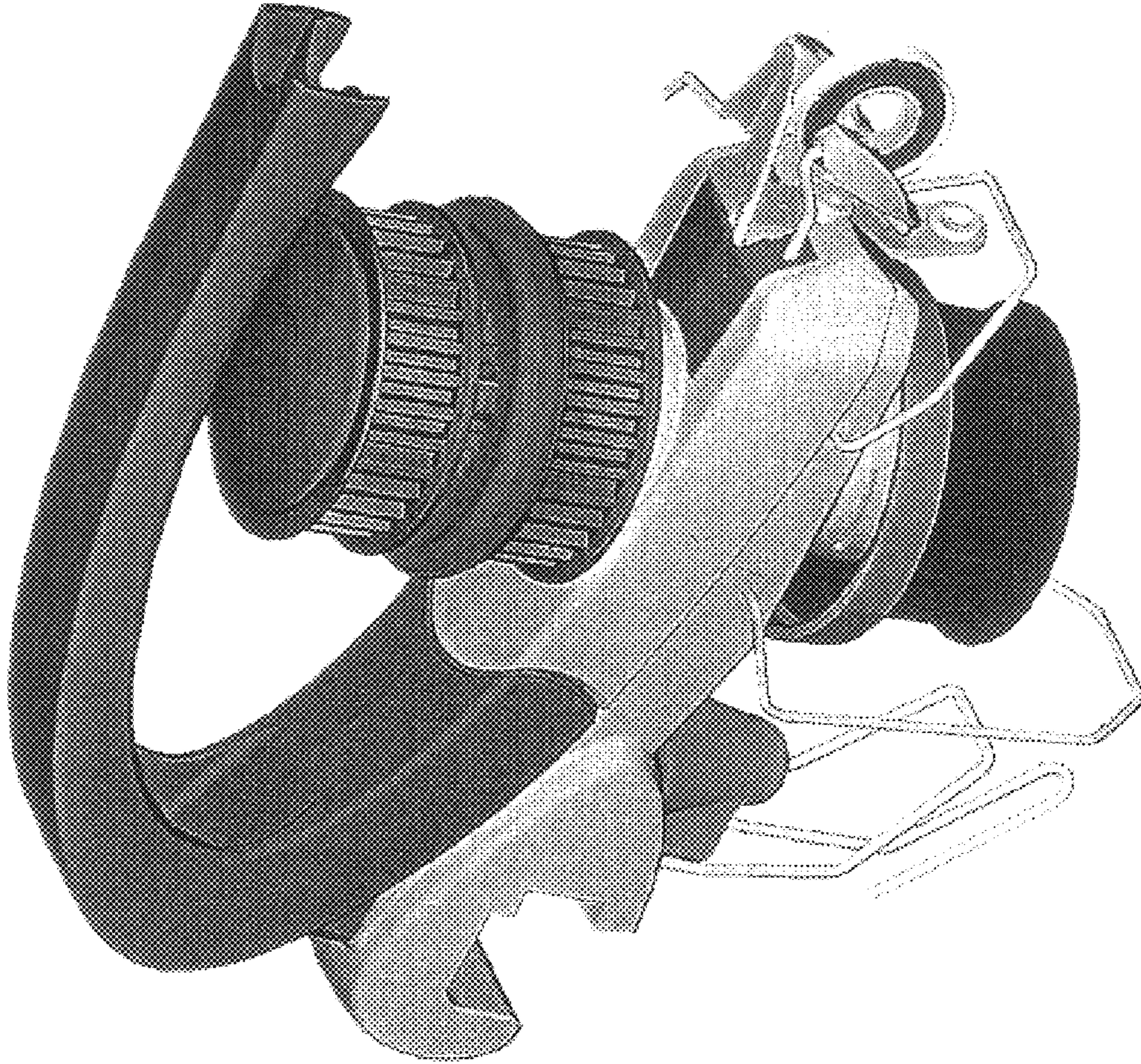


FIG. 1

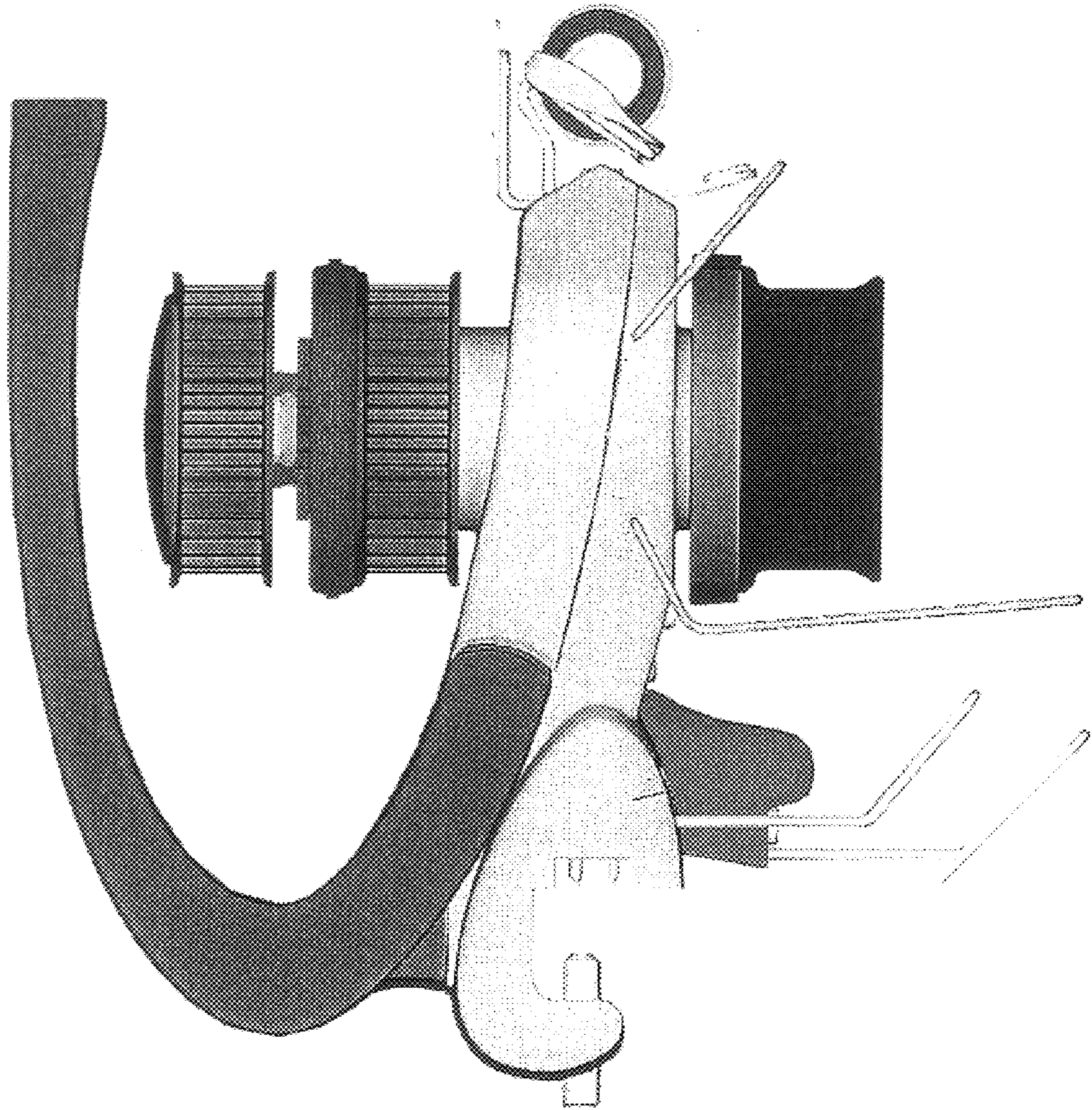


FIG. 2

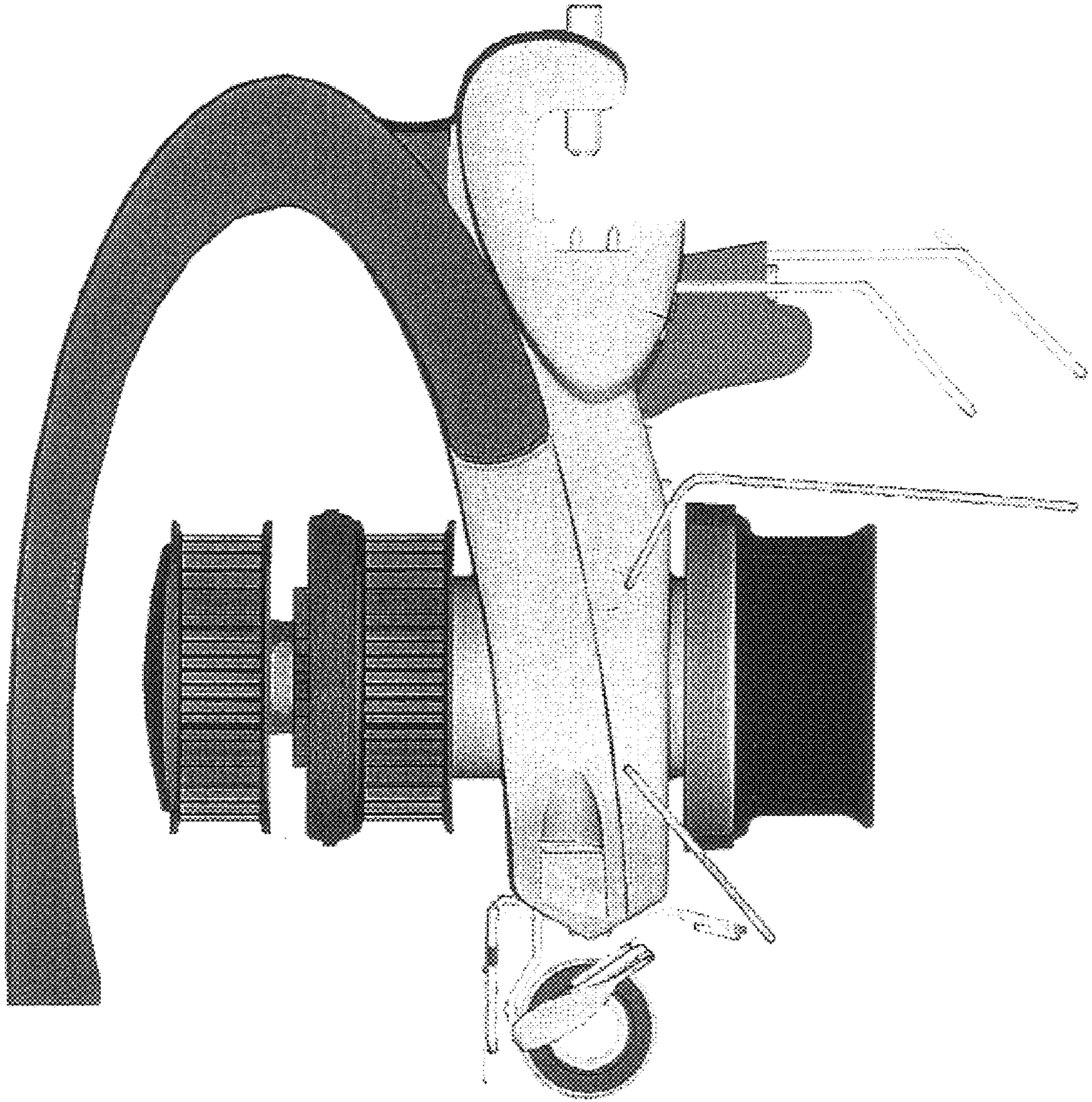


FIG. 3

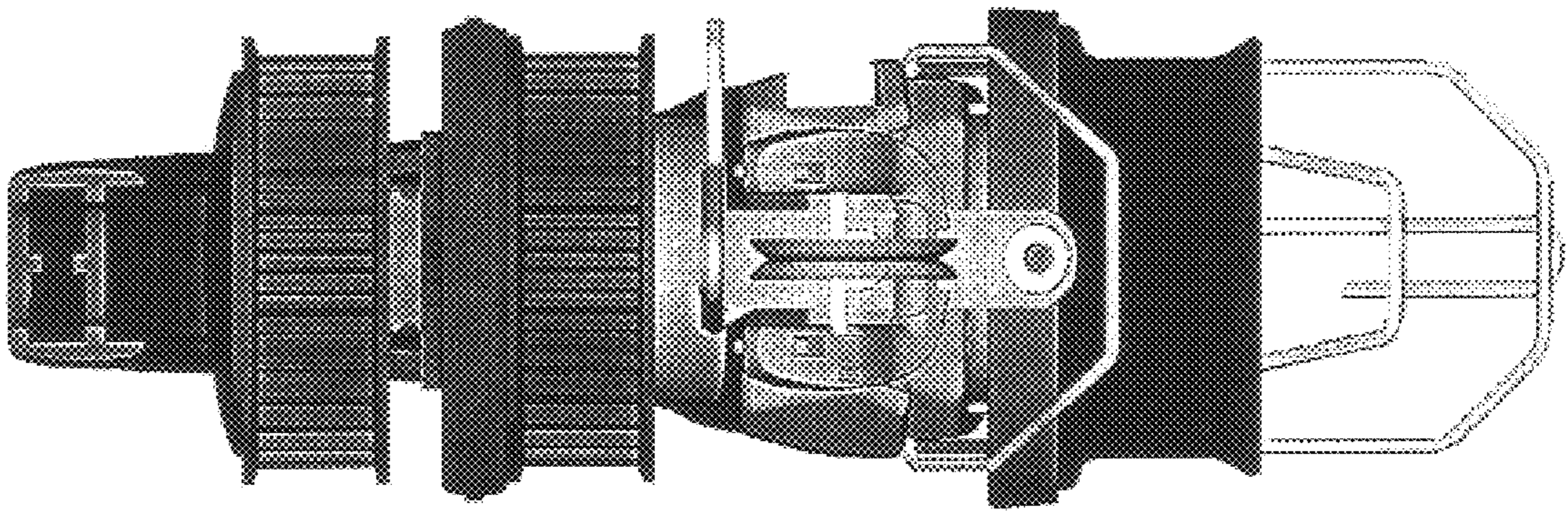


FIG. 4

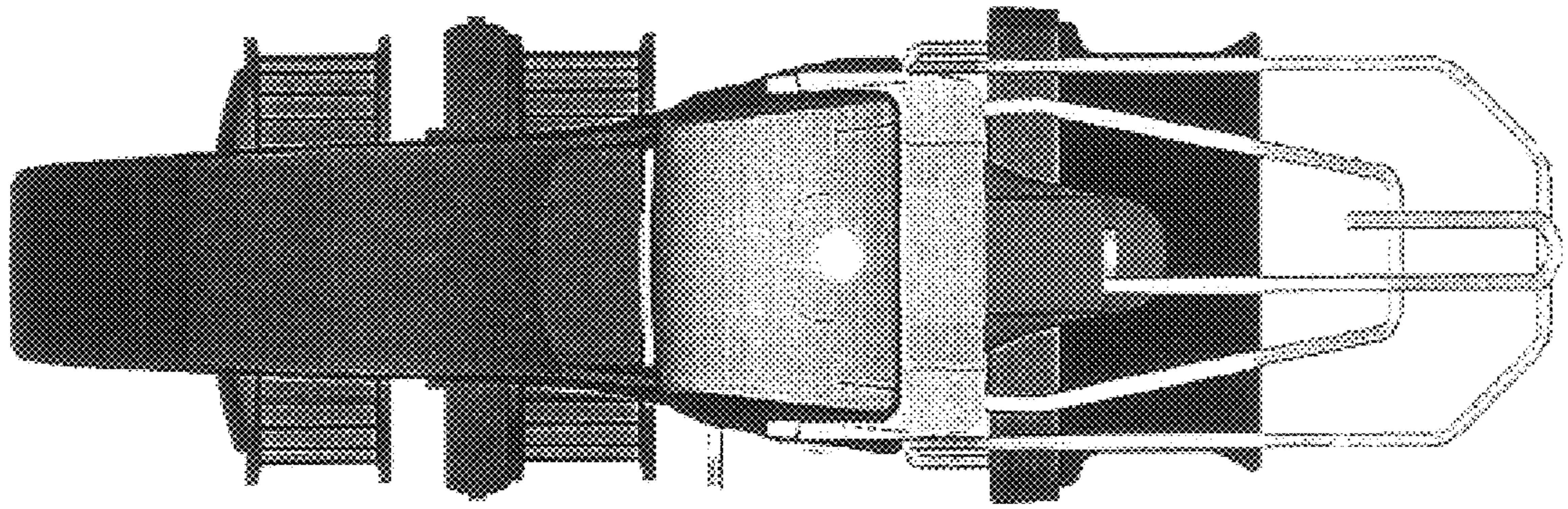


FIG. 5

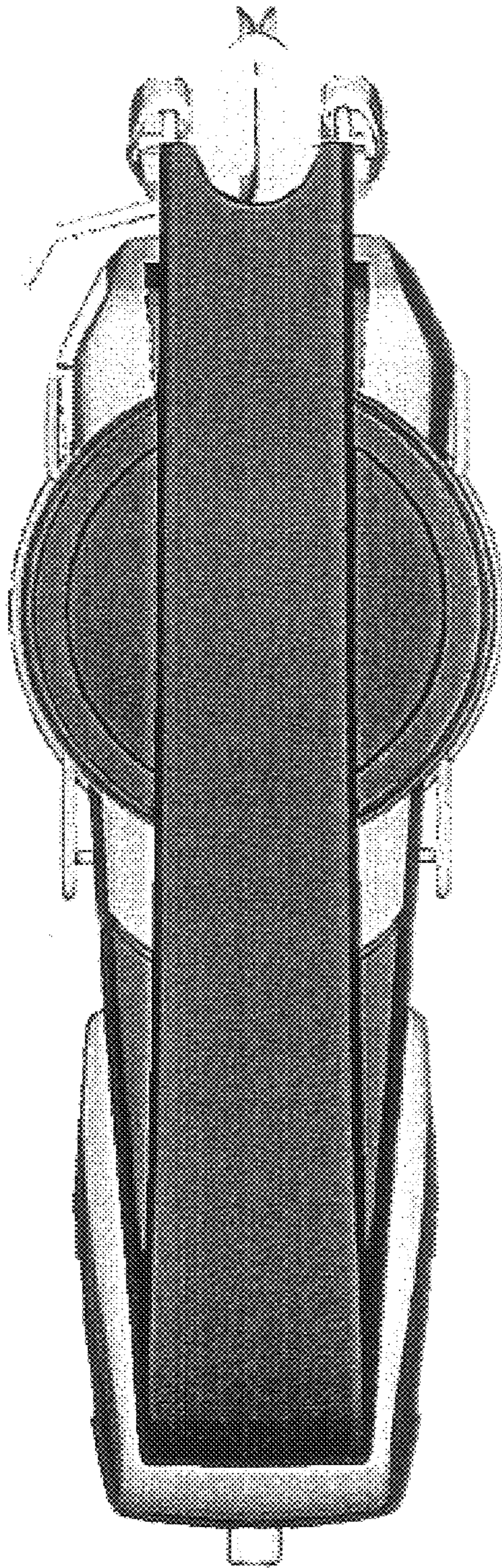


FIG. 6

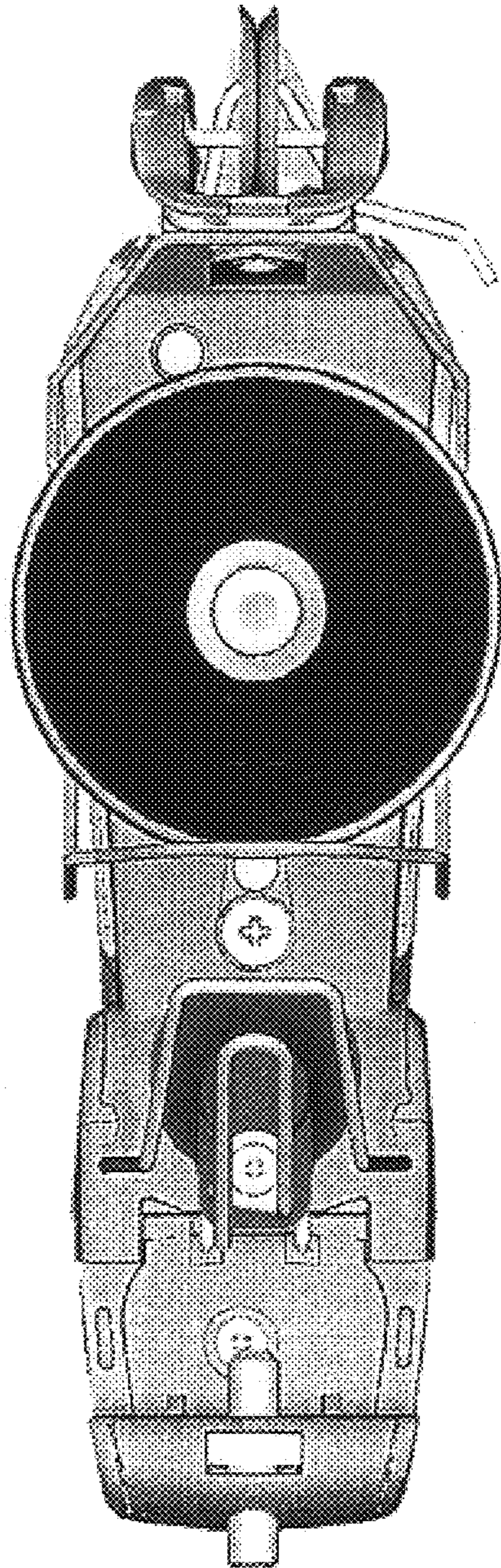


FIG. 7