



US00D464064S

(12) **United States Design Patent**
Tsunoda

(10) **Patent No.:** **US D464,064 S**

(45) **Date of Patent:** **** Oct. 8, 2002**

(54) **PISTON FOR REFRIGERANT COMPRESSORS**

(75) Inventor: **Masataka Tsunoda, Isesaki (JP)**

(73) Assignee: **Sanden Corporation, Gunma (JP)**

(**) Term: **14 Years**

(21) Appl. No.: **29/152,368**

(22) Filed: **Dec. 20, 2001**

Related U.S. Application Data

(62) Division of application No. 29/129,342, filed on Sep. 14, 2000, now Pat. No. Des. 454,888.

(51) **LOC (7) Cl.** **15-02**

(52) **U.S. Cl.** **D15/9**

(58) **Field of Search** D15/5-9; 417/545, 417/222.1, 266, 273, 269; 91/505; 92/71, 12.2, 165 R; 74/60

(56) **References Cited**

U.S. PATENT DOCUMENTS

5,461,967 A * 10/1995 Burkett et al. 92/71
5,490,767 A * 2/1996 Kanou et al. 417/222.1

D371,562 S * 7/1996 Rushfeldt D15/7
D402,295 S 12/1998 Kayukawa et al.
D417,225 S 11/1999 Kimura et al.
5,988,041 A 11/1999 Hiramatsu et al.
D417,876 S * 12/1999 Kayukawa et al. D15/9
D436,113 S * 1/2001 Kayukawa et al. D15/7
D447,150 S 8/2001 Miyazawa et al.

* cited by examiner

Primary Examiner—Ralf Seifert

(74) *Attorney, Agent, or Firm*—Baker Botts LLP

(57) **CLAIM**

The ornamental design for a piston for refrigerant compressors, as shown.

DESCRIPTION

FIG. 1 is a front elevational view of a piston for refrigerant compressors showing my new design;
FIG. 2 is a rear elevational view;
FIG. 3 is a left side elevational view;
FIG. 4 is a top plan view;
FIG. 5 is a bottom plan view;
FIG. 6 is a cross-sectional view taken along the line 6—6 of FIG. 1; and,
FIG. 7 is a perspective view.

1 Claim, 4 Drawing Sheets

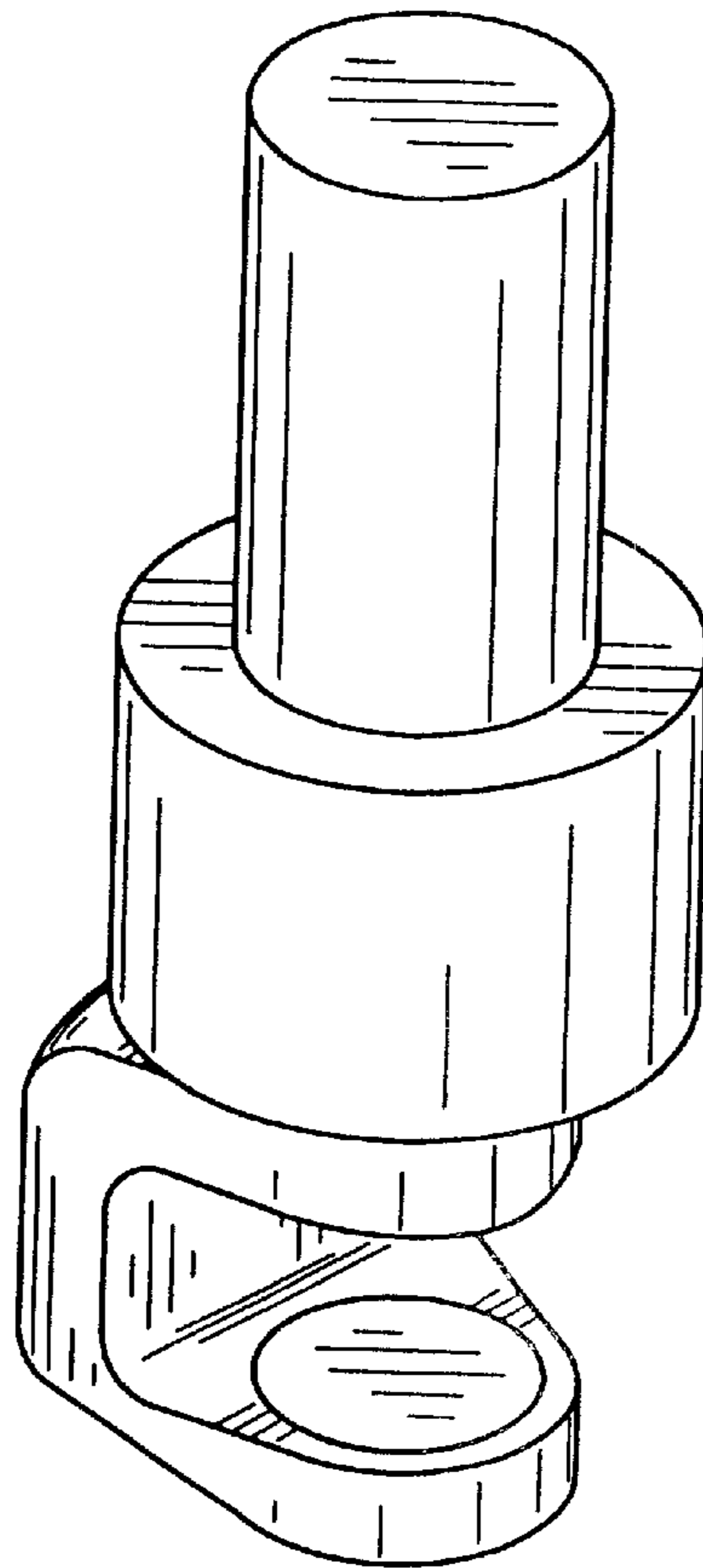


FIG. 1

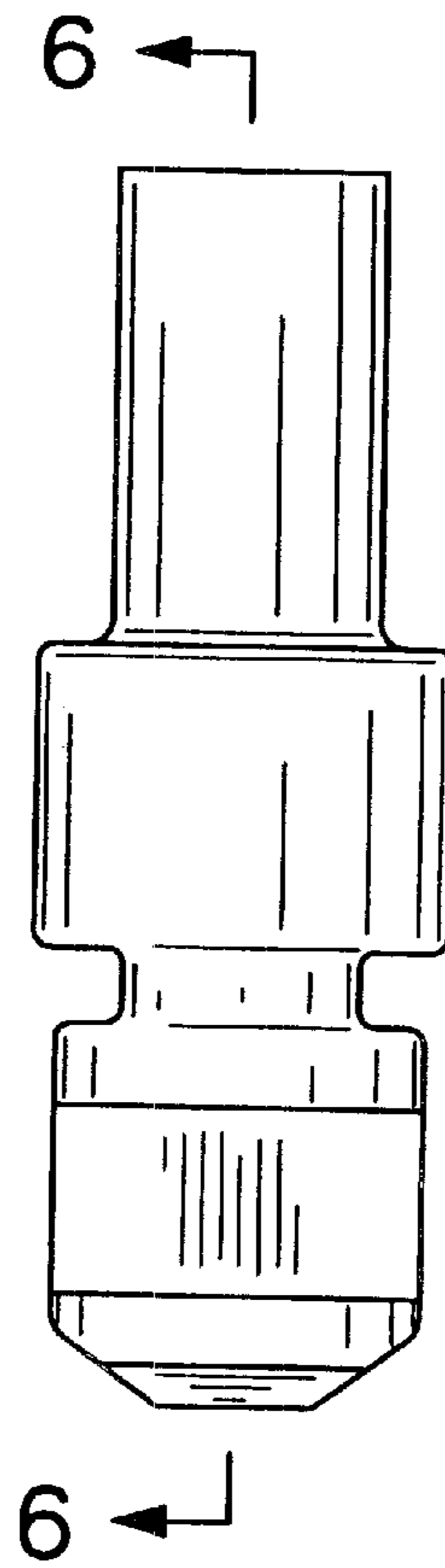


FIG. 2

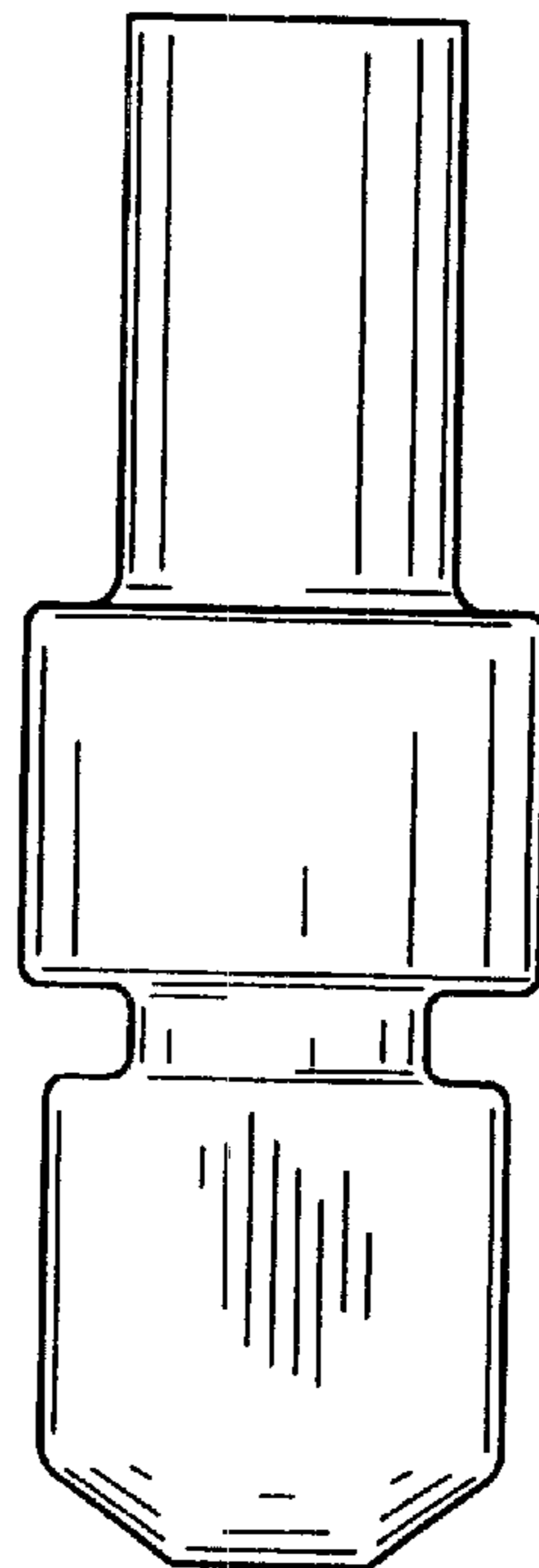


FIG. 3

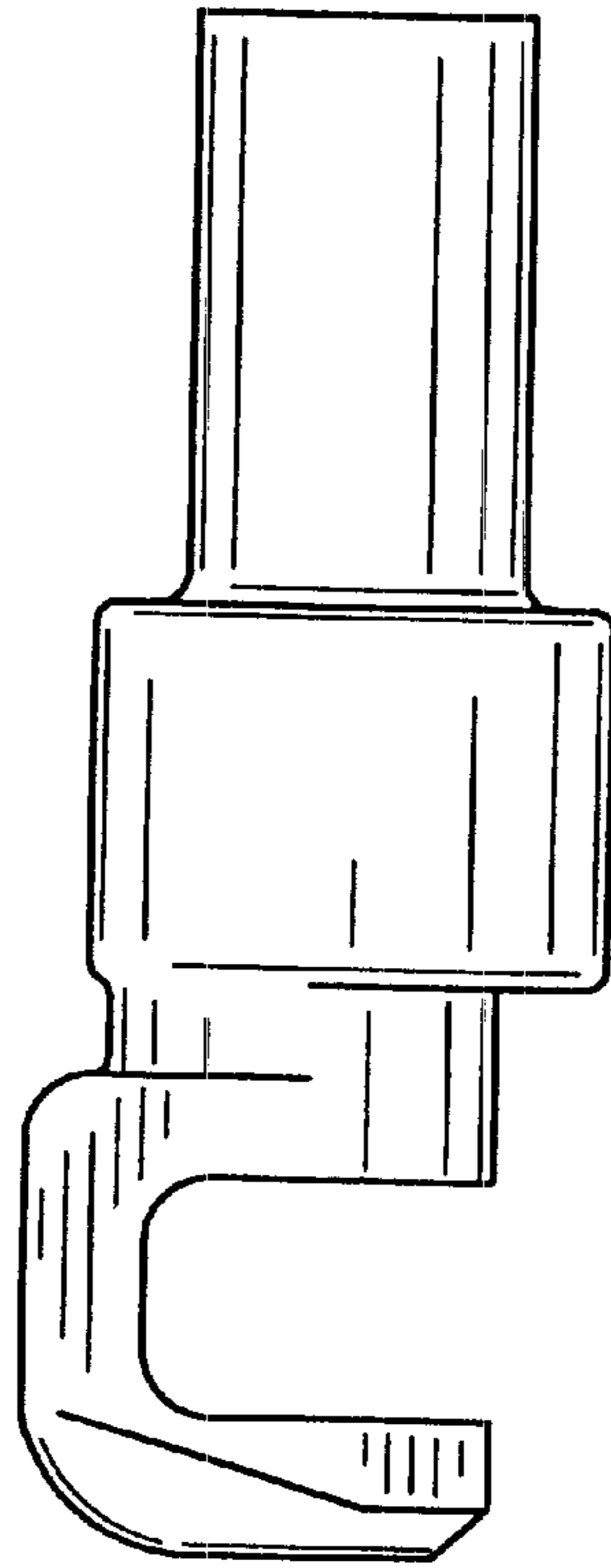


FIG. 4

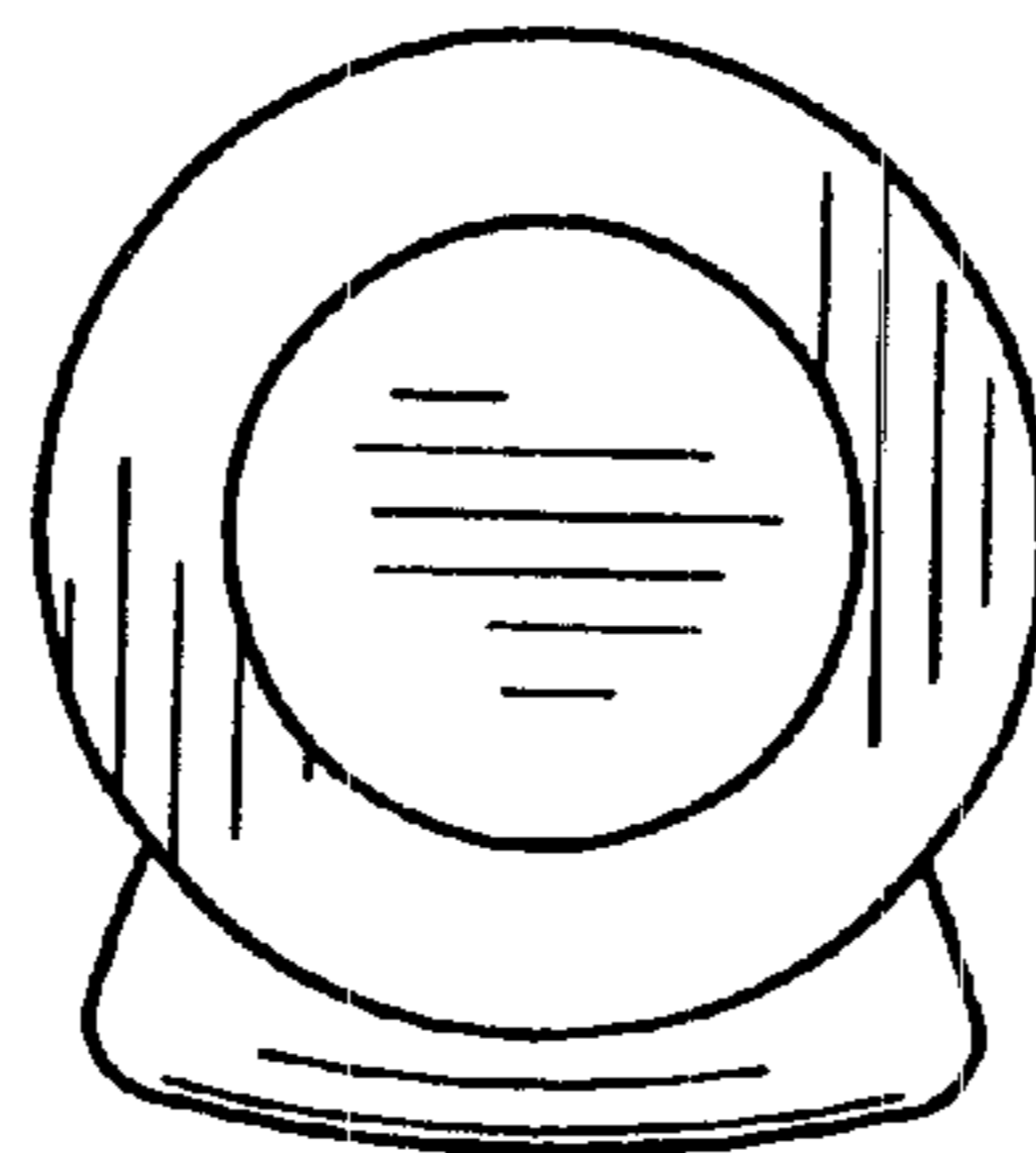


FIG. 5

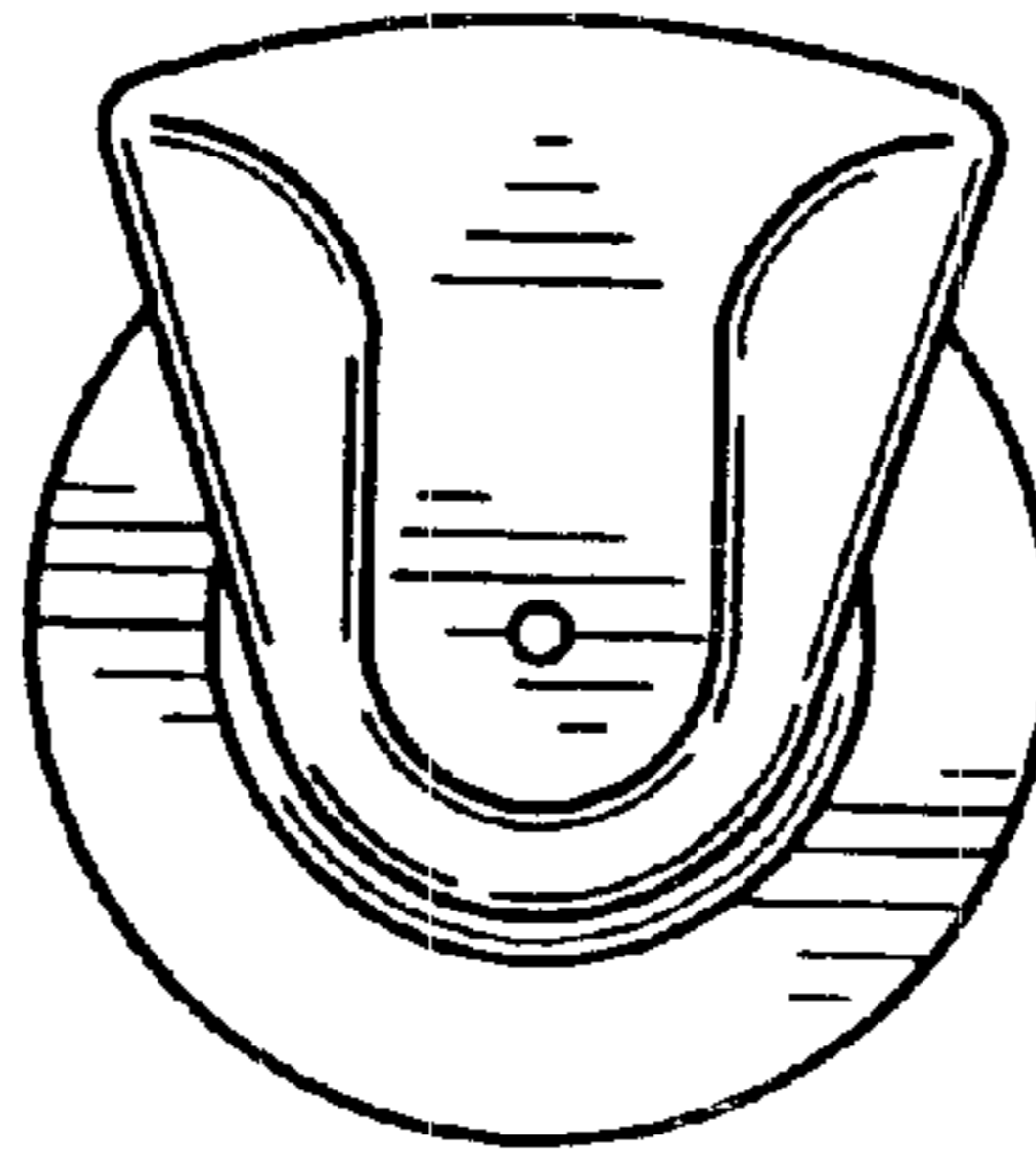


FIG. 6

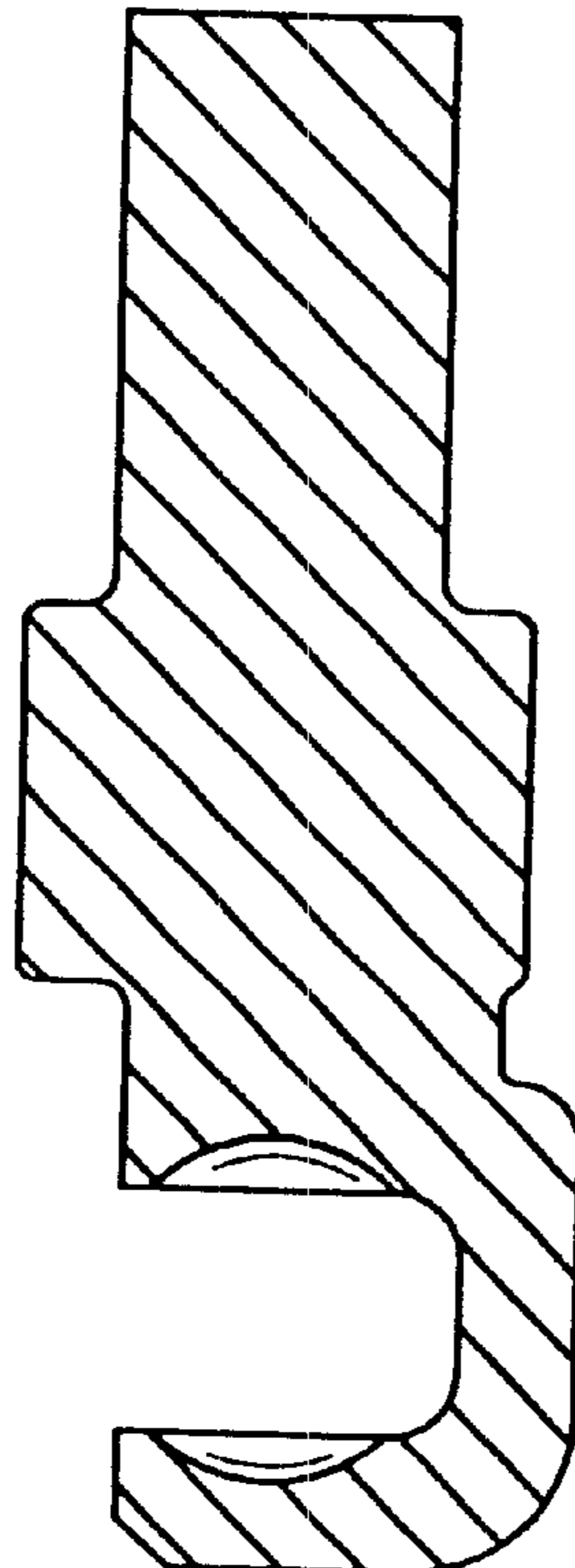


FIG. 7

