



US00D464063S

(12) **United States Design Patent**
Thomas, Jr. et al.

(10) **Patent No.:** **US D464,063 S**
(45) **Date of Patent:** **** Oct. 8, 2002**

(54) **COMPRESSOR**

OTHER PUBLICATIONS

(75) Inventors: **Delbert L. Thomas, Jr.**, Watervliet, MI (US); **Lorraine Joan Westlake**, Eau Claire, MI (US)

Gast Manufacturing, Inc., catalog sheets (four).
Thomas Industries, Inc., catalog sheets (nine).

* cited by examiner

(73) Assignee: **Gast Manufacturing, Inc.**, Benton Harbor, MI (US)

Primary Examiner—Ralf Seifert
(74) *Attorney, Agent, or Firm*—Barnes & Thornburg

(**) Term: **14 Years**

(57) **CLAIM**

(21) Appl. No.: **29/141,677**

The ornamental design for a compressor, as shown and described.

(22) Filed: **May 10, 2001**

DESCRIPTION

Related U.S. Application Data

(63) Continuation-in-part of application No. 29/121,087, filed on Apr. 3, 2000, now Pat. No. Des. 444,799.

(51) **LOC (7) Cl.** **15-02**

(52) **U.S. Cl.** **D15/9**

(58) **Field of Search** D15/7-9.1; D23/259;
138/33; 285/24, 156, 8, 148.13, 41, 61,
125, 155, 292, 382, 423; 137/208; 221/61;
417/234, 368

FIG. 1 is a perspective view of the compressor of our invention.

FIG. 2 is an end elevational view of the compressor of FIG. 1 taken from the left end of FIG. 1.

FIG. 3 is a side elevational view of the compressor of FIG. 1. The opposite side view is substantially identical.

FIG. 4 is a top plan view of the compressor of FIG. 1.

FIG. 5 is a bottom plan view of the compressor of FIG. 1.

FIG. 6 is an end elevational view of the compressor of FIG. 1 taken from the right end of FIG. 1.

FIG. 7 is a perspective view of another embodiment of the compressor of our invention.

FIG. 8 is an elevational view of the compressor of FIG. 7 taken from the left end of FIG. 7.

FIG. 9 is a side elevational view of the compressor of FIG. 7. The opposite view is substantially identical.

FIG. 10 is a top plan view of the compressor of FIG. 7.

FIG. 11 is a bottom plan view of the compressor of FIG. 7; and,

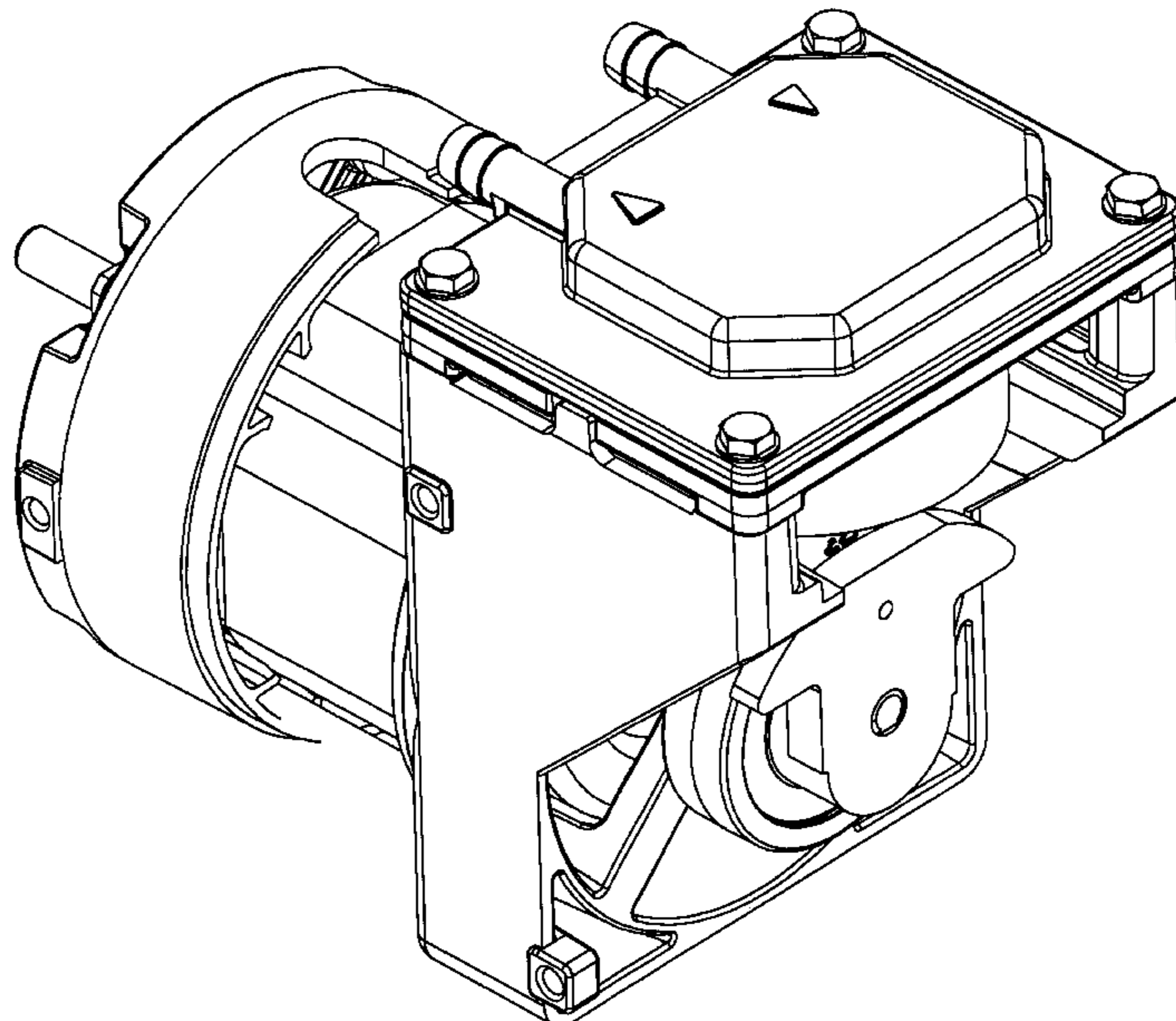
FIG. 12 is an end elevational view of the compressor of FIG. 7 taken from the right end of FIG. 7.

(56) **References Cited**

U.S. PATENT DOCUMENTS

| | | | | | |
|------------|---|---------|--------------------|-------|-------|
| D262,113 S | * | 12/1981 | Durum | | D15/7 |
| D273,789 S | | 5/1984 | Davis | | |
| D293,682 S | | 1/1988 | Liou | | |
| D373,774 S | | 9/1996 | Chen | | |
| D376,370 S | | 12/1996 | Davis et al. | | |
| D377,938 S | * | 2/1997 | Rozek | | D15/9 |
| D394,068 S | | 5/1998 | Pollrich et al. | | |
| D435,050 S | * | 12/2000 | Wise et al. | | D15/9 |
| D438,875 S | * | 3/2001 | Rozek | | D15/7 |
| D442,607 S | * | 5/2001 | Bauck | | D15/7 |
| D444,799 S | * | 7/2001 | Thomas, Jr. et al. | | D15/9 |

1 Claim, 12 Drawing Sheets



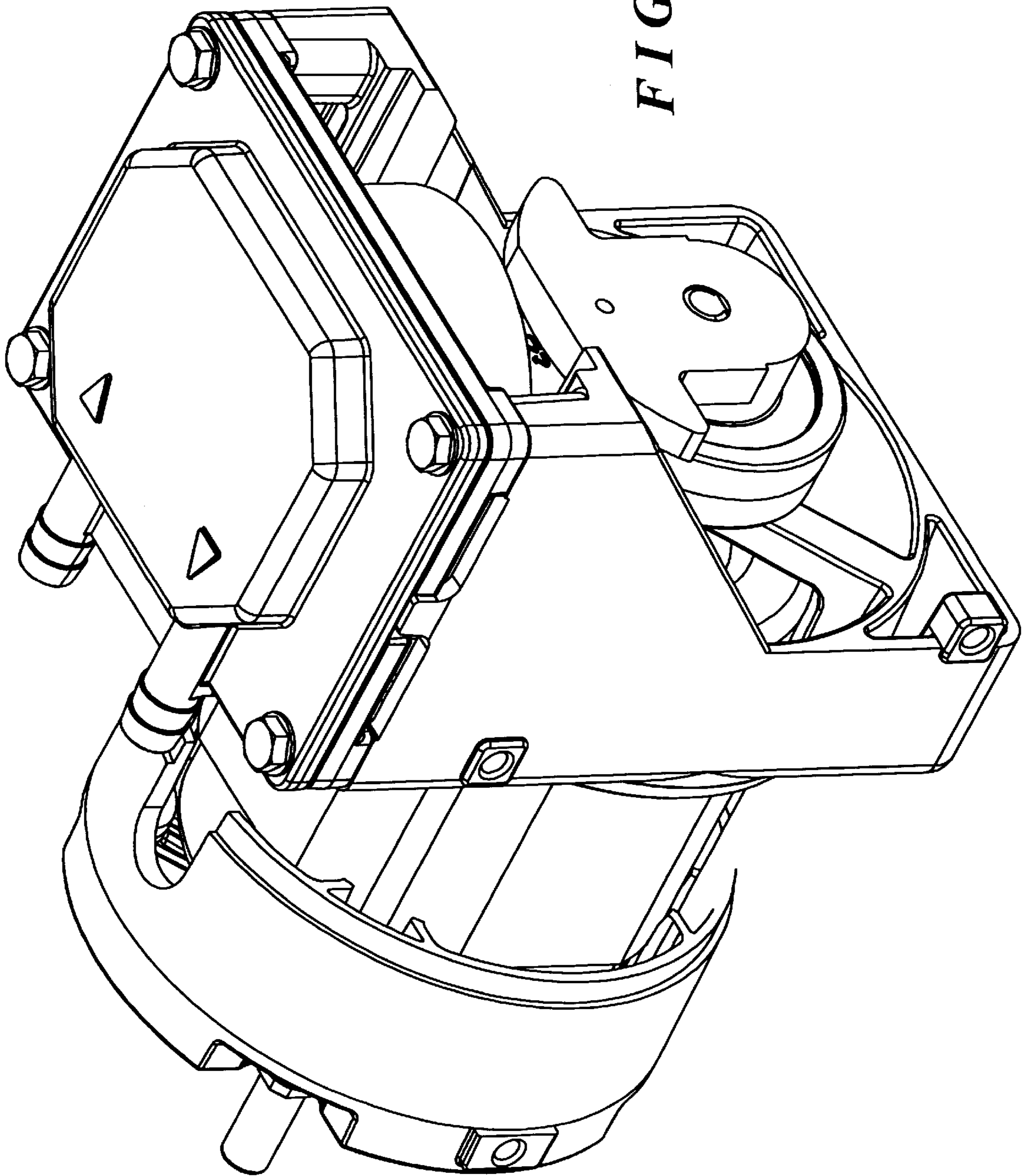
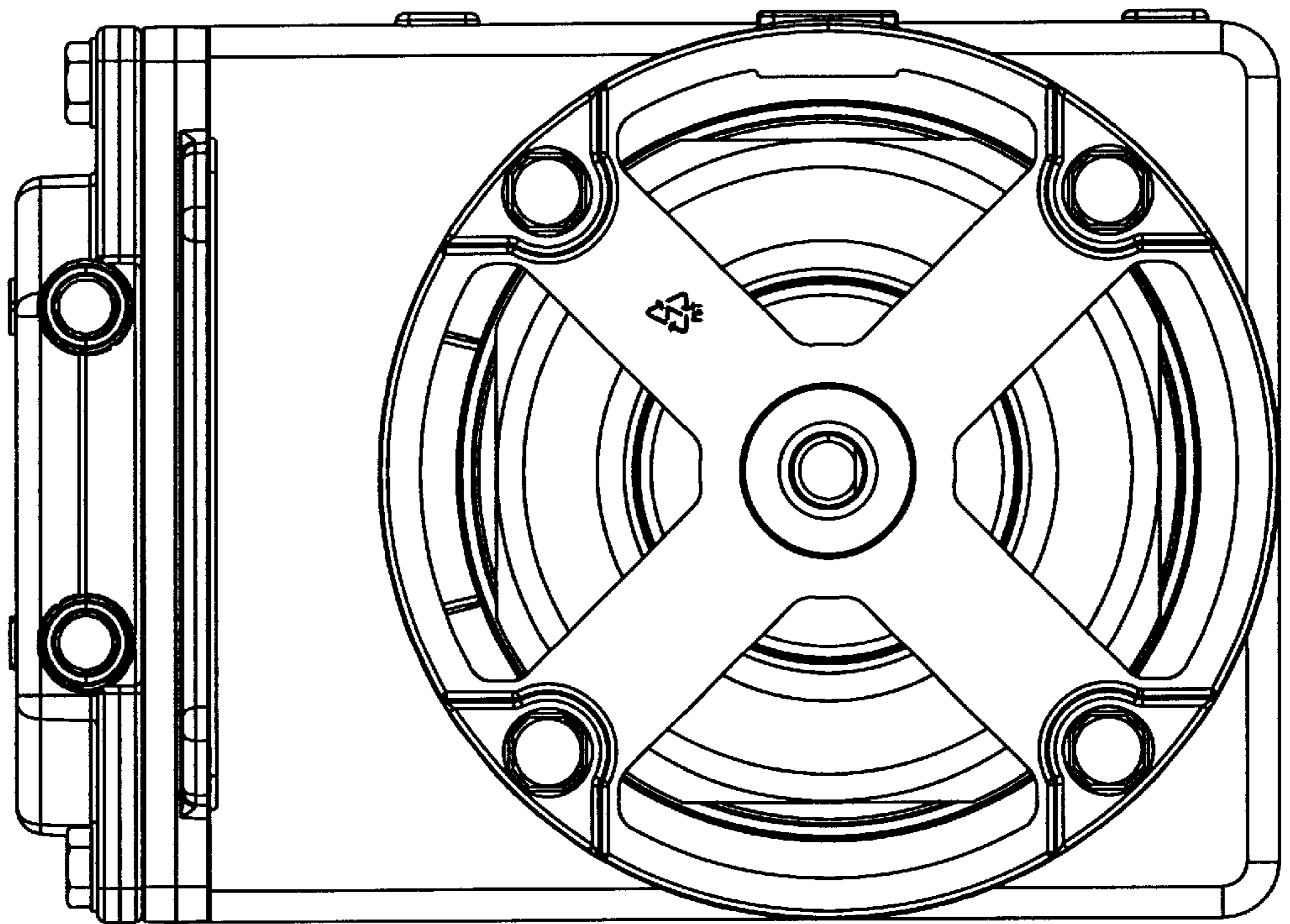


FIG. 1

FIG. 2



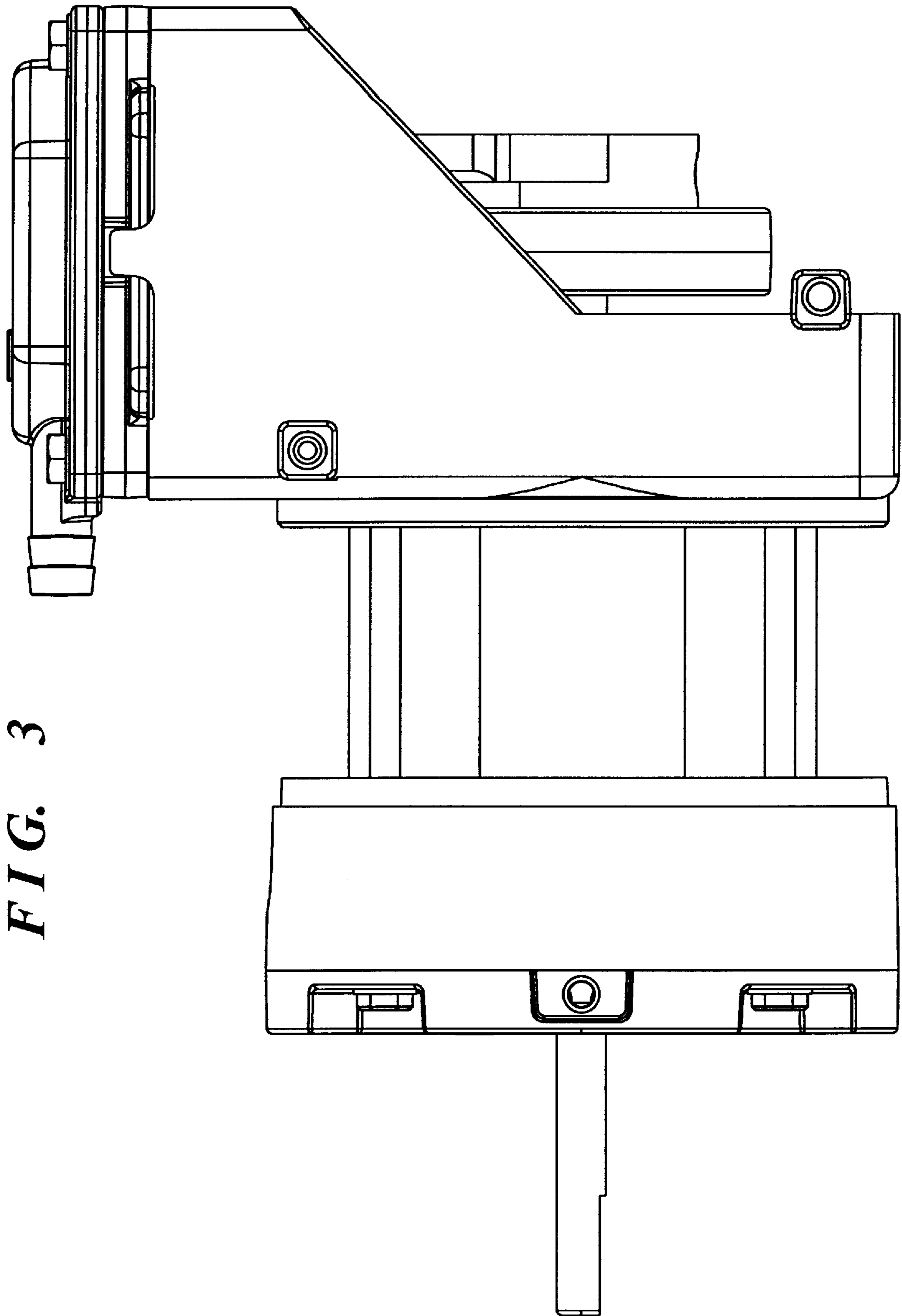


FIG. 4

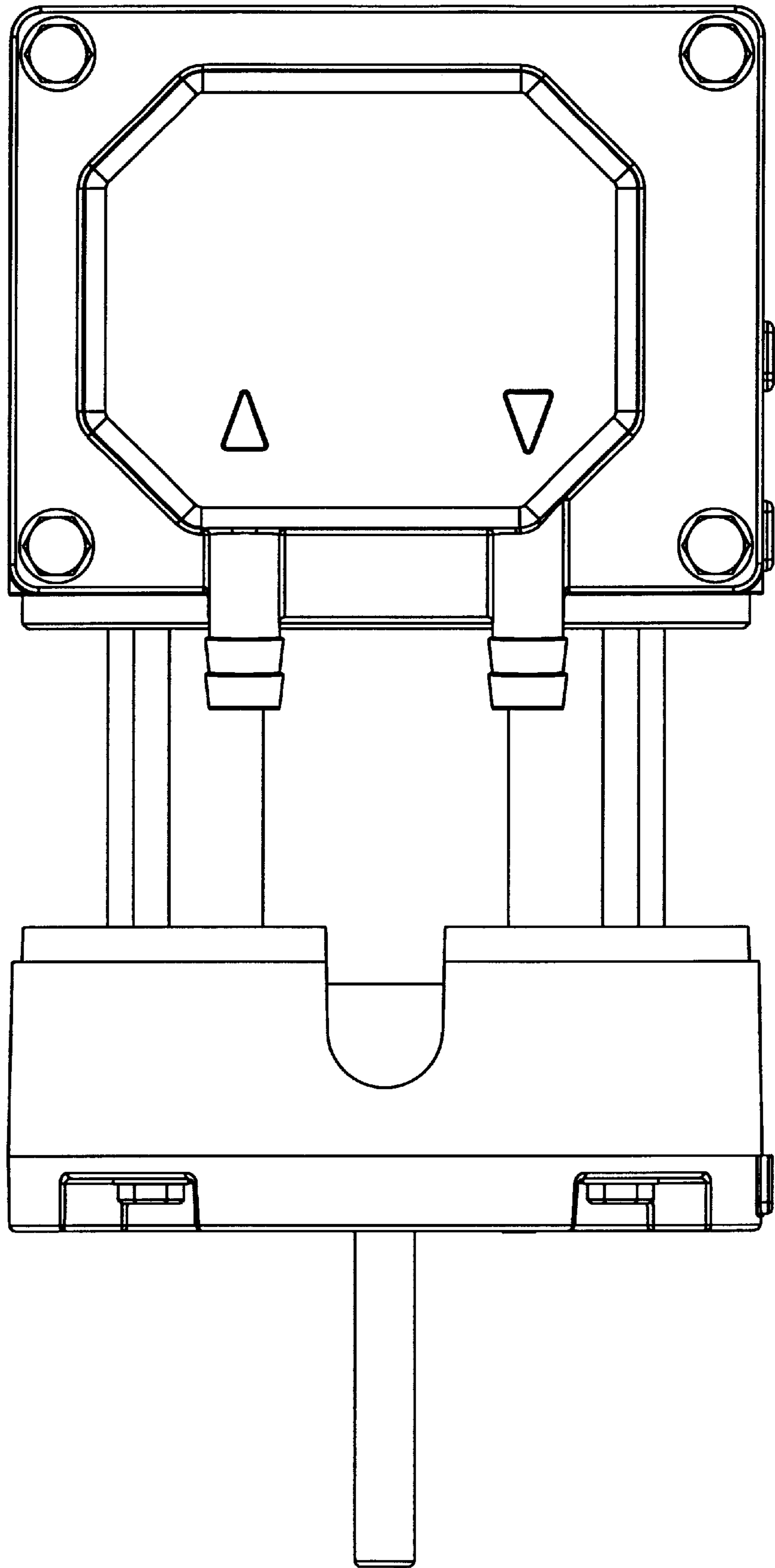


FIG. 5

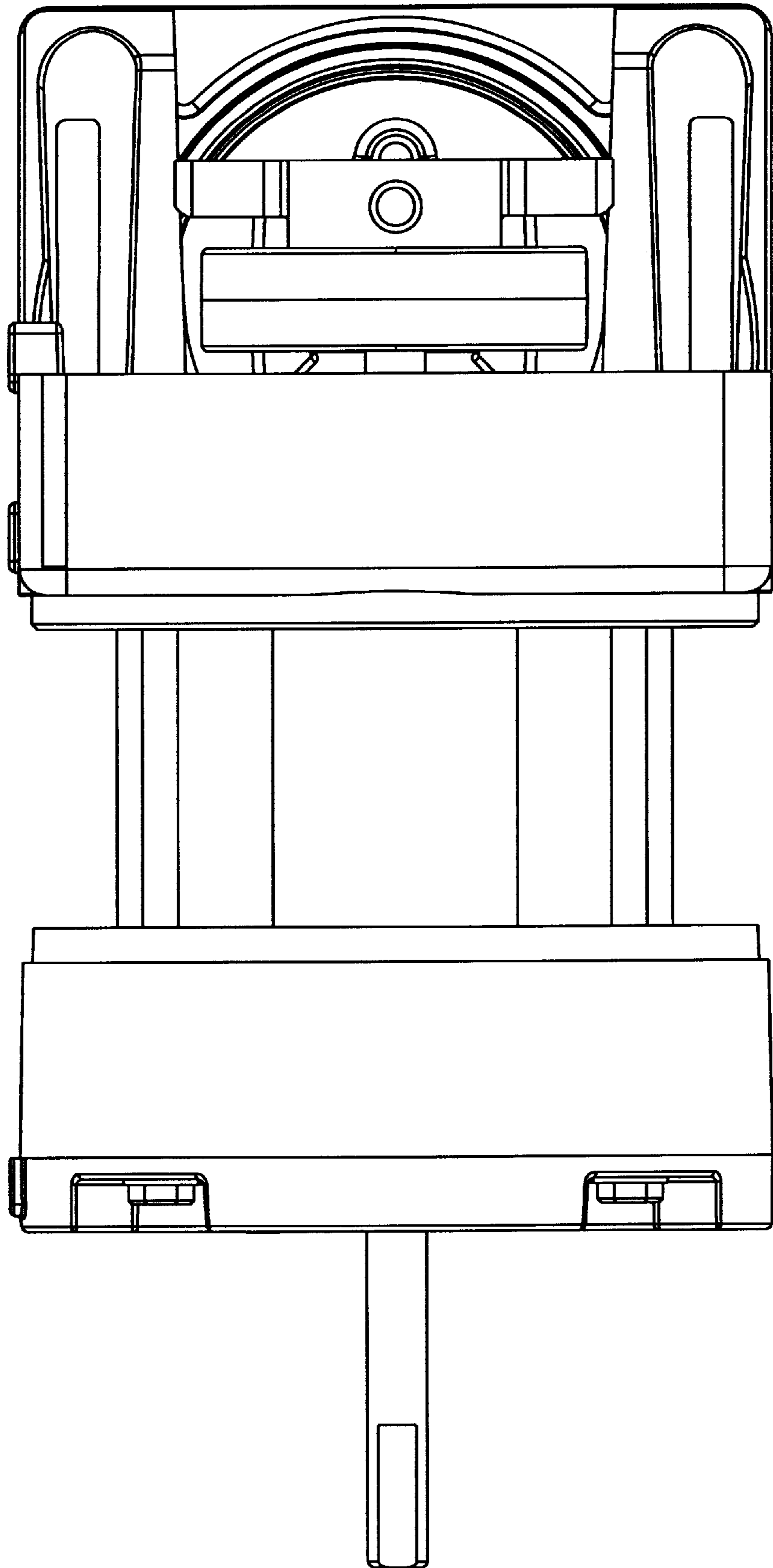
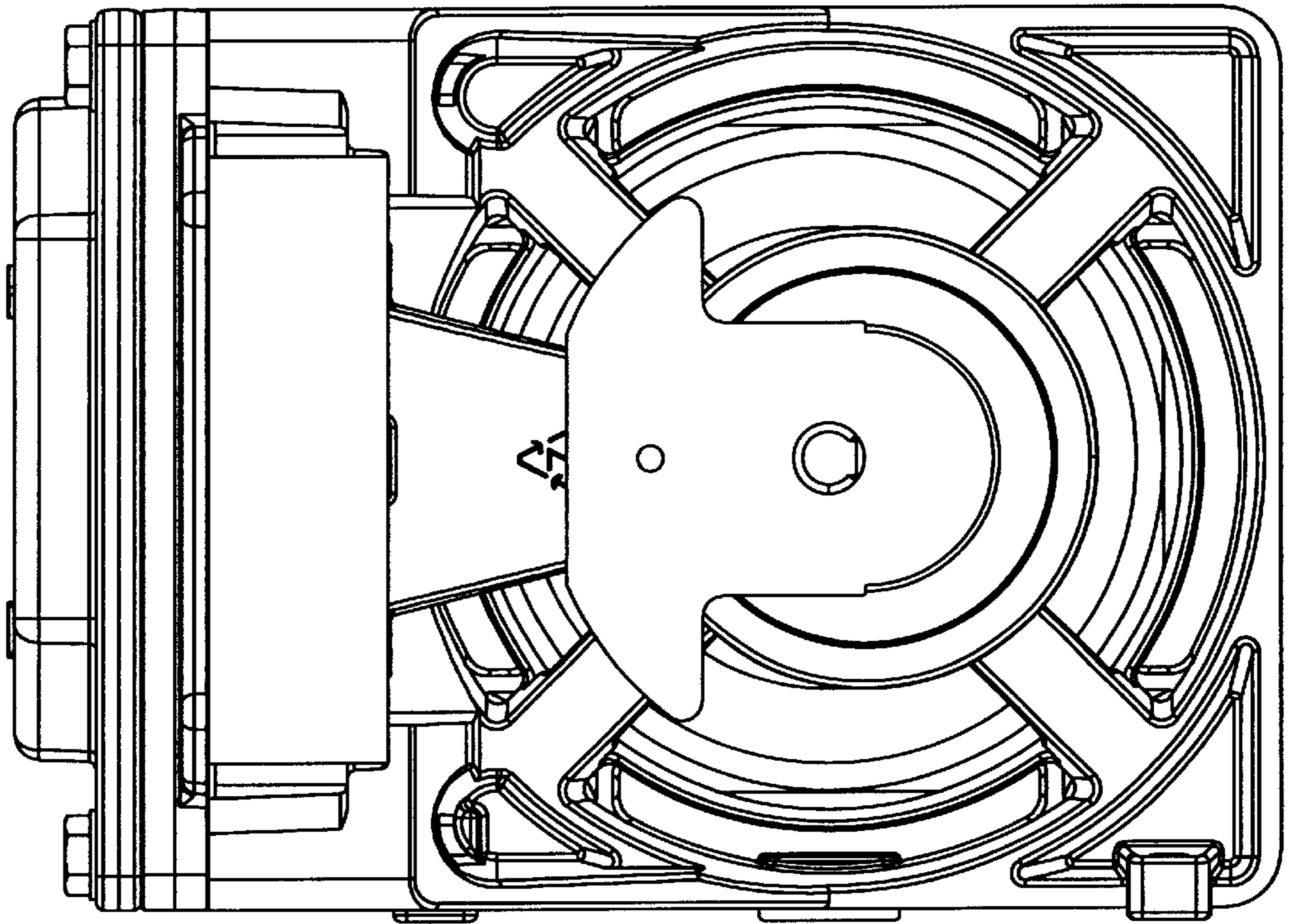


FIG. 6



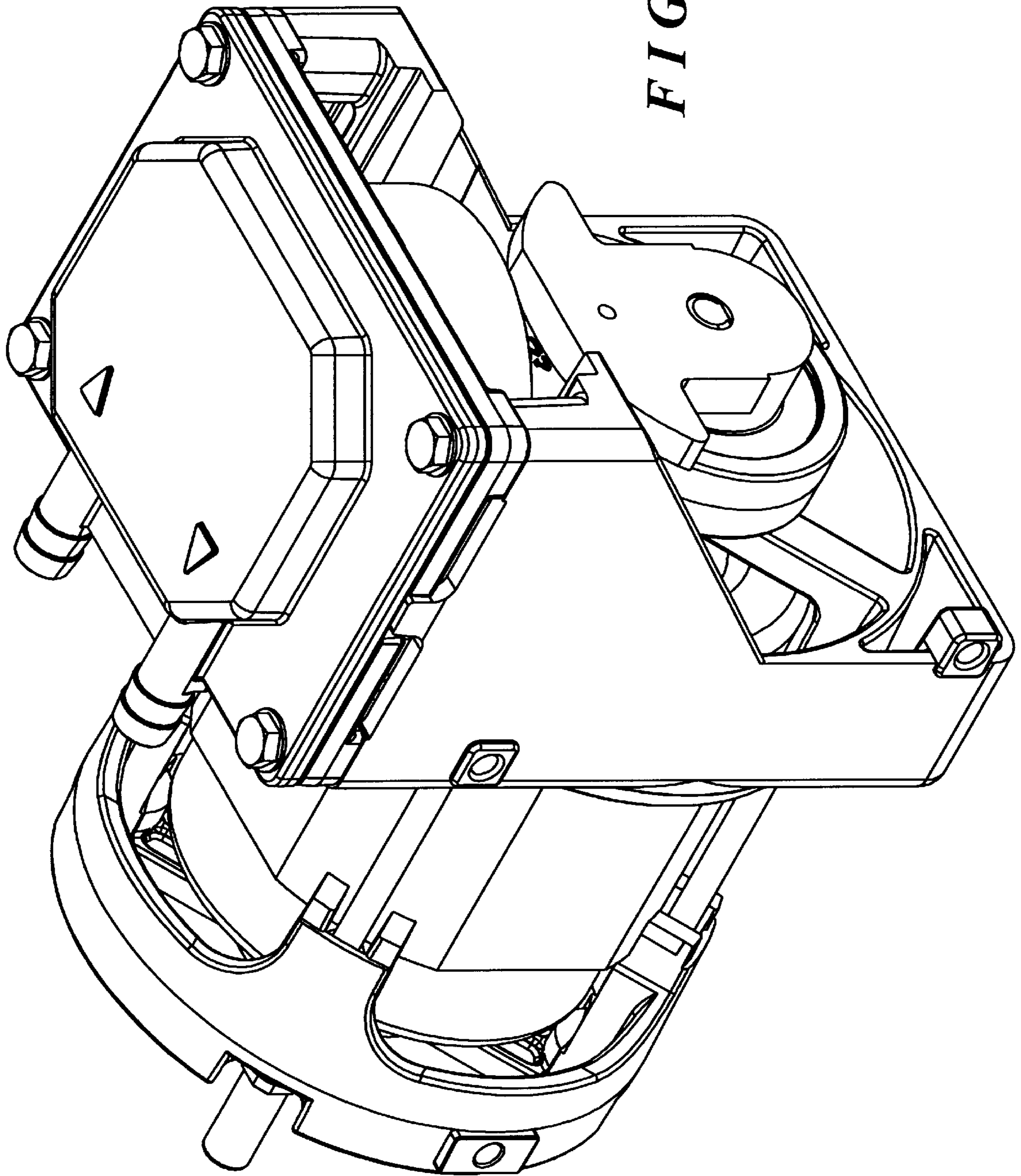
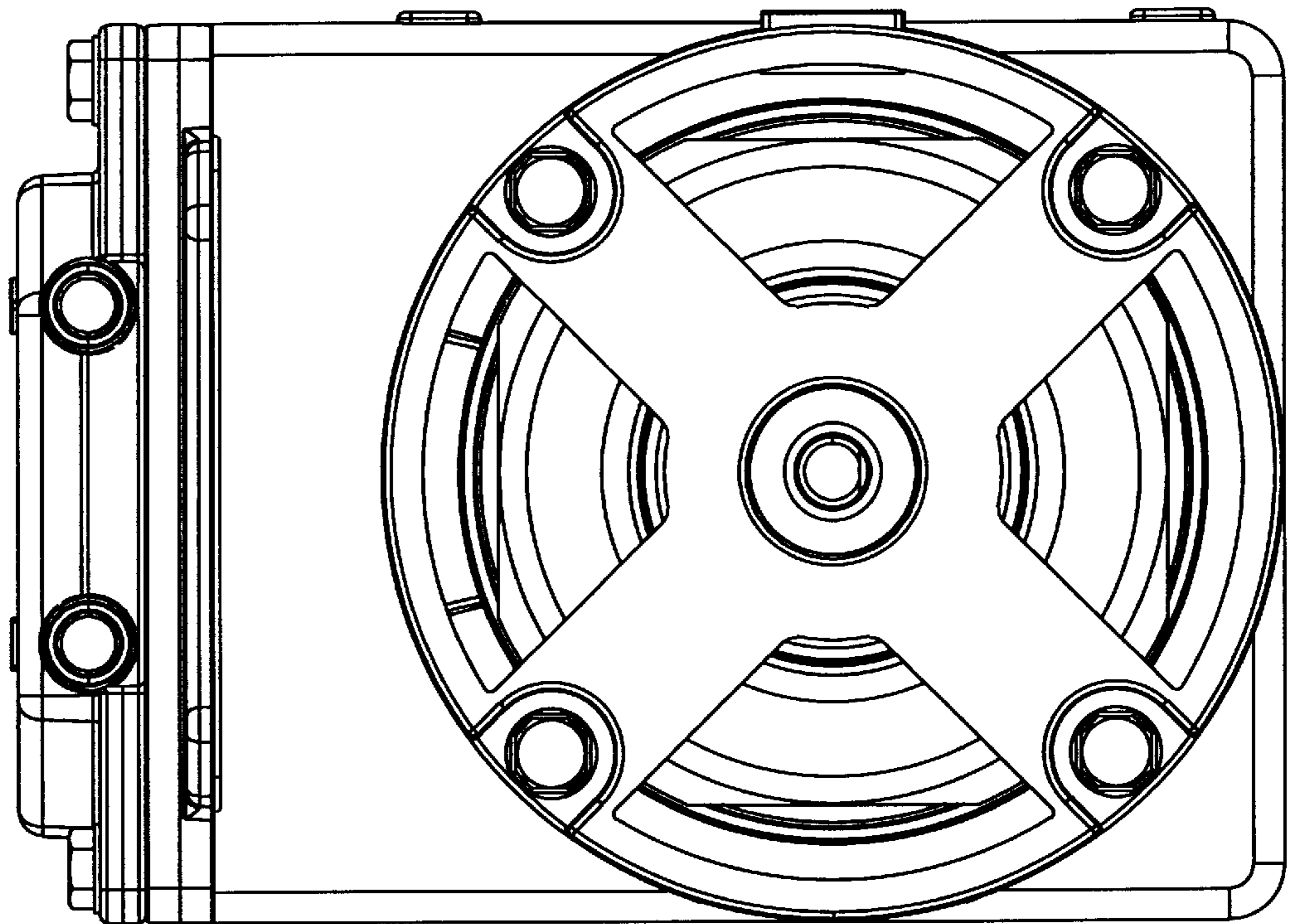


FIG. 7

FIG. 8



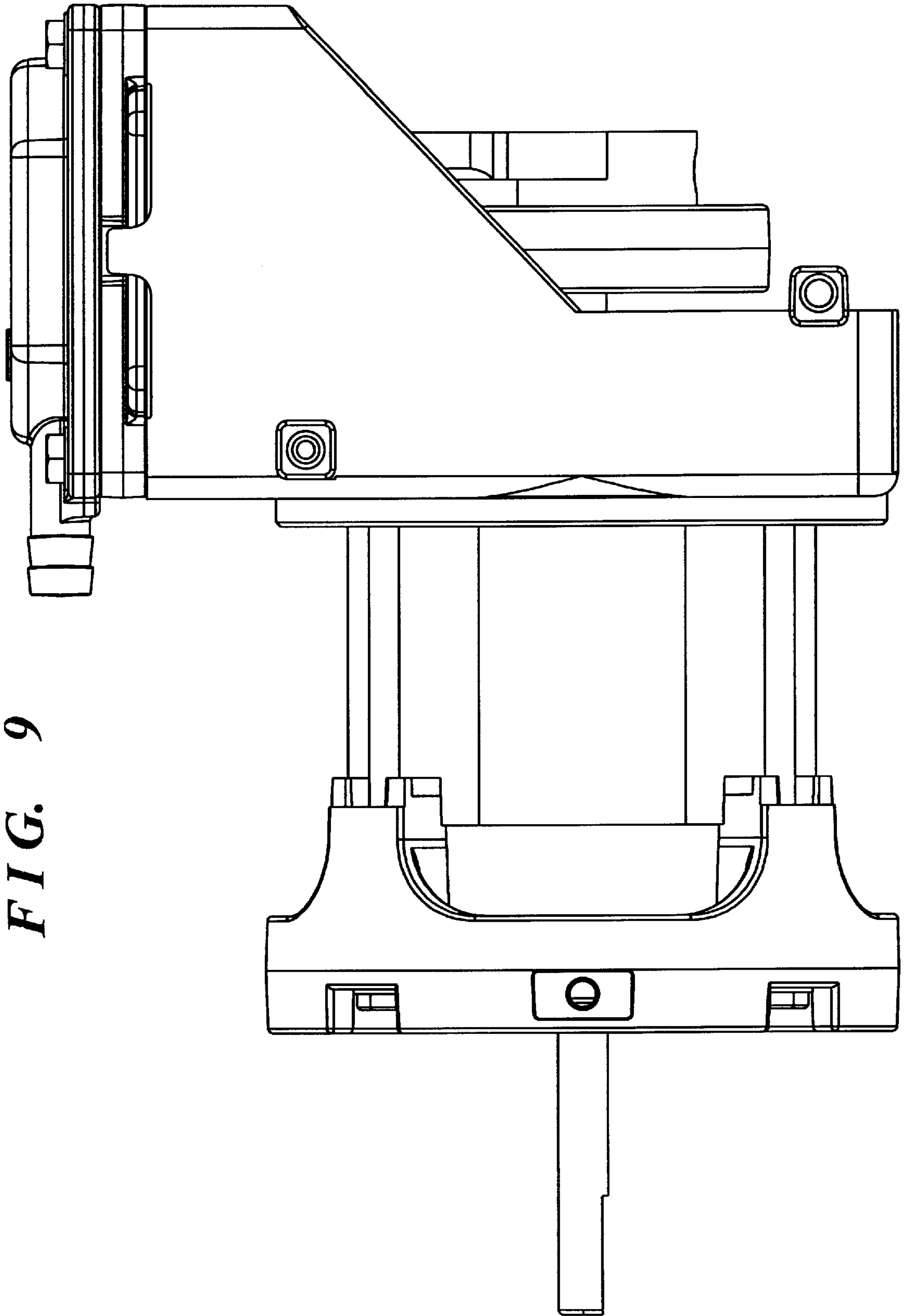


FIG. 9

FIG. 10

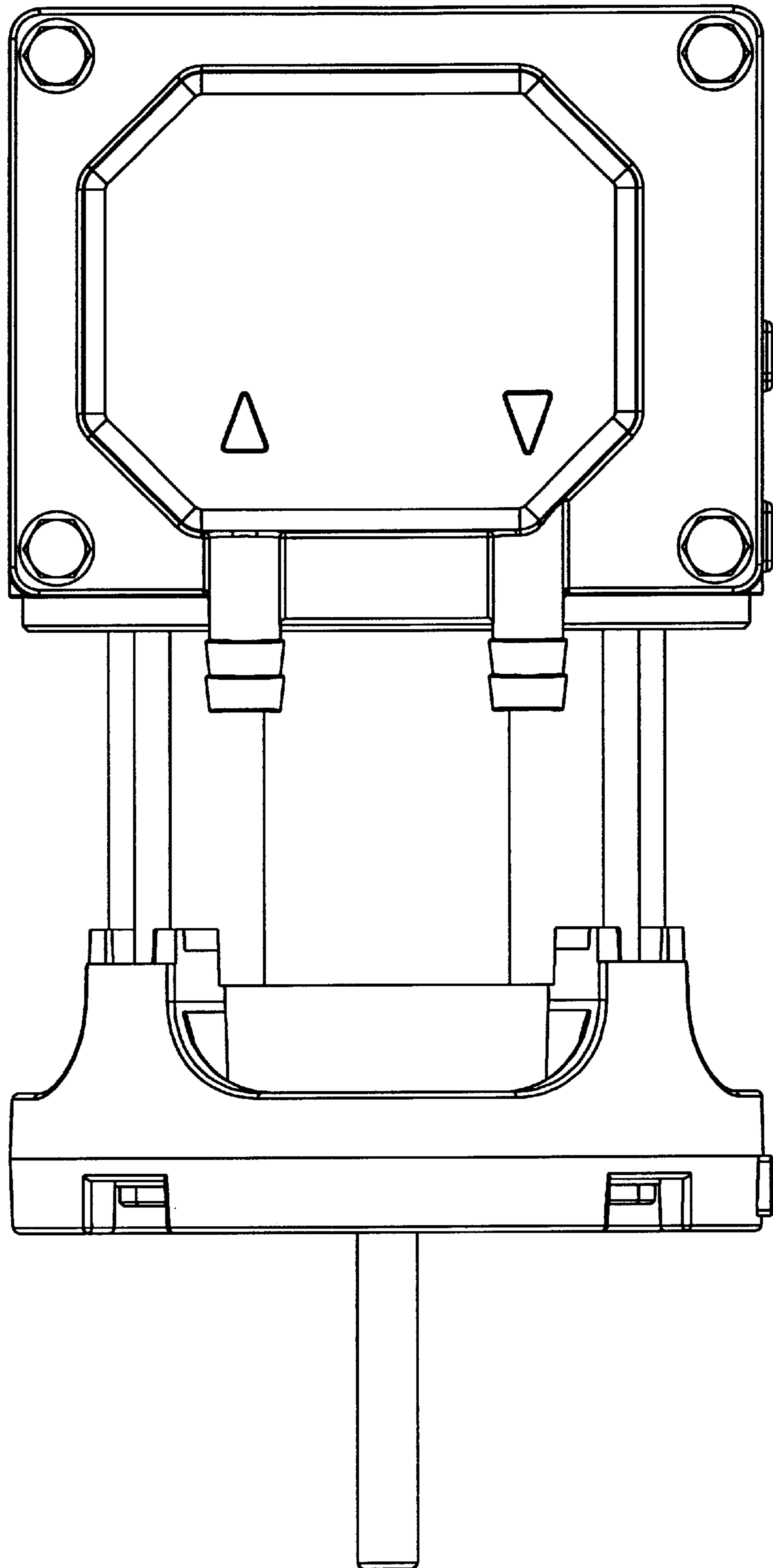


FIG. 11

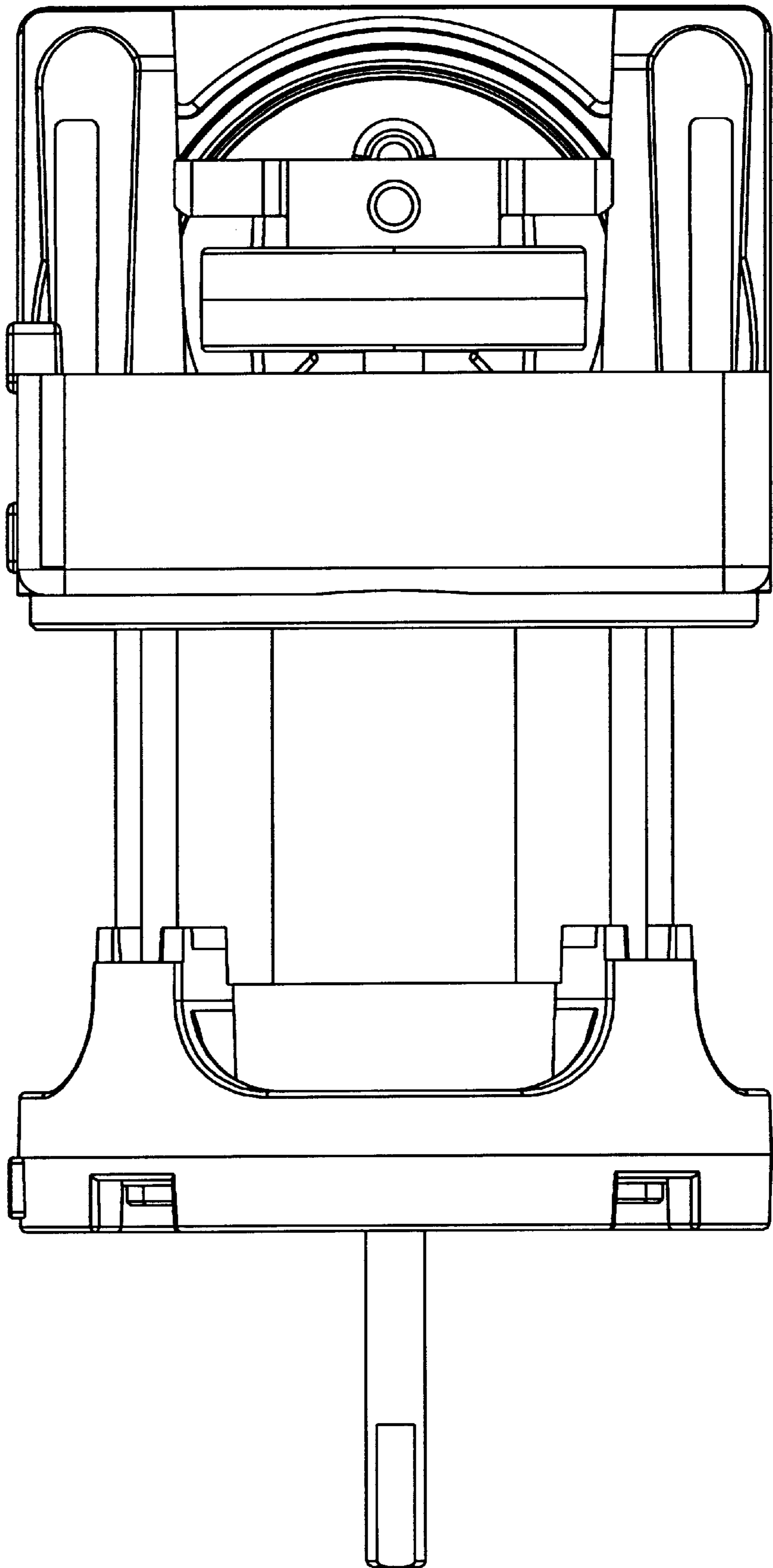


FIG. 12

