



US00D464062S

(12) **United States Design Patent**
Wolford

(10) **Patent No.:** **US D464,062 S**

(45) **Date of Patent:** **** Oct. 8, 2002**

(54) **TRANSMISSION FLUID FILTER**

(75) Inventor: **James B. Wolford**, Chicago, IL (US)

(73) Assignee: **SPX Corporation**, Charlotte, NC (US)

(**) Term: **14 Years**

(21) Appl. No.: **29/143,953**

(22) Filed: **Jun. 25, 2001**

(51) **LOC (7) Cl.** **15-01**

(52) **U.S. Cl.** **D15/5**

(58) **Field of Search** D15/1-5, 149;
210/168, 314, 445

(56) **References Cited**

U.S. PATENT DOCUMENTS

D420,682	*	2/2000	Werner	D15/5
D421,025	*	2/2000	Werner	D15/5
D422,600	*	4/2000	Werner	D15/5

* cited by examiner

Primary Examiner—Melody N. Brown

(74) *Attorney, Agent, or Firm*—Baker & Hostetler LLP

(57) **CLAIM**

The ornamental design for a transmission fluid filter, as shown and described.

DESCRIPTION

FIG. 1 is a top plan view of the transmission fluid filter, particularly showing the inventive design thereof, with the angle of the outlet tube at approximately 90 degrees;

FIG. 2 is a left side elevation view thereof;

FIG. 3 is a right side elevation view thereof;

FIG. 4 is a front elevation view thereof;

FIG. 5 is a rear elevation view thereof; and,

FIG. 6 is a bottom plan view thereof.

1 Claim, 5 Drawing Sheets

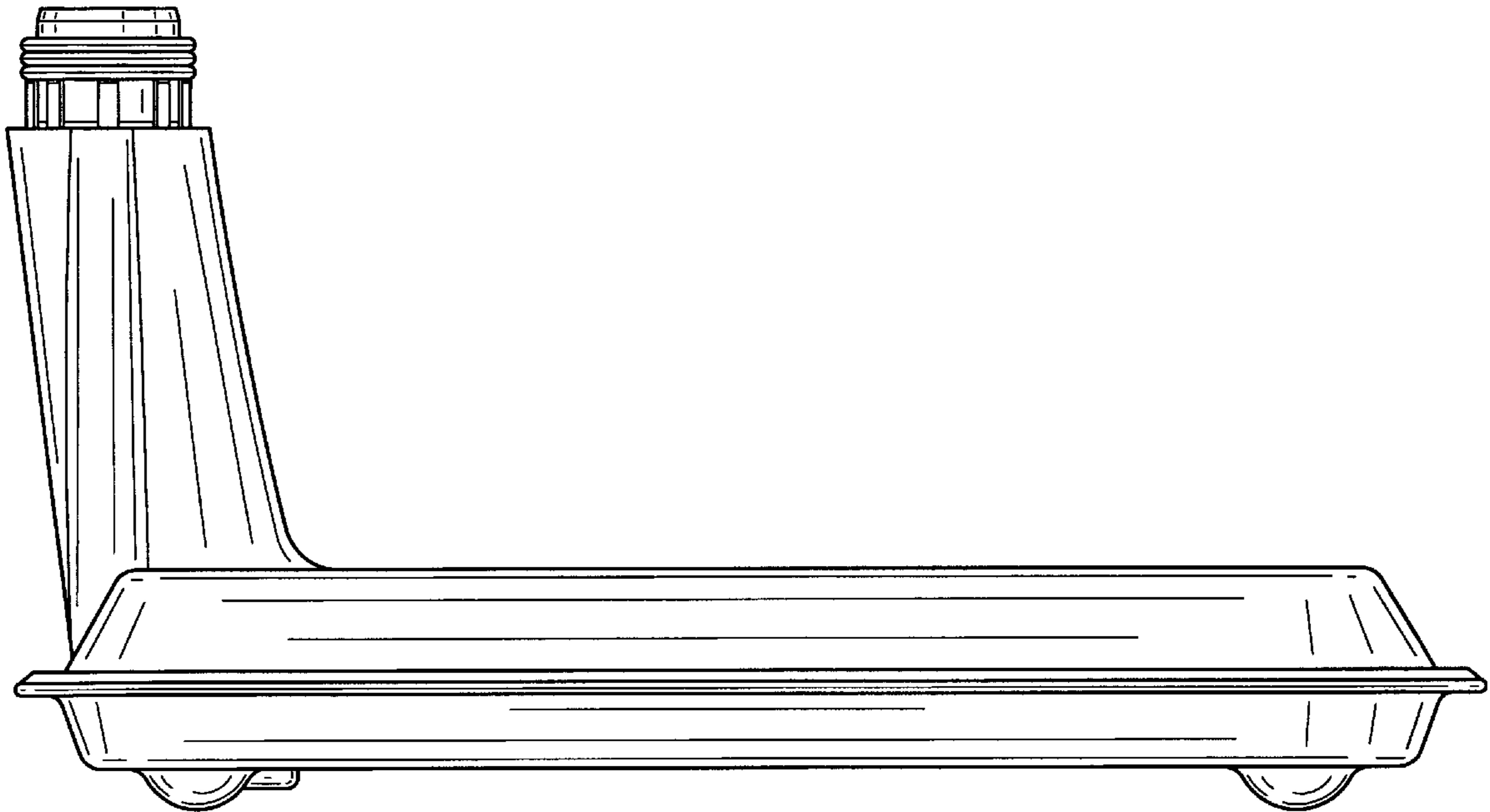


FIG. 1

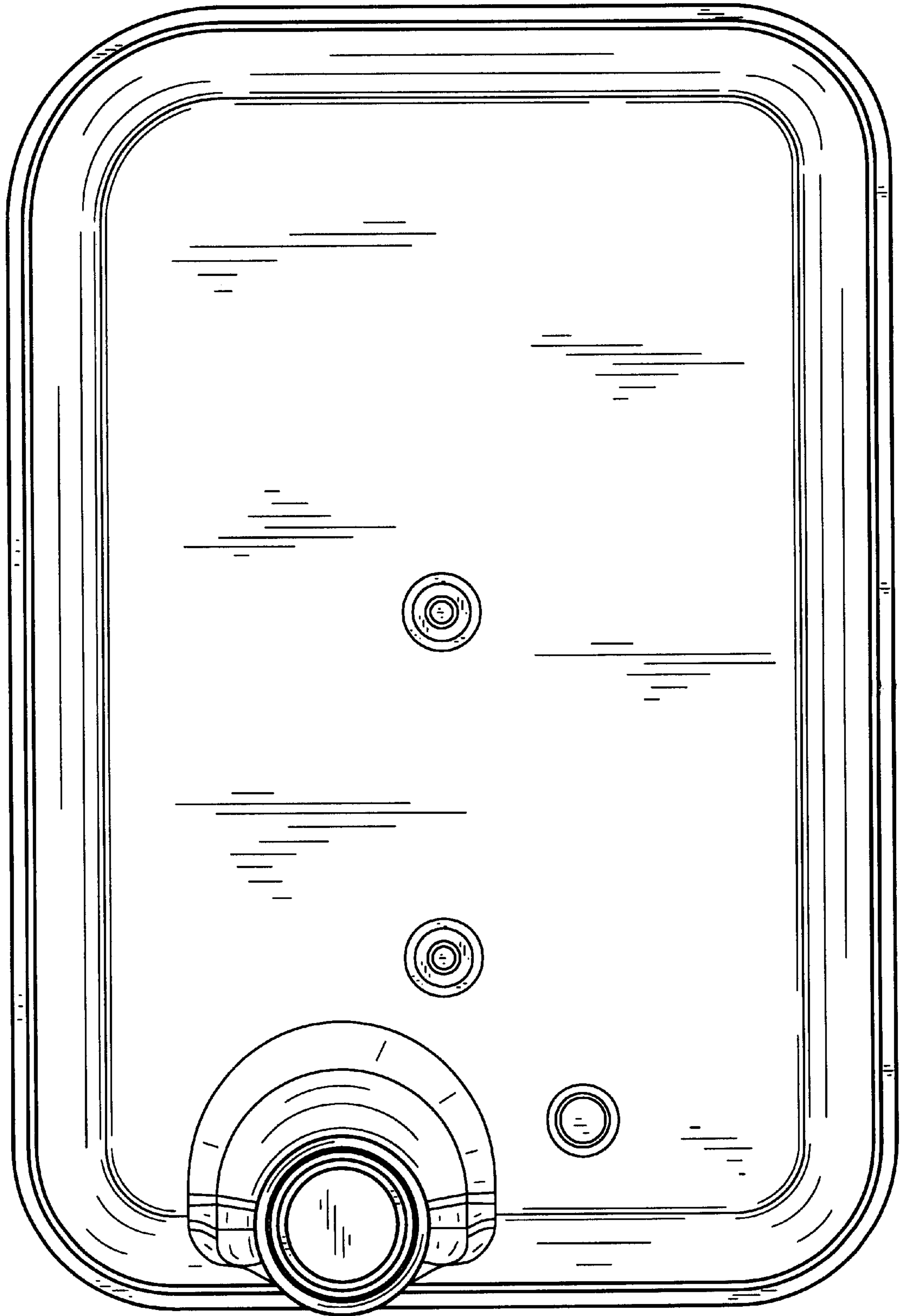


FIG. 2

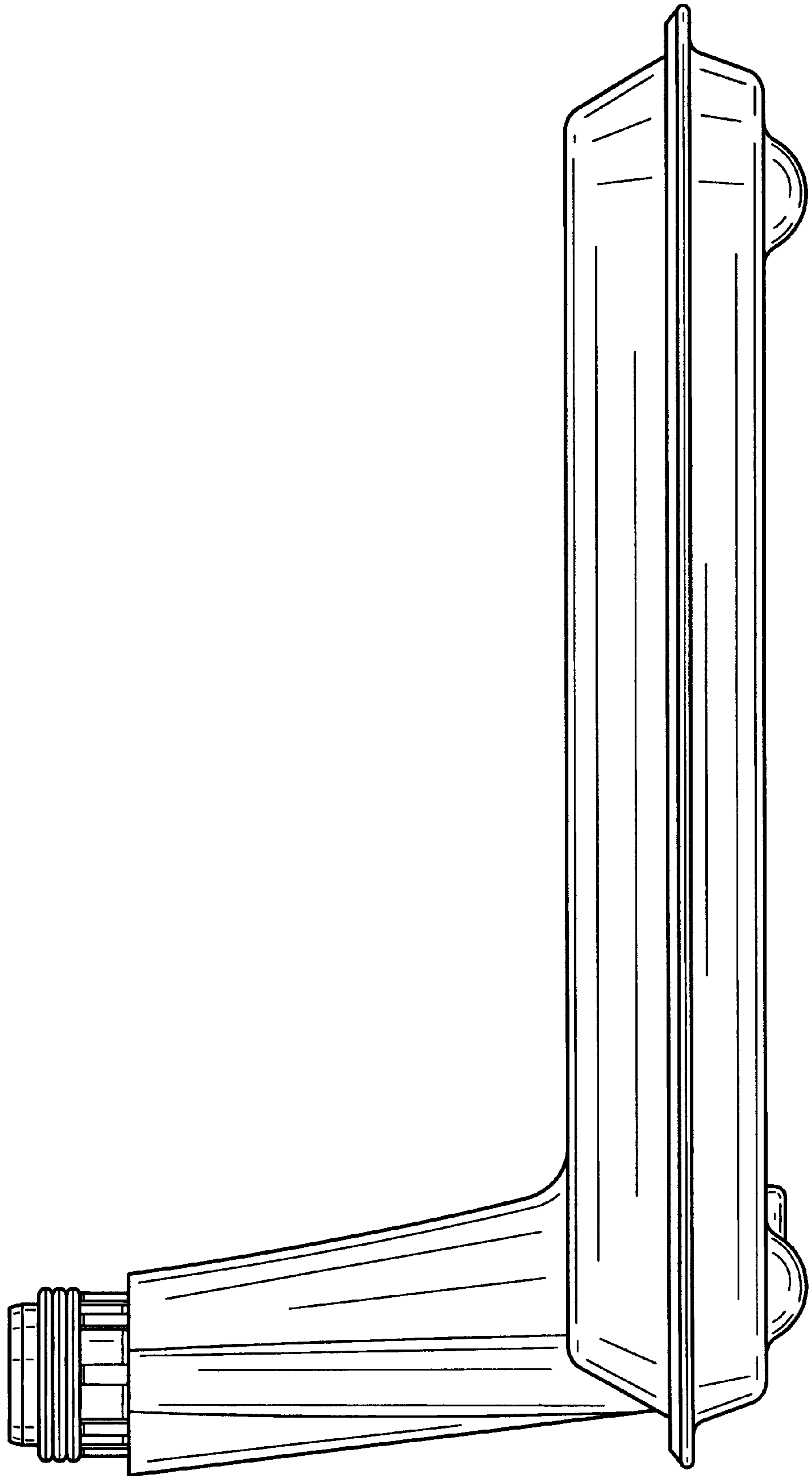


FIG. 3

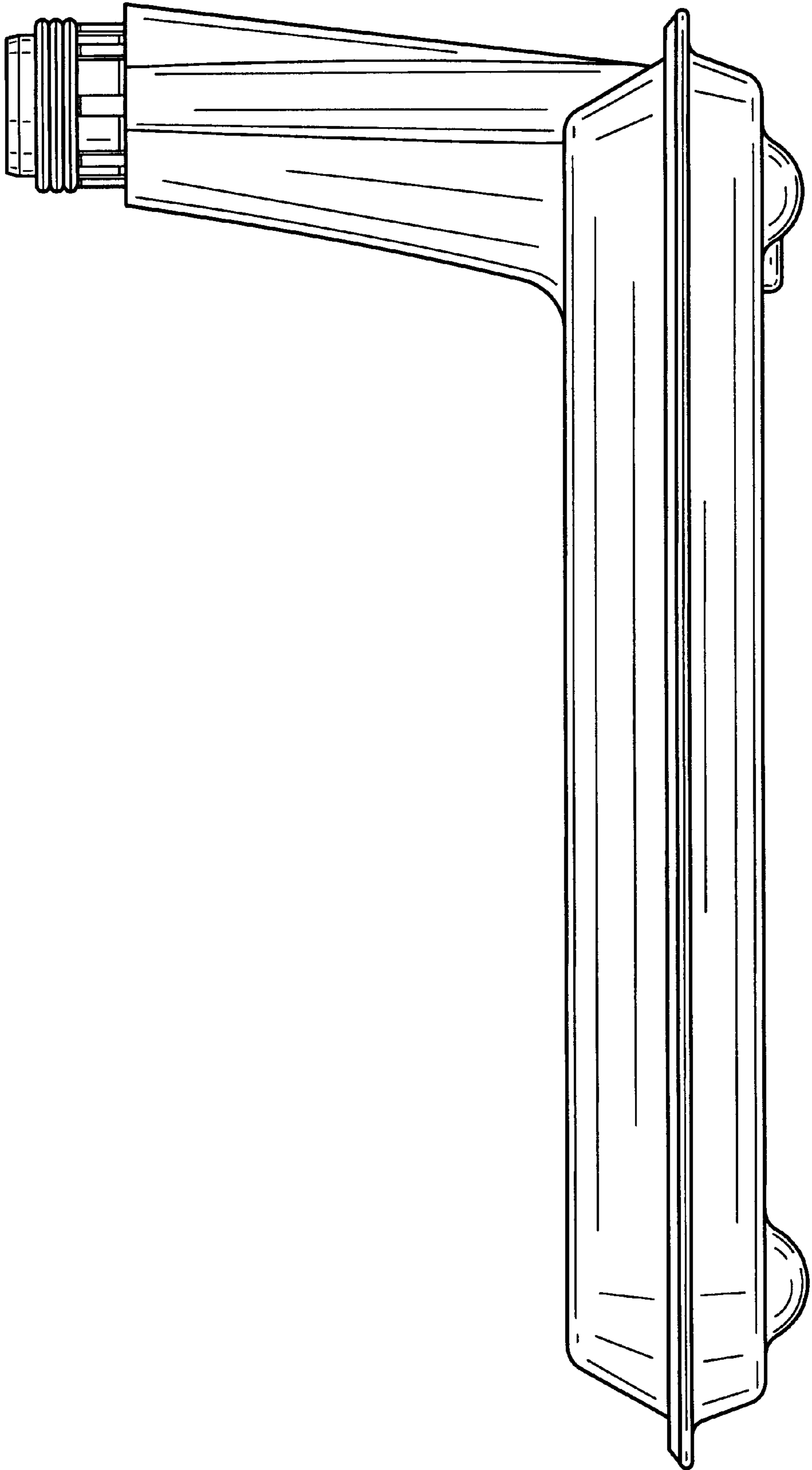


FIG. 4

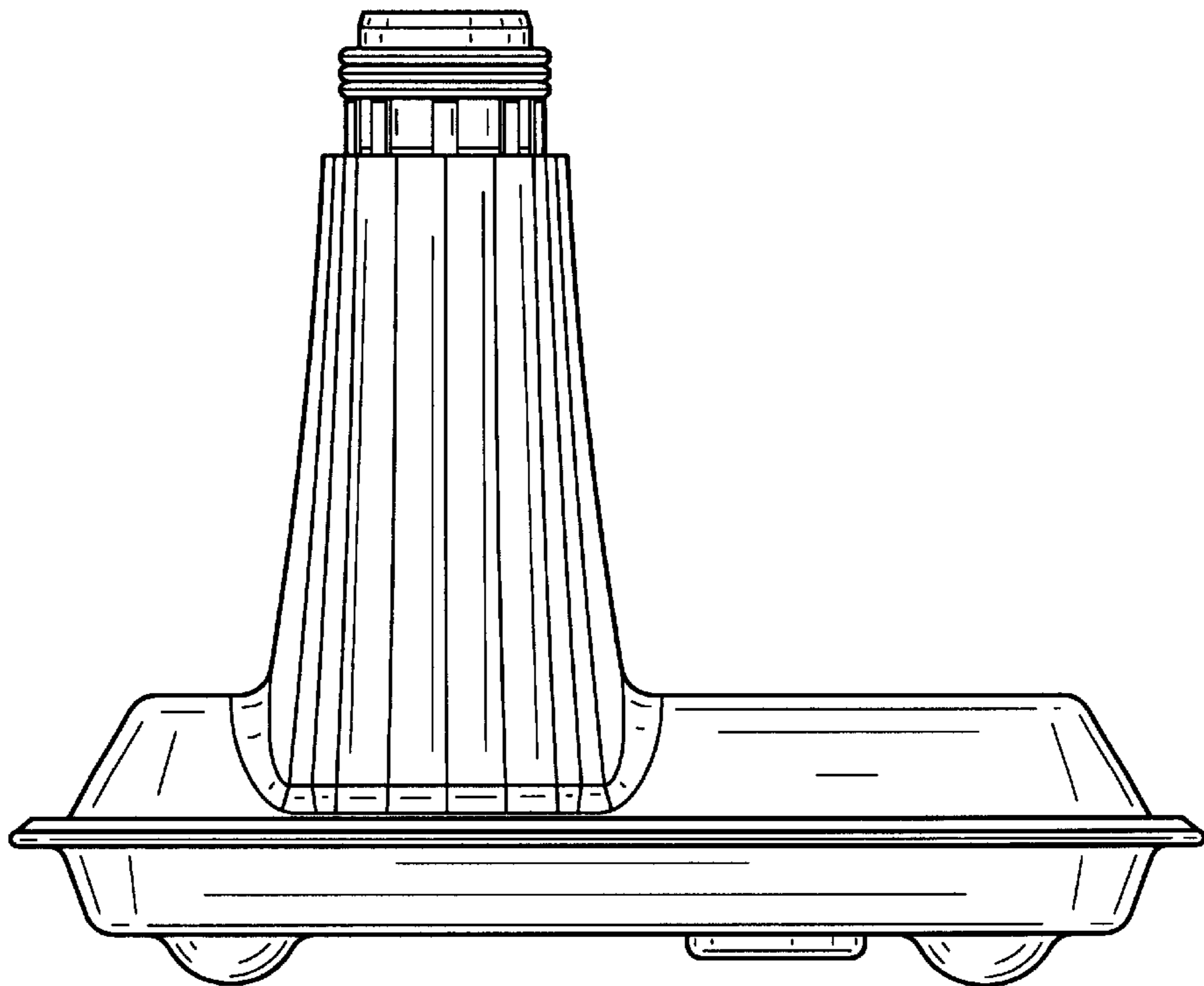


FIG. 5

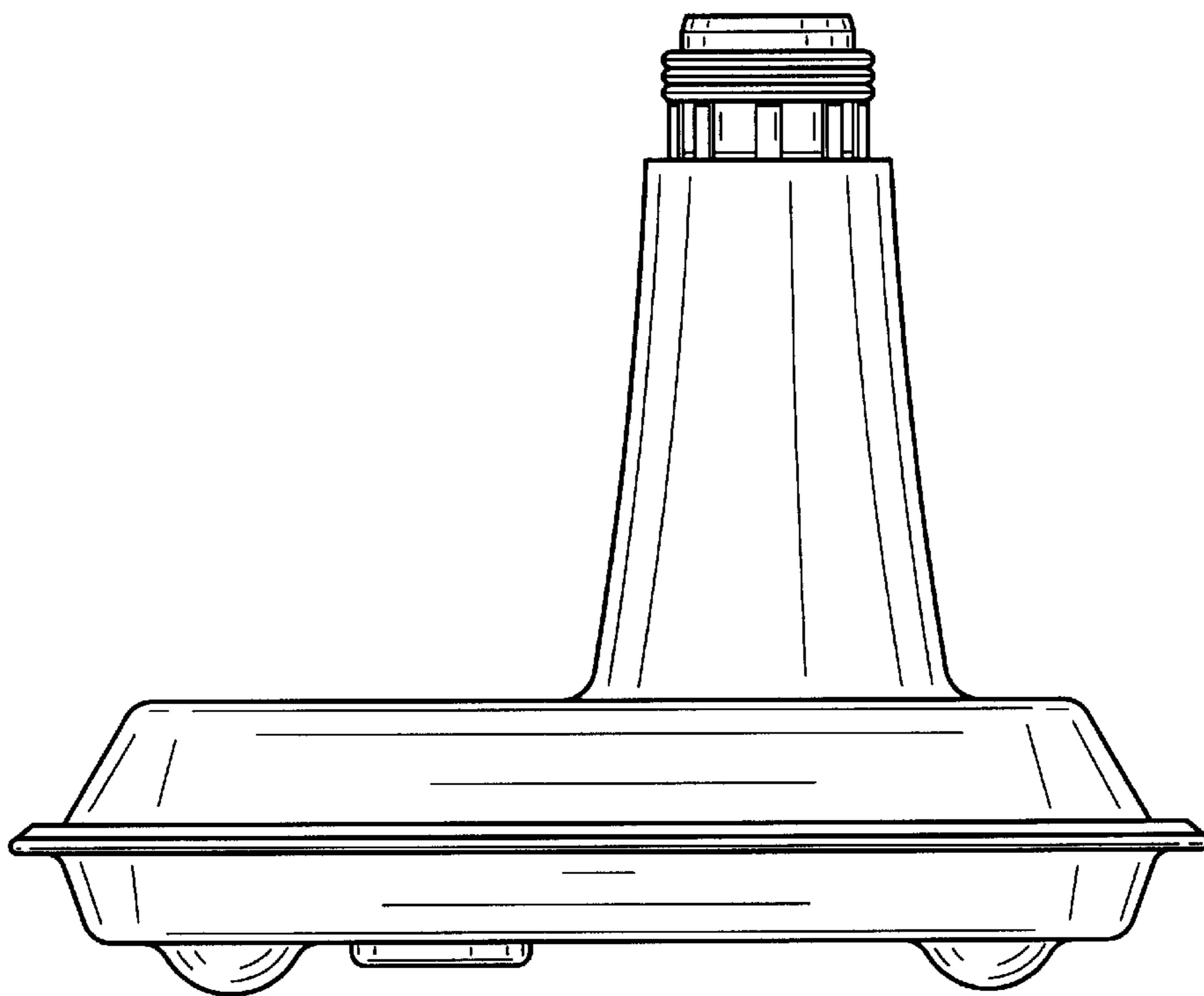


FIG. 6

