



US00D464059S

(12) **United States Design Patent**  
**Dhillon**

(10) **Patent No.:** **US D464,059 S**

(45) **Date of Patent:** **\*\* Oct. 8, 2002**

(54) **COMPACT OR MINI DISK**

(75) **Inventor:** **Jasjit S. Dhillon**, Oak Brook, IL (US)

(73) **Assignee:** **Unlimited C.D., Inc.**, Lombard, IL (US)

(\*\*) **Term:** **14 Years**

|             |         |              |
|-------------|---------|--------------|
| 5,882,555 A | 3/1999  | Rohde et al. |
| 5,982,736 A | 11/1999 | Pierson      |
| D418,502 S  | 1/2000  | Friday       |
| D419,151 S  | 1/2000  | Koedel       |
| D419,152 S  | 1/2000  | Lowenstein   |
| D421,427 S  | 3/2000  | Siegel       |
| D426,203 S  | 6/2000  | Siegel       |

**OTHER PUBLICATIONS**

(21) **Appl. No.:** **29/144,040**

(22) **Filed:** **Jun. 25, 2001**

“Play Your Cards Right,” Hilton Guest magazine, pp. 83–85, 1999 Issue Three, published Aug. 1999, distributed internationally.

**Related U.S. Application Data**

*Primary Examiner*—M. H. Tung

(62) Division of application No. 29/118,262, filed on Feb. 7, 2000, now Pat. No. Des. 444,153.

(74) *Attorney, Agent, or Firm*—Law Office of Marc D. Machtinger, Ltd.

(51) **LOC (7) Cl.** ..... **14-02**

(52) **U.S. Cl.** ..... **D14/478**

(58) **Field of Search** ..... D14/474, 478–80;  
D19/9, 10; 360/133, 135, 97.01–99.12;  
395/186; 369/272–3, 282–8, 280, 286, 291

(57) **CLAIM**

The ornamental design for a compact or mini disk, as shown and described.

(56) **References Cited**

**DESCRIPTION**

**U.S. PATENT DOCUMENTS**

|             |         |                    |
|-------------|---------|--------------------|
| 4,091,454 A | 5/1978  | Kauffmann          |
| 4,812,633 A | 3/1989  | Vogelgesang et al. |
| 5,579,296 A | 11/1996 | Smith et al.       |
| D394,648 S  | 5/1998  | Rohde              |
| 5,852,598 A | 12/1998 | Wiest              |

FIG. 1 is a top plan view of a compact or mini disk showing my new design.

FIG. 2 is a bottom plan view thereof;

FIG. 3 is a front view thereof, the back view being identical; and,

FIG. 4 is a right side view thereof, the left side being identical.

**1 Claim, 1 Drawing Sheet**

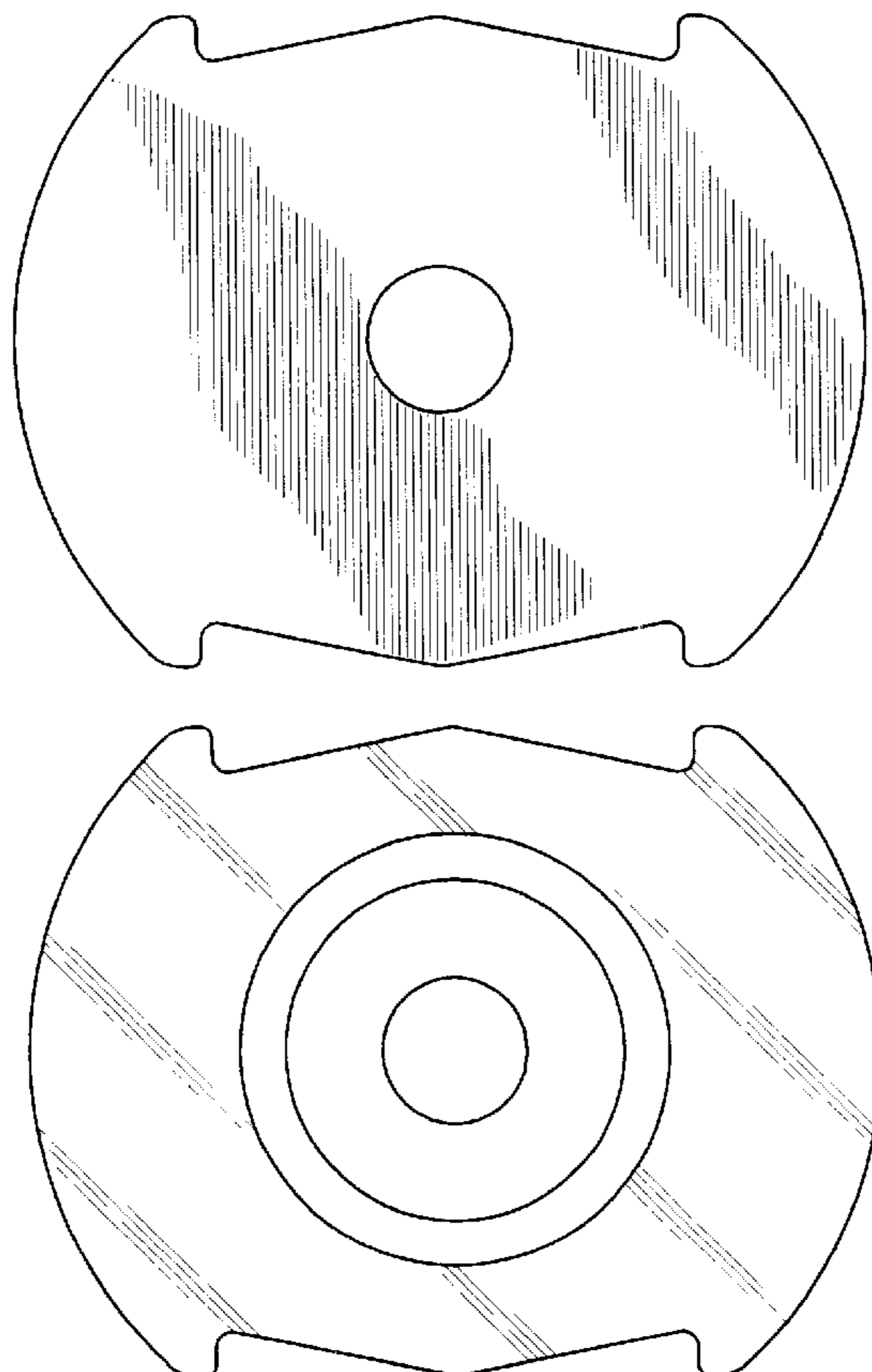


FIG. 1

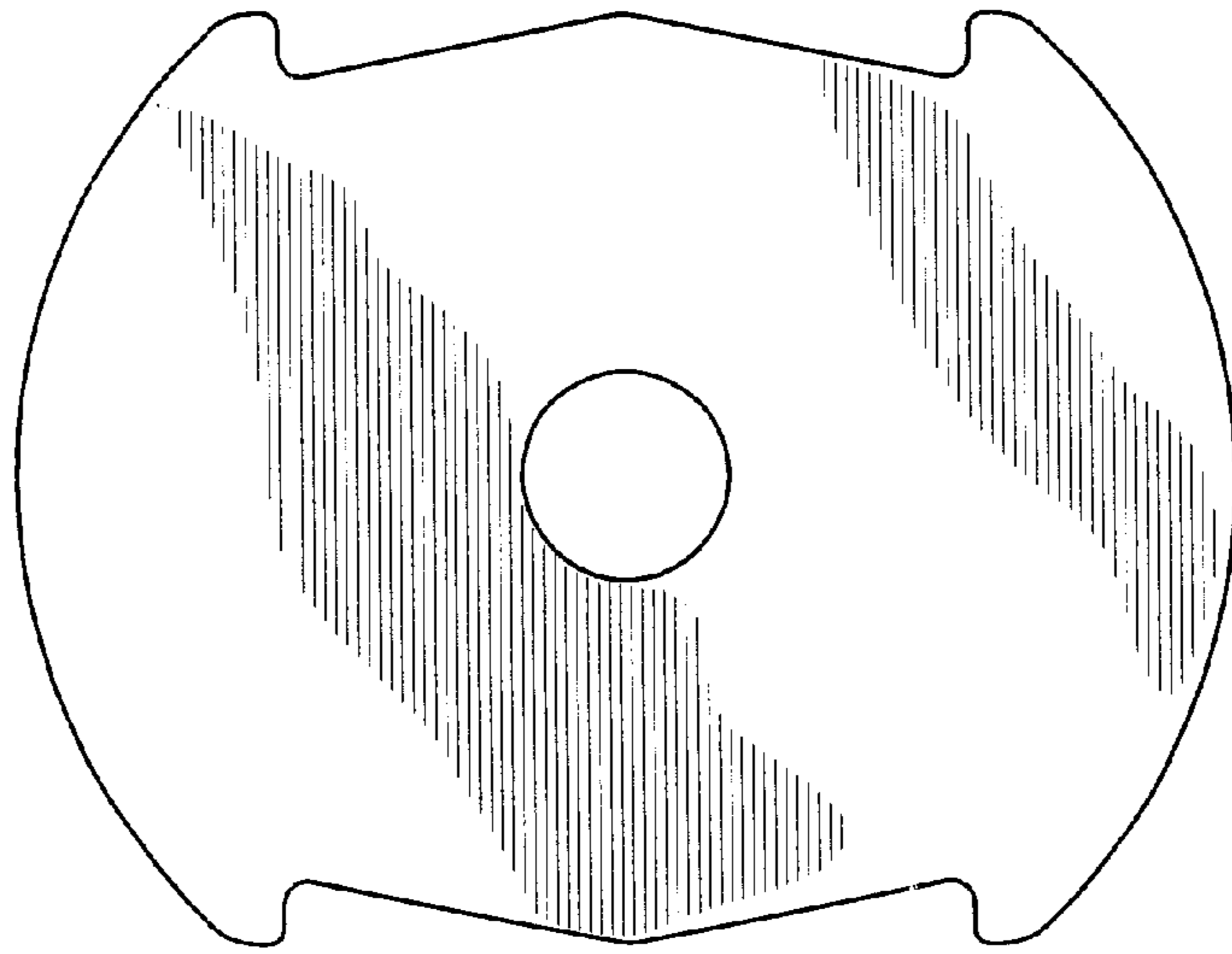


FIG. 2

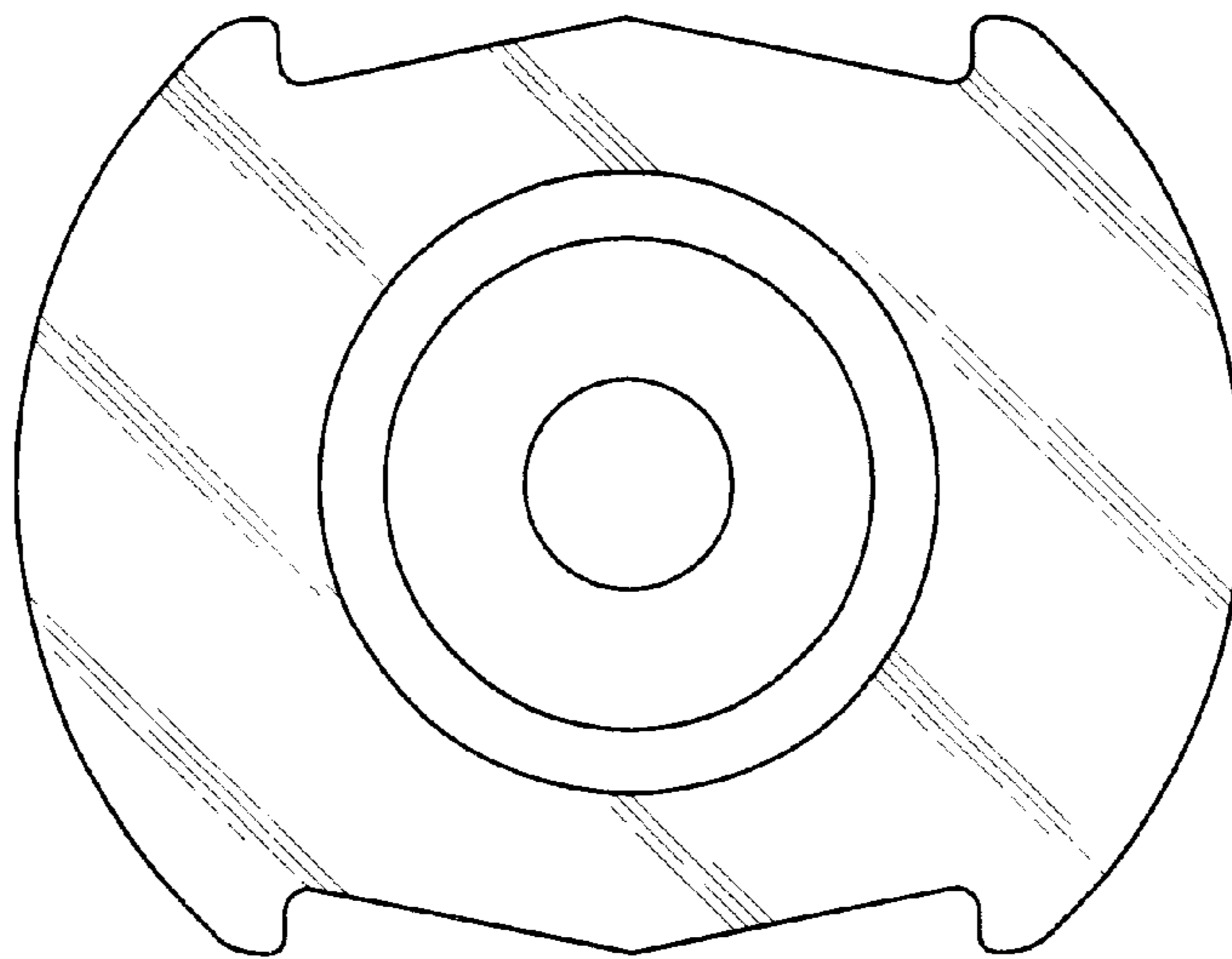


FIG. 3



FIG. 4

