



US00D464056S

(12) **United States Design Patent**
Skandalis

(10) **Patent No.:** **US D464,056 S**

(45) **Date of Patent:** **** Oct. 8, 2002**

(54) **SERVER PRODUCT FACEPLATE**

D402,286 S * 12/1998 Poole et al. D14/441

(75) Inventor: **Charles W. Skandalis**, Cupertino, CA
(US)

* cited by examiner

Primary Examiner—Freda Nunn

(73) Assignee: **Silicon Graphics, Inc.**, Mountain View,
CA (US)

(74) *Attorney, Agent, or Firm*—Baker Botts L.L.P.

(**) Term: **14 Years**

(57) **CLAIM**

The ornamental design for a server product faceplate, as shown and described.

(21) Appl. No.: **29/146,729**

DESCRIPTION

(22) Filed: **Aug. 15, 2001**

(51) **LOC (7) Cl.** **14-02**

(52) **U.S. Cl.** **D14/444**

(58) **Field of Search** D14/441-446,
D14/313; D13/162, 184, 199; 312/223.2;
361/680-686, 690-696

FIG. 1 is a perspective view of the server product faceplate showing my new design;

FIG. 2 is an upper view thereof;

FIG. 3 is a front view thereof;

FIG. 4 is a side view thereof; and,

FIG. 5 is a lower view thereof.

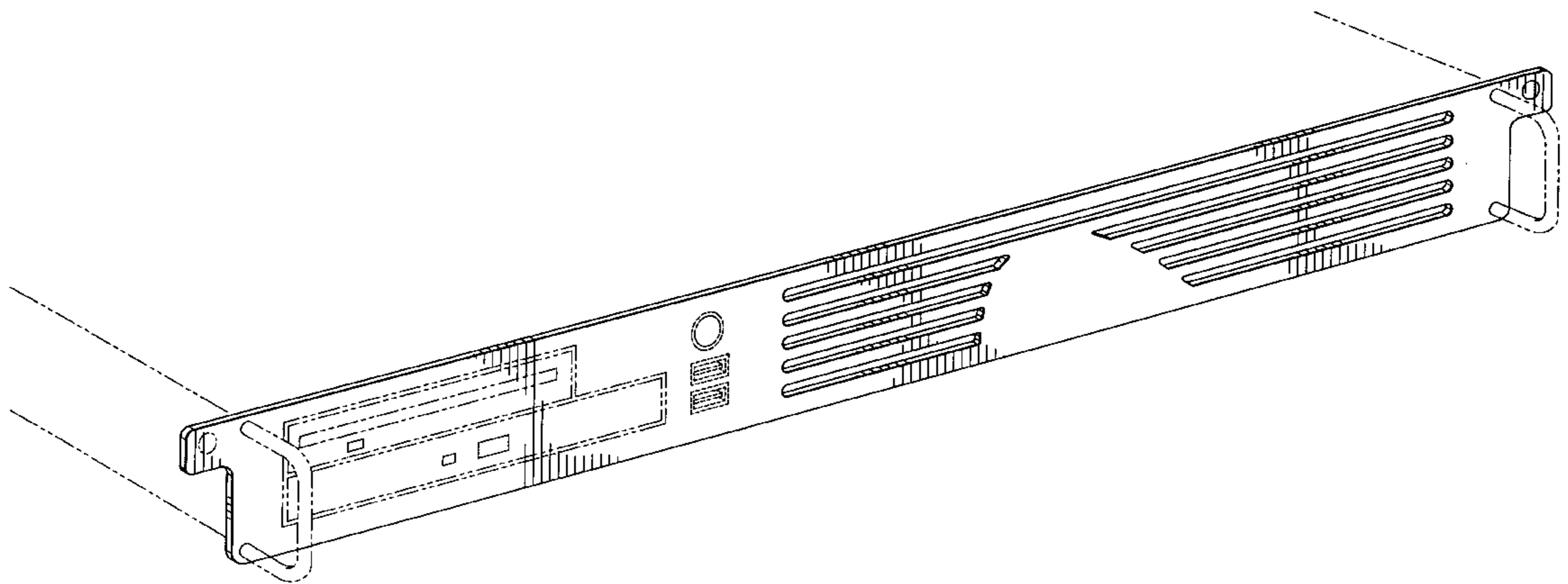
The figures are shown with the server product faceplate as used in the environment wherein the broken lines form no part of the claimed design.

(56) **References Cited**

U.S. PATENT DOCUMENTS

D380,211 S * 6/1997 Aderman et al. D14/445

1 Claim, 1 Drawing Sheet



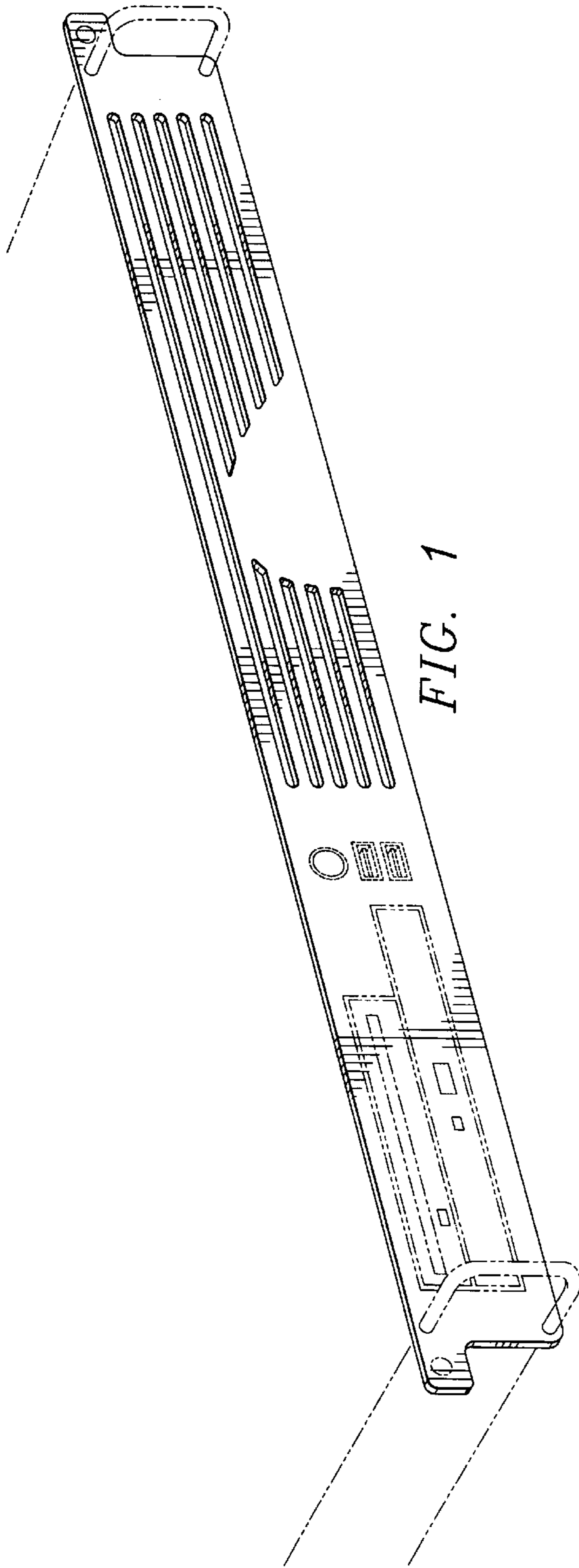


FIG. 1



FIG. 2

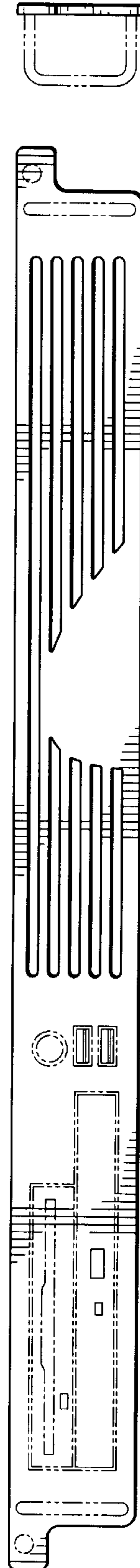


FIG. 3

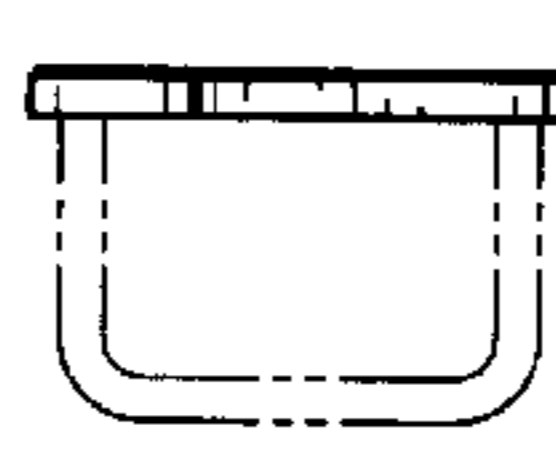


FIG. 4

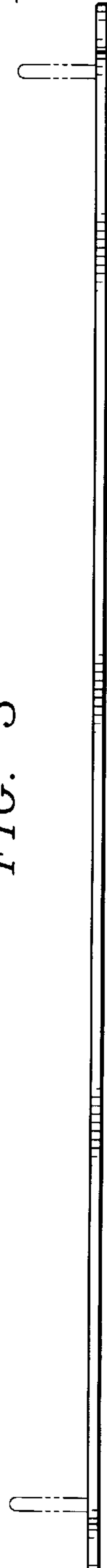


FIG. 5