



US00D464054S

(12) **United States Design Patent**  
**Houdek et al.**

(10) **Patent No.:** **US D464,054 S**

(45) **Date of Patent:** **\*\* Oct. 8, 2002**

(54) **PANEL**

(75) **Inventors:** **Philip J. Houdek**, Los Gatos, CA (US);  
**Alla Shapiro**, Mountain View, CA (US)

(73) **Assignee:** **Silicon Graphics, Inc.**, Mountain View,  
CA (US)

(\*\*) **Term:** **14 Years**

(21) **Appl. No.:** **29/135,803**

(22) **Filed:** **Jan. 18, 2001**

**Related U.S. Application Data**

(63) Continuation-in-part of application No. 29/127,196, filed on  
Jul. 31, 2000, now abandoned.

(51) **LOC (7) Cl.** ..... **14-02**

(52) **U.S. Cl.** ..... **D14/444**

(58) **Field of Search** ..... D14/301-302,  
D14/308, 310-313, 157, 356, 348, 349,  
353, 354, 240, 361, 363, 441-446; D13/162,  
184, 199, 164, 177; 312/223.1-223.3; 360/99.01-99.12;  
361/690-696, 680-686; 369/34, 36

(56) **References Cited**

**U.S. PATENT DOCUMENTS**

D338,671 S \* 8/1993 Ito et al. .... D14/157

D410,446 S \* 6/1999 Konshak et al. .... D14/367

D415,747 S \* 10/1999 Wu ..... D14/442

D428,892 S \* 8/2000 Haimson ..... D14/441

\* cited by examiner

*Primary Examiner*—Freda Nunn

(74) *Attorney, Agent, or Firm*—Schwegman, Lundberg,  
Woessner & Kluth

(57) **CLAIM**

The ornamental design for a panel, as shown and described.

**DESCRIPTION**

FIG. 1 is a perspective view of a panel showing our new design the broken lines are shown for illustrative purposes only and form no part of the claimed design;

FIG. 2 is a front elevational view thereof;

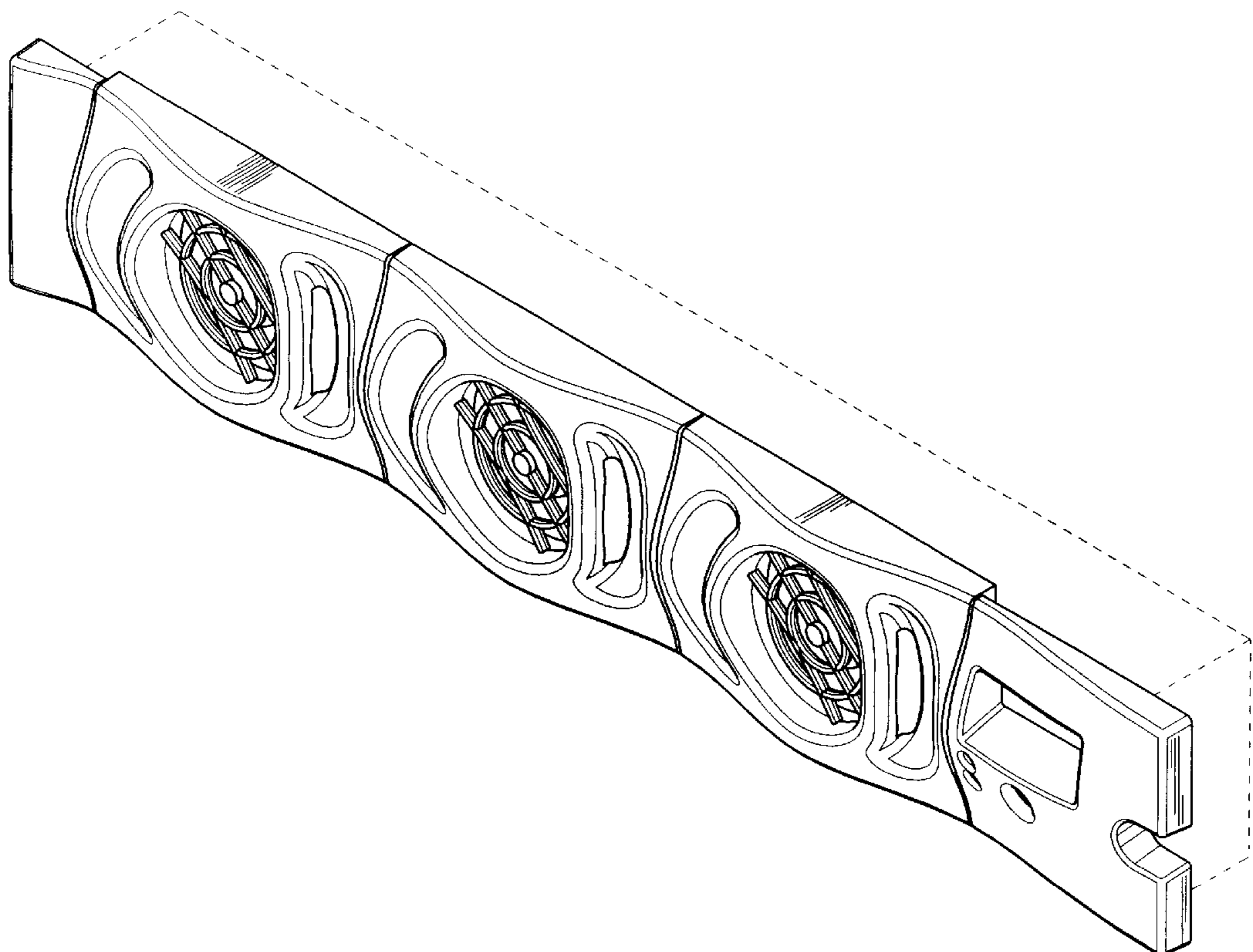
FIG. 3 is a top plan view thereof;

FIG. 4 is a bottom plan view thereof;

FIG. 5 is a left side elevational view thereof; and,

FIG. 6 is a right side elevational view thereof.

**1 Claim, 4 Drawing Sheets**



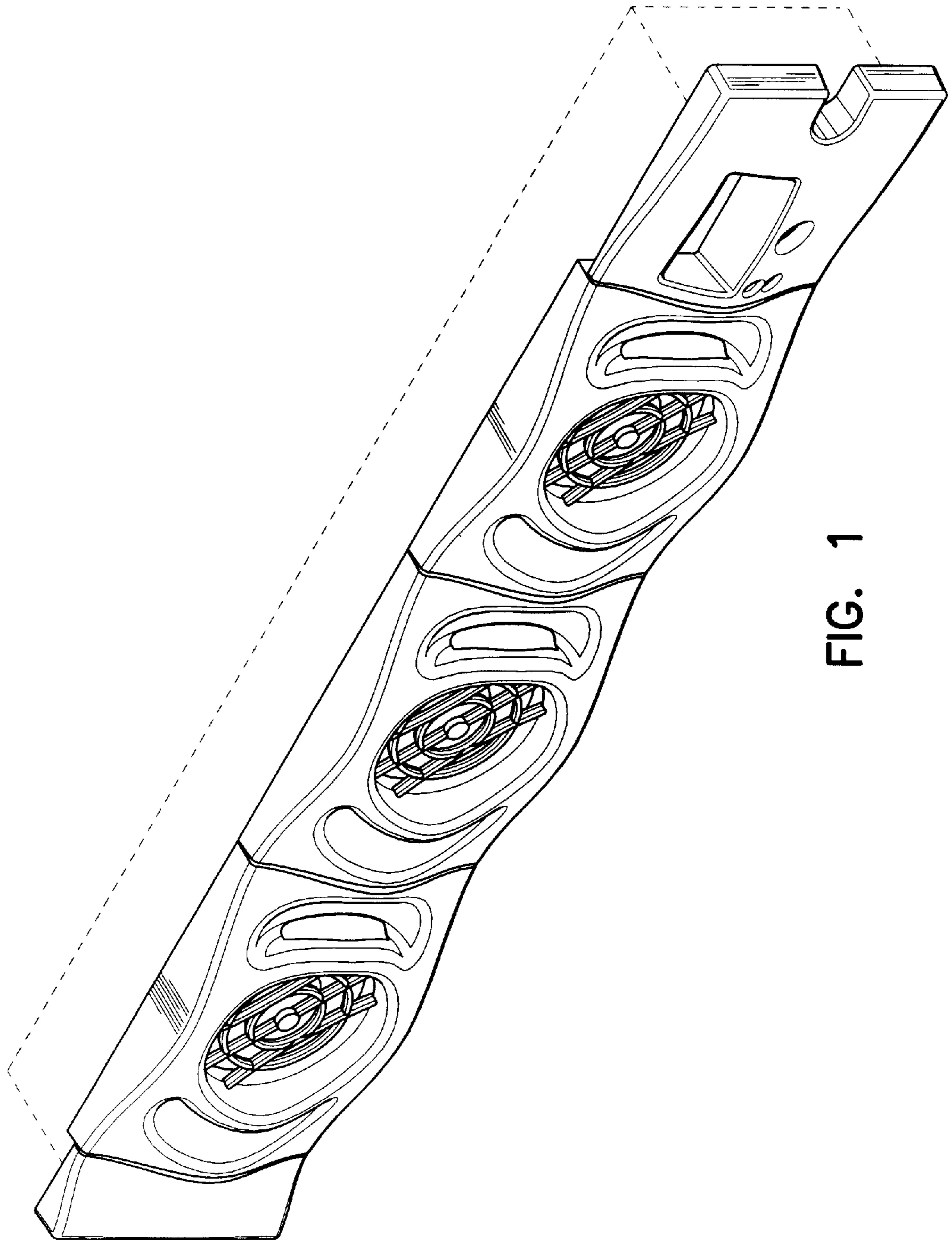


FIG. 1

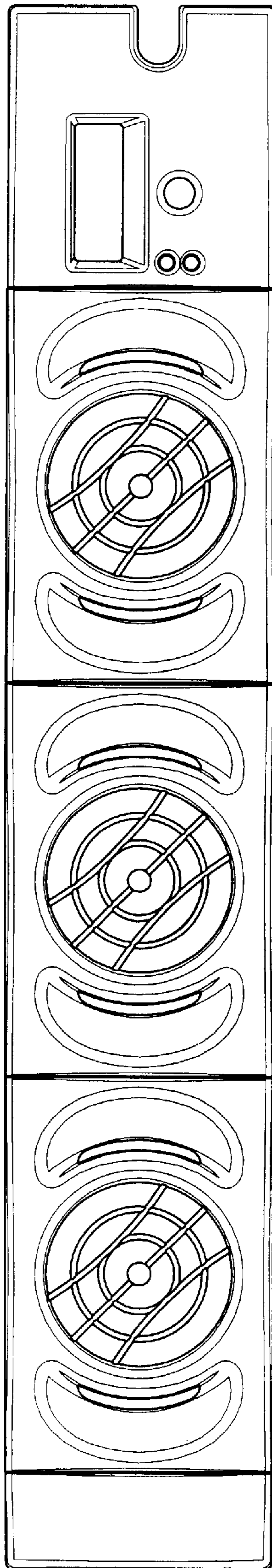


FIG. 2

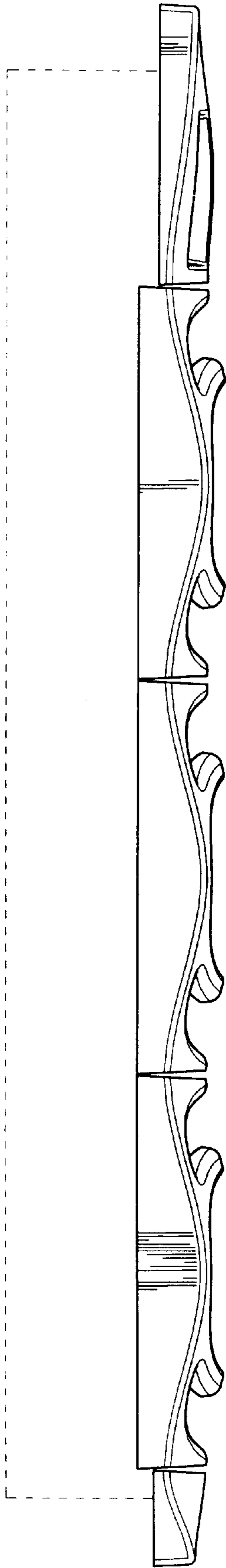


FIG. 3

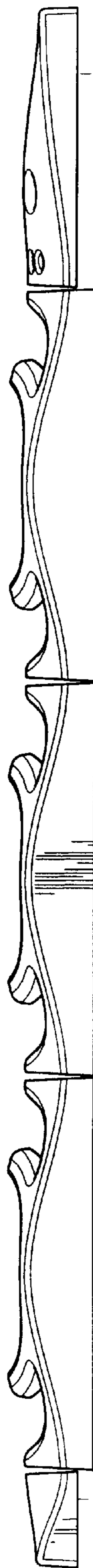


FIG. 4

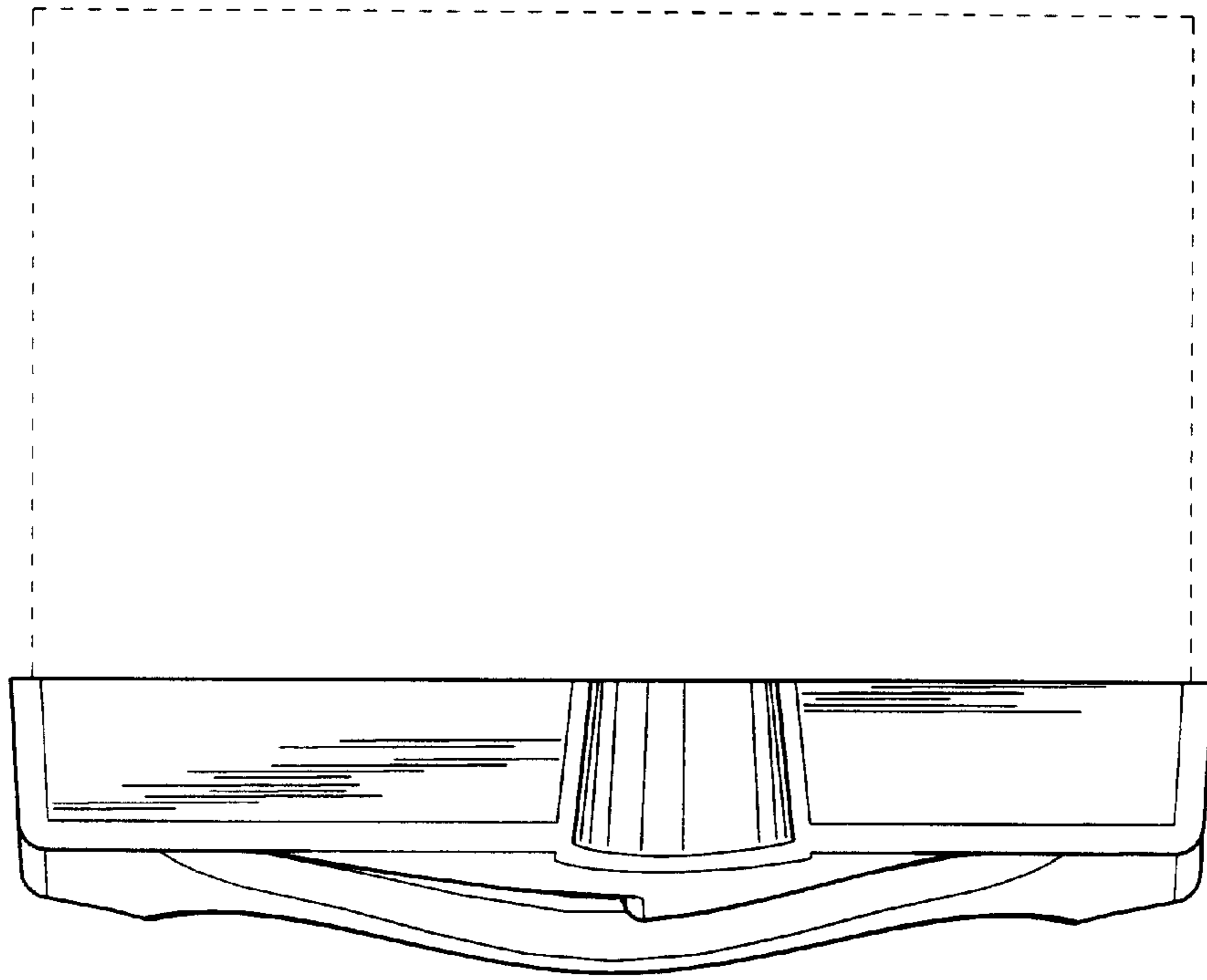


FIG. 6

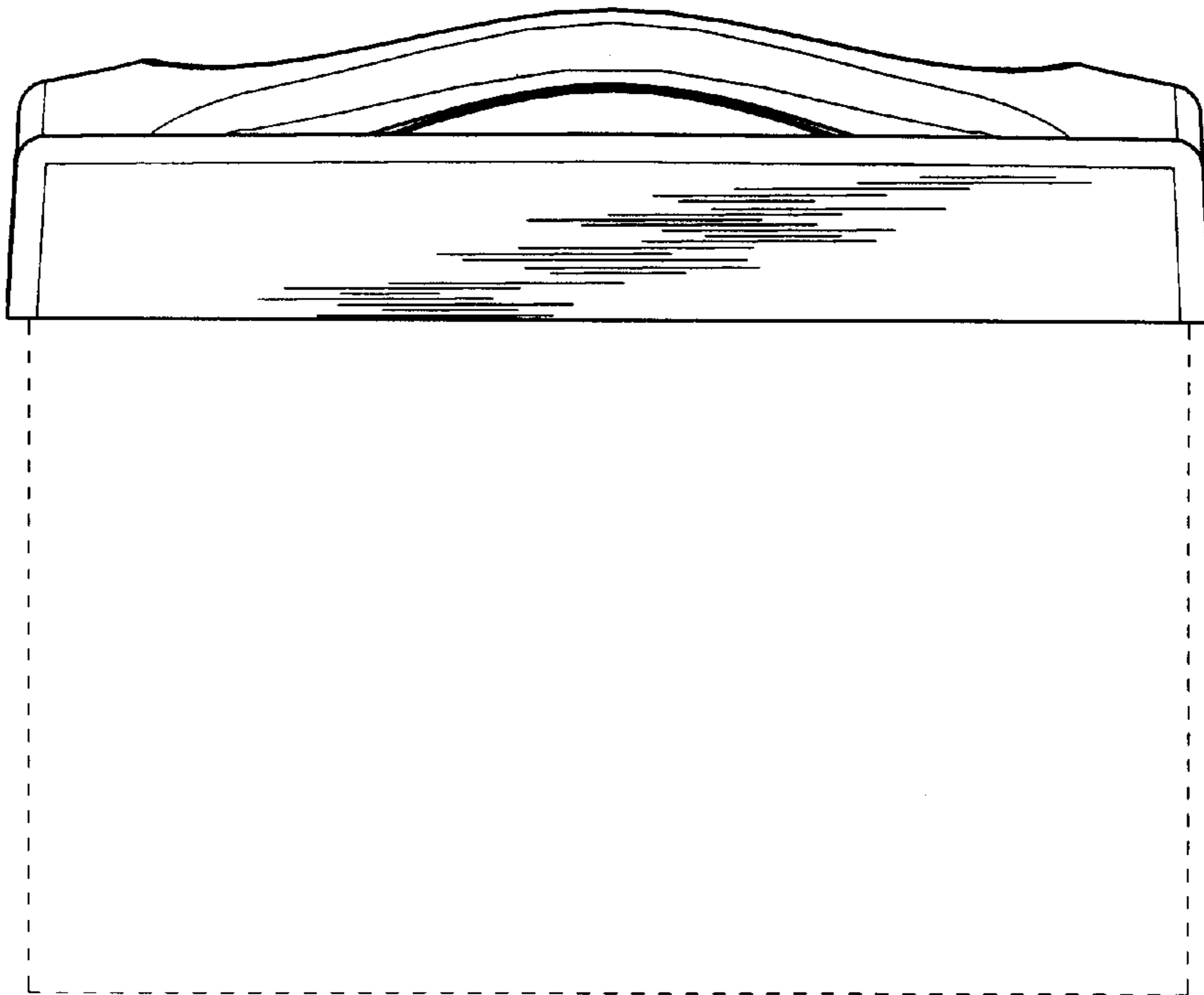


FIG. 5