



US00D464049S

(12) **United States Design Patent**
Goto

(10) **Patent No.:** **US D464,049 S**

(45) **Date of Patent:** **** Oct. 8, 2002**

(54) **MONITOR DISPLAY**

(75) Inventor: **Teiyu Goto**, Tokyo (JP)

(73) Assignee: **Sony Computer Entertainment Inc.**,
Tokyo (JP)

(**) Term: **14 Years**

(21) Appl. No.: **29/146,036**

(22) Filed: **Aug. 3, 2001**

(30) **Foreign Application Priority Data**

May 11, 2001 (JP) 2001-013570

(51) **LOC (7) Cl.** **14-02**

(52) **U.S. Cl.** **D14/374**

(58) **Field of Search** D14/371, 374,
D14/375, 376, 378, 125-129, 356; 345/104,
156, 168, 173; 348/180, 184, 325, 739;
248/917-924; 349/1, 2, 11, 62

(56) **References Cited**

U.S. PATENT DOCUMENTS

D417,659 S * 12/1999 Takemasa D14/374

D424,033 S * 5/2000 Hus D14/374

D433,021 S * 10/2000 Shibata D14/356

* cited by examiner

Primary Examiner—Freda Nunn

(74) *Attorney, Agent, or Firm*—Rader, Fishman & Grauer,
PLLC

(57) **CLAIM**

The ornamental design for a monitor display, as shown and described.

DESCRIPTION

FIG. 1 is a front elevational view of a monitor display showing my design;

FIG. 2 is a rear elevational view thereof;

FIG. 3 is a left side elevational view thereof;

FIG. 4 is a right side elevational view thereof;

FIG. 5 is a top plan view thereof;

FIG. 6 is a bottom plan view thereof;

FIG. 7 is an enlarged front elevational view thereof along line 7—7 of FIG. 1; and

FIG. 8 is a reduced perspective view of the embodiment of FIG. 1; and,

FIG. 9 is a bottom plan view of another embodiment of a monitor display showing my new design. The rest of the views of the embodiment of FIG. 9 are the same as those of the embodiment of FIG. 1.

1 Claim, 5 Drawing Sheets

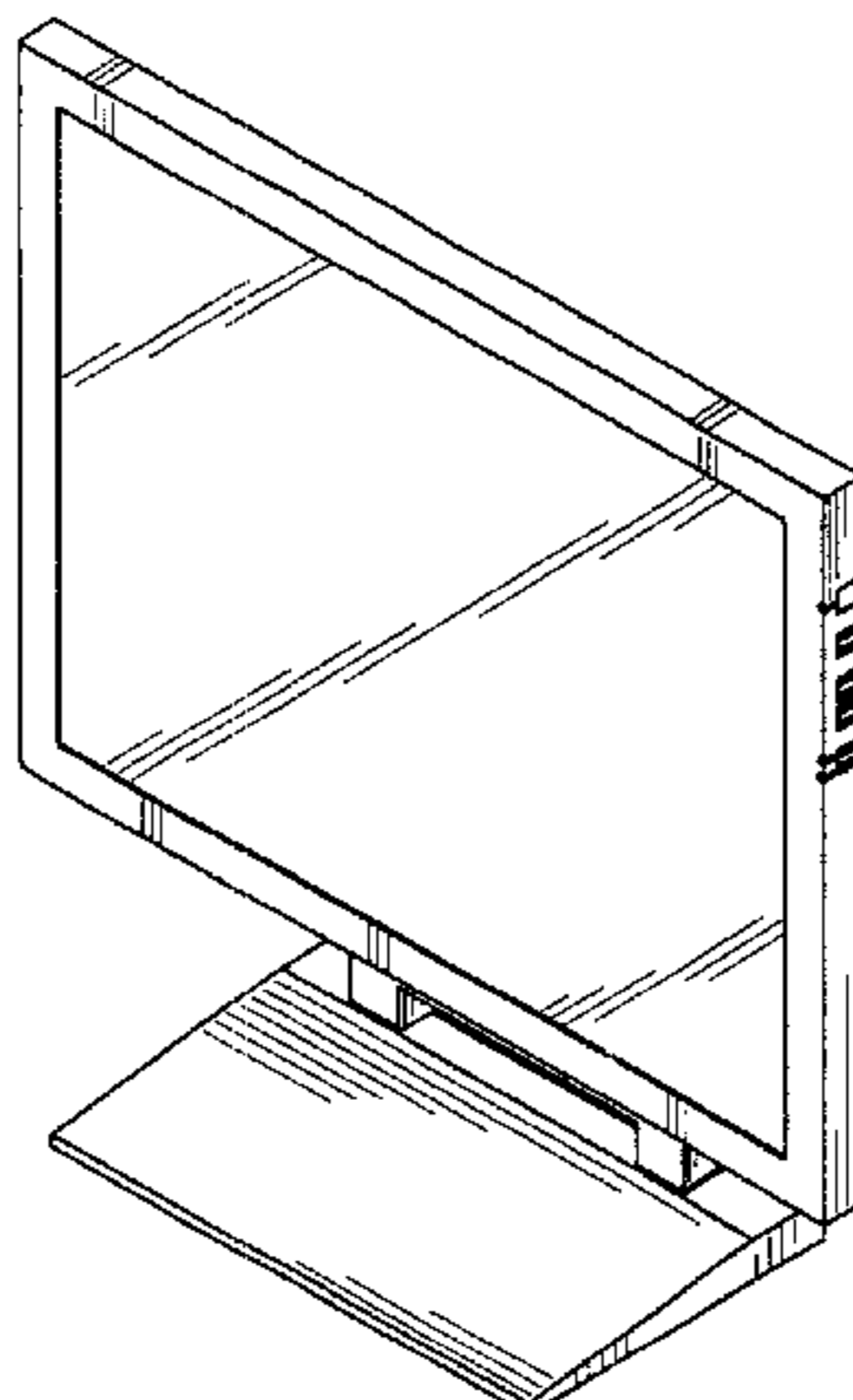
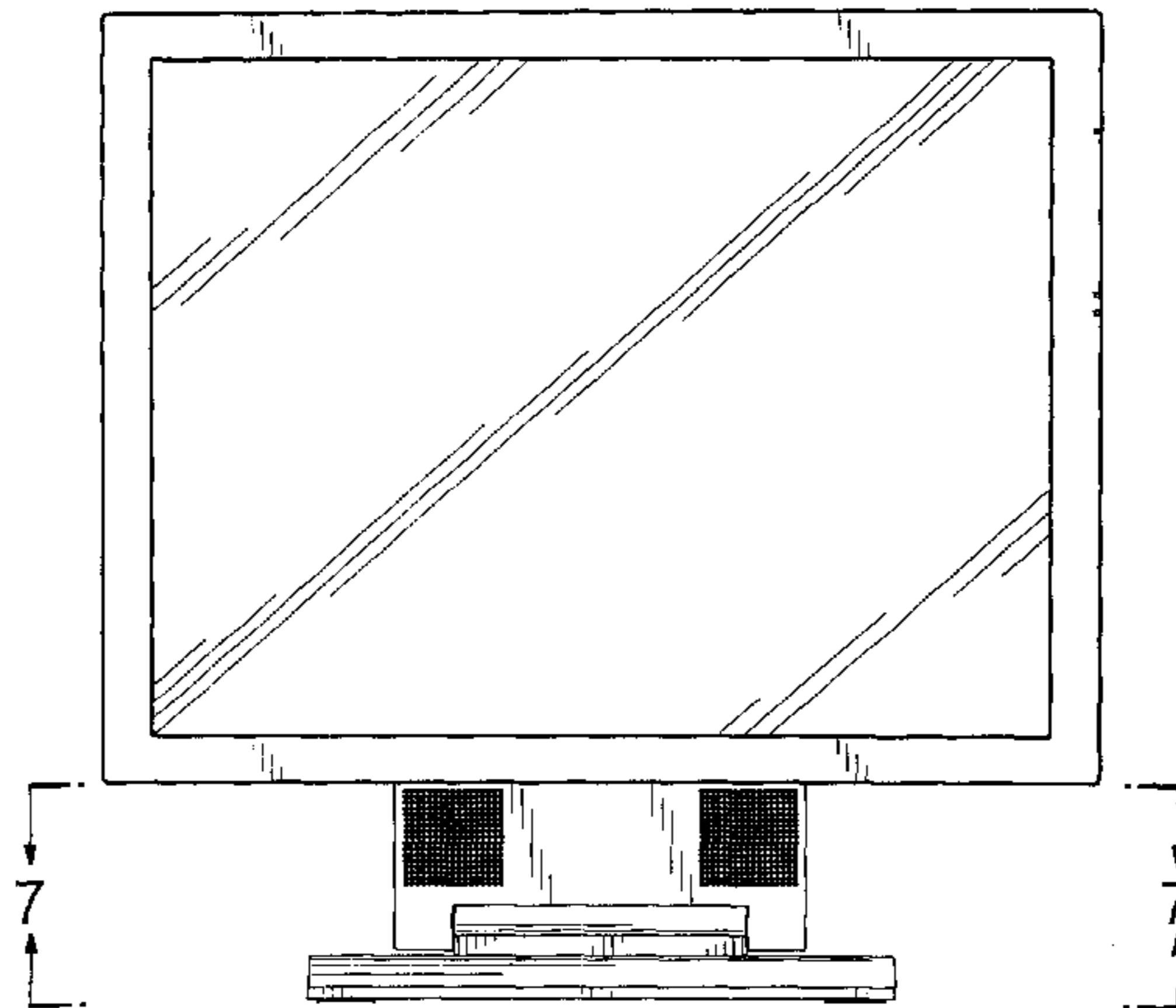


FIG. 1

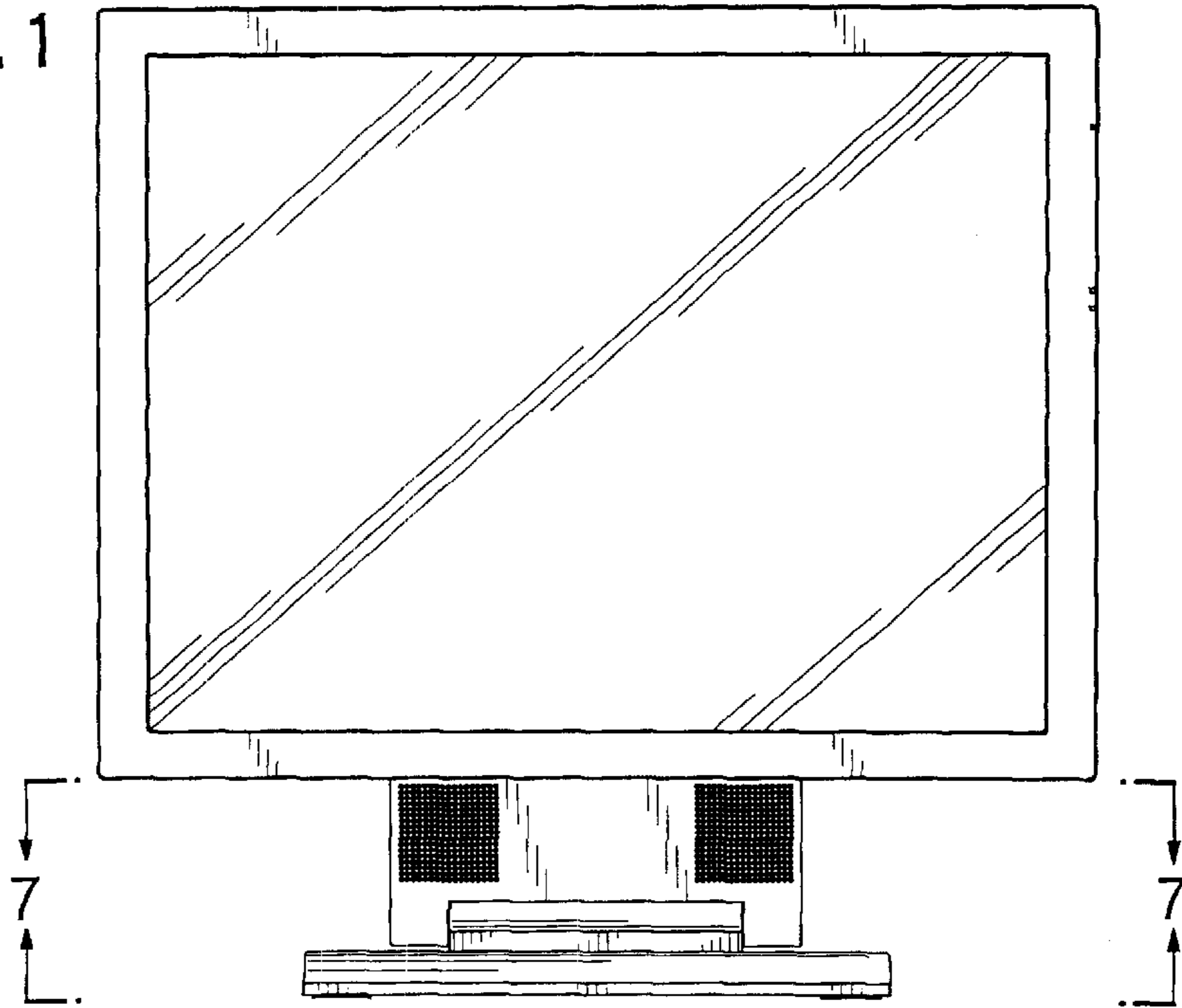


FIG. 2

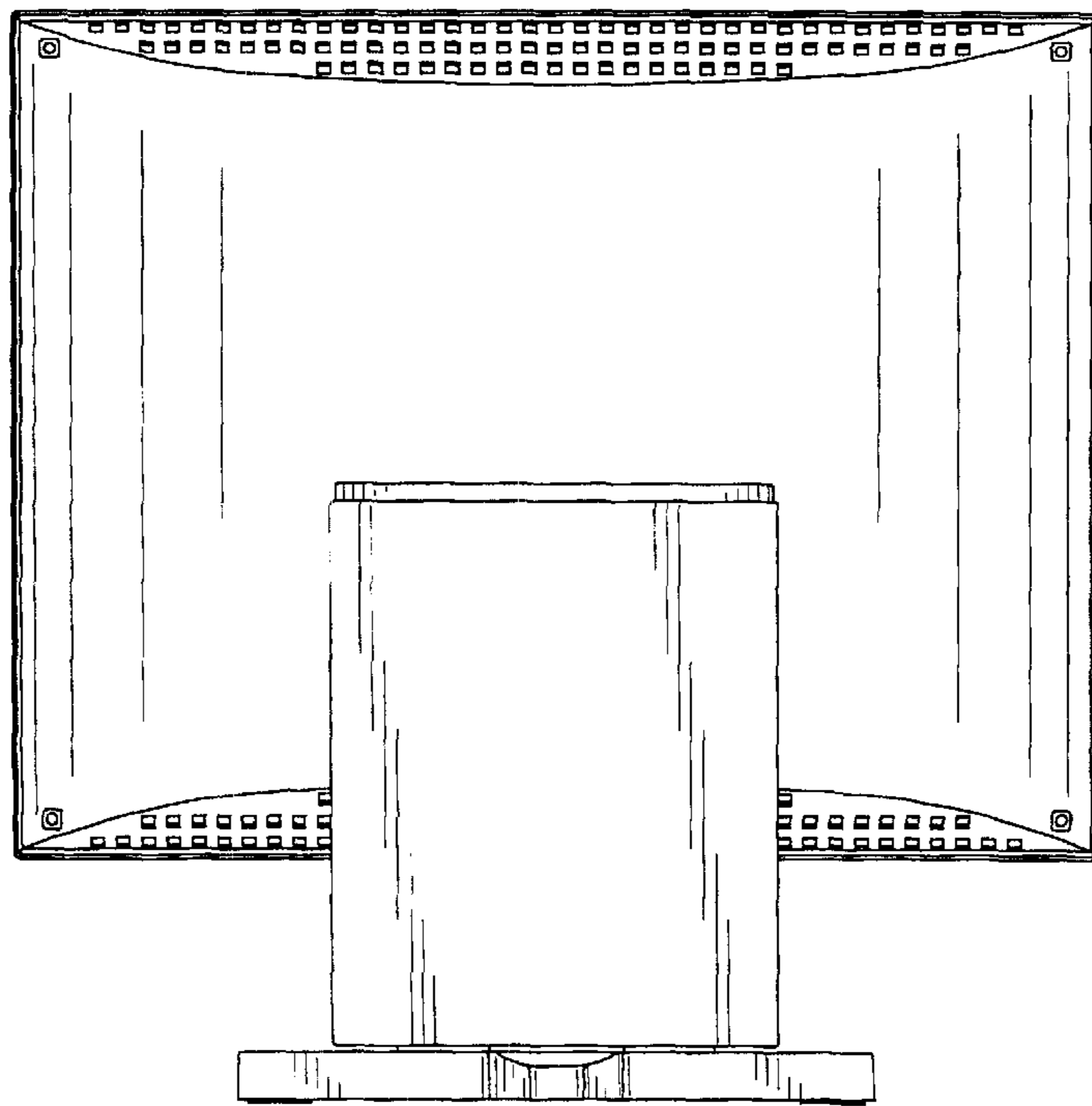


FIG. 3

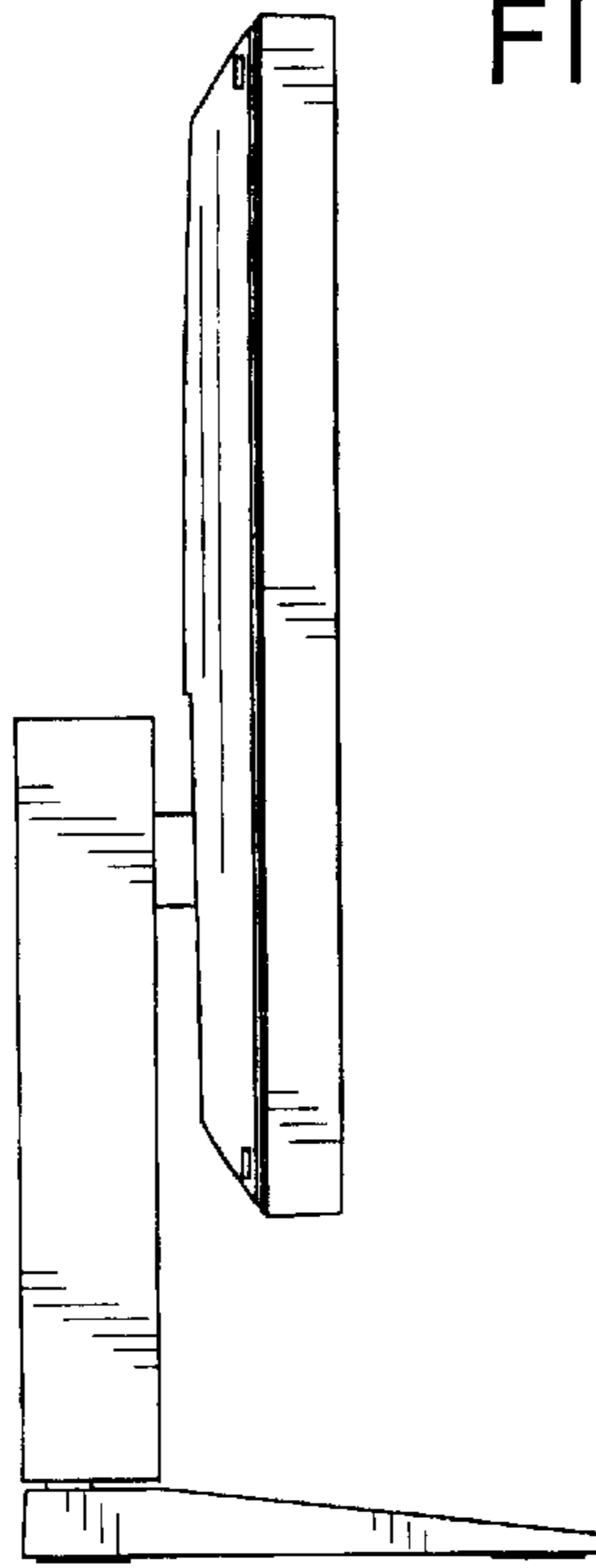


FIG. 4

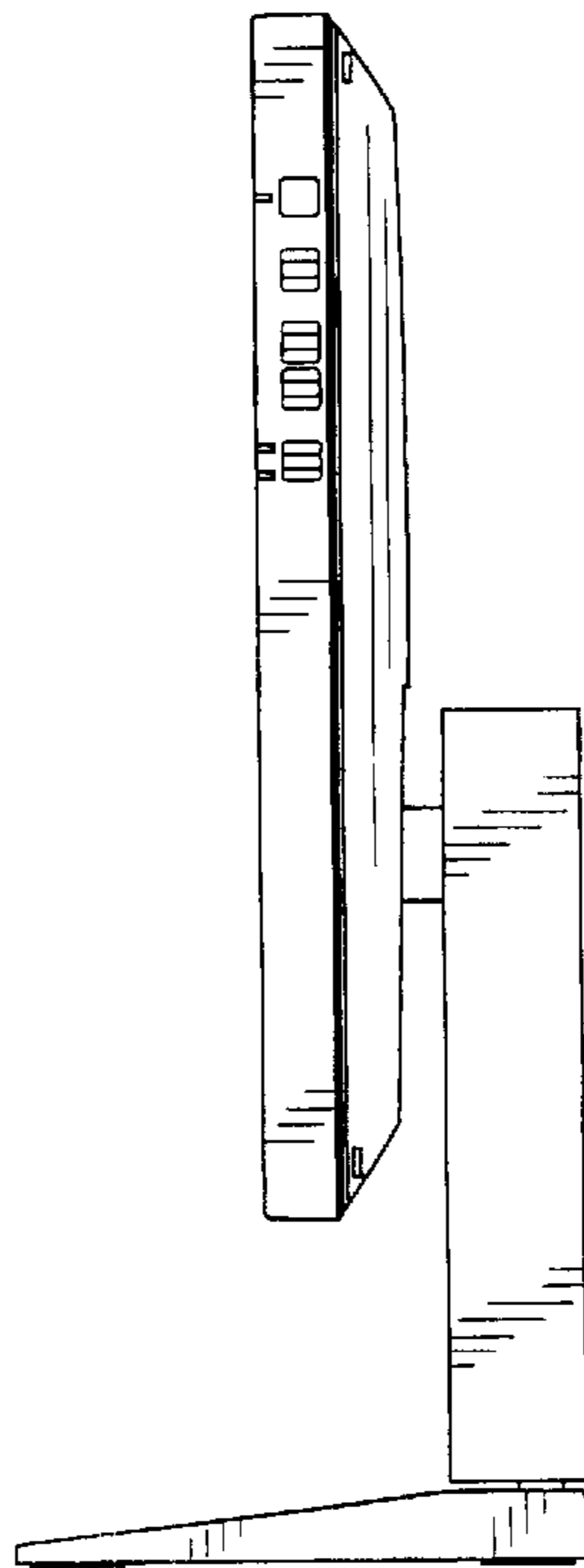


FIG. 5

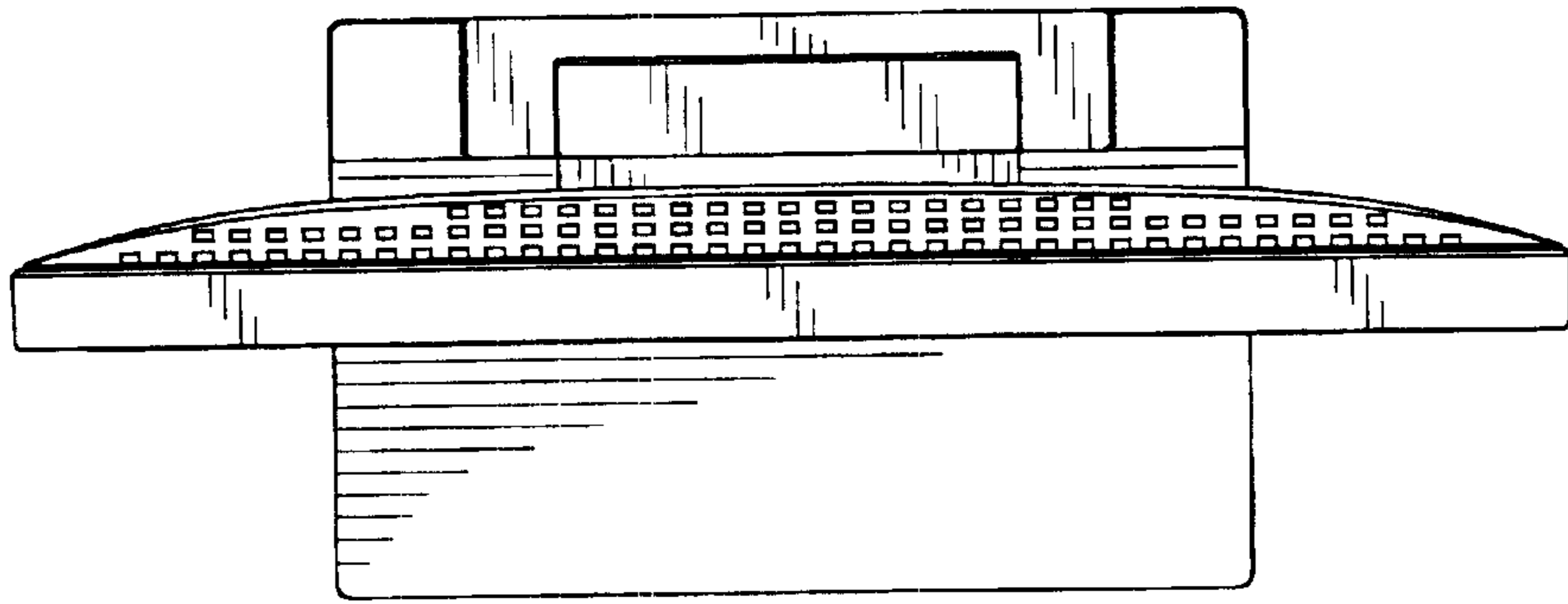


FIG. 6

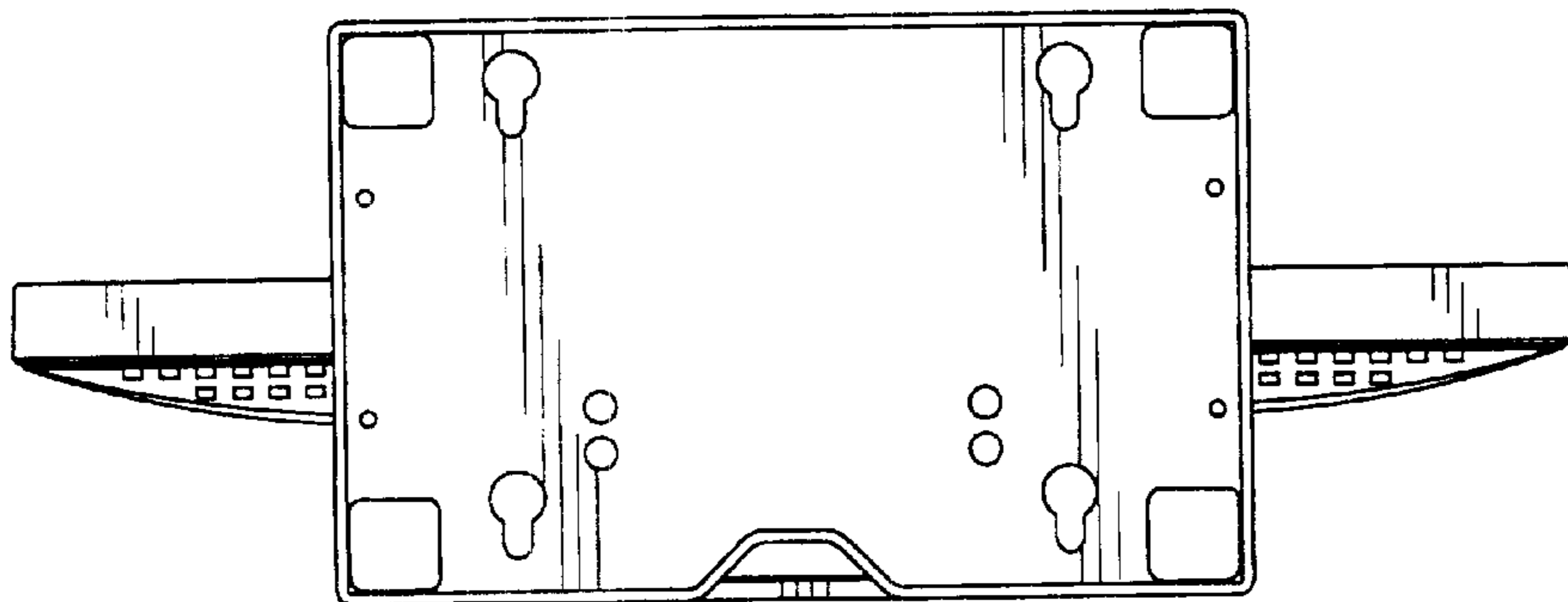


FIG. 7

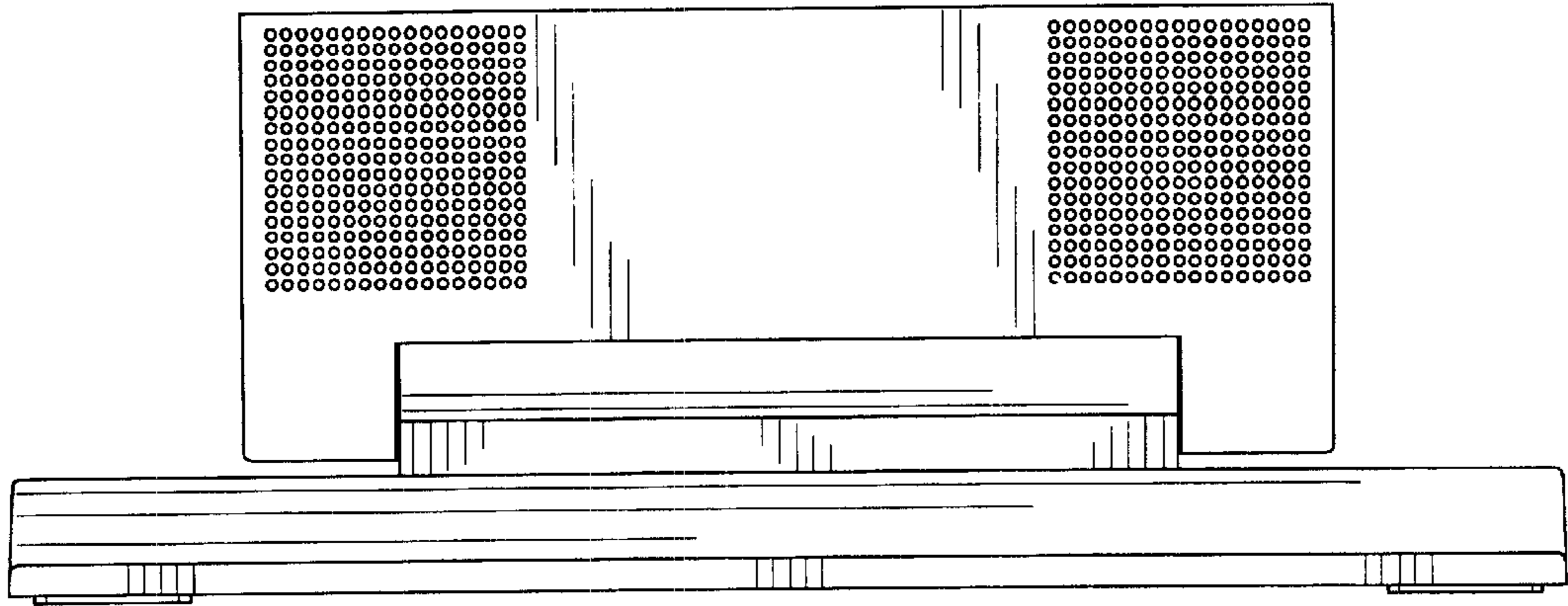


FIG. 8

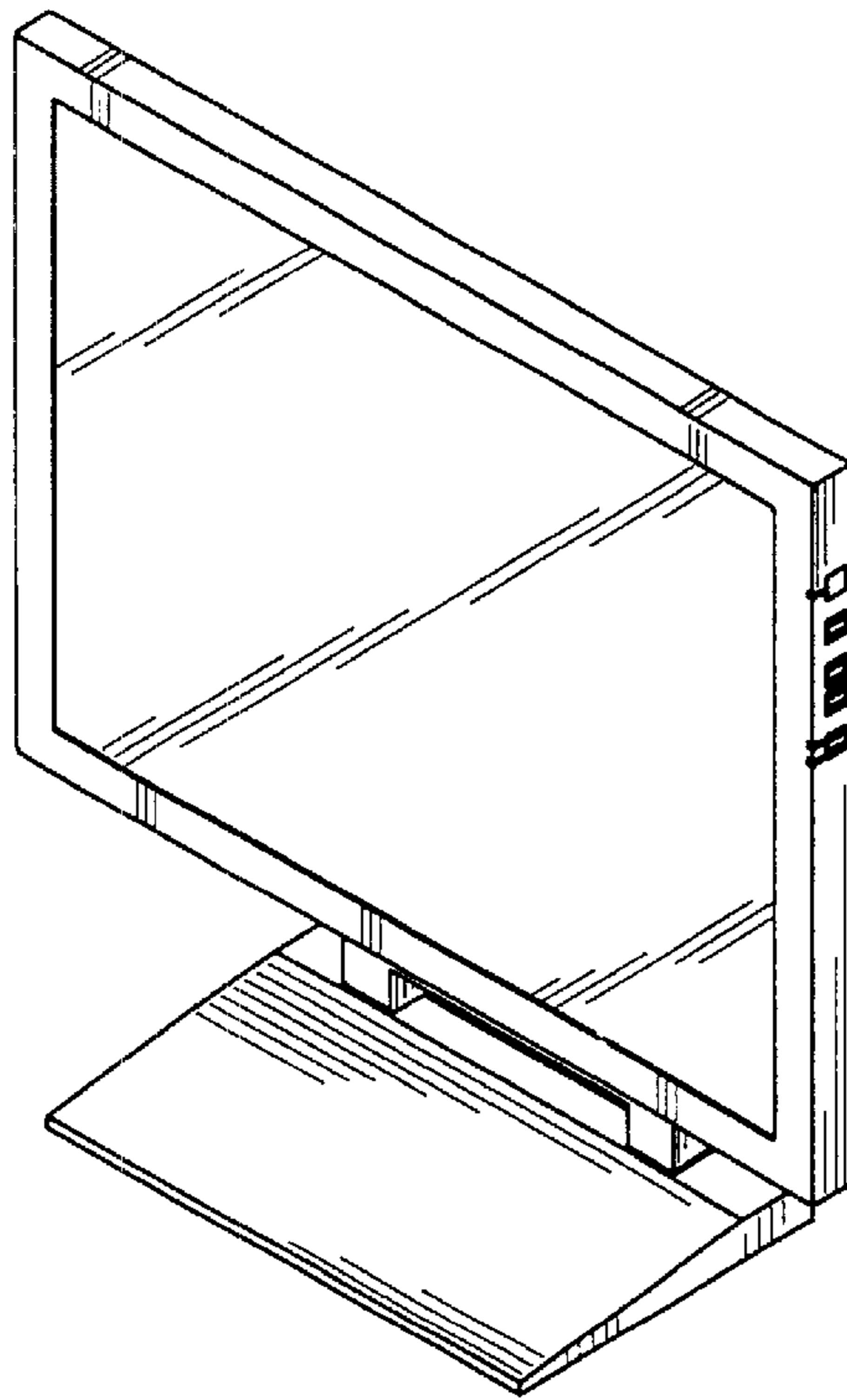


FIG. 9

