



US00D464046S

(12) **United States Design Patent**
Aoki

(10) **Patent No.: US D464,046 S**

(45) **Date of Patent: ** *Oct. 8, 2002**

(54) **SIX GROOVE MAGNETIC TAPE DRIVE HEAD**

(75) Inventor: **Kenji Aoki**, Kawasaki (JP)

(73) Assignee: **Fujitsu Limited**, Kawasaki (JP)

(*) Notice: This patent is subject to a terminal disclaimer.

(**) Term: **14 Years**

(21) Appl. No.: **29/132,916**

(22) Filed: **Nov. 17, 2000**

(51) **LOC (7) Cl.** **14-01**

(52) **U.S. Cl.** **D14/260**

(58) **Field of Search** D14/160-165,
D14/217, 260, 260.1, 299; D25/119-125;
360/60, 75, 77.12, 78.02, 130.21

(56) **References Cited**

U.S. PATENT DOCUMENTS

3,398,870	A	*	8/1968	Mullan et al.	360/122
D251,138	S	*	2/1979	Dillon	D25/123 X
4,875,129	A	*	10/1989	Favrou et al.	360/122
5,034,838	A	*	7/1991	Brock et al.	360/122
5,280,402	A	*	1/1994	Anderson et al.	360/77.12 X
5,491,595	A	*	2/1996	Alsberg et al.	360/77.12 X
5,905,613	A	*	5/1999	Biskeborn et al.	..	360/130.21 X

OTHER PUBLICATIONS

Prior Art I; Fujitsu Limited; "Tape System LT3005" as shown in a perspective drawing; Prior to Dec., 1999.

Prior Art II; Fujitsu Limited; "Tape System LT3005" as shown in an enlarged perspective drawing; Prior to Dec., 1999.

Prior Art III; Fujitsu Limited; "Tape System LT 3005" as shown in the enlarged drawing of the bottom view; Prior to Dec., 1999.

Prior Art IV; Fujitsu Limited; undated.

* cited by examiner

Primary Examiner—Nanda Bondade

(74) *Attorney, Agent, or Firm*—Greer, Burns & Crain, Ltd.

(57) **CLAIM**

The ornamental design for a six groove magnetic tape drive head, as shown and described.

DESCRIPTION

FIG. 1 is a perspective view of a six groove magnetic tape drive head;

FIG. 2 is a rear elevational view;

FIG. 3 is a front elevational view;

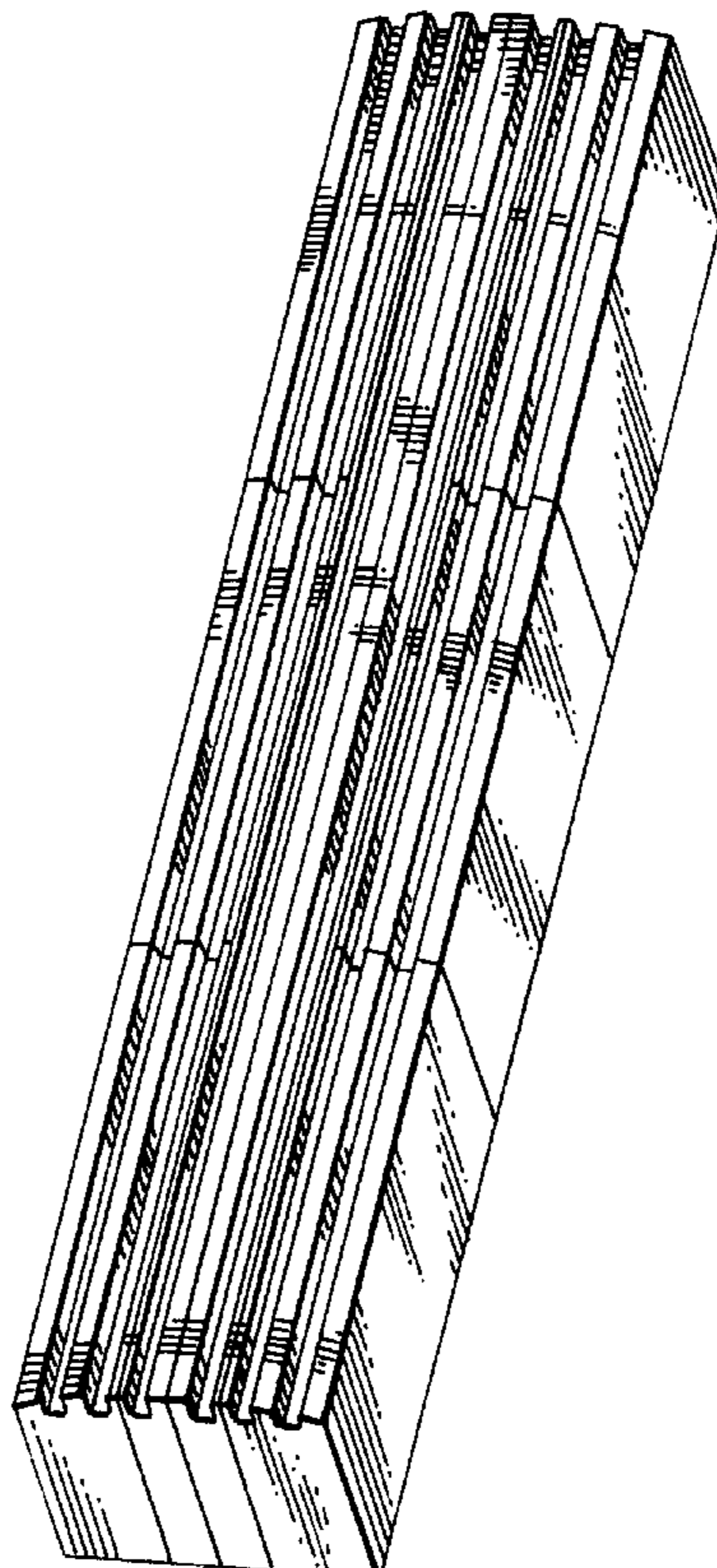
FIG. 4 is a left side elevational view;

FIG. 5 is a right side elevational view;

FIG. 6 is a top plan view; and,

FIG. 7 is a bottom plan view.

1 Claim, 2 Drawing Sheets



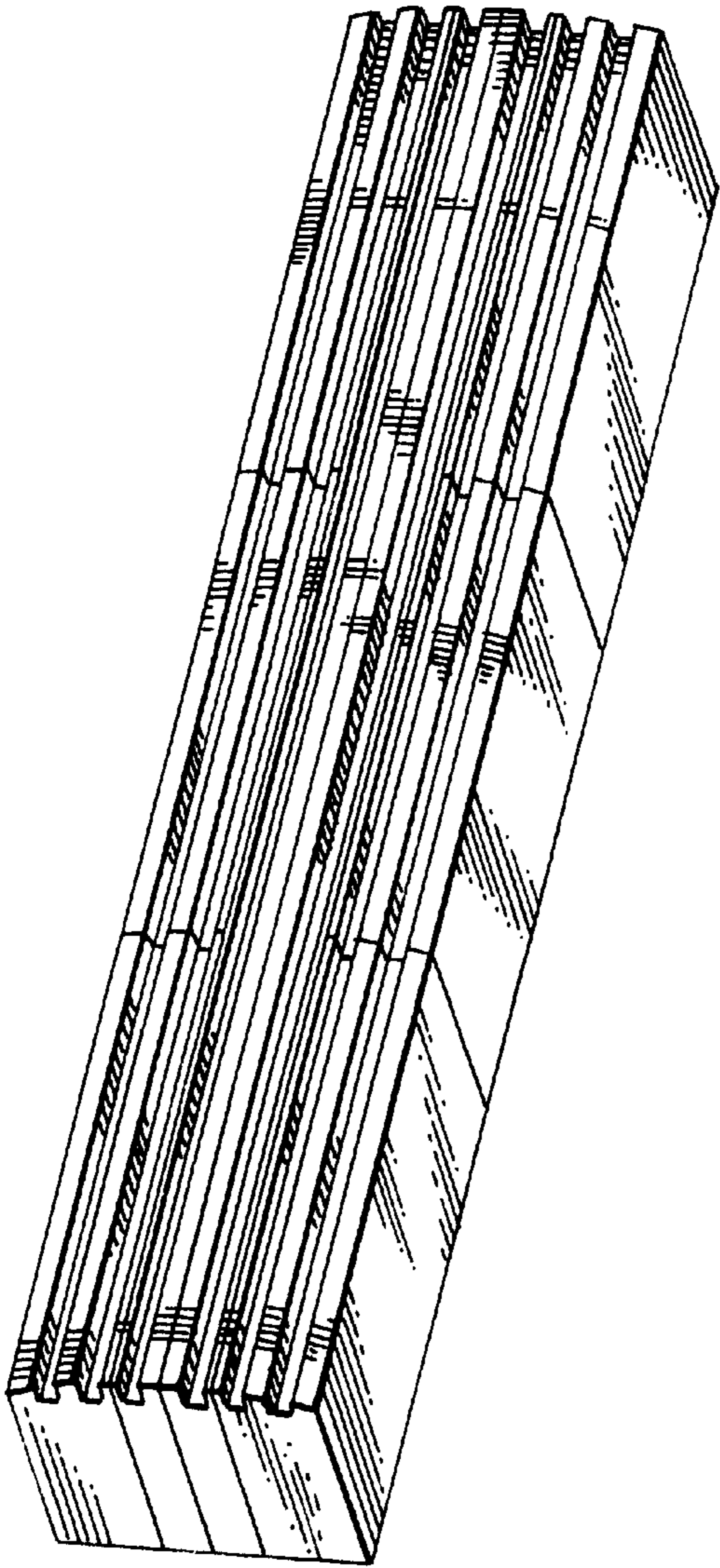


Fig. 1

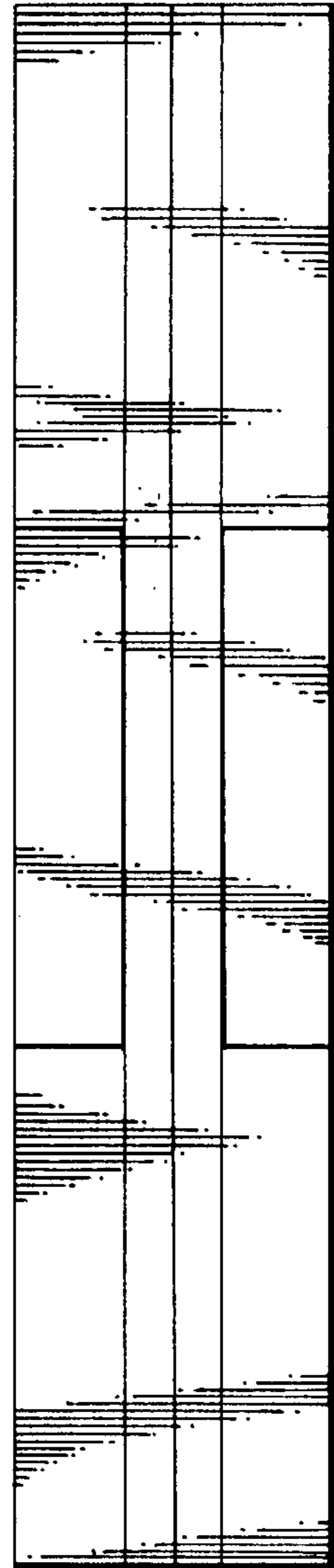


Fig. 2

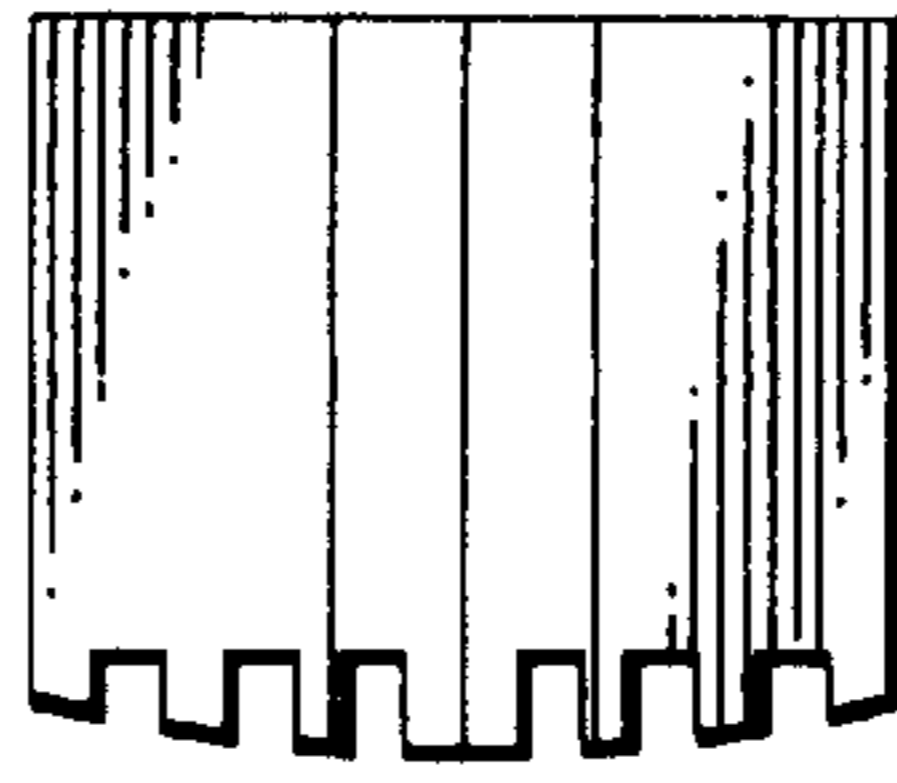


Fig. 6

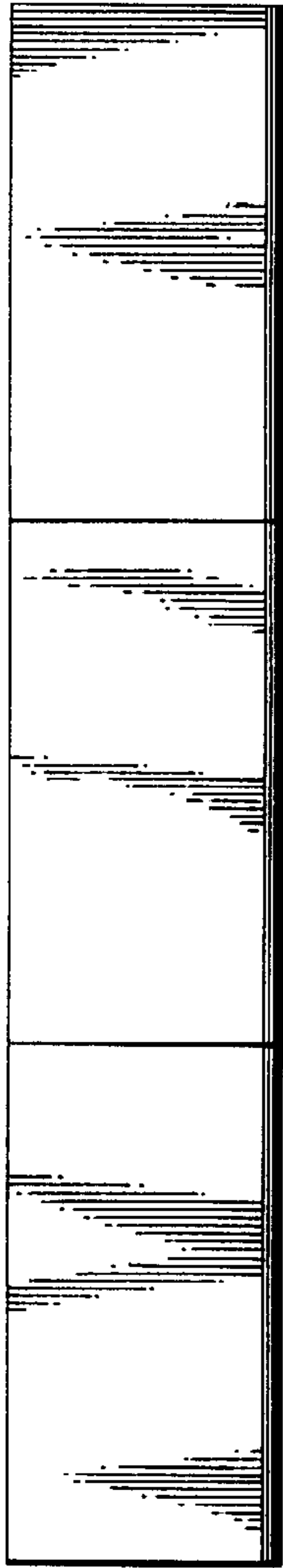


Fig. 4

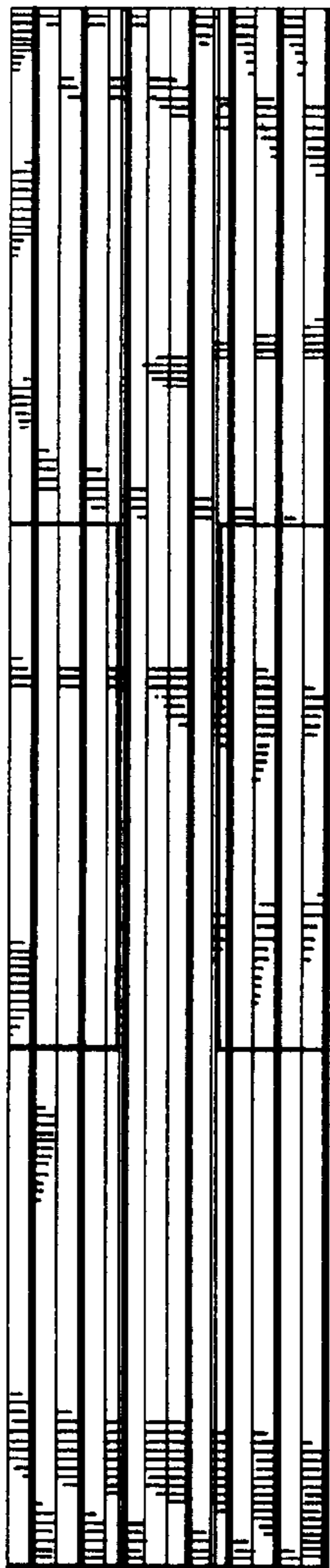


Fig. 3

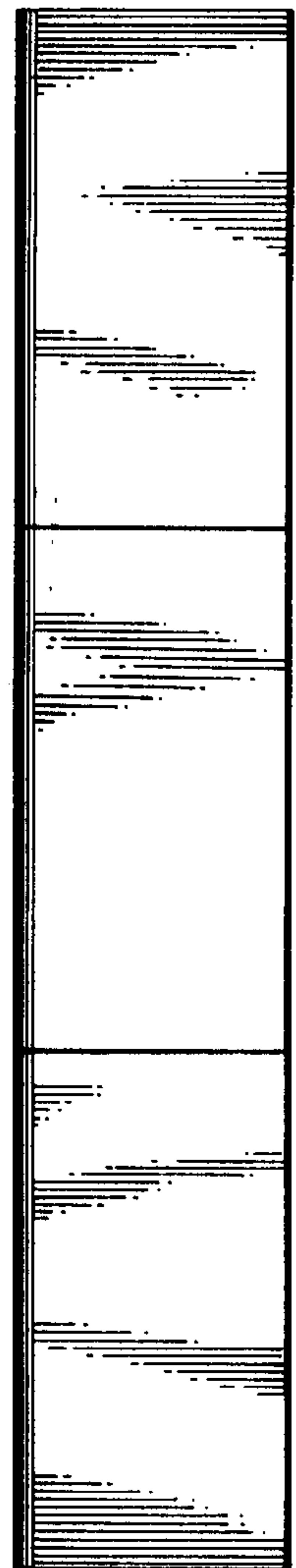


Fig. 5

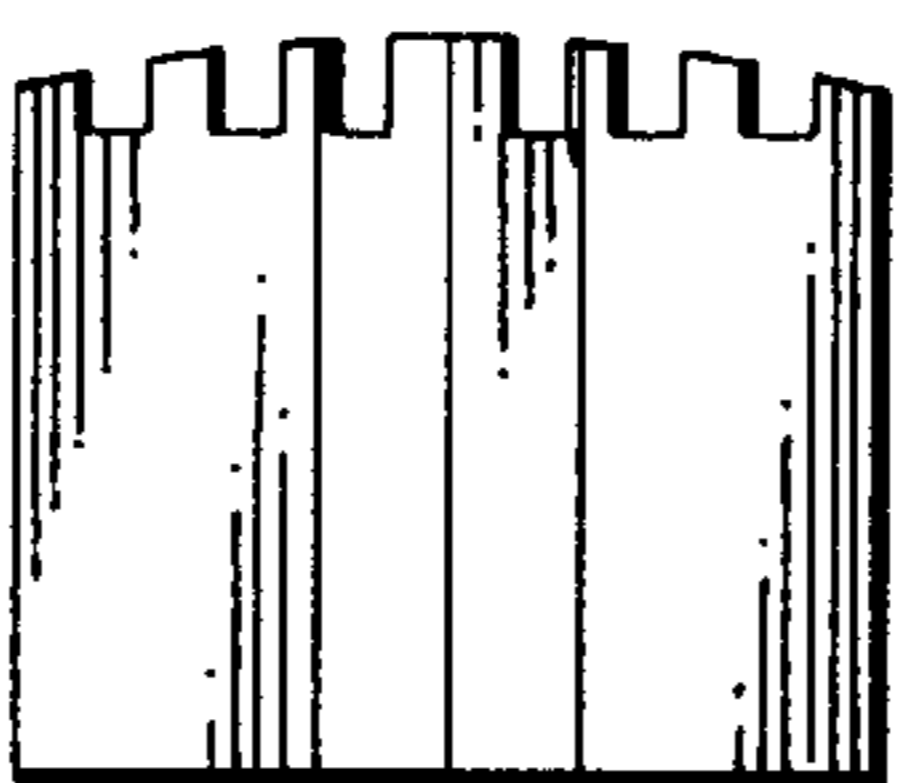


Fig. 7