



US00D464045S

(12) **United States Design Patent**  
**Bohne**

(10) **Patent No.:** **US D464,045 S**

(45) **Date of Patent:** **\*\* Oct. 8, 2002**

(54) **COMMUNICATION DEVICE/GATEWAY**

(75) **Inventor:** **Ulrica Bohne, Johanneshov (SE)**

(73) **Assignee:** **Nokia Corporation, Espoo (FI)**

(\*\*) **Term:** **14 Years**

(21) **Appl. No.:** **29/145,730**

(22) **Filed:** **Jul. 27, 2001**

(30) **Foreign Application Priority Data**

Apr. 4, 2001 (FI) ..... M-20010230

(51) **LOC (7) Cl.** ..... **14-03**

(52) **U.S. Cl.** ..... **D14/240**

(58) **Field of Search** ..... D14/137, 240,  
D14/138, 242, 308, 356, 357, 358, 311,  
313, 441, 144, 348-355, 370, 341-347,  
125, 432, 433, 155, 299, 257, 439, 140,  
188, 230, 241, 243, 245; 379/433.01-433.13,  
419, 434, 428.01-428.04, 420.01-420.04,  
440, 441, 442; 455/550-575, 90; D13/184,  
123, 152, 147, 110

(56) **References Cited**

**U.S. PATENT DOCUMENTS**

D355,172 S \* 2/1995 Hadaegh ..... D14/242  
D363,722 S \* 10/1995 Aldridge et al. .... D14/242  
D372,474 S \* 8/1996 Ford et al. .... D14/149  
D375,297 S \* 11/1996 Casarez et al. .... D14/358  
D393,463 S \* 4/1998 Beaumont et al. .... D14/149  
D394,266 S \* 5/1998 Hogenbirk ..... D14/240

D406,145 S \* 2/1999 Radakovic ..... D14/242  
D410,469 S \* 6/1999 Sathikh ..... D14/242  
D411,535 S \* 6/1999 Beaumont et al. .... D14/137  
D413,578 S \* 9/1999 Larson et al. .... D13/152  
D418,822 S \* 1/2000 Worley et al. .... D14/356  
D423,513 S \* 4/2000 McKinnon et al. .... D14/240  
D425,484 S \* 5/2000 Ahlgren ..... D13/147  
D425,517 S \* 5/2000 Wheatley et al. .... D14/240  
D438,197 S \* 2/2001 Arpe ..... D14/240  
D438,532 S \* 3/2001 Gargani et al. .... D14/240  
D438,533 S \* 3/2001 Arpe ..... D14/240  
6,328,612 B1 \* 12/2001 Chung ..... 439/717

**FOREIGN PATENT DOCUMENTS**

FI 21642 1/2001

\* cited by examiner

*Primary Examiner*—Jeffrey Asch

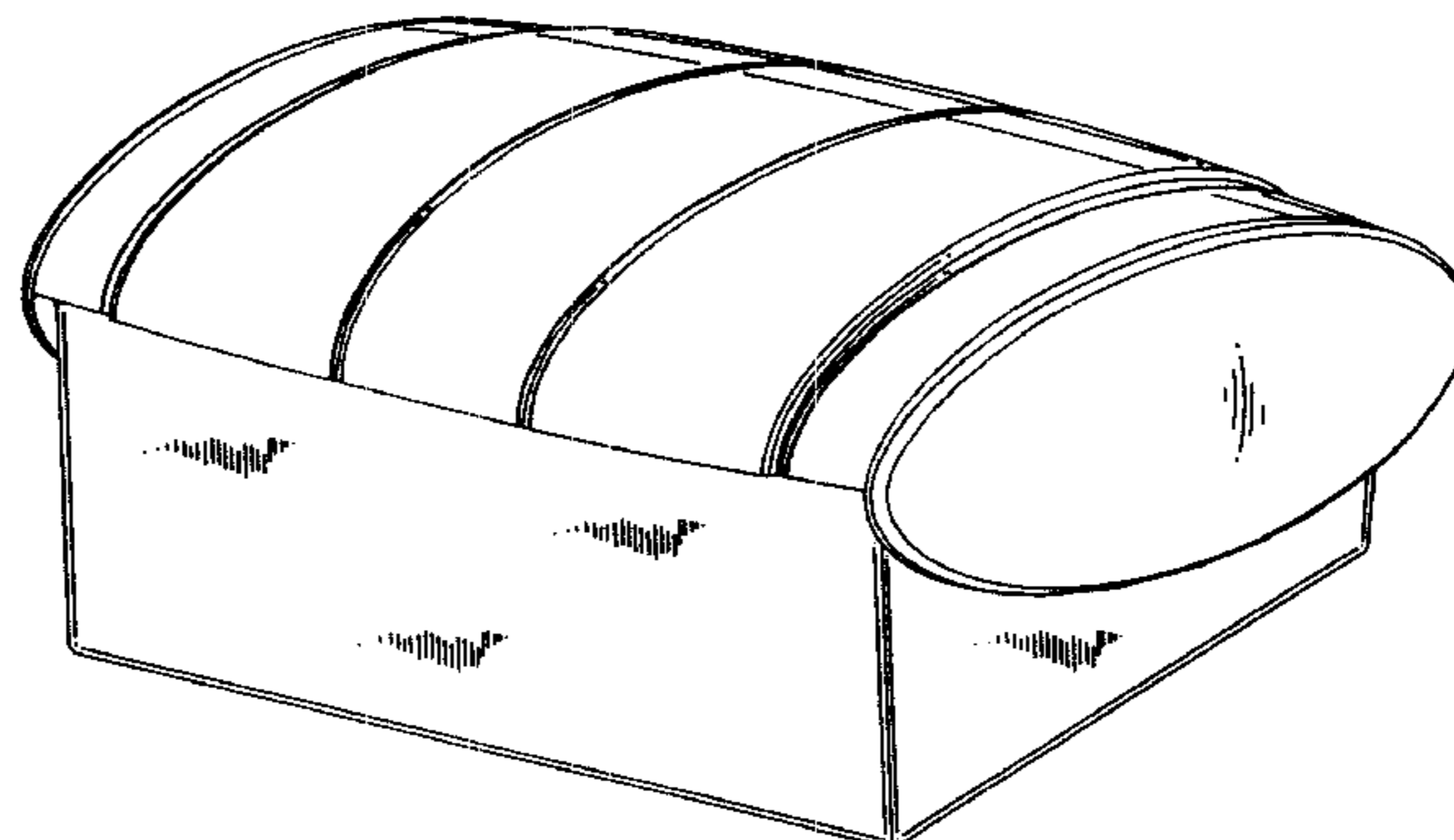
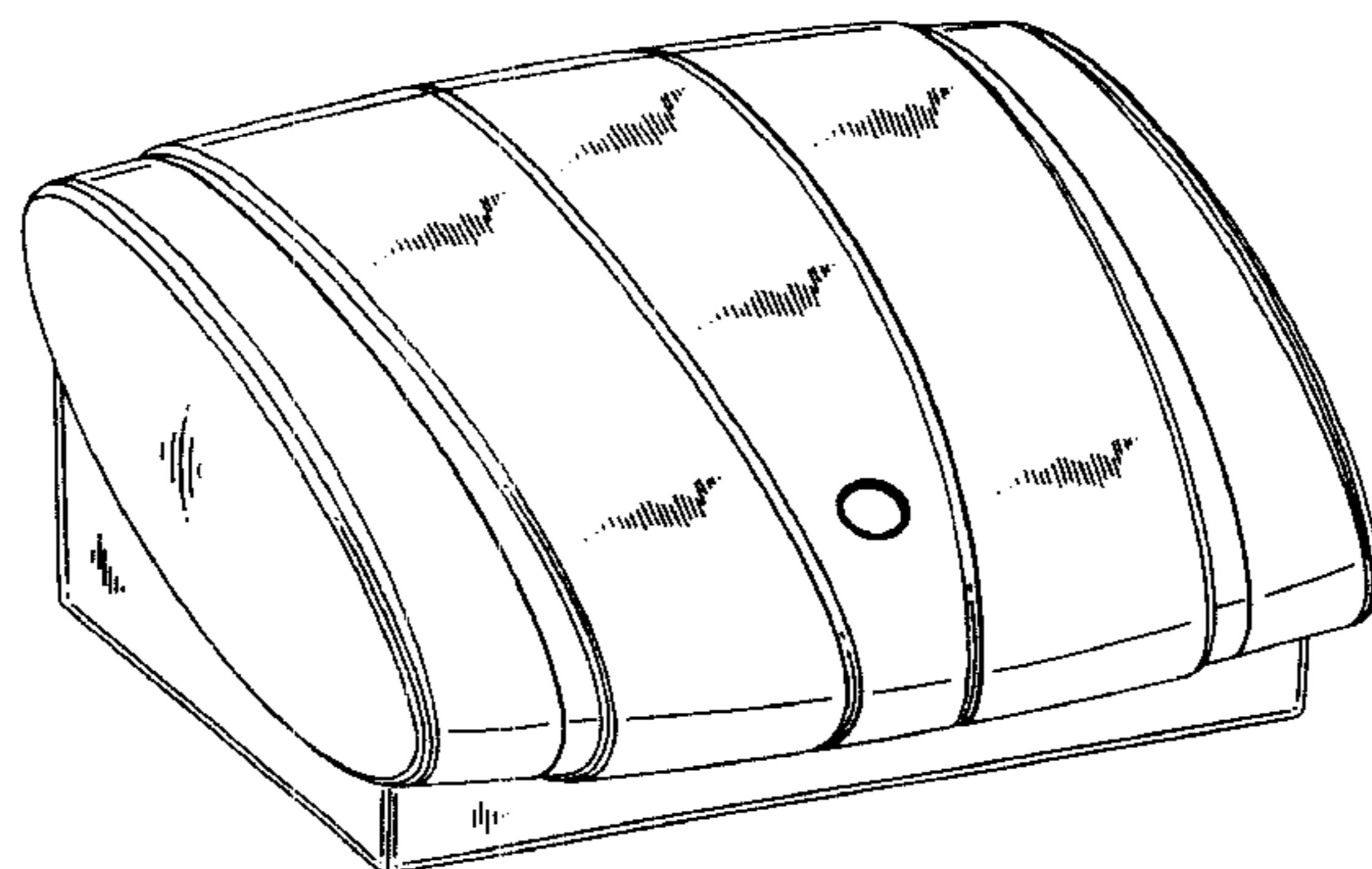
(57) **CLAIM**

I claim the ornamental design for the communication device/  
gateway, as shown.

**DESCRIPTION**

FIG. 1 is a front view of the communication device/gateway;  
FIG. 2 is a left side view thereof;  
FIG. 3 is a top plan view thereof;  
FIG. 4 is a right side view thereof;  
FIG. 5 is a rear view thereof;  
FIG. 6 is a perspective front view thereof;  
FIG. 7 is a perspective rear view thereof; and,  
FIG. 8 is a bottom plan view thereof.

**1 Claim, 8 Drawing Sheets**



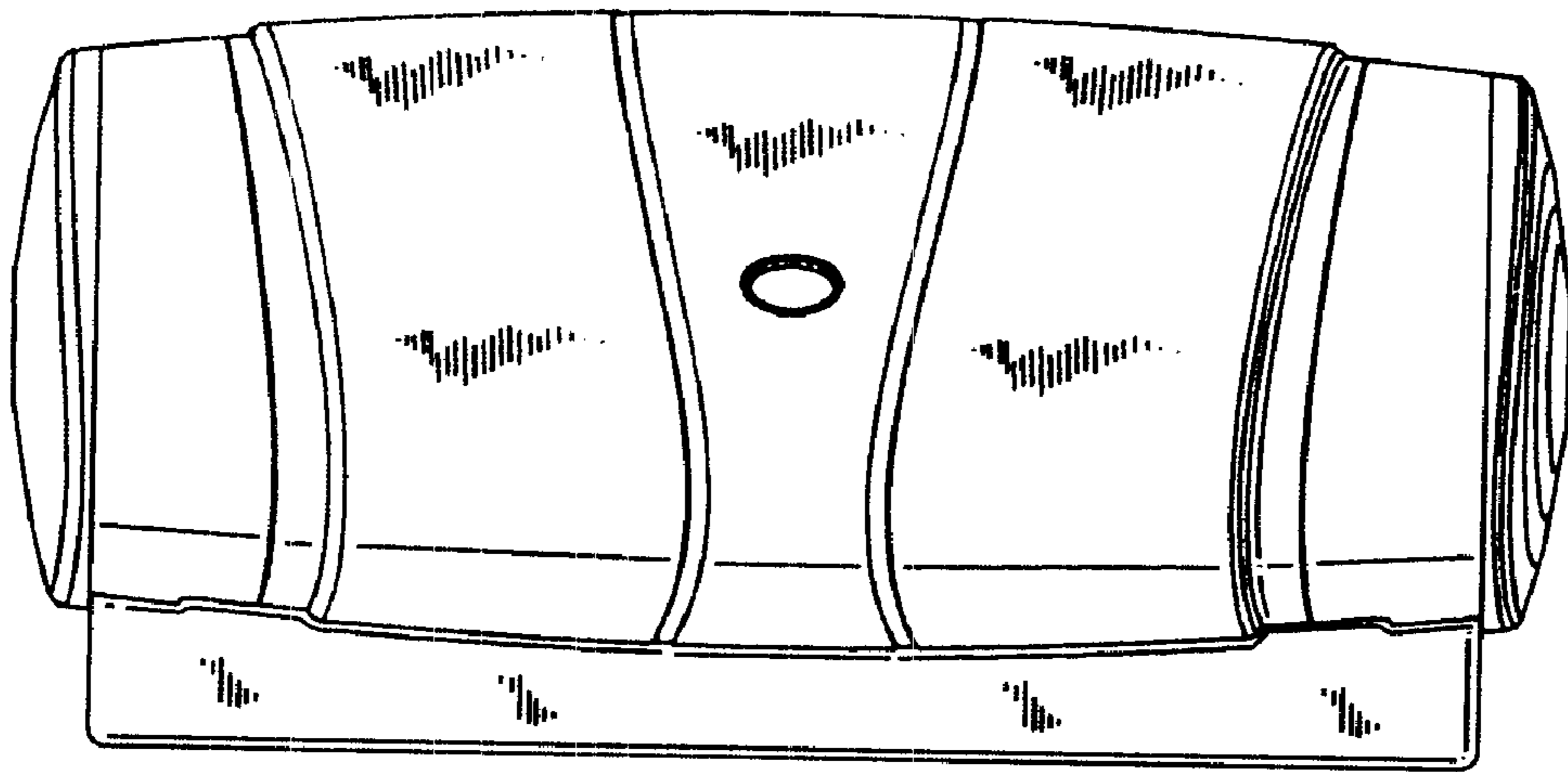


Fig. 1

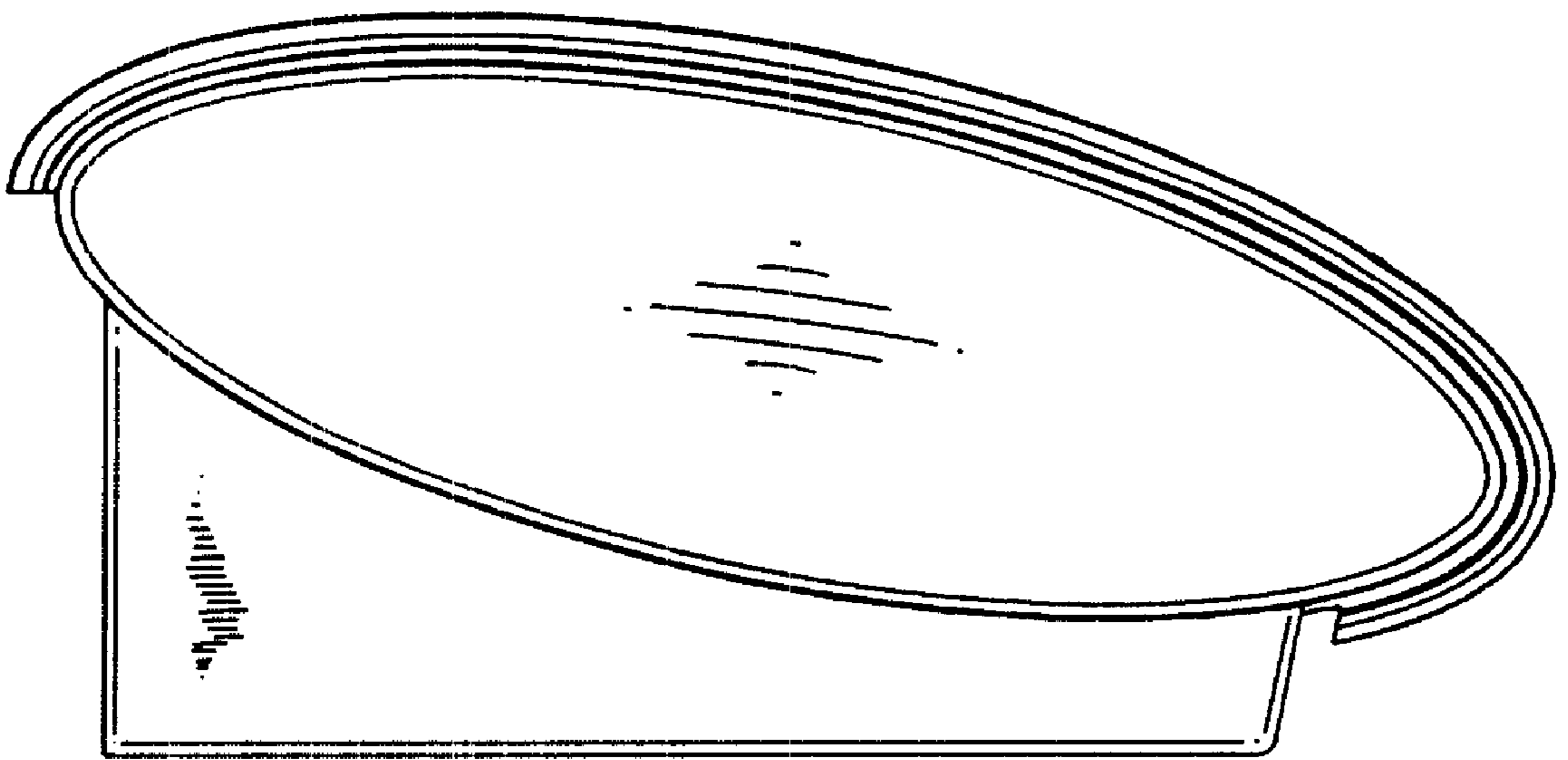


Fig. 2

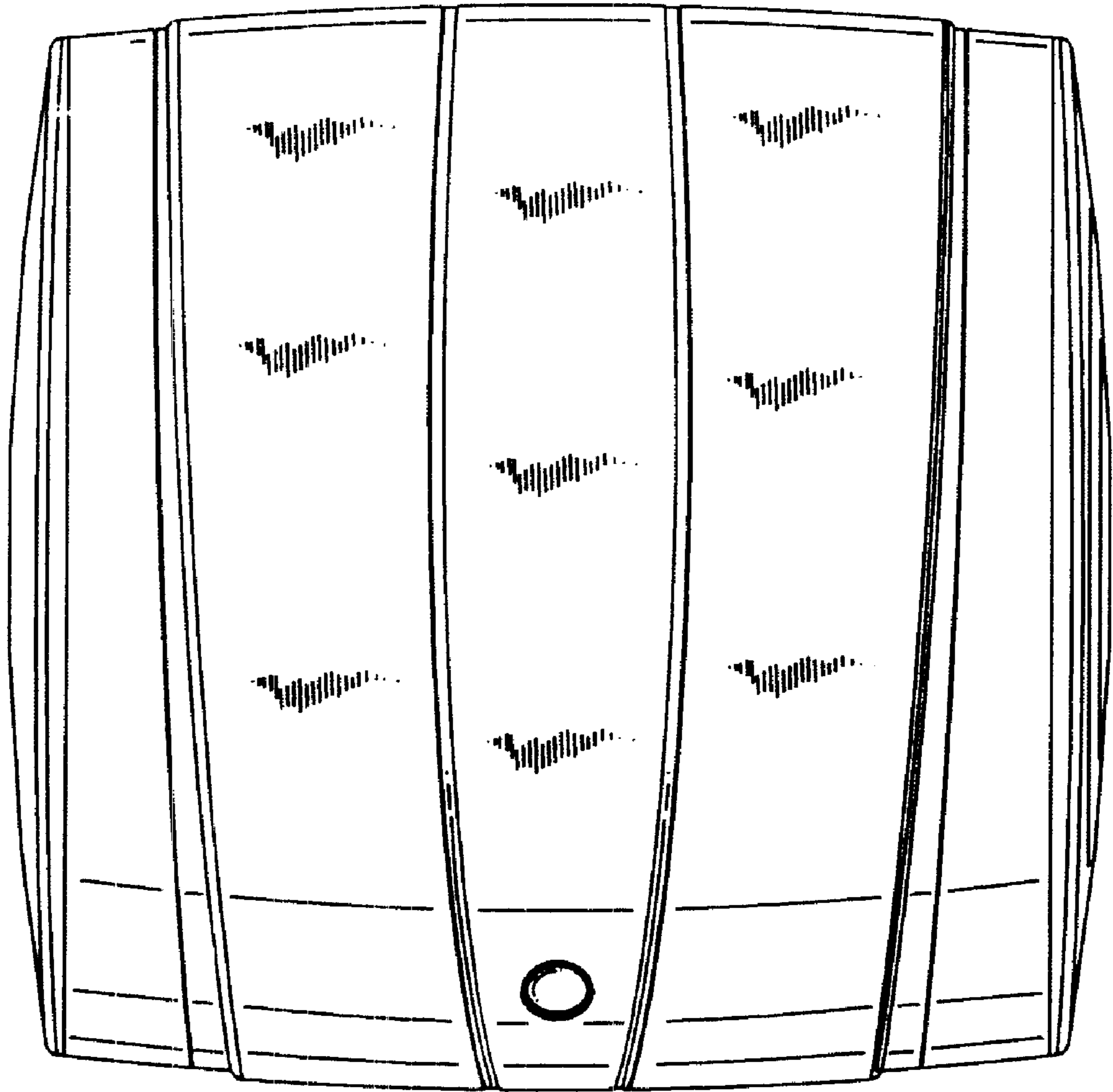


Fig. 3

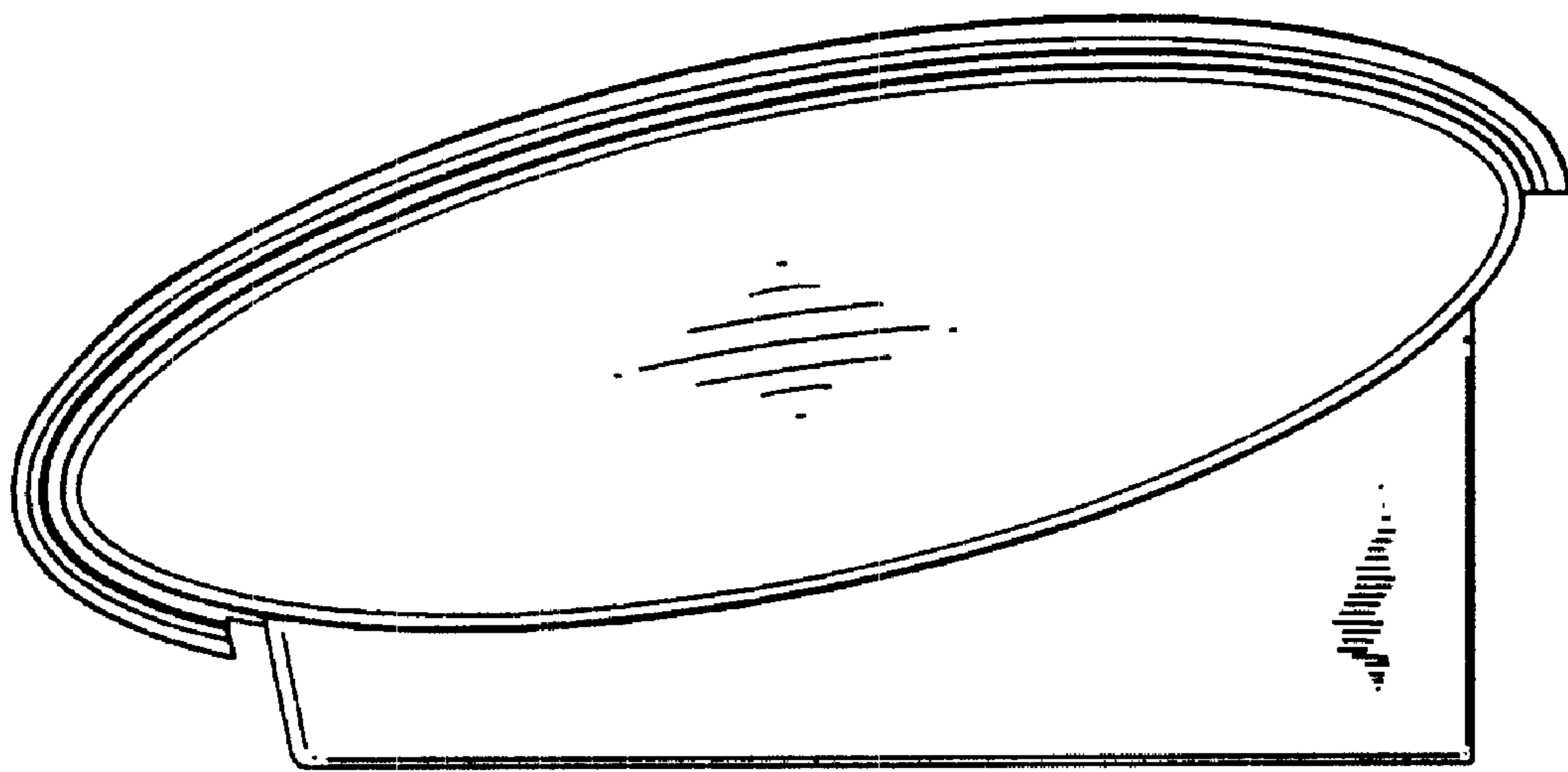


Fig. 4

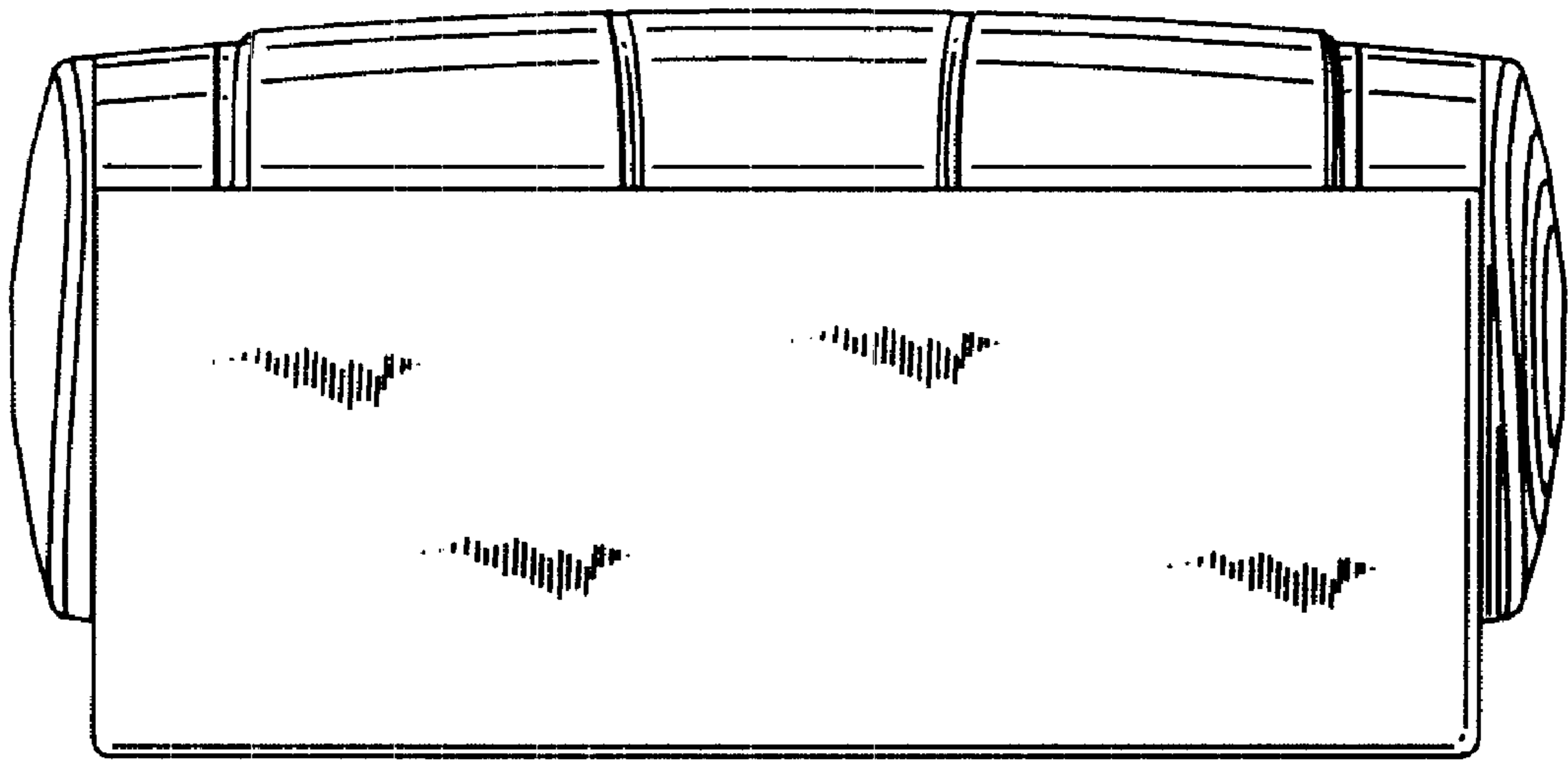


Fig. 5

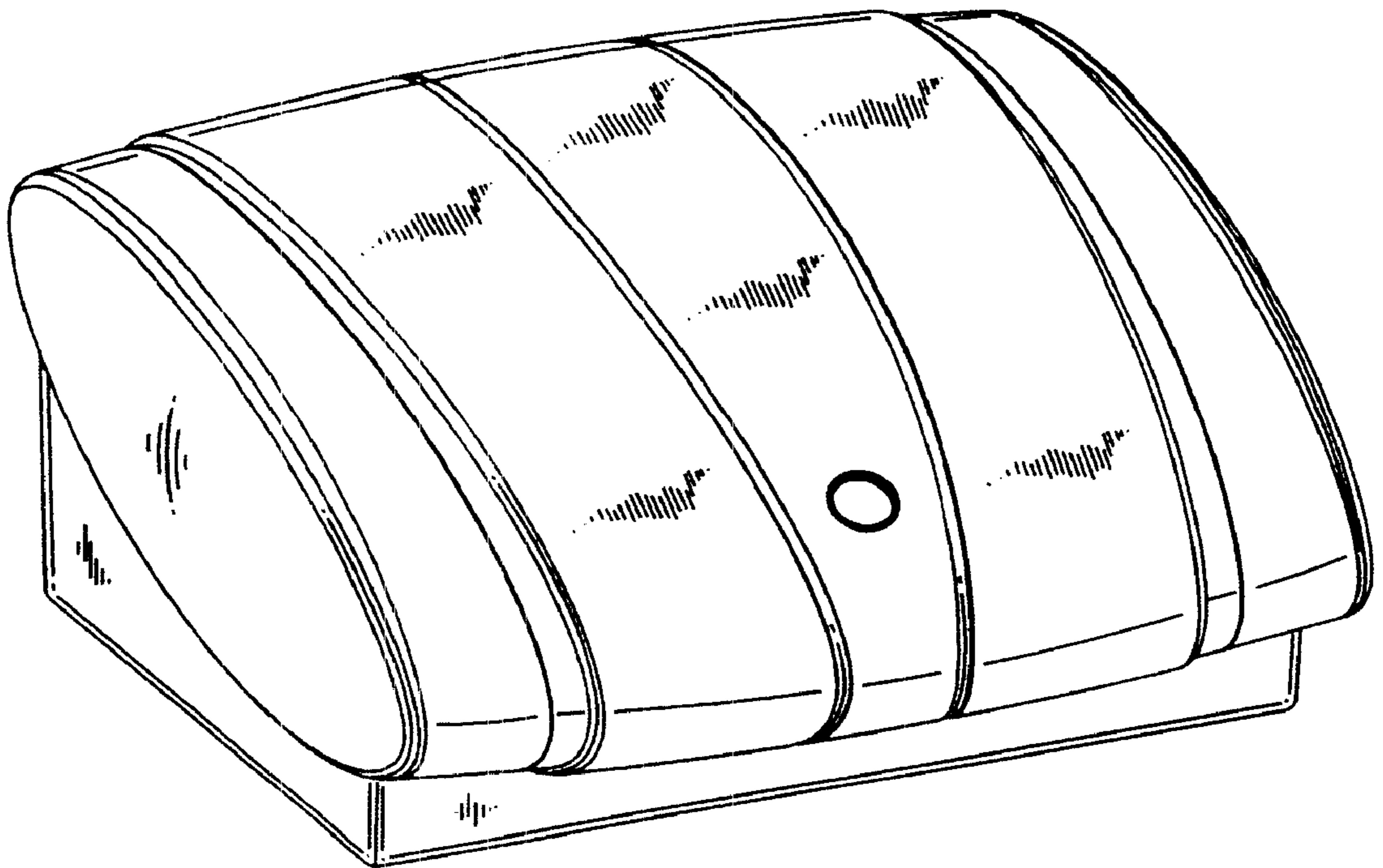


Fig. 6

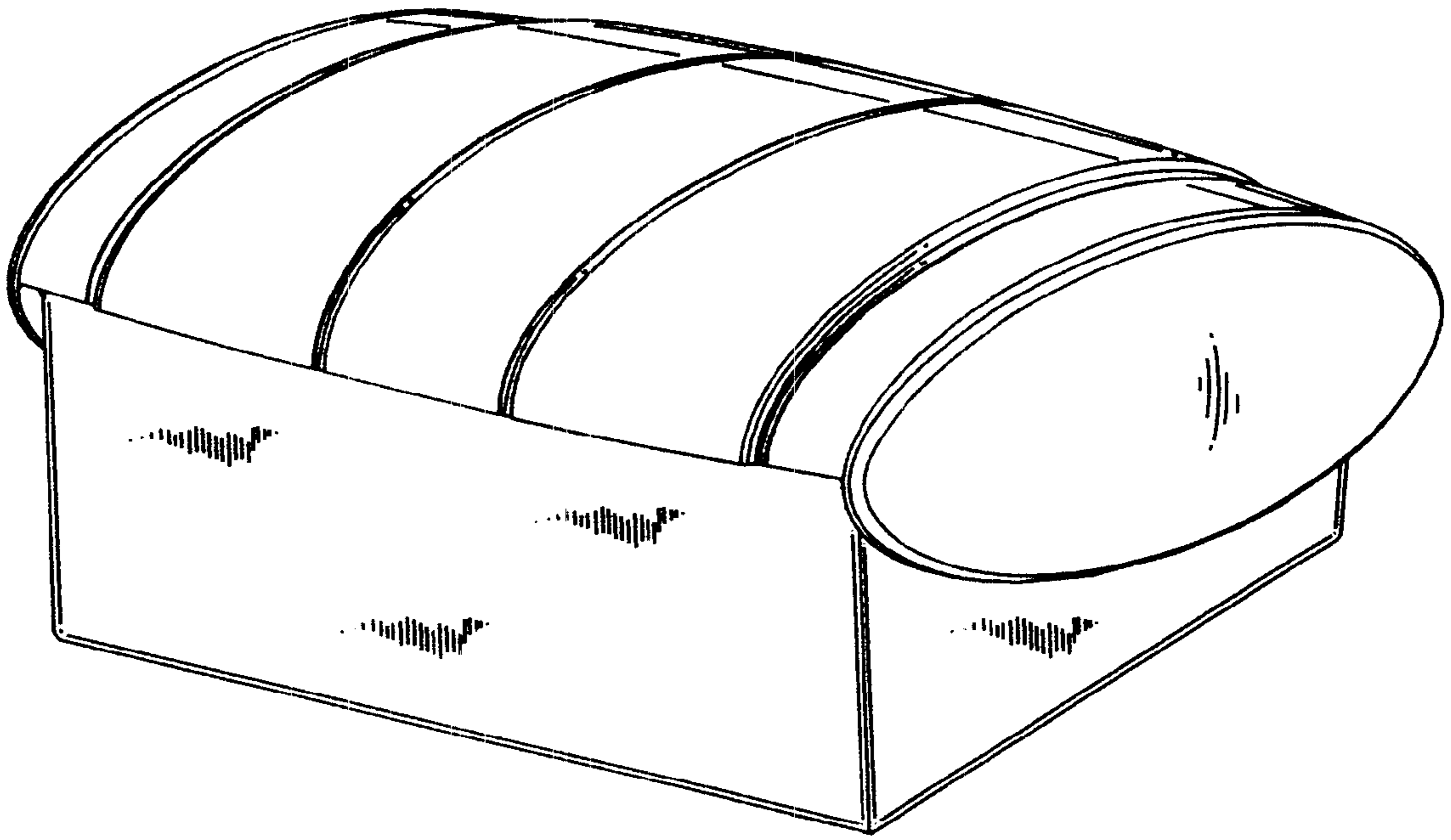


Fig. 7



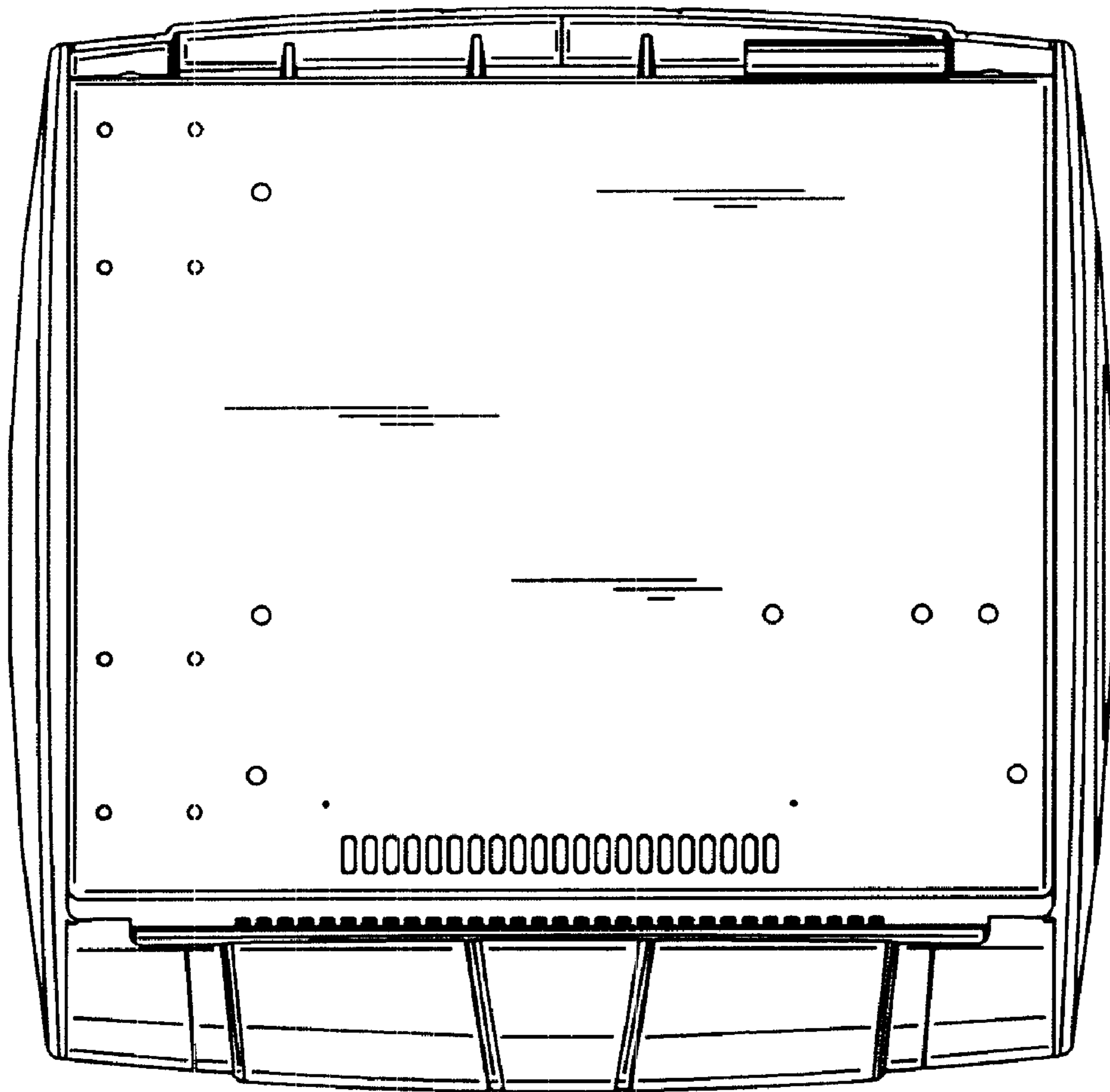


Fig. 8