



US00D464031S

(12) **United States Design Patent**
Gillingham

(10) **Patent No.:** **US D464,031 S**

(45) **Date of Patent:** **** Oct. 8, 2002**

(54) **RECEIVER HOUSING**

D424,466 S * 5/2000 Morrow et al. D10/106

* cited by examiner

(75) **Inventor:** **James Robert Gillingham**, Costa Mesa, CA (US)

Primary Examiner—James Gandy

Assistant Examiner—Selina Sikder

(73) **Assignee:** **Elite Phone Entry**, Lake Forest, CA (US)

(74) *Attorney, Agent, or Firm*—Levin & Hawes LLP

(**) **Term:** **14 Years**

(57) **CLAIM**

The ornamental design for a receiver housing, as shown and described.

(21) **Appl. No.:** **29/140,635**

(22) **Filed:** **Apr. 20, 2001**

DESCRIPTION

(51) **LOC (7) Cl.** **13-03**

(52) **U.S. Cl.** **D13/184**

(58) **Field of Search** D13/162, 164, D13/184, 199; D10/104, 106, 108, 121; D14/188, 198; 43/139, 140, 340; 318/266, 466, 467, 480; 381/77, 89, 100; 45/325-355

FIG. 1 is a perspective view of a receiver housing with the front cover open, showing my new design;

FIG. 2 is a top view of the present invention with its front cover open;

FIG. 3 is a front view of the present invention with its front cover open;

FIG. 4 is a bottom view of the present invention with its front cover open;

FIG. 5 is view of a right side of the present invention with its front cover open, the left side being a mirror image;

FIG. 6 is a front perspective view of the present invention with its front cover closed;

FIG. 7 is a front view of the present invention with its front cover closed; and,

FIG. 8 is a view of the right side of the present invention with its front cover closed, the left side being a mirror image.

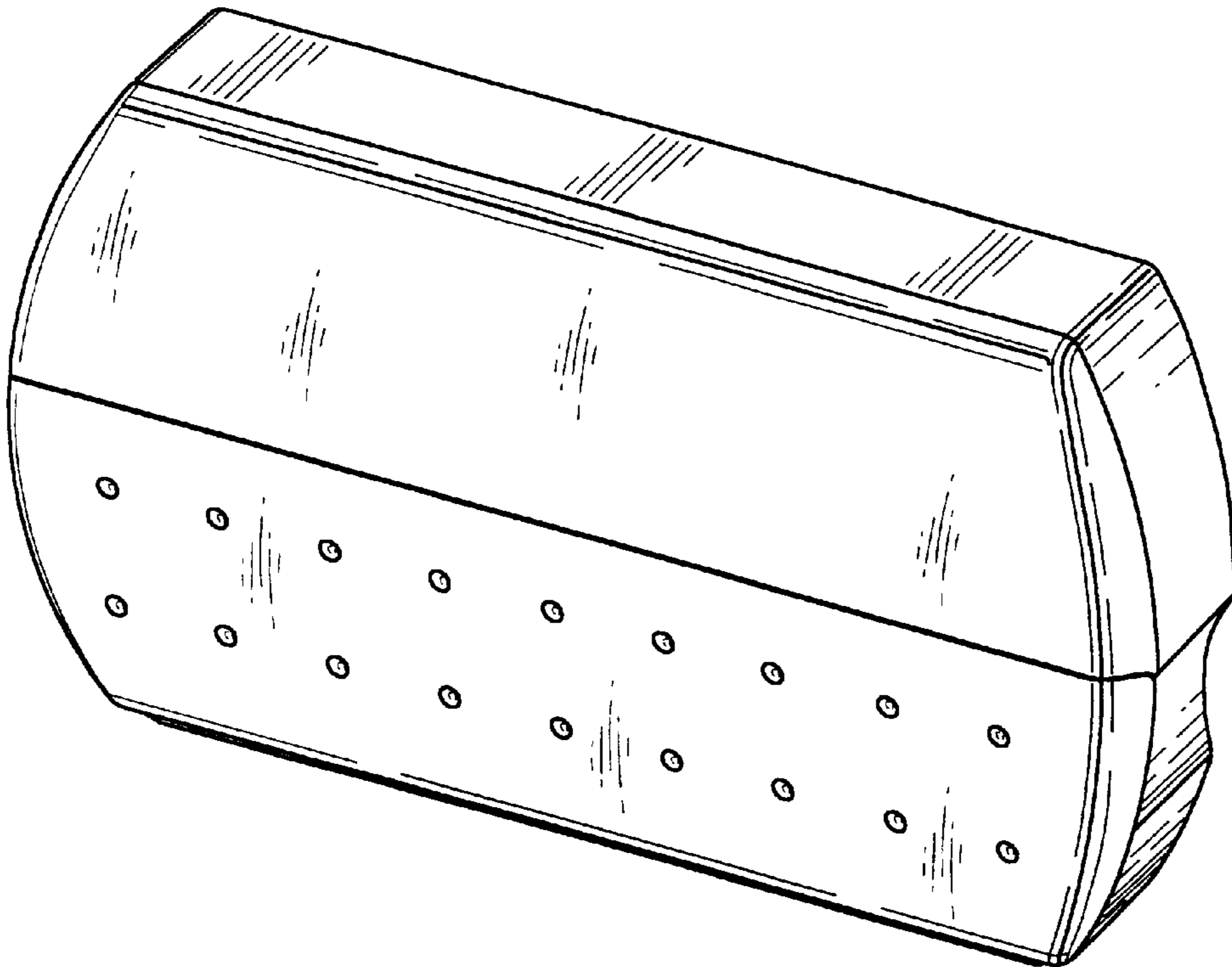
The broken lines in FIG. 1 are for illustrative purposes only and form no part of the claimed invention.

(56) **References Cited**

U.S. PATENT DOCUMENTS

4,403,449	A	*	9/1983	Richmond	49/340
4,429,264	A	*	1/1984	Richmond	318/466
D282,644	S	*	2/1986	Collister	D10/46
5,613,237	A	*	3/1997	Bent et al.	455/351
D393,644	S	*	4/1998	Cho et al.	D14/240
5,780,987	A	*	7/1998	Fitzgibbon et al.	318/466
D408,823	S	*	4/1999	Kirby	D14/240
D424,461	S	*	5/2000	Taylor	D10/104

1 Claim, 4 Drawing Sheets



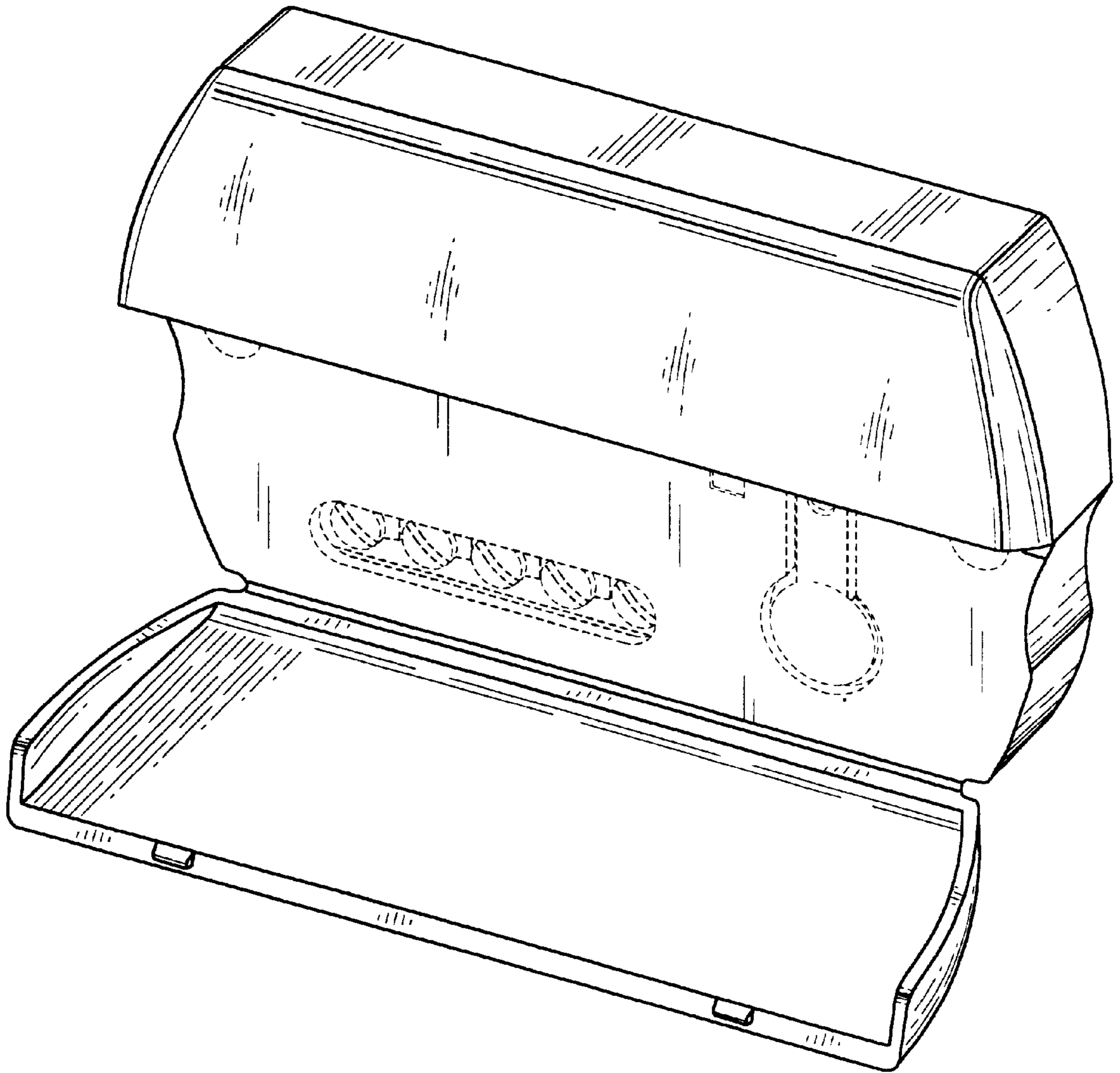


Fig. 1

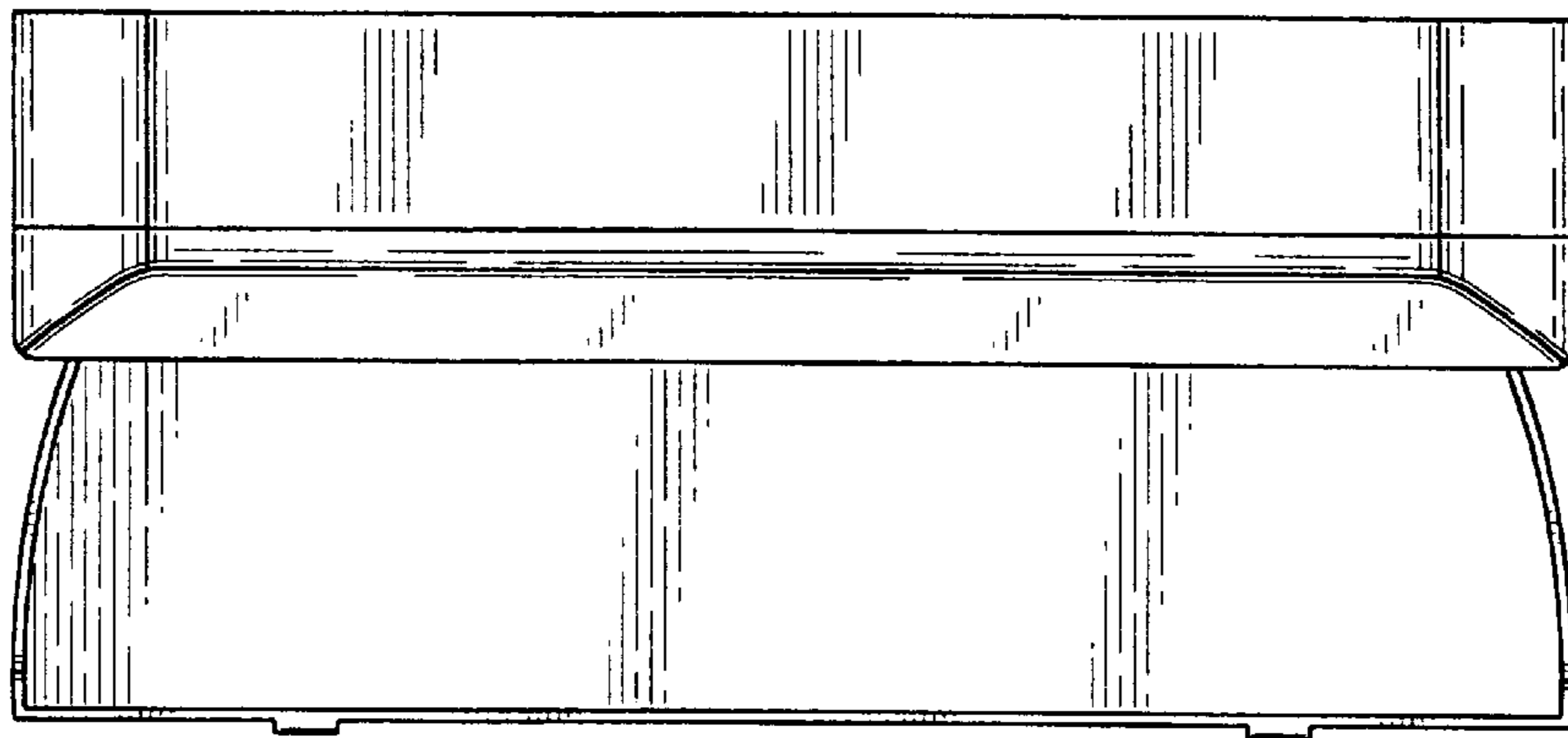


Fig. 2

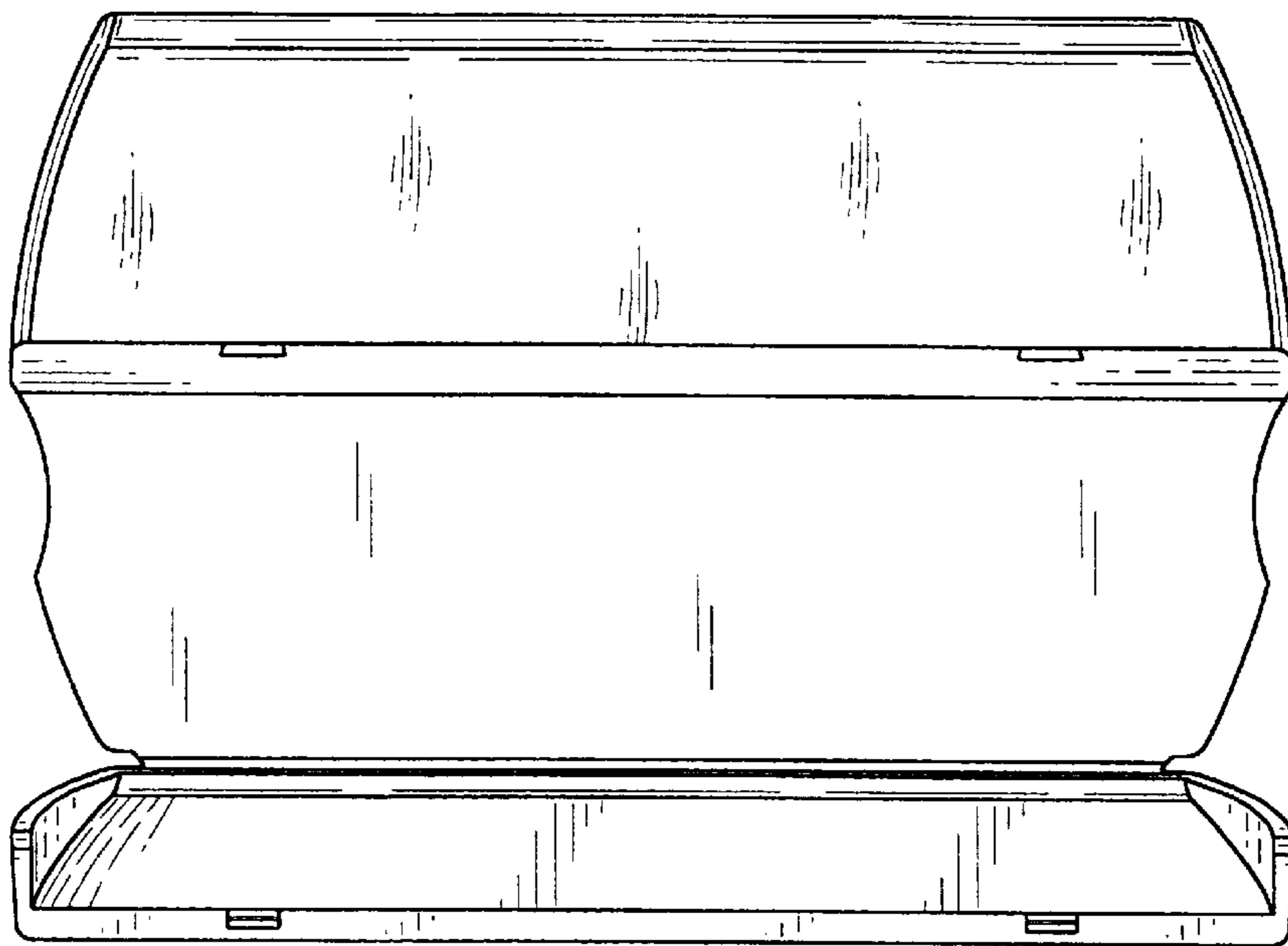


Fig. 3

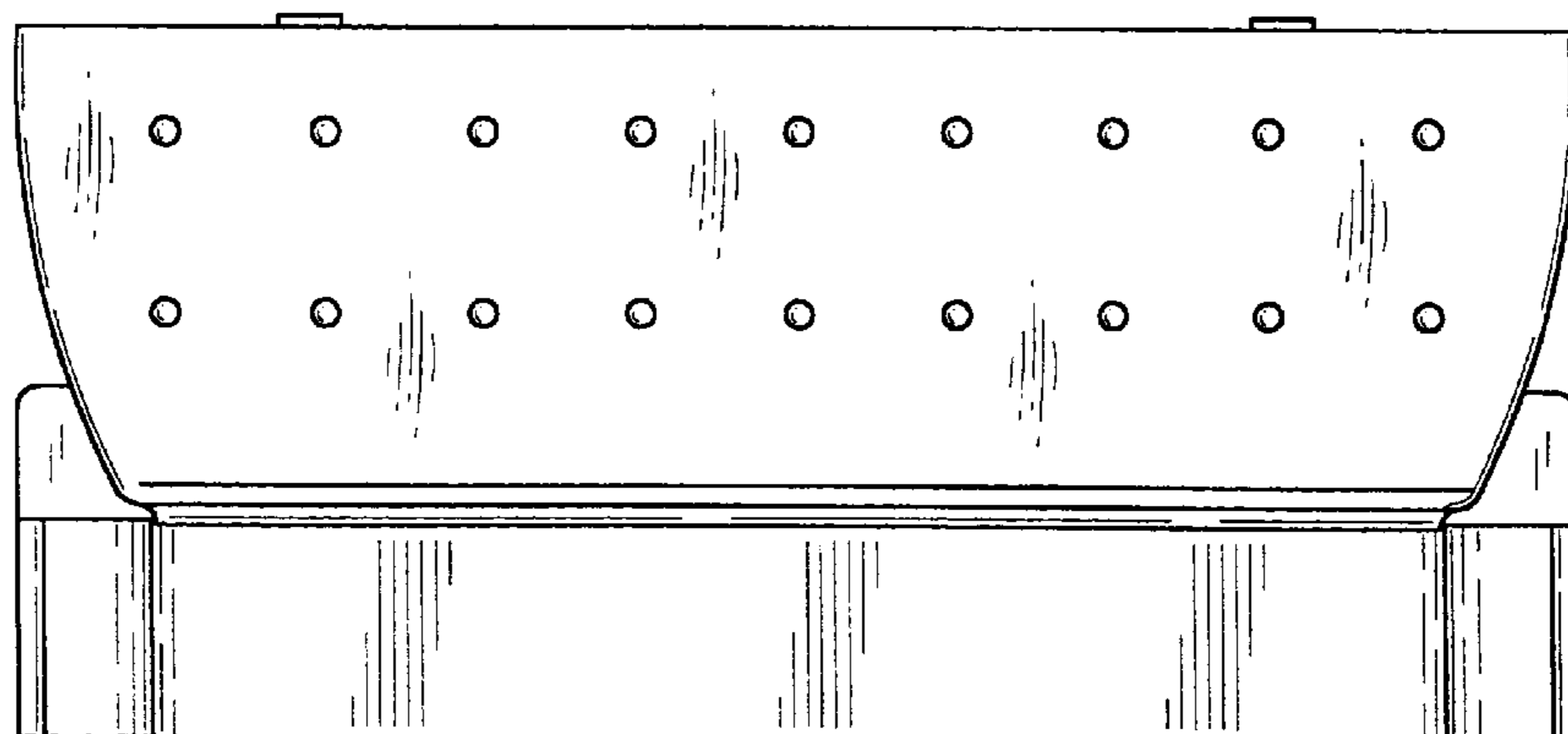


Fig. 4

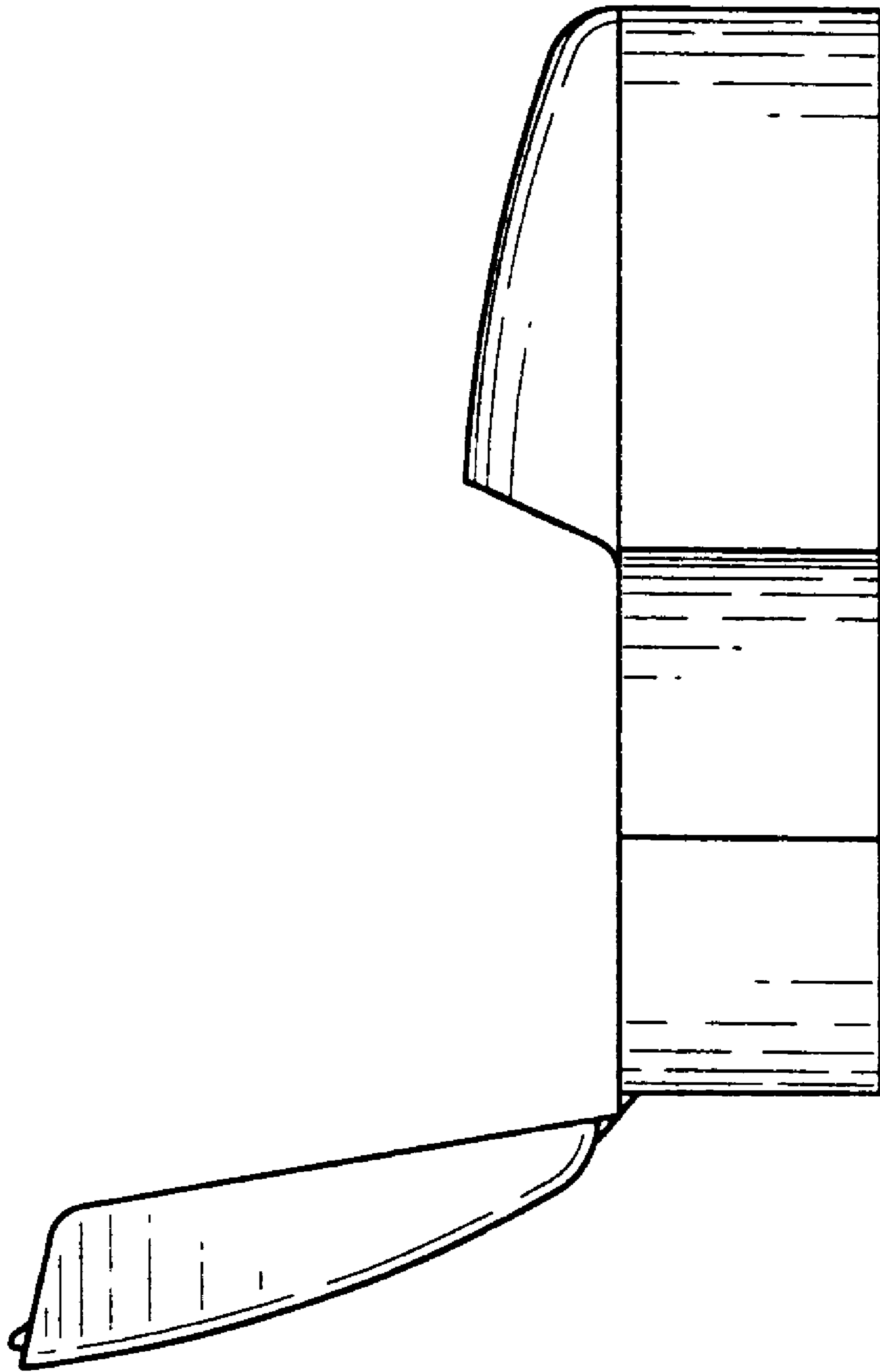


Fig. 5

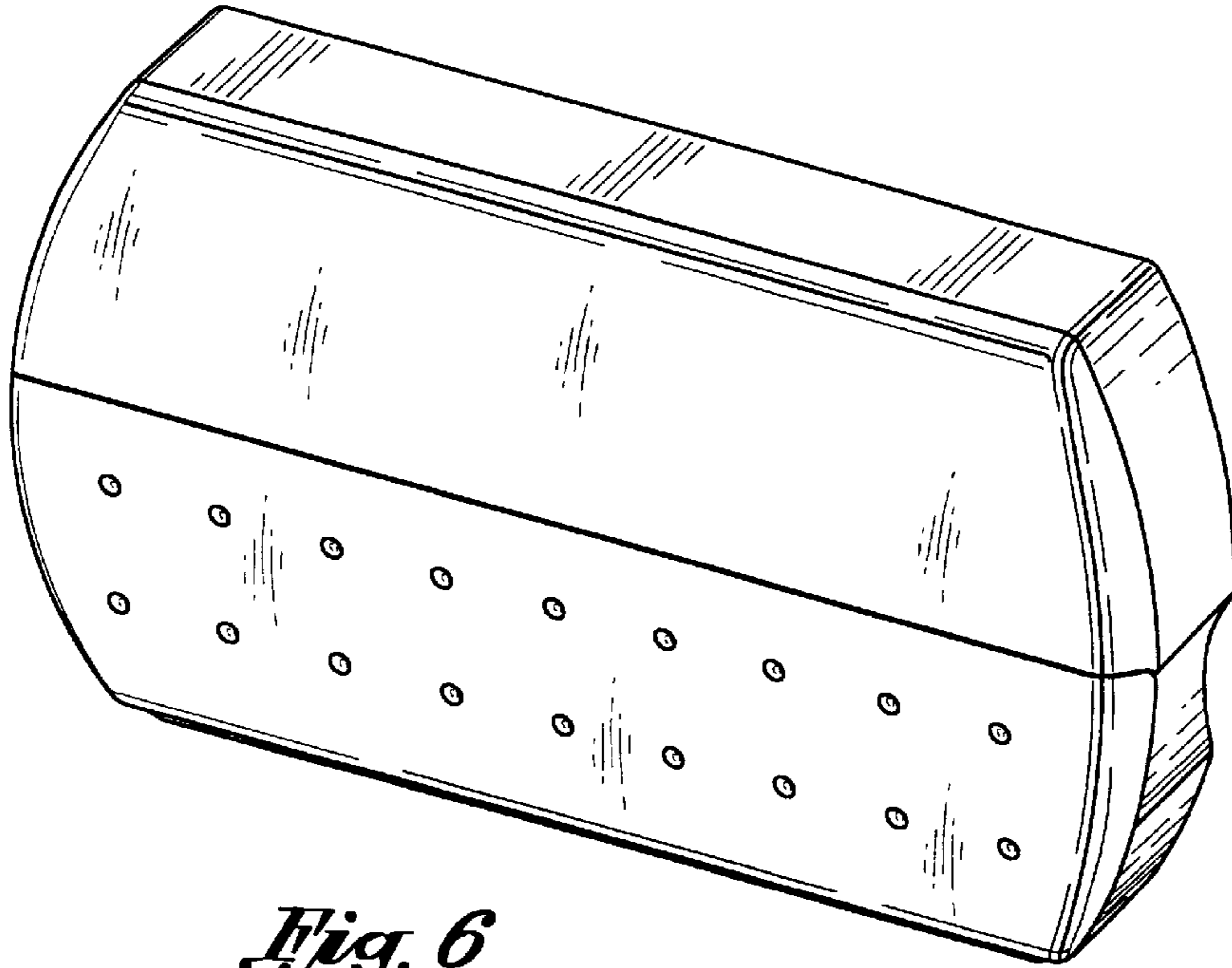


Fig. 6

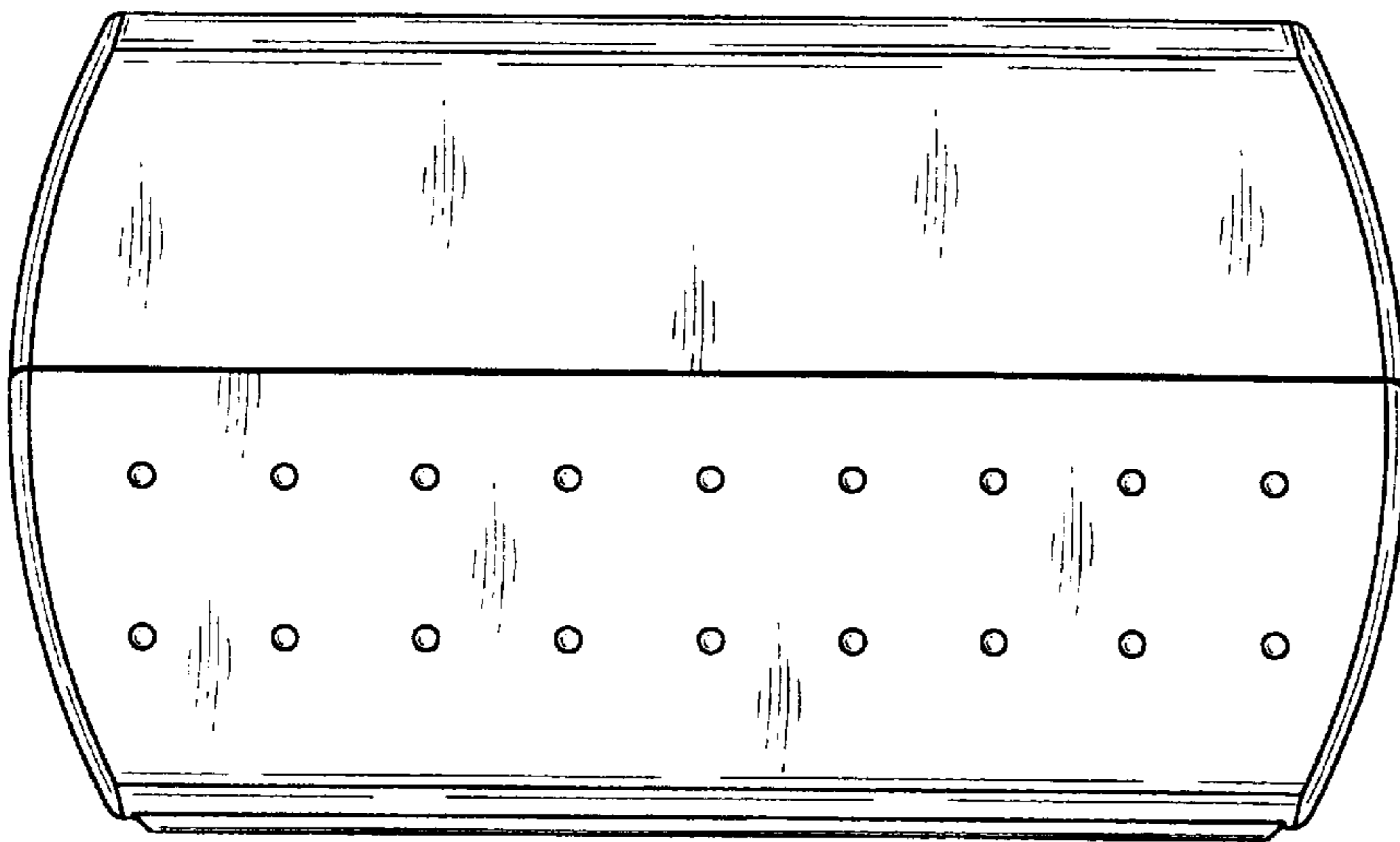


Fig. 7

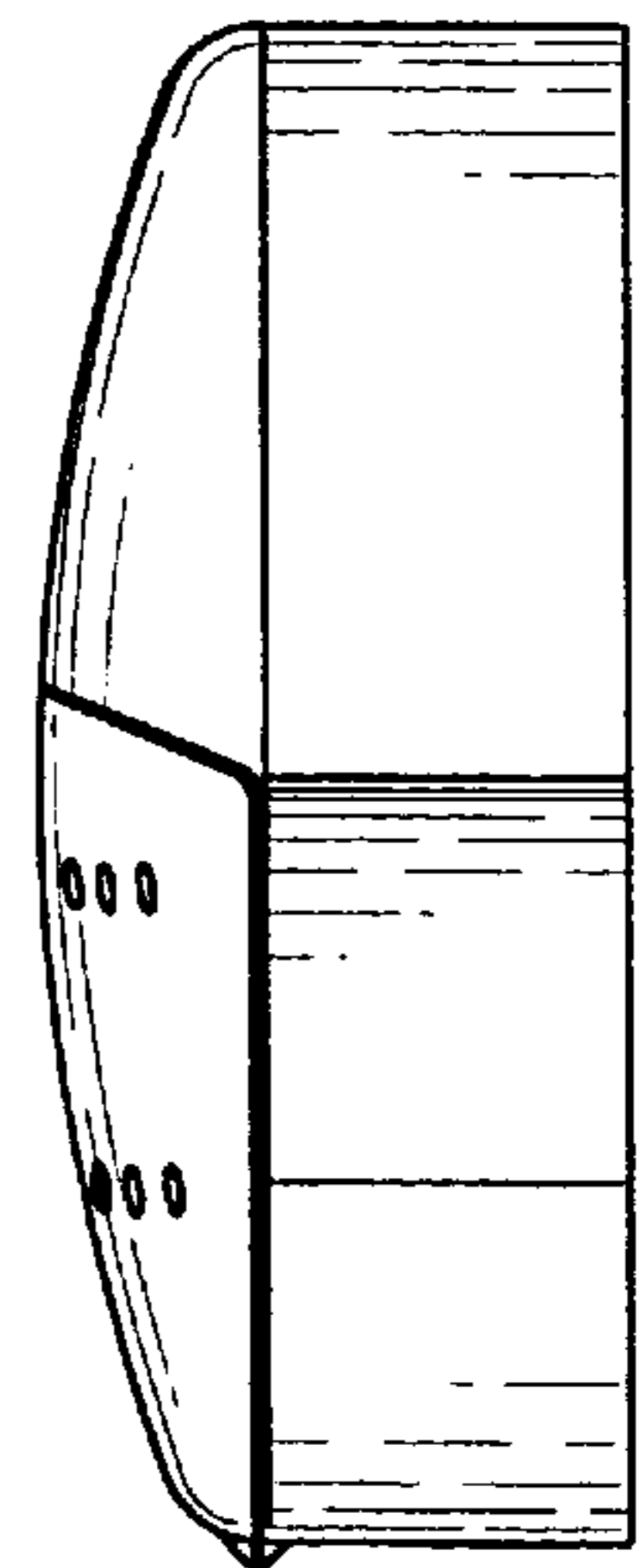


Fig. 8