



US00D464028S

(12) **United States Design Patent**
Clark

(10) **Patent No.:** **US D464,028 S**

(45) **Date of Patent:** **** Oct. 8, 2002**

(54) **FIBER HOLDER ADAPTER**

(75) Inventor: **Brett G. Clark**, Whites Creek, TN
(US)

(73) Assignee: **Amherst Holding Co.**, Wilmington, DE
(US)

(**) Term: **14 Years**

(21) Appl. No.: **29/138,636**

(22) Filed: **Mar. 19, 2001**

(51) **LOC (7) Cl.** **13-03**

(52) **U.S. Cl.** **D13/154**

(58) **Field of Search** D8/356; D13/133,
D13/146, 147, 154, 184, 199; 385/53, 54,
55, 81, 83, 86, 87, 92; 439/417, 655, 695,
701, 712, 724, 752

(56) **References Cited**

U.S. PATENT DOCUMENTS

D331,223 S * 11/1992 Hughes D13/147
D405,423 S * 2/1999 Nakamura D13/156
D430,116 S * 8/2000 Huang D13/184

D444,453 S * 7/2001 Stroede et al. D13/154

D449,818 S * 10/2001 Hiramoto et al. D13/133

6,325,549 B1 * 12/2001 Shevchuk 385/86

* cited by examiner

Primary Examiner—Robert M. Spear

(74) *Attorney, Agent, or Firm*—Banner & Witcoff, Ltd.

(57) **CLAIM**

The ornamental design for a fiber holder adapter, as shown and described.

DESCRIPTION

FIG. 1 is a perspective view of a fiber holder adapter showing my new design;

FIG. 2 is a front view thereof;

FIG. 3 is a rear view thereof;

FIG. 4 is a right side view thereof;

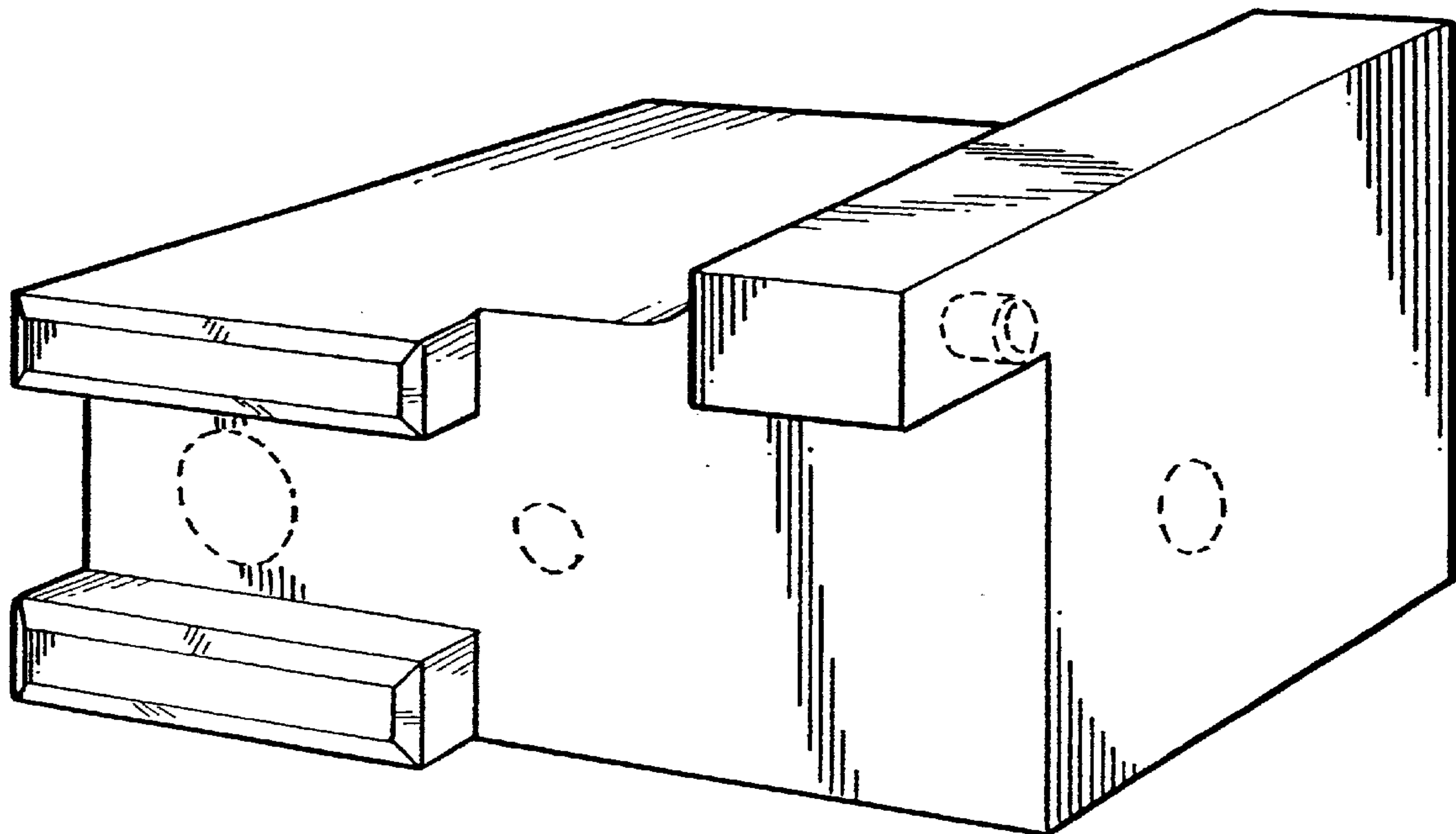
FIG. 5 is a left side view thereof;

FIG. 6 is a bottom plan view thereof; and,

FIG. 7 is a top plan view thereof.

The broken line showing of the various circular regions and the protruding pin is for illustrative purposes only and forms no part of the claimed design.

1 Claim, 4 Drawing Sheets



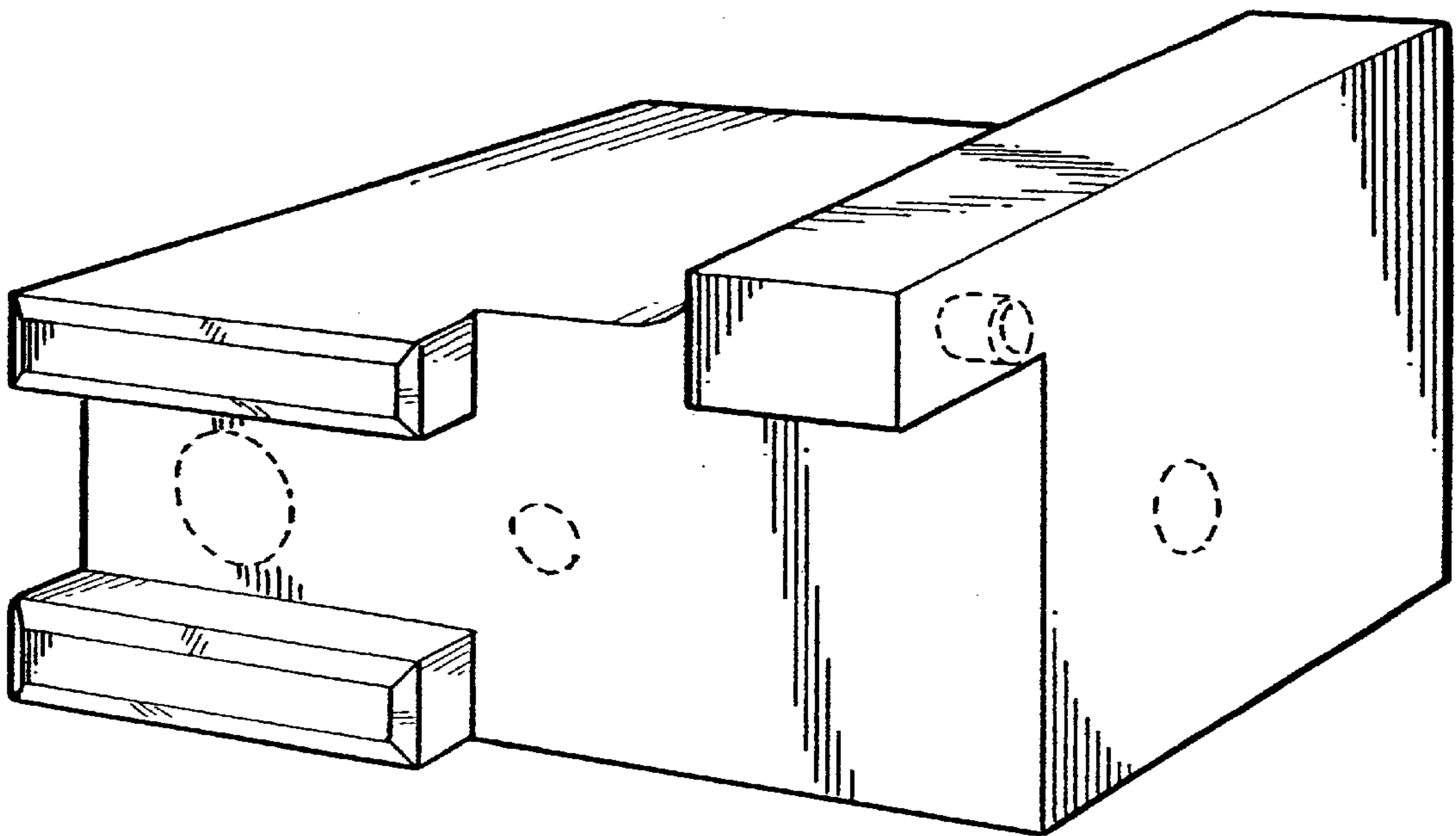


FIG. 1

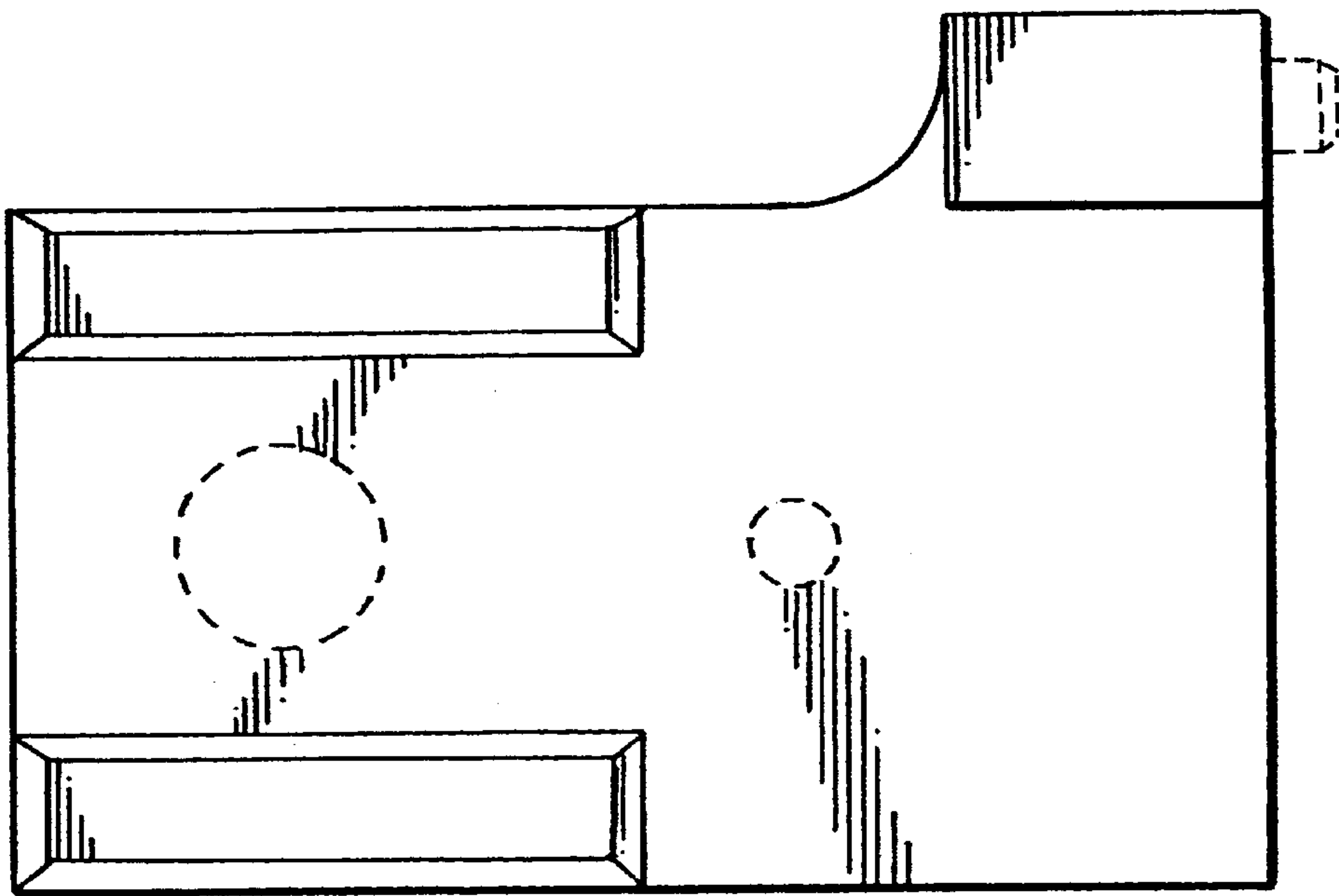


FIG. 2

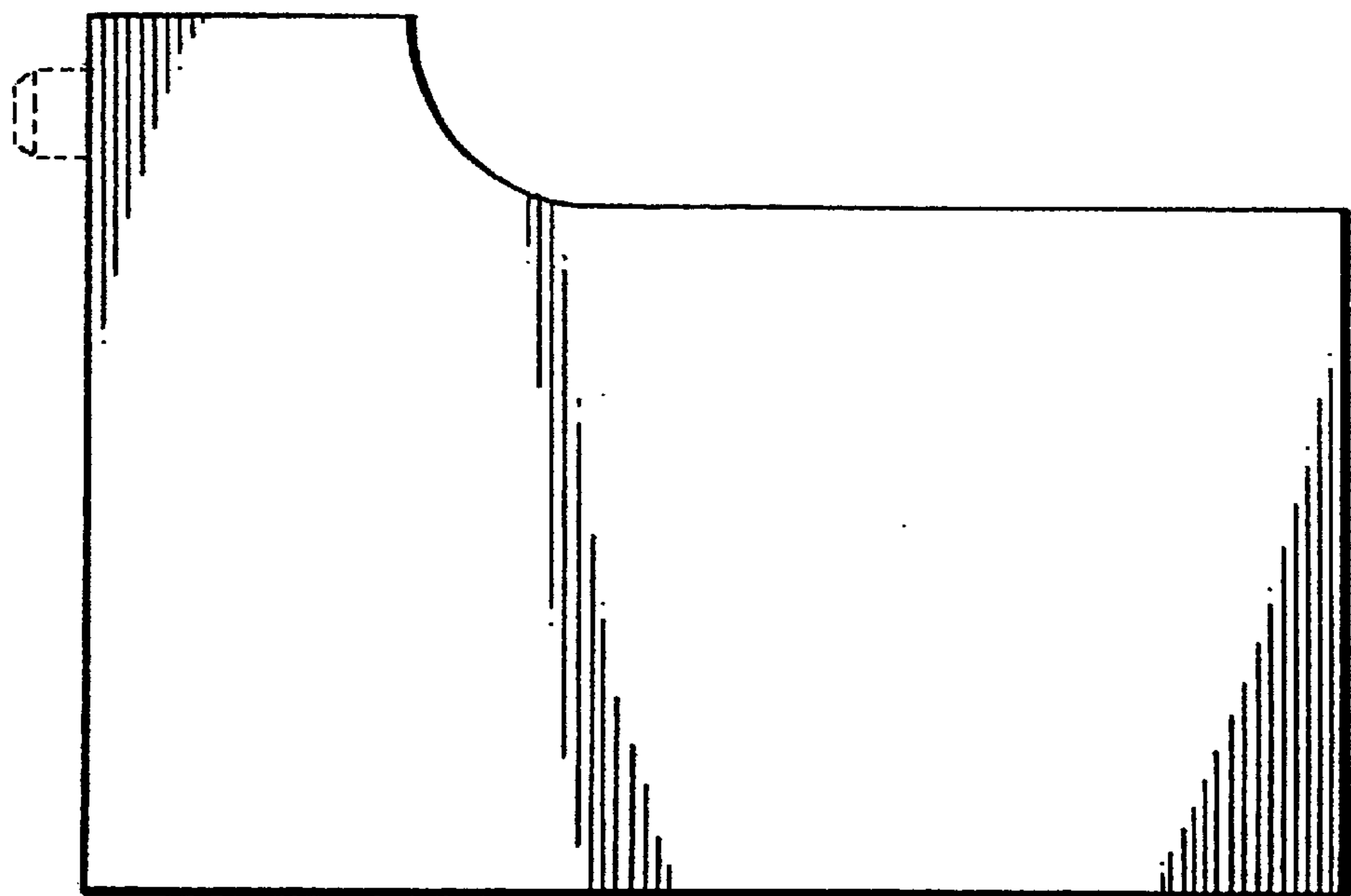


FIG. 3

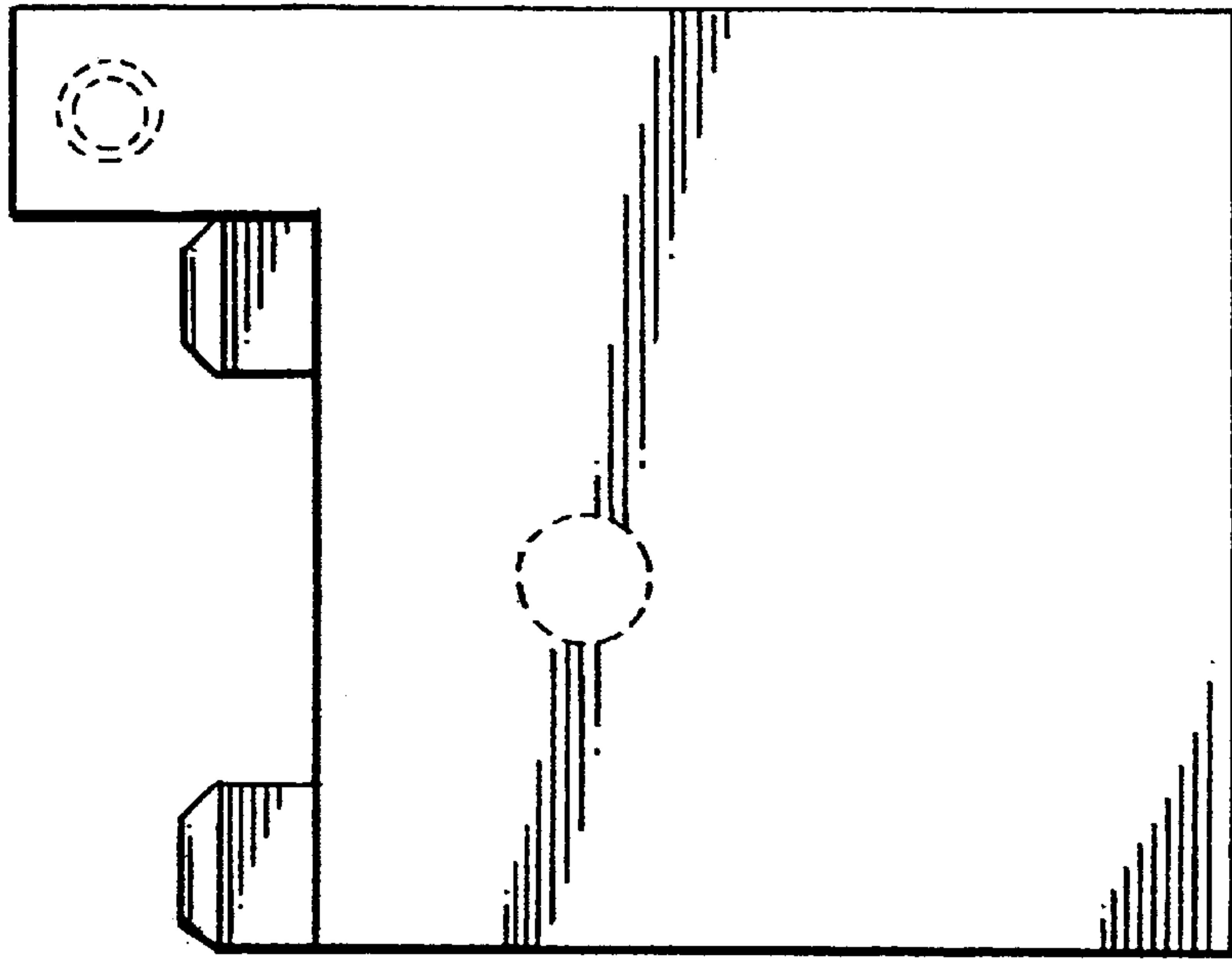


FIG. 4

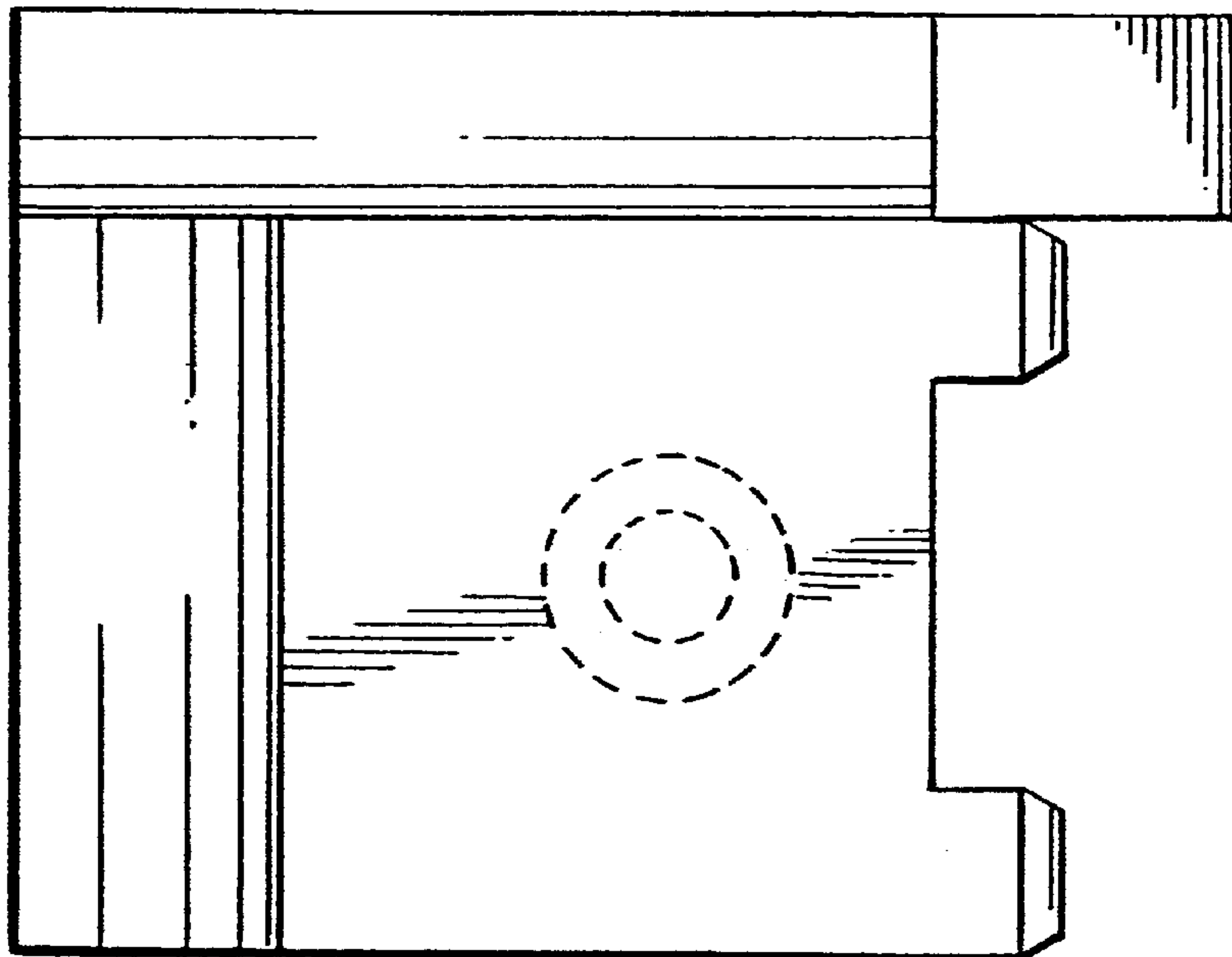


FIG. 5

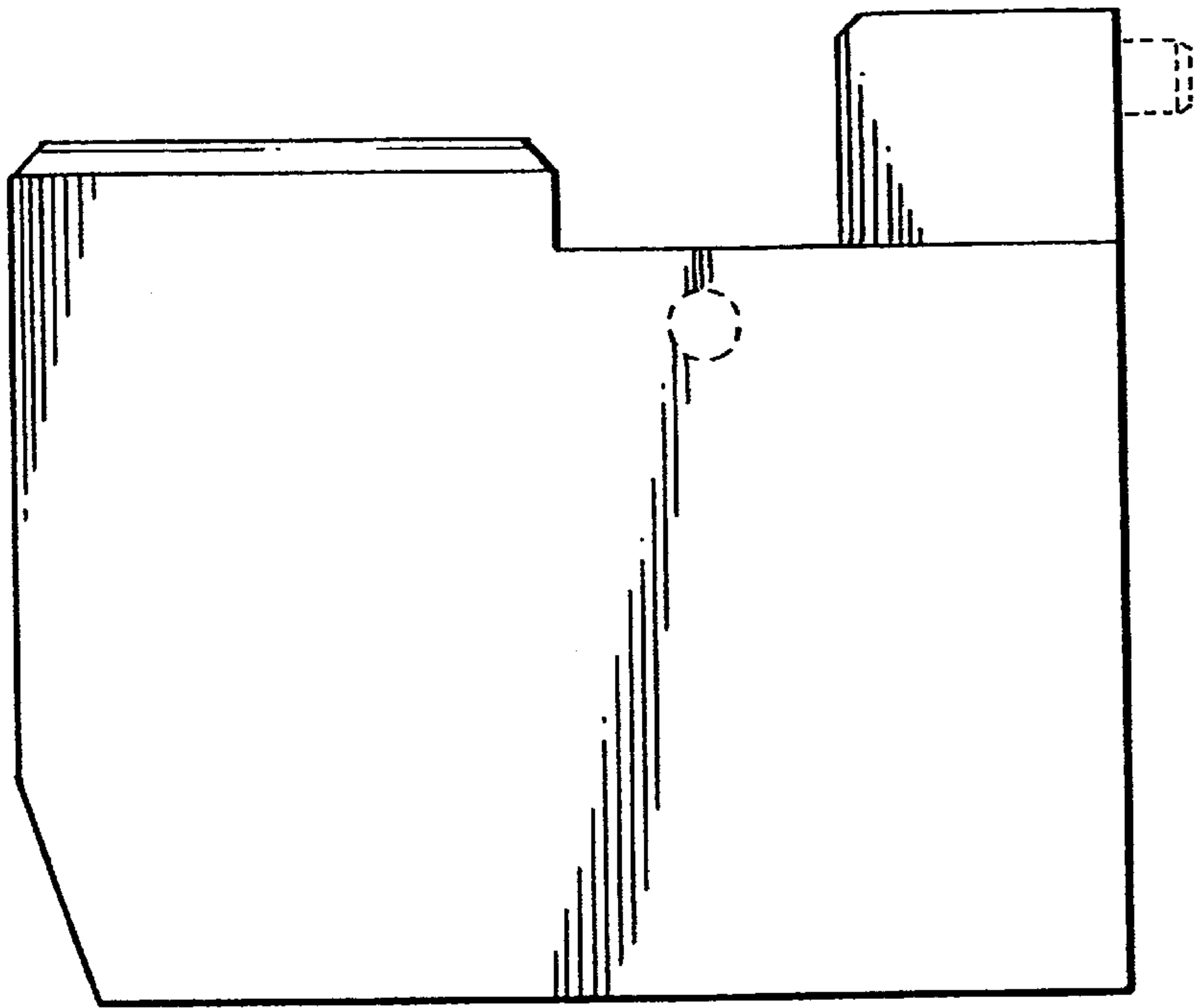


FIG. 6

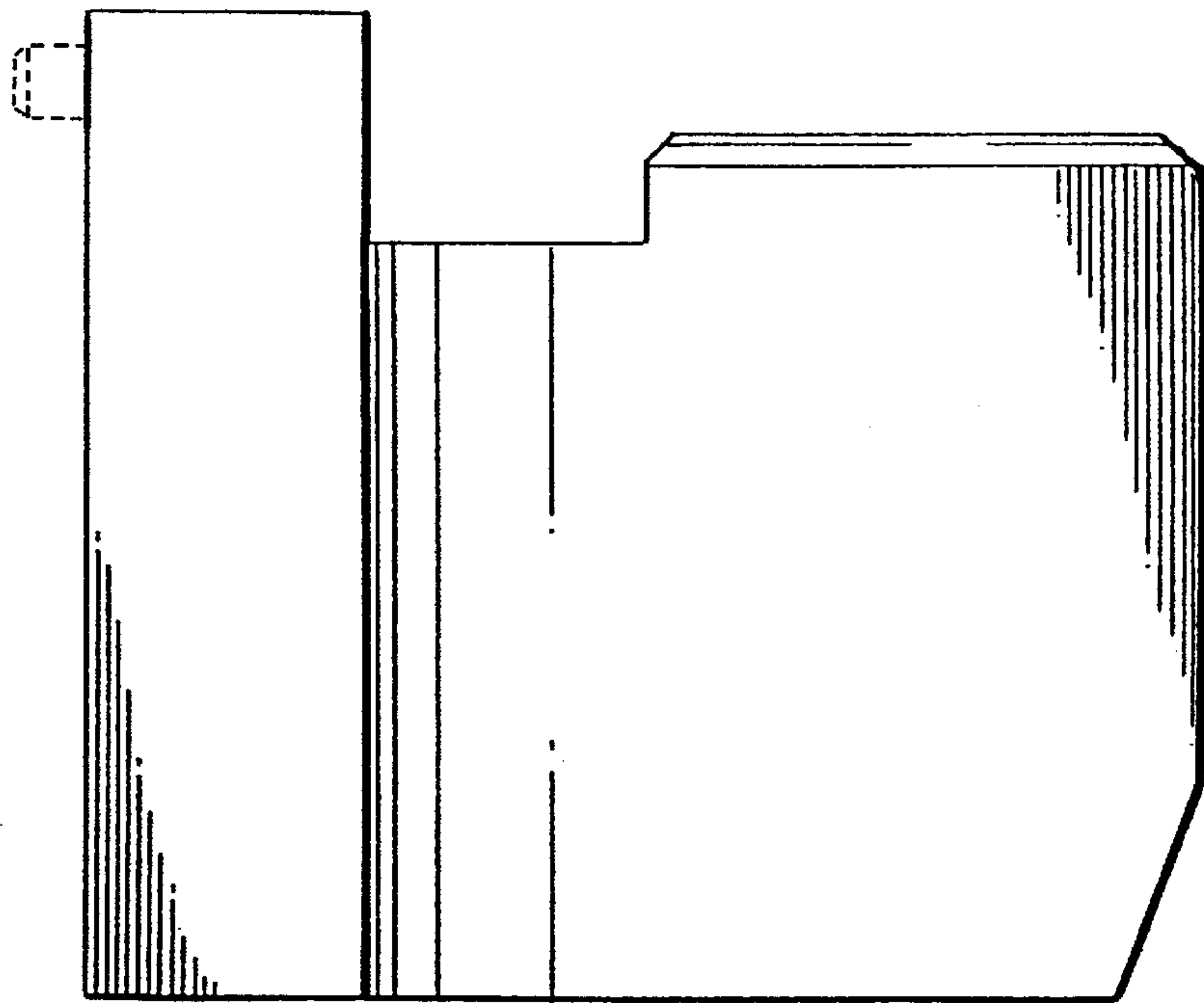


FIG. 7