



US00D464027S

(12) **United States Design Patent**  
**Weng**

(10) **Patent No.:** **US D464,027 S**

(45) **Date of Patent:** **\*\* Oct. 8, 2002**

(54) **1U HORIZONTAL REDUNDANT POWER SUPPLY**

D452,677 S \* 1/2002 Weng ..... D13/110

\* cited by examiner

(75) Inventor: **Hsien-Tang Weng**, Taipei (TW)

*Primary Examiner*—Lisa Lichtenstein

(73) Assignee: **Shin Jih Corp.**, Taipei Hsien (TW)

(74) *Attorney, Agent, or Firm*—Bacon & Thomas, PLLC

(\*\*) Term: **14 Years**

(57) **CLAIM**

(21) Appl. No.: **29/143,754**

The ornamental design for a “1U horizontal redundant power supply”, as shown and described.

(22) Filed: **Jun. 20, 2001**

**DESCRIPTION**

(51) **LOC (7) Cl.** ..... **13-02**

FIG. 1 is a perspective view of “1 U horizontal redundant power supply” showing our new design thereof;

(52) **U.S. Cl.** ..... **D13/110**

FIG. 2 is a right side elevational view;

(58) **Field of Search** ..... D13/110; 307/150;  
361/679, 683, 724, 725, 782

FIG. 3 is a top plan view thereof;

FIG. 4 is a front side elevational view;

FIG. 5 is a bottom plan view thereof;

FIG. 6 is left side elevational view;

FIG. 7 is a rear side elevational view; and,

FIG. 8 is a perspective view thereof shown in using position.

(56) **References Cited**

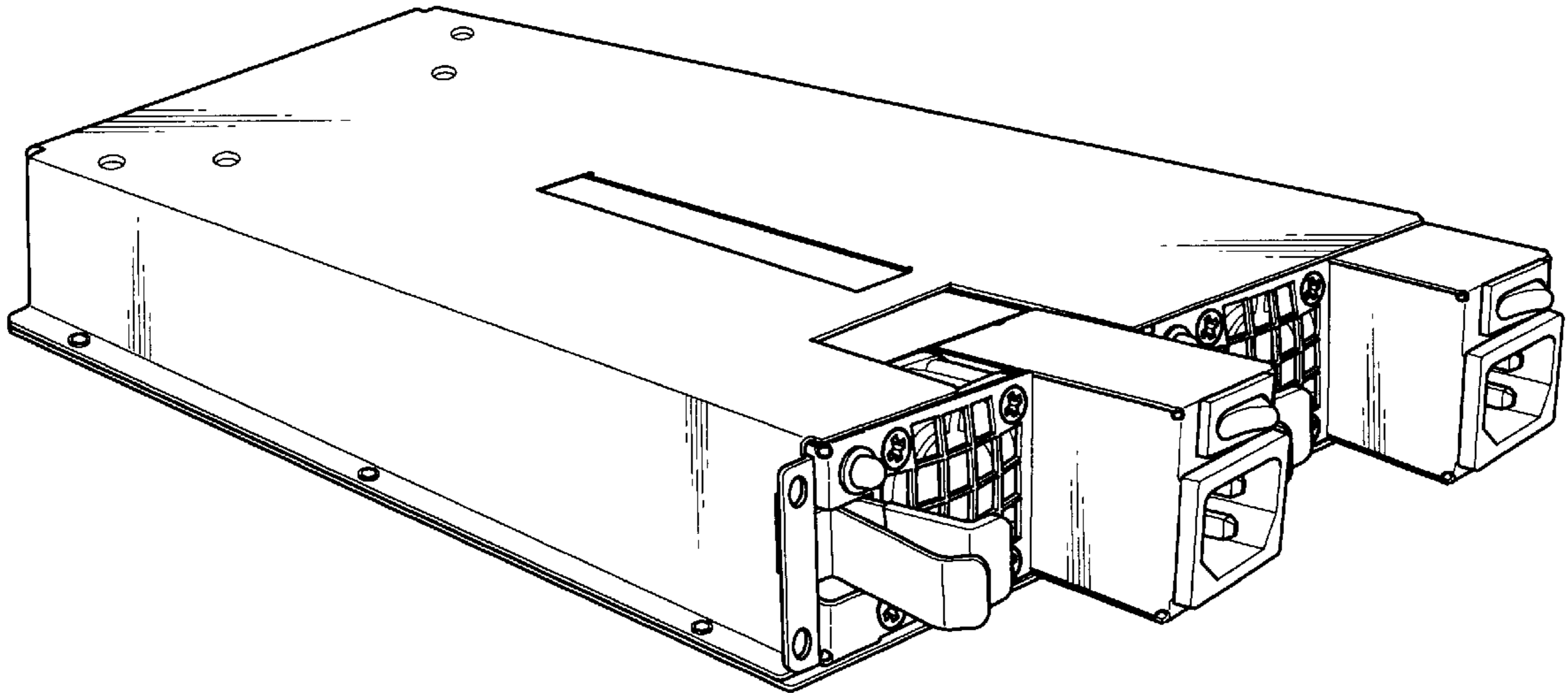
**U.S. PATENT DOCUMENTS**

D421,245 S \* 2/2000 Weng ..... D13/110

6,198,642 B1 \* 3/2001 Kociecki ..... 307/150

D445,761 S \* 7/2001 Weng ..... D13/110

**1 Claim, 7 Drawing Sheets**



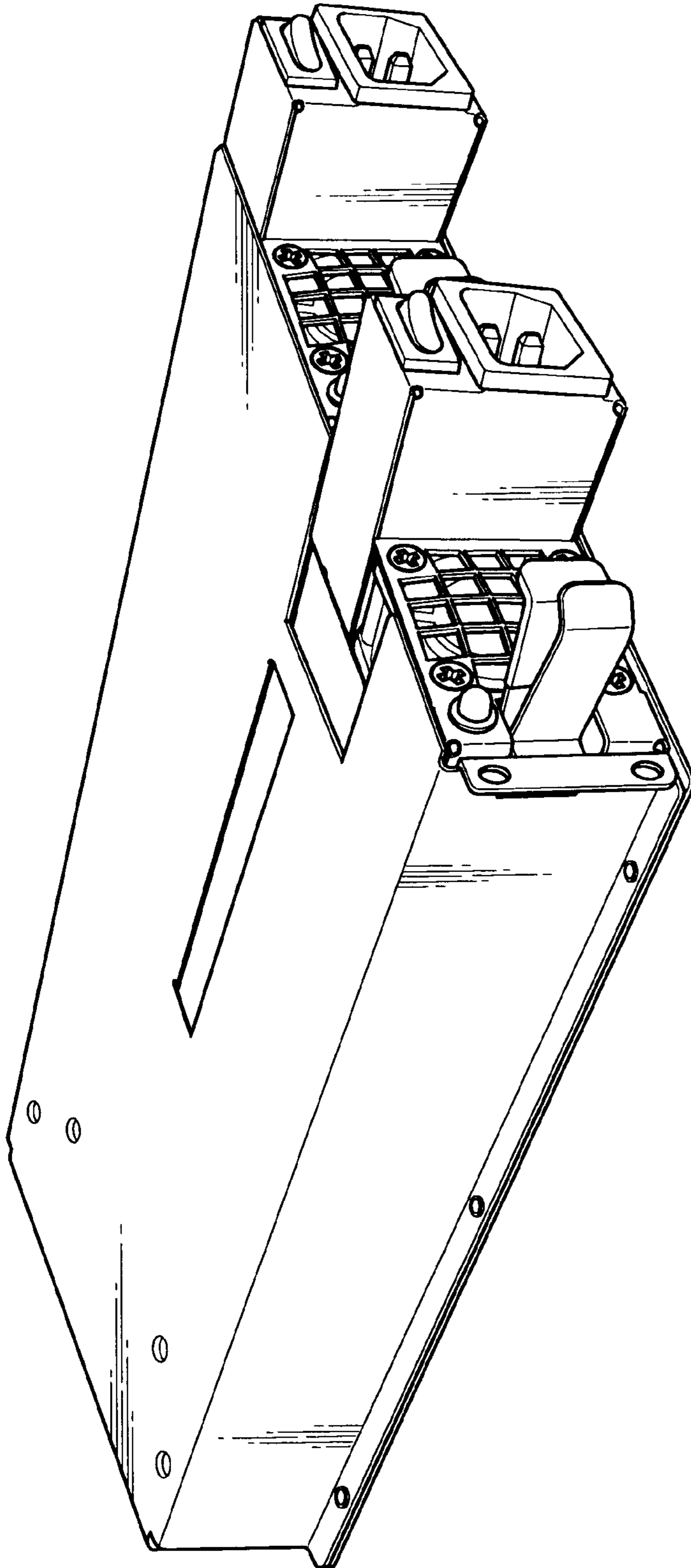


Fig. 1

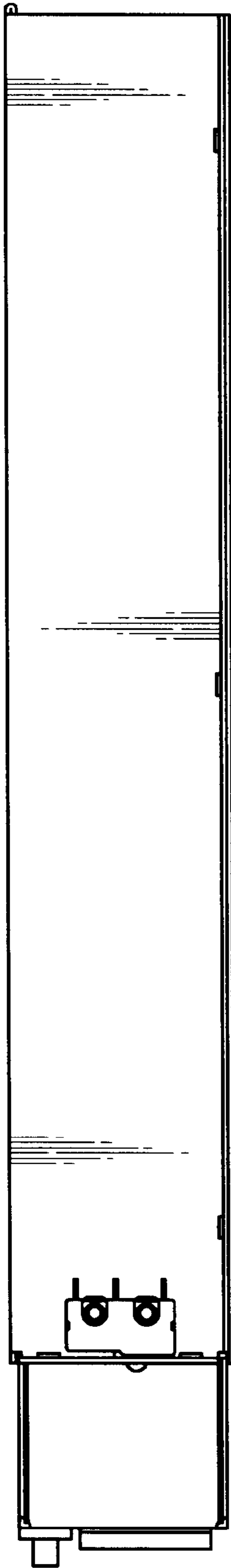


Fig. 2

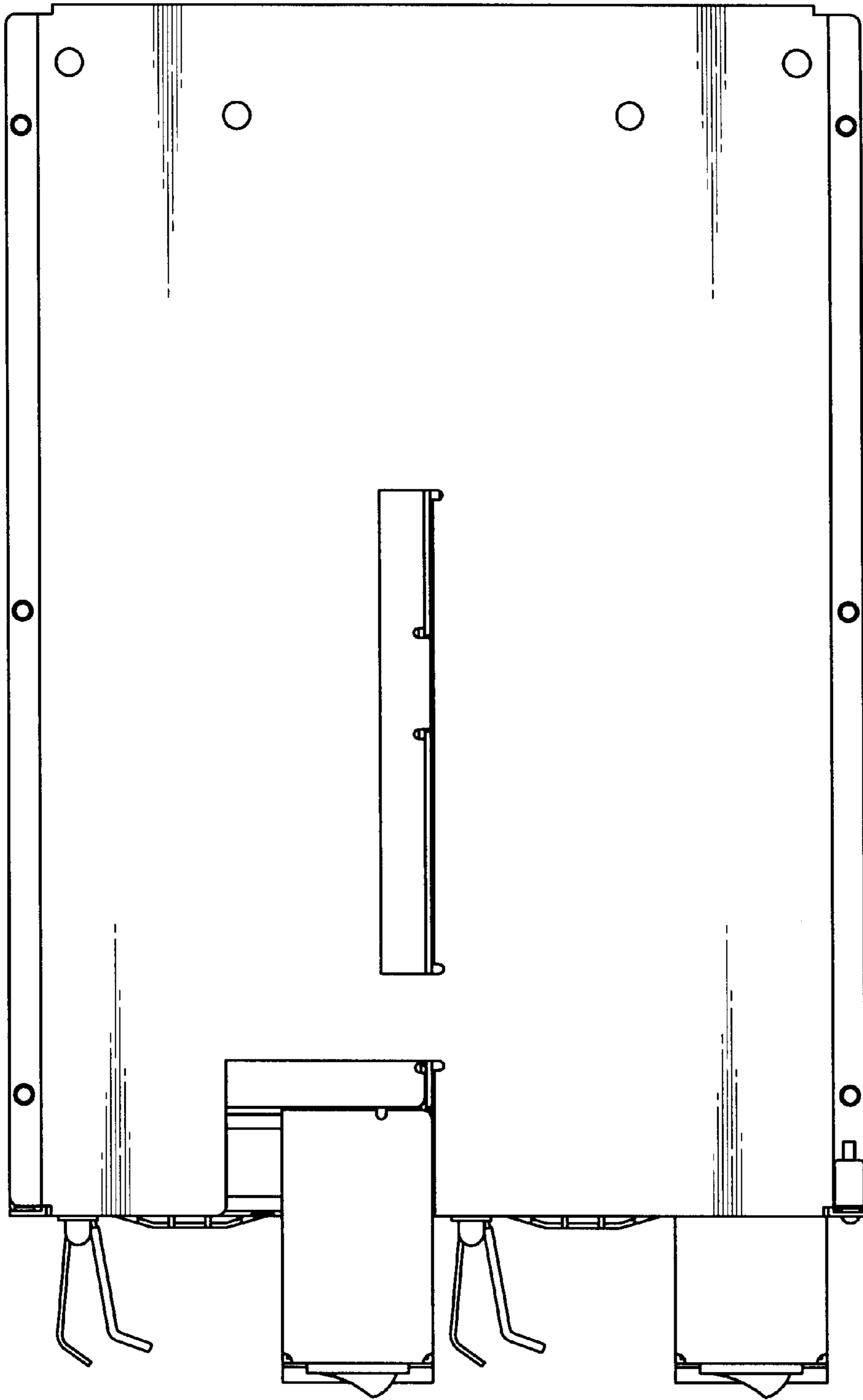


Fig. 3

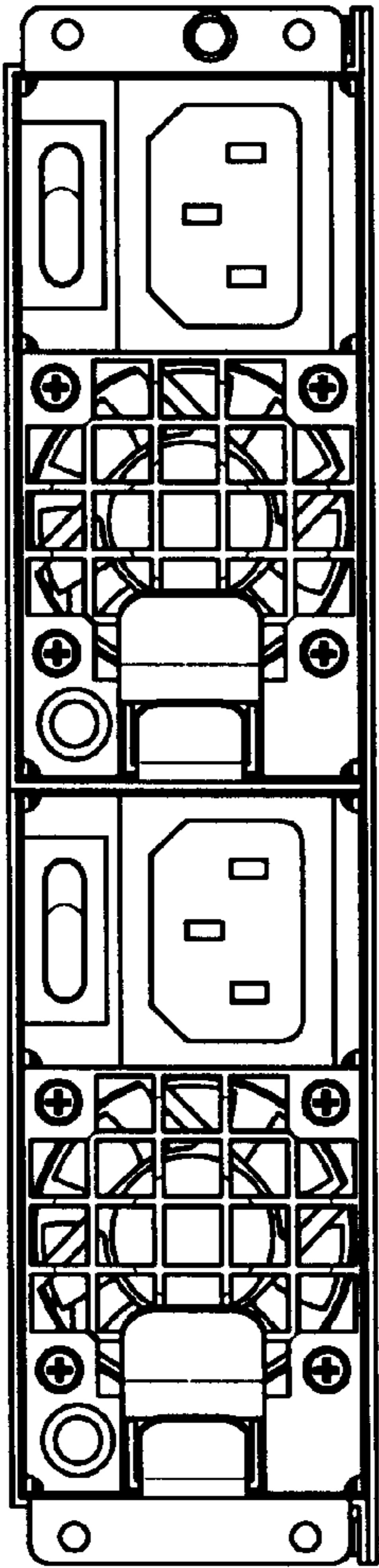


Fig. 4

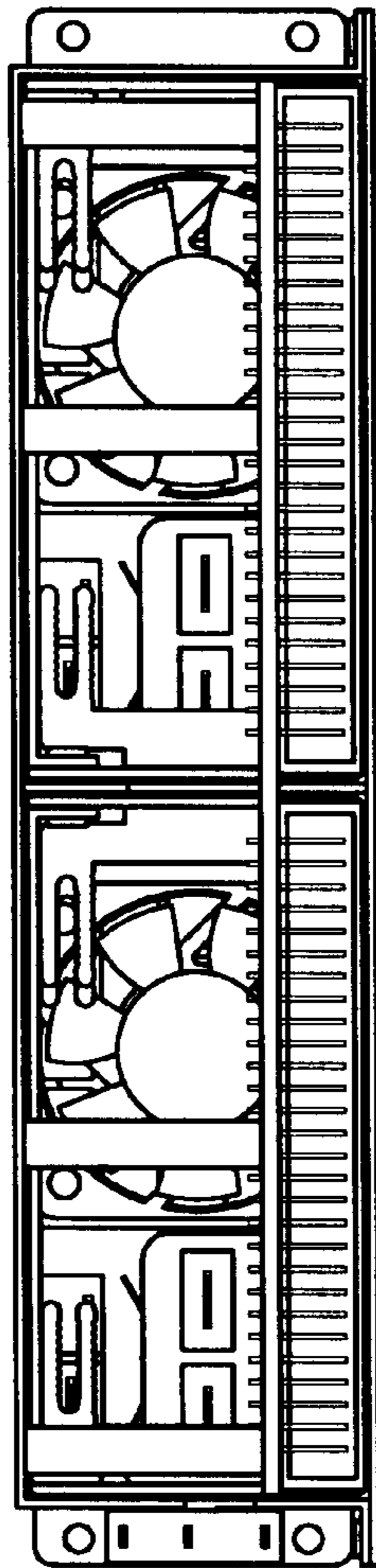


Fig. 7

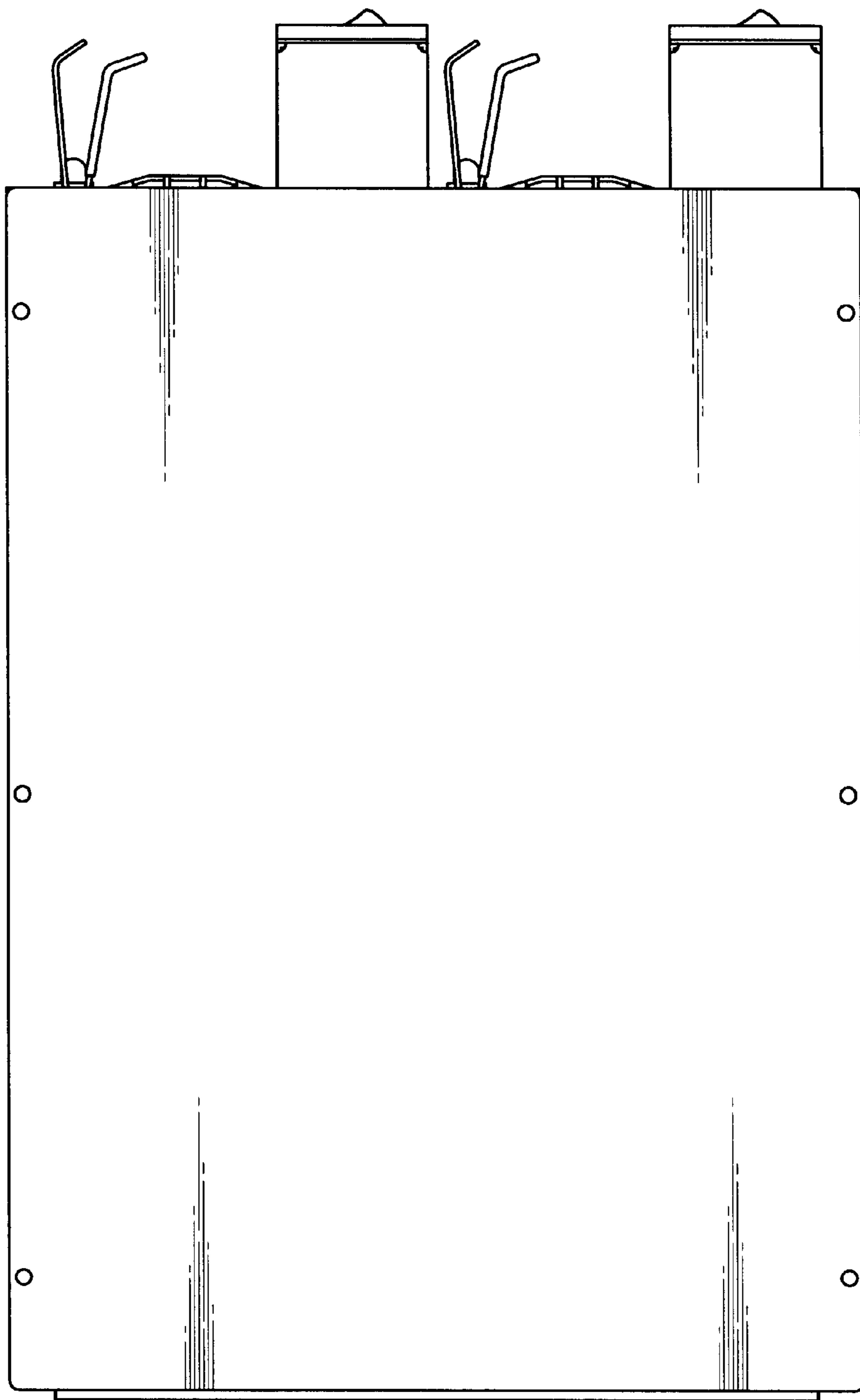


Fig. 5

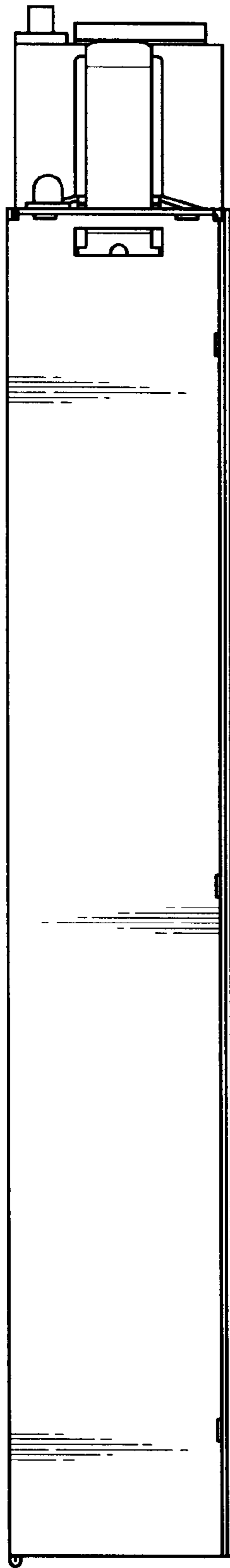


Fig. 6

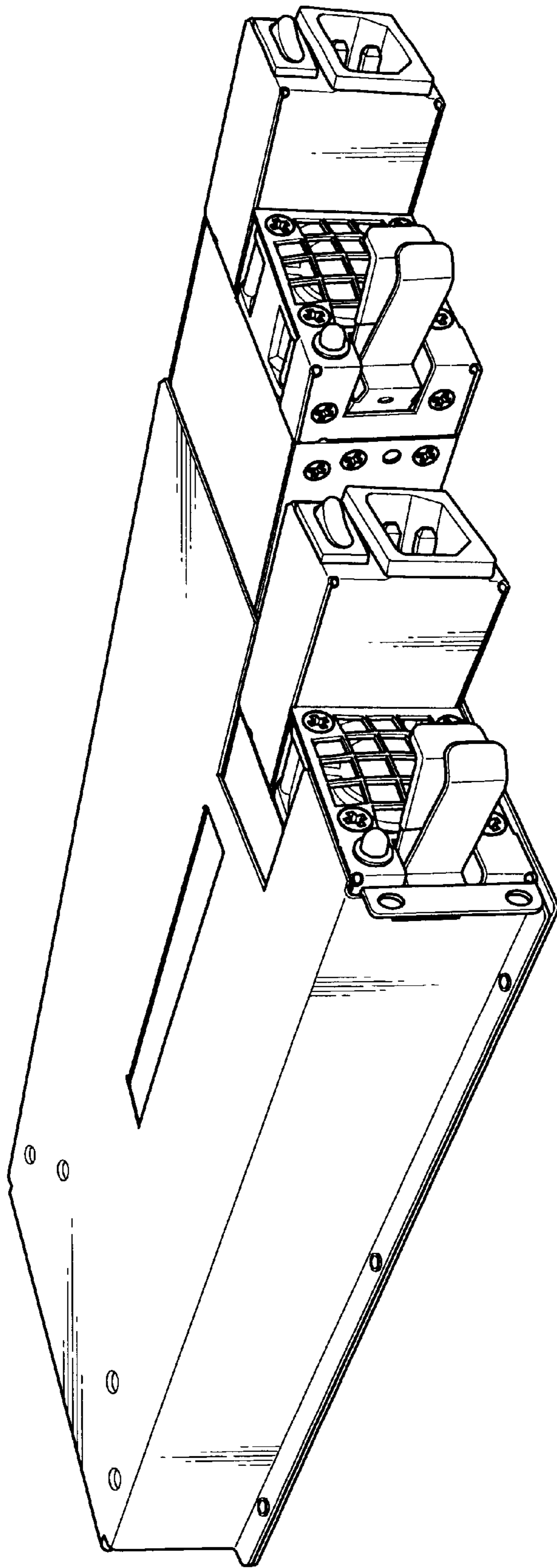


Fig. 8