



US00D464018S

(12) **United States Design Patent**  
**Anderson**

(10) **Patent No.:** **US D464,018 S**

(45) **Date of Patent:** **\*\* Oct. 8, 2002**

(54) **LIGHT EXTENDER**

(76) **Inventor:** **Thomas N. Anderson**, 309 Cool Water Ct., Leesville, SC (US) 29070

(\*\*) **Term:** **14 Years**

(21) **Appl. No.:** **29/144,949**

(22) **Filed:** **Jul. 16, 2001**

(51) **LOC (7) Cl.** ..... **12-12**

(52) **U.S. Cl.** ..... **D12/317; D26/68**

(58) **Field of Search** ..... **D26/67-71, 93, D26/102-112; 362/153, 153.1, 410-414, 431**

(56) **References Cited**

**U.S. PATENT DOCUMENTS**

807,857 A	12/1905	Palmenberg
3,285,554 A	11/1966	Voelkerding
3,725,696 A	4/1973	Morton
4,363,349 A	12/1982	Childs
4,666,111 A	5/1987	Schuler
5,374,074 A	12/1994	Smith
5,386,358 A	1/1995	Hillinger

D415,729 S	*	10/1999	Wells	.....	D12/317
D454,970 S	*	3/2002	Straus et al.	.....	D26/68
D456,925 S	*	5/2002	Straus et al.	.....	D26/68

\* cited by examiner

*Primary Examiner*—Marcus A. Jackson

(74) *Attorney, Agent, or Firm*—Donald R. Schoonover

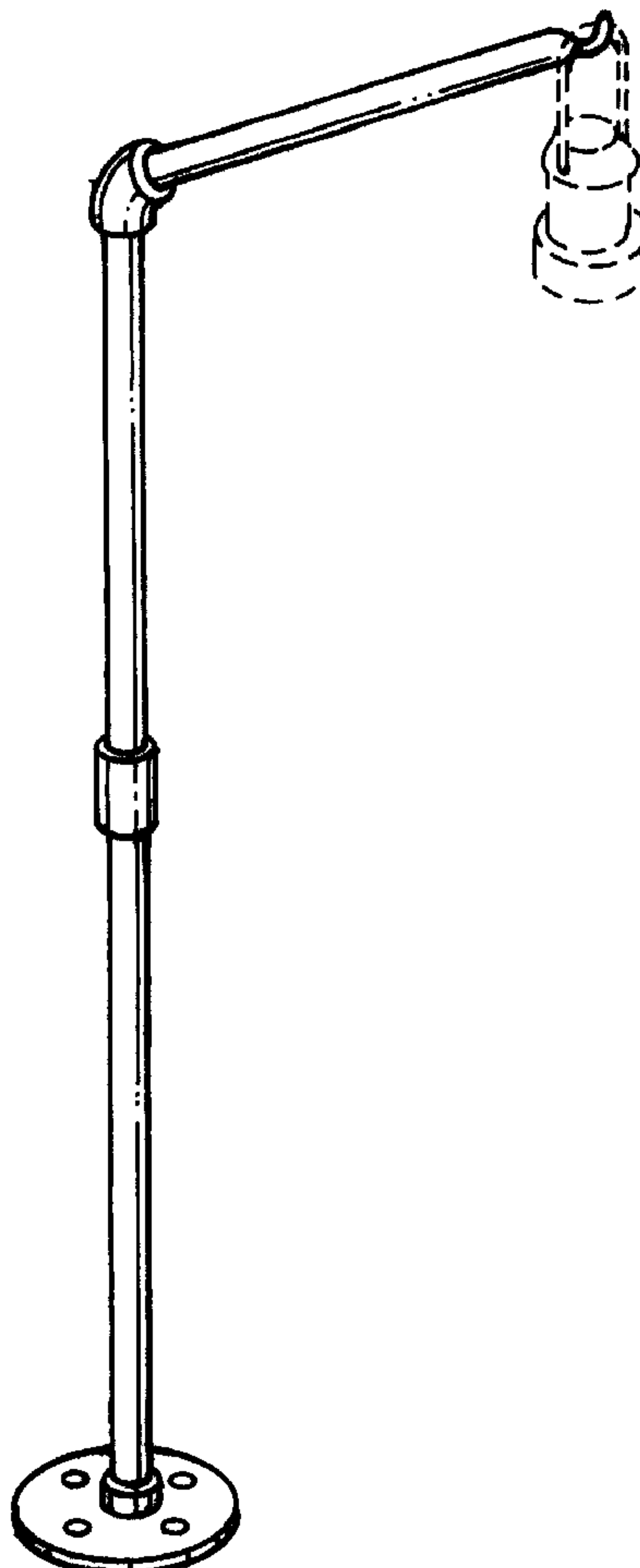
(57) **CLAIM**

The ornamental design for a light extender, as shown and described.

**DESCRIPTION**

FIG. 1 is a perspective view of the light extender embodying the design of the present invention.  
 FIG. 2 is a front elevational view thereof;  
 FIG. 3 is a rear elevational view thereof;  
 FIG. 4 is a side elevational view thereof;  
 FIG. 5 is a top plan view thereof;  
 FIG. 6 is a bottom plan view thereof; and,  
 FIG. 7 is a perspective view of the light extender in use.  
 The broken line showing of environment is for illustrative purposes only and forms no part of the claimed design.

**1 Claim, 4 Drawing Sheets**



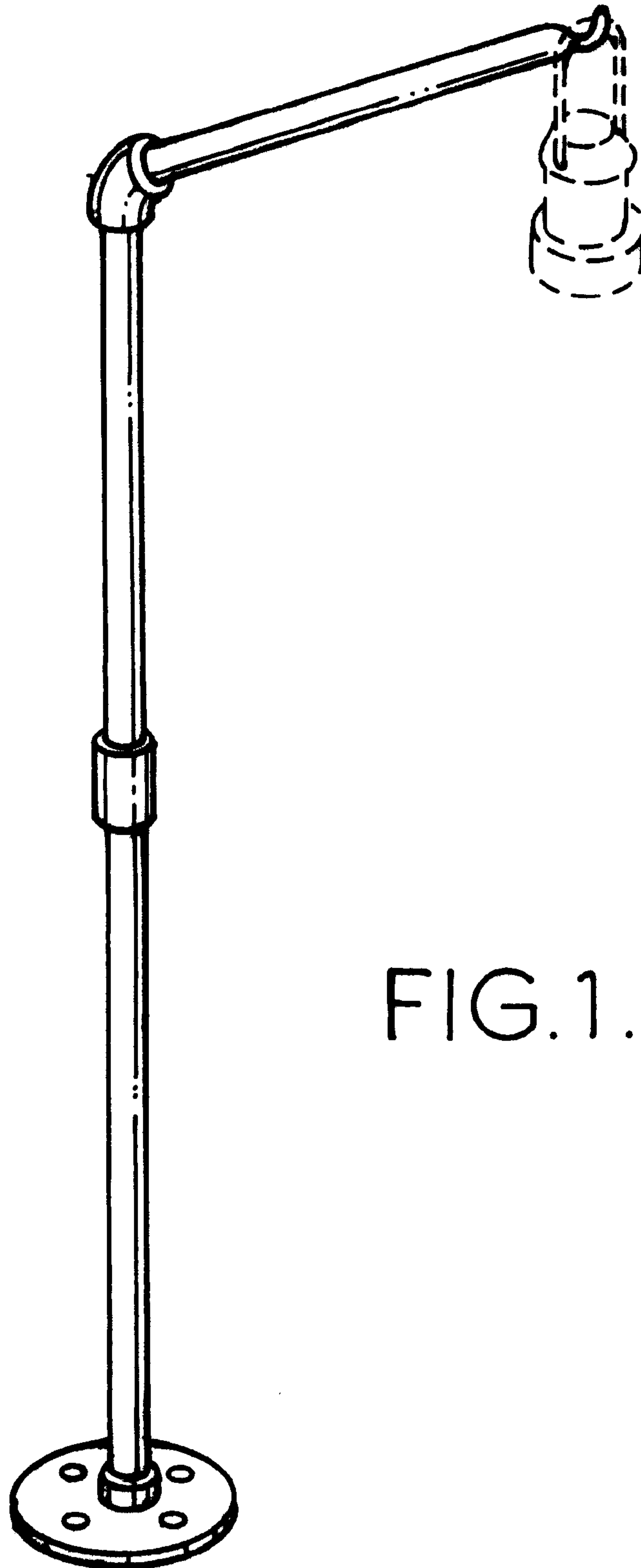


FIG. 1.

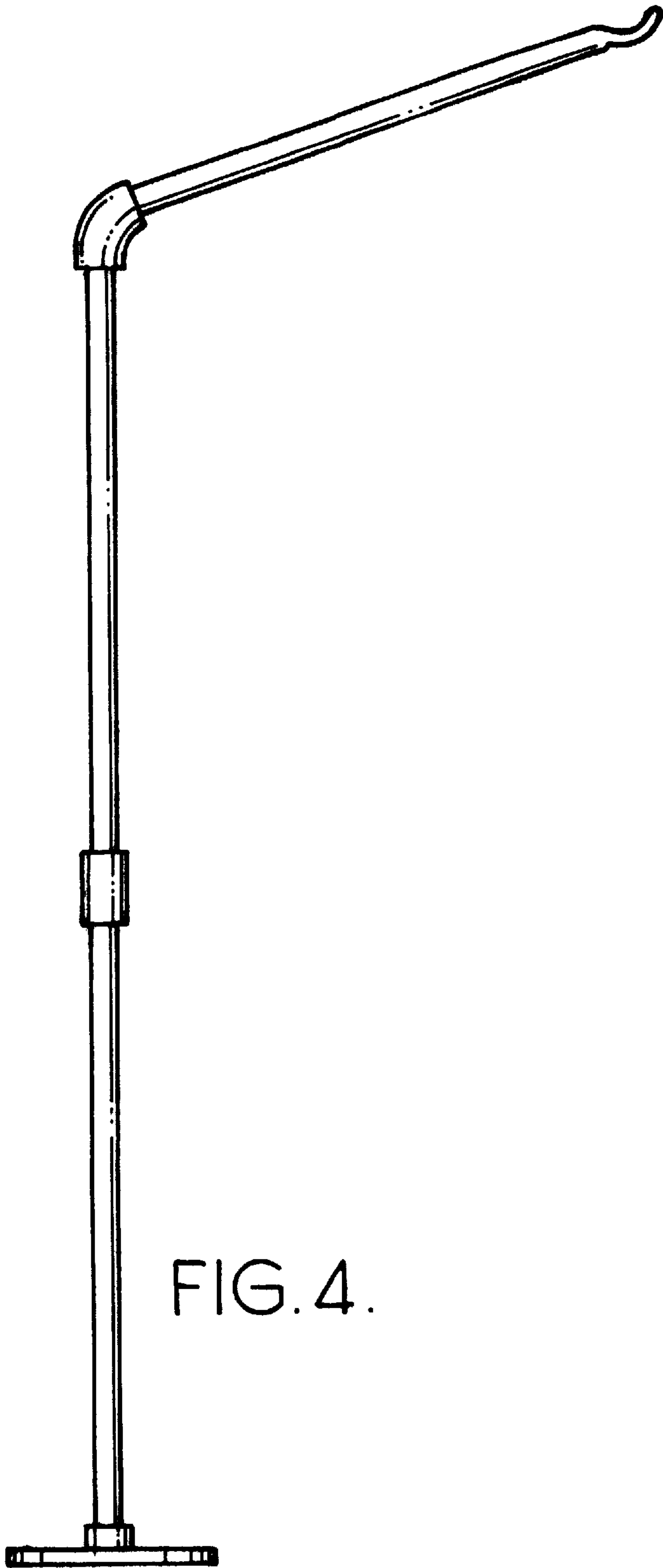


FIG. 4.

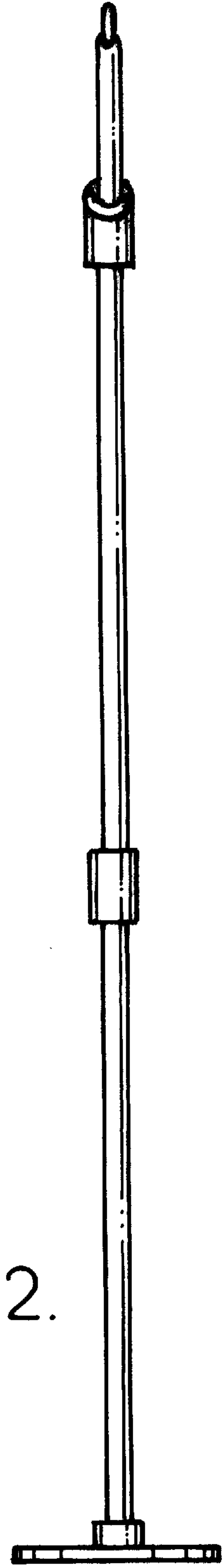


FIG 2.

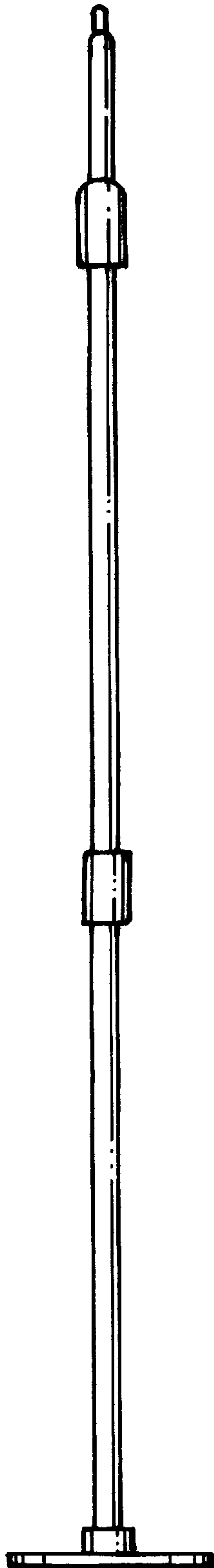


FIG. 3.

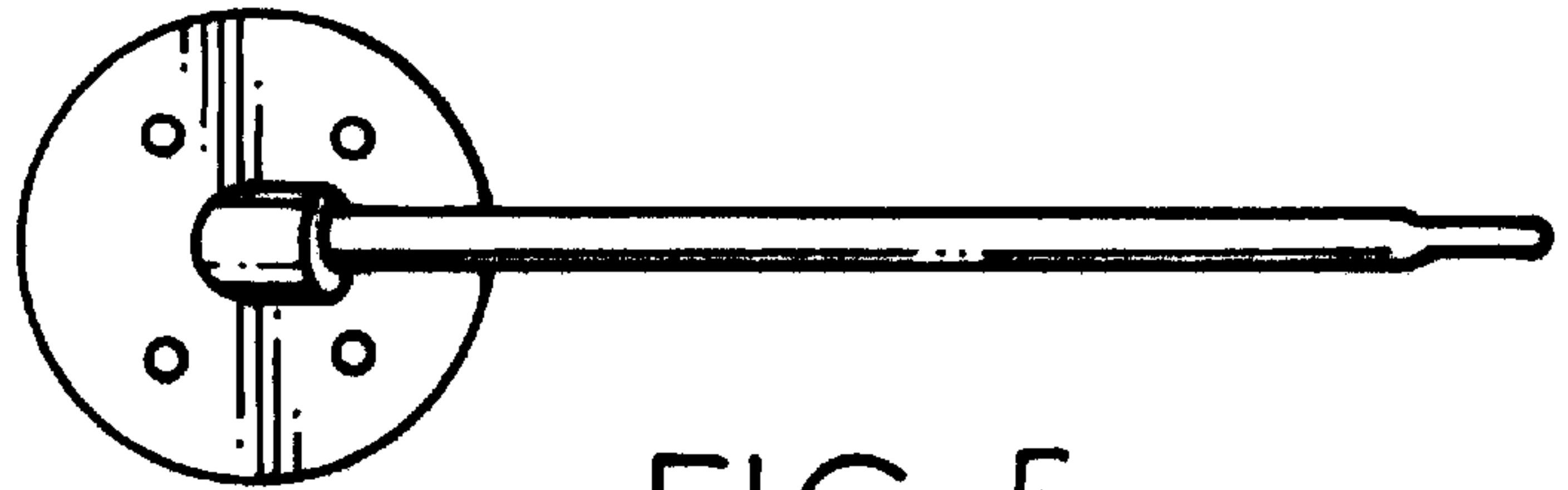


FIG. 5.



FIG. 6.

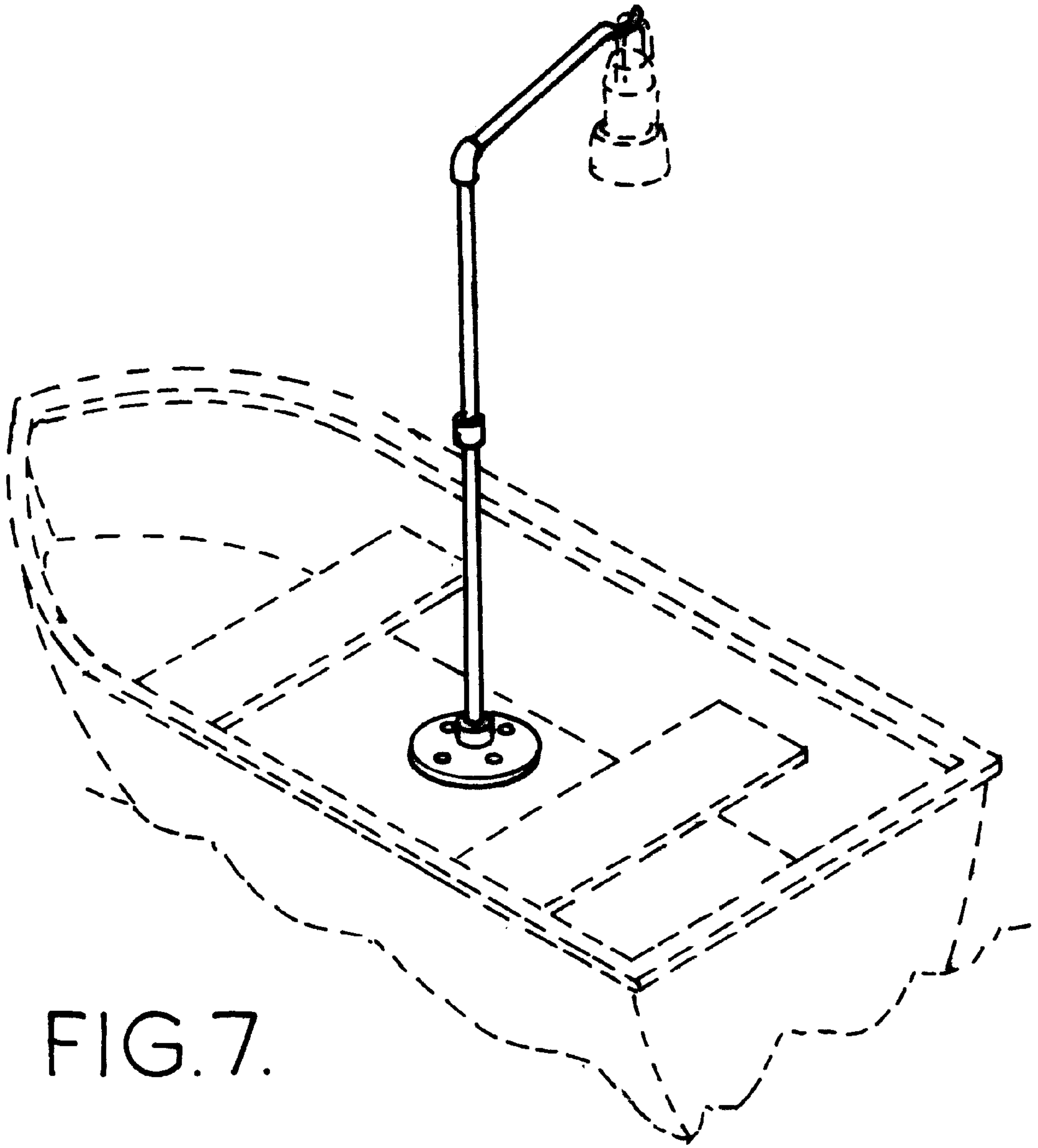


FIG. 7.