



US00D464016S

(12) **United States Design Patent**  
**Orr et al.**

(10) **Patent No.:** **US D464,016 S**

(45) **Date of Patent:** **\*\* Oct. 8, 2002**

- (54) **PERSONAL WATERCRAFT**
- (75) Inventors: **Bill Orr**, Torrance, CA (US); **Jun Nakajima**, Asaka (JP)
- (73) Assignee: **Honda Giken Kogyo Kabushiki Kaisha**, Tokyo (JP)
- (\*\*) Term: **14 Years**
- (21) Appl. No.: **29/148,306**
- (22) Filed: **Sep. 12, 2001**
- (51) **LOC (7) Cl.** ..... **12-06**
- (52) **U.S. Cl.** ..... **D12/307**
- (58) **Field of Search** ..... D12/300-317;  
114/270, 271, 55.5, 55.54, 55.57

- 6,139,219 A 10/2000 Vinarsky
- 6,192,823 B1 2/2001 Tsumiyama et al.
- 6,237,522 B1 5/2001 Kiyohara et al.
- 6,250,983 B1 6/2001 Paterson
- D444,761 S \* 7/2001 Momoi et al. .... D12/307

\* cited by examiner

*Primary Examiner*—Lisa Lichtenstein

(74) *Attorney, Agent, or Firm*—Rankin, Hill, Porter & Clark LLP

(57) **CLAIM**

The ornamental design for a personal watercraft, as shown and described.

**DESCRIPTION**

FIG. 1 is a perspective view showing our new design; FIG. 2 is a right side elevational view thereof; FIG. 3 is a top plan view thereof; FIG. 4 is a front elevational view thereof; FIG. 5 is a rear elevational view thereof; and, FIG. 6 is a left side elevational view thereof. The broken line showing of environmental structure in FIGS. 1-6 is for illustrative purposes only and forms no part of the claimed design.

- (56) **References Cited**
- U.S. PATENT DOCUMENTS**
- D325,556 S \* 4/1992 LaPointe ..... D12/307
- D340,221 S \* 10/1993 Krieger et al. .... D12/307
- D362,652 S \* 9/1995 Chuk ..... D12/307
- 5,685,254 A 11/1997 Jacques
- D399,182 S \* 10/1998 LaPointe et al. .... D12/307
- 6,116,182 A 9/2000 Koyanagi

**1 Claim, 3 Drawing Sheets**

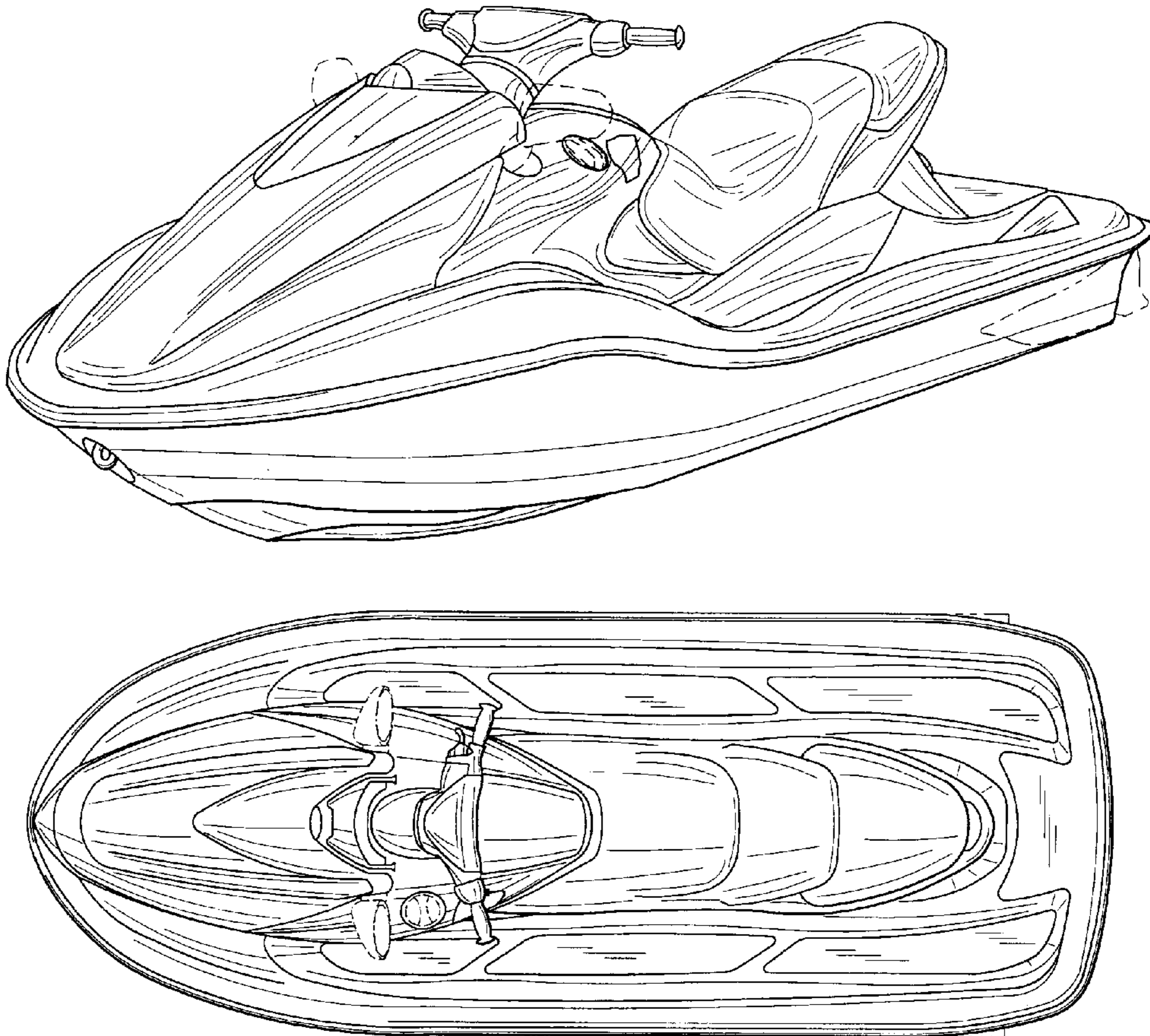




FIG. 1

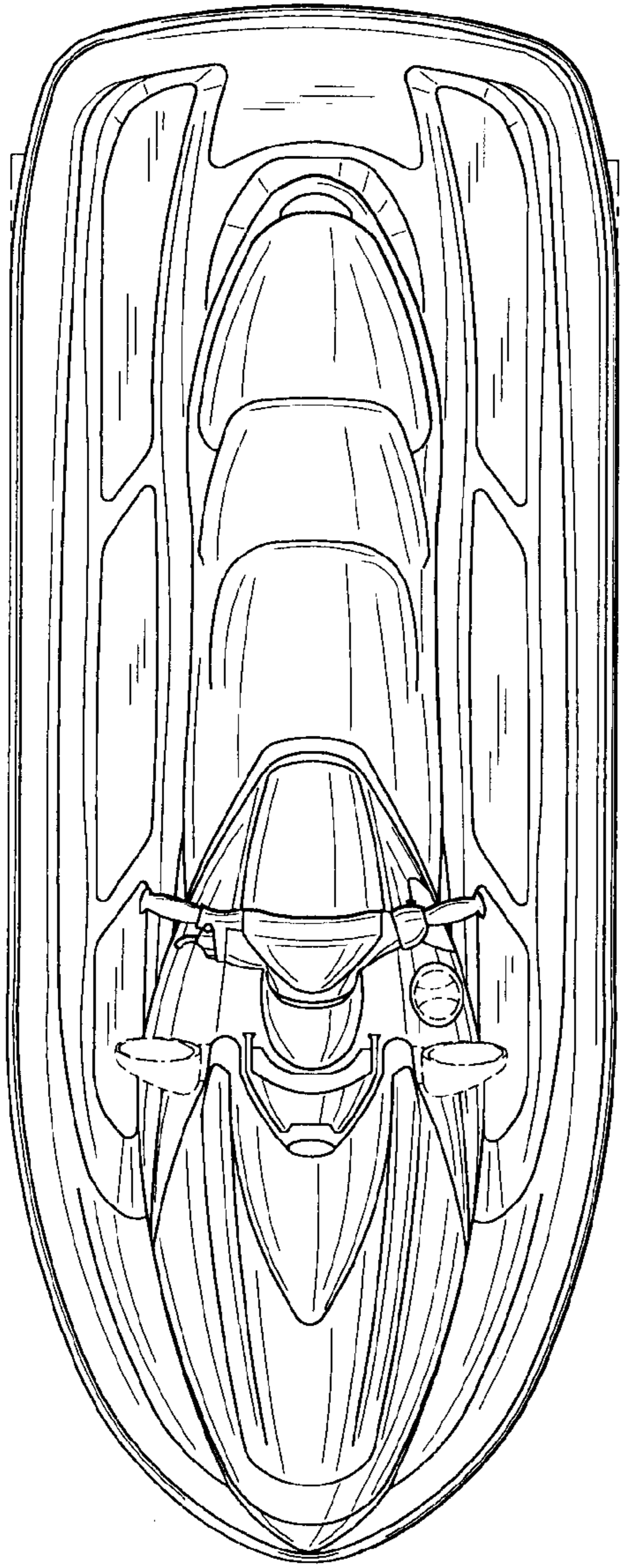


FIG. 3

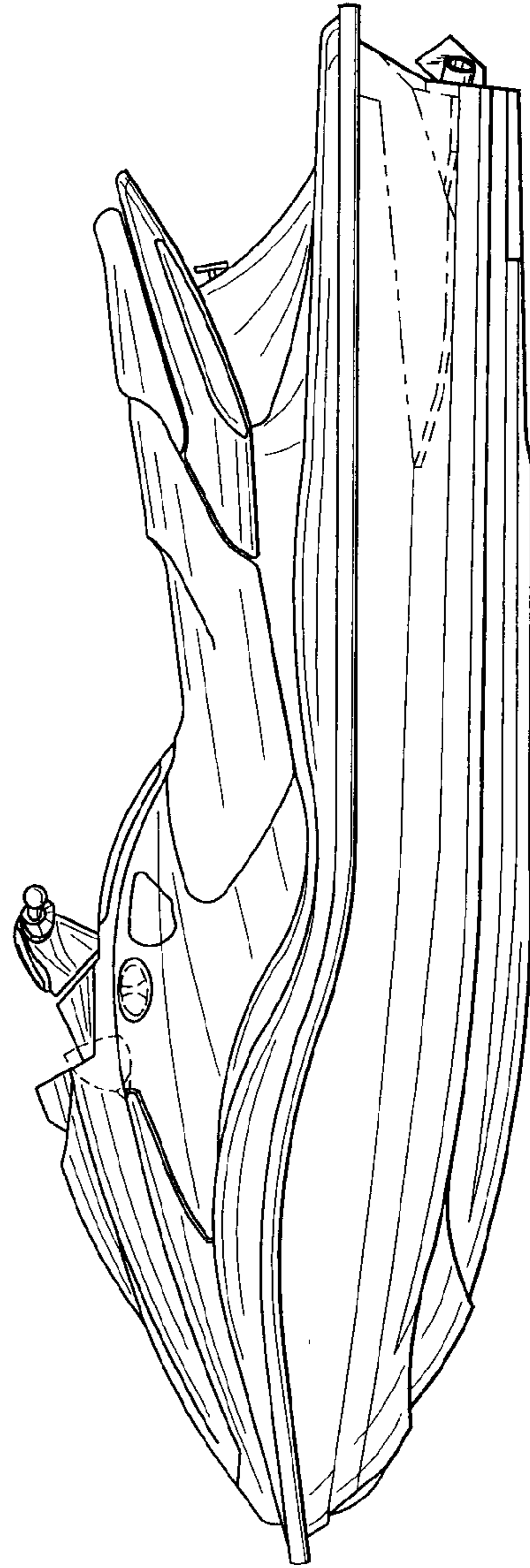


FIG. 2

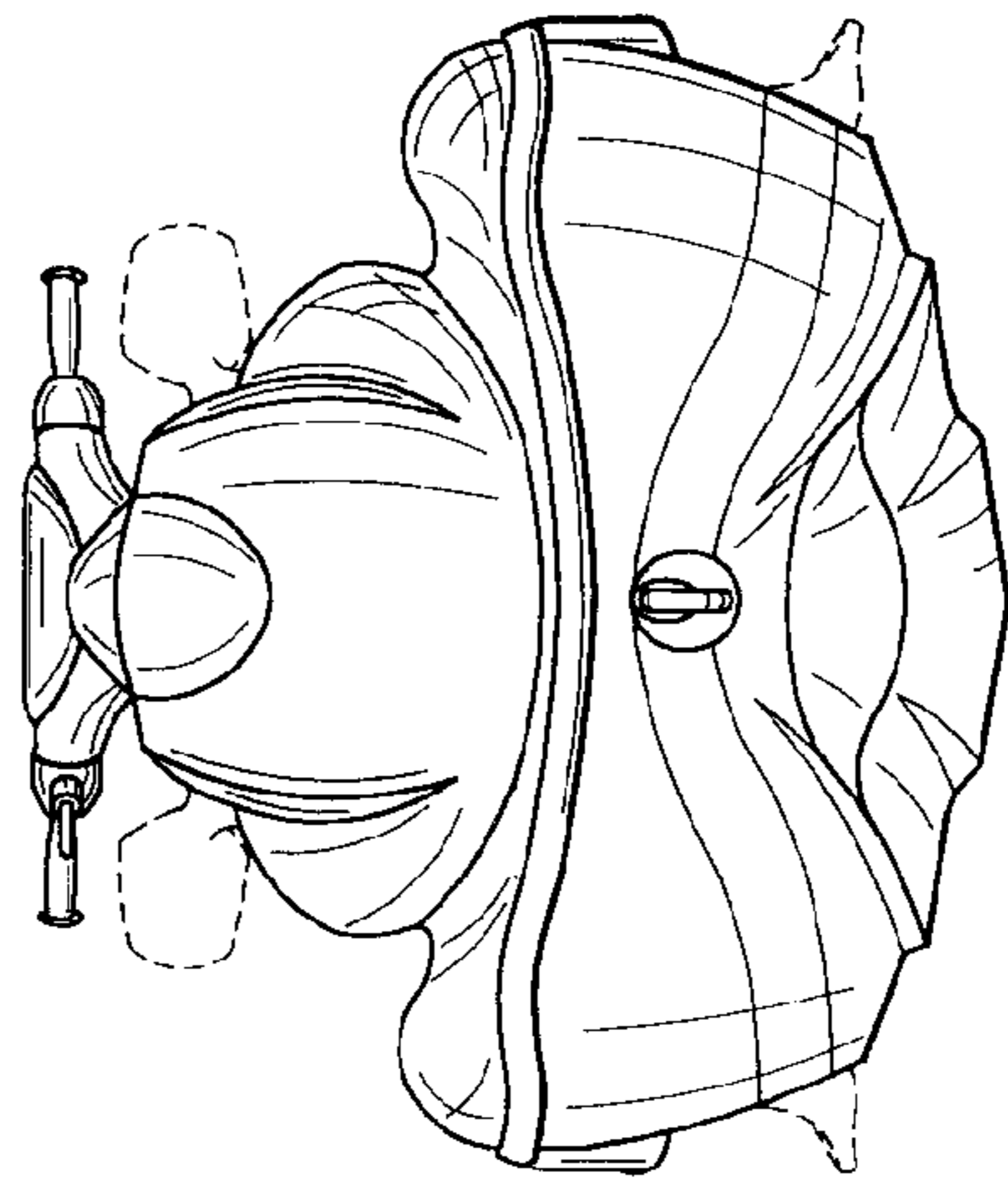


FIG. 4

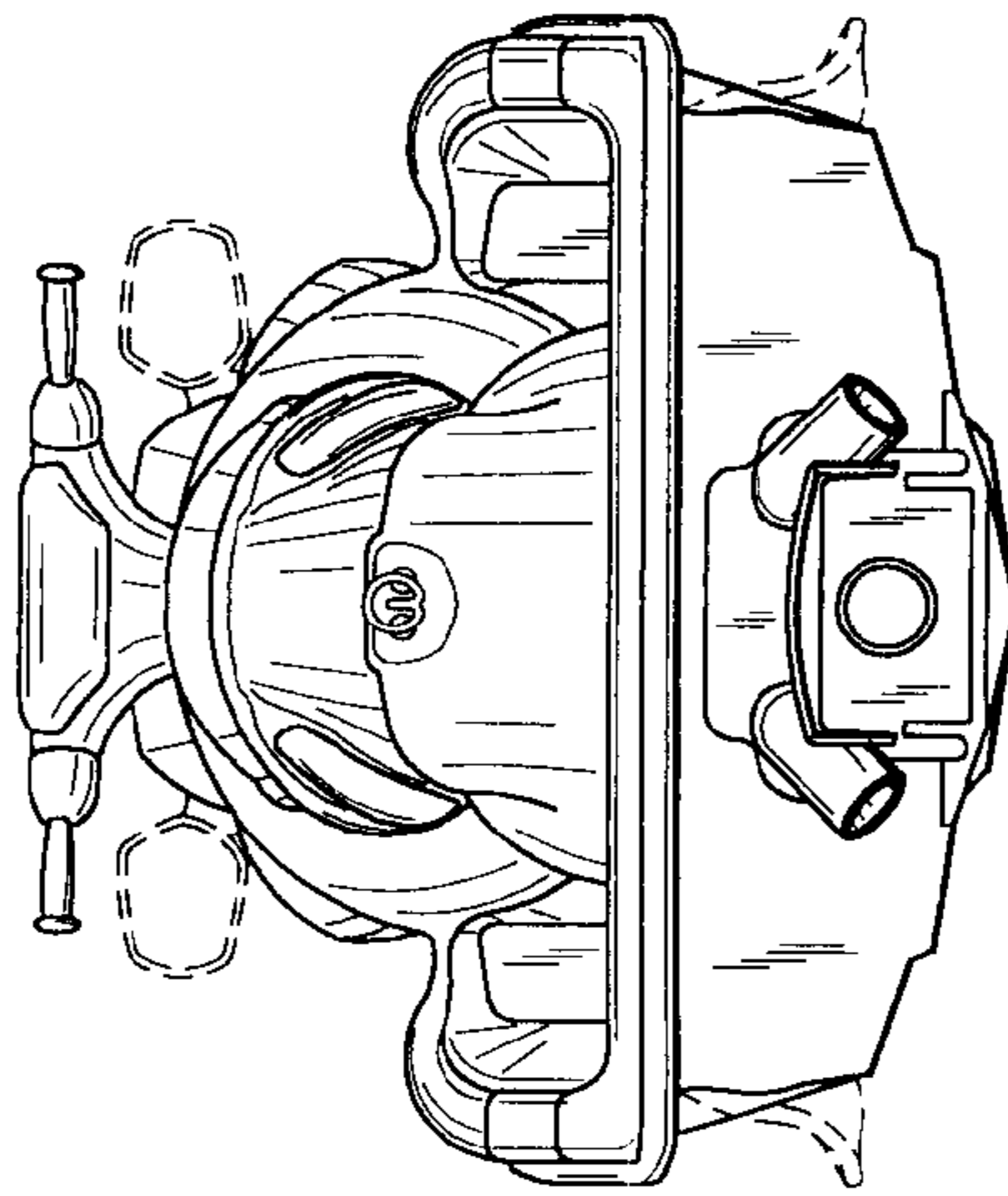


FIG. 5



FIG. 6