



US00D464013S

(12) **United States Design Patent**
Adams et al.

(10) **Patent No.:** **US D464,013 S**

(45) **Date of Patent:** **** Oct. 8, 2002**

(54) **PORT BRACKET**

D448,717 S 10/2001 Hanson et al.

D449,029 S 10/2001 Hanson et al.

D449,268 S 10/2001 Hanson et al.

(75) Inventors: **Katherine A. Adams**, Mishawaka, IN
(US); **Richard W. McCoy**, Granger, IN
(US)

* cited by examiner

(73) Assignee: **Reese Products, Inc.**, Elkhart, IN (US)

Primary Examiner—Melody N. Brown

(74) *Attorney, Agent, or Firm*—King & Schickli, PLLC

(**) Term: **14 Years**

(57) **CLAIM**

(21) Appl. No.: **29/151,789**

The ornamental design of a port bracket, as shown and described.

(22) Filed: **Dec. 10, 2001**

DESCRIPTION

(51) **LOC (7) Cl.** **12-06**

(52) **U.S. Cl.** **D12/223; D8/363; D8/354**

(58) **Field of Search** D12/223, 162;
D8/349, 373, 363, 380, 354; 224/521; 280/416.1,
507-511, 415.1, 491.1-491.3

FIG. 1 is a perspective view of the port bracket of the present invention;

FIG. 2 is a front elevational view thereof;

FIG. 3 is a left side elevational view;

FIG. 4 is a rear elevational view thereof;

FIG. 5 is a right side elevational view thereof;

FIG. 6 is a top plan view thereof; and,

FIG. 7 is a bottom plan view thereof.

The broken lines shown in all drawing views are for illustrative purposes only and form no part of the claimed design.

(56) **References Cited**

U.S. PATENT DOCUMENTS

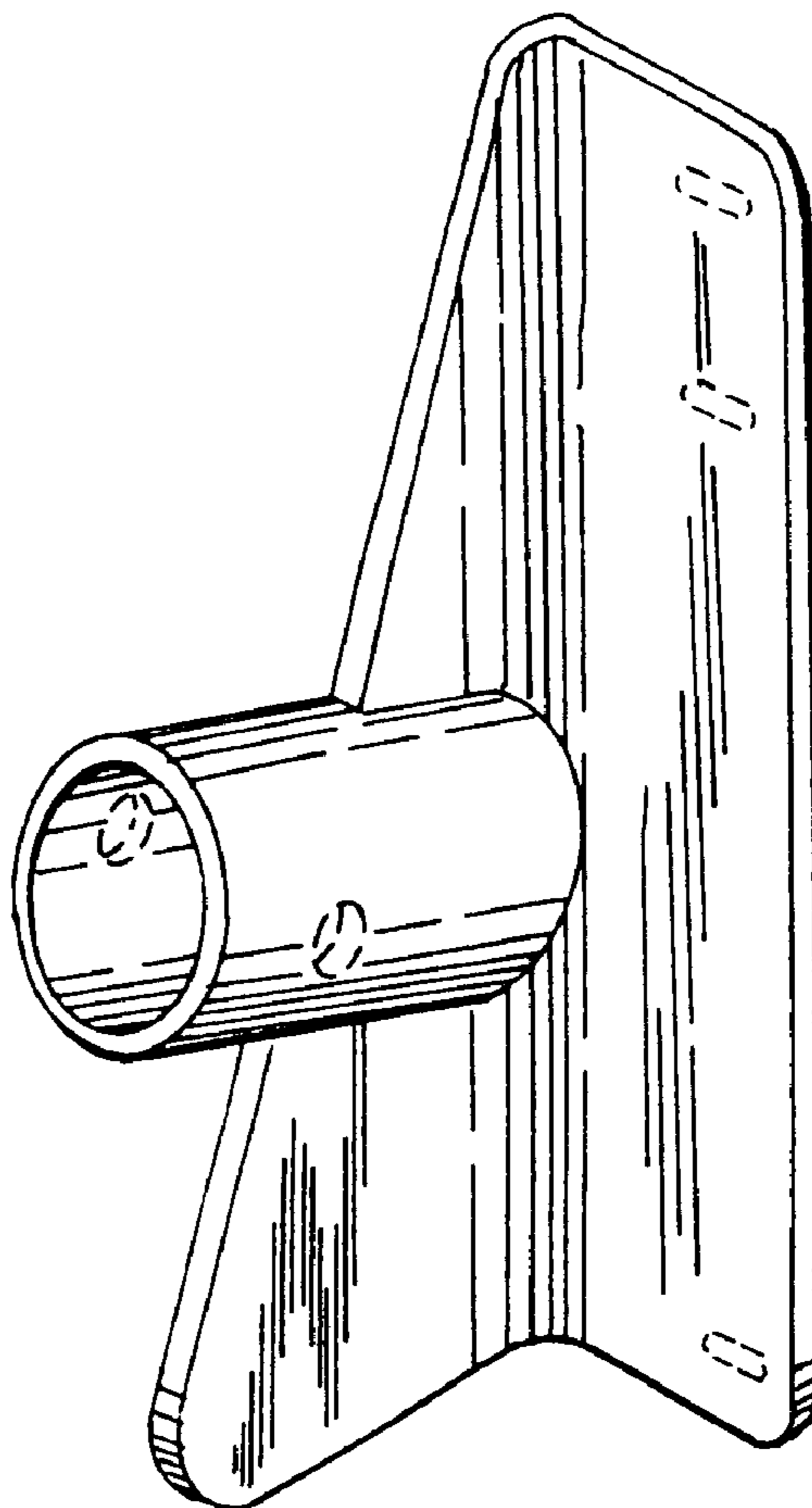
D247,738 S * 4/1978 Rynearson D8/354

4,915,276 A 4/1990 Devito

4,950,010 A 8/1990 Denny

D358,795 S * 5/1995 Viola D12/187

1 Claim, 2 Drawing Sheets



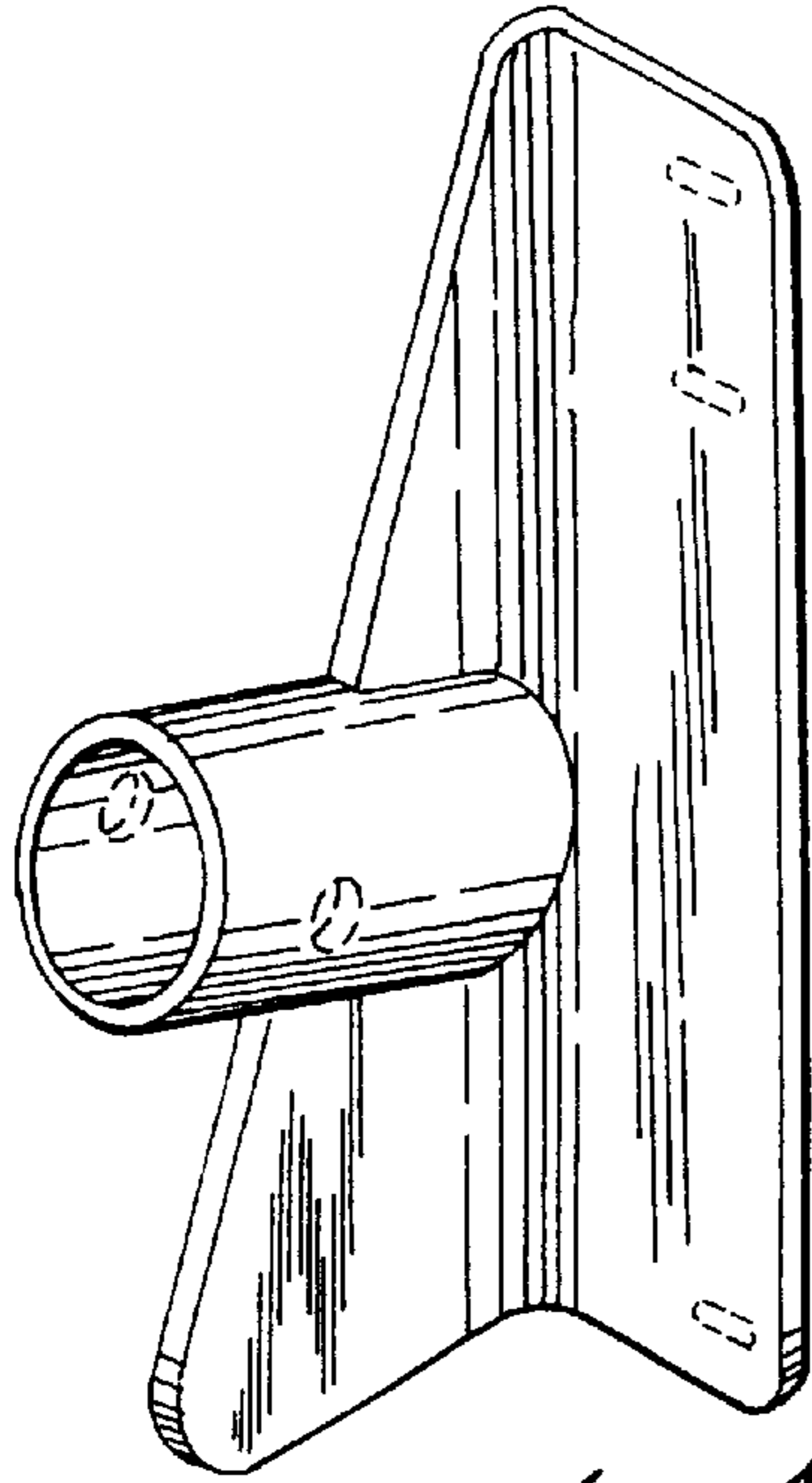


Fig. 1

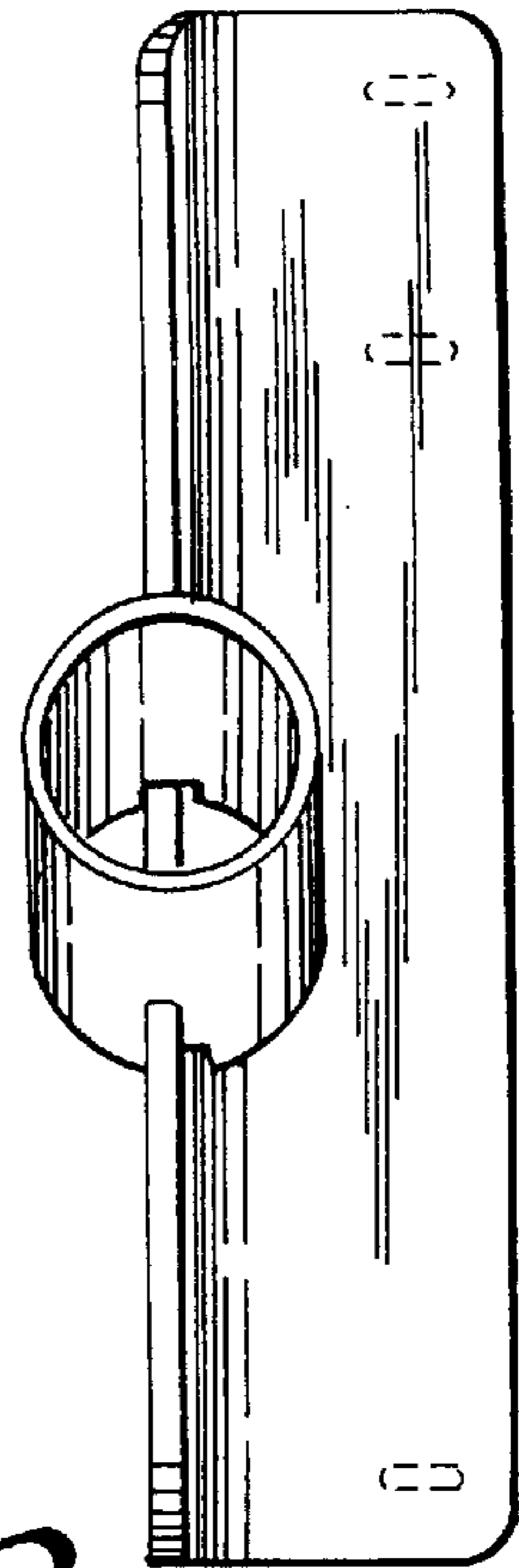


Fig. 2

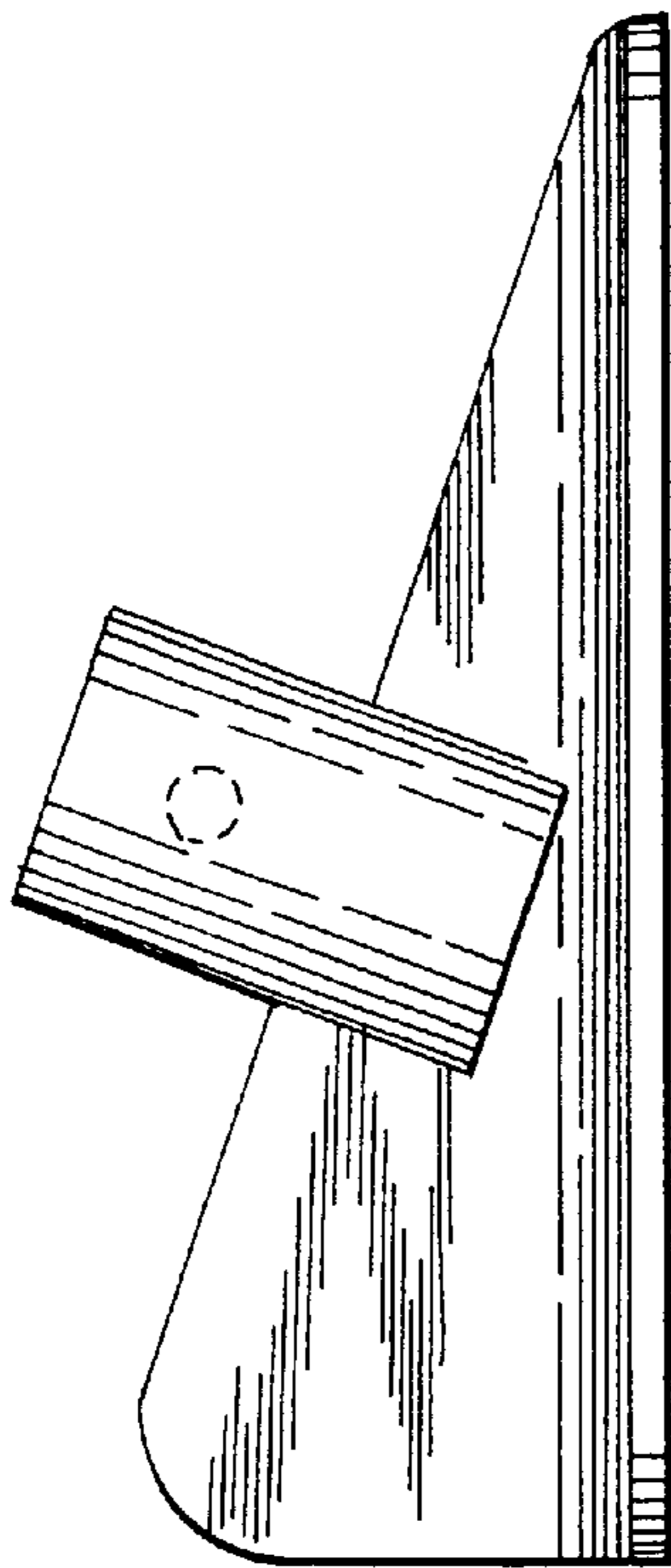
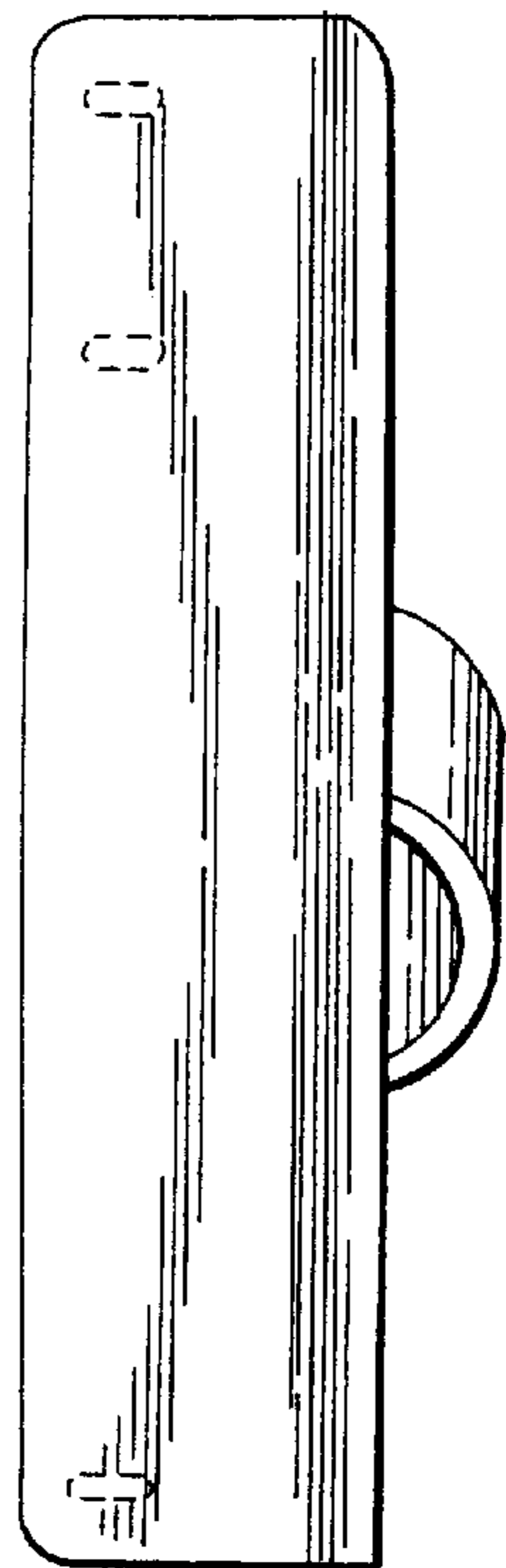


Fig. 3

Fig. 4



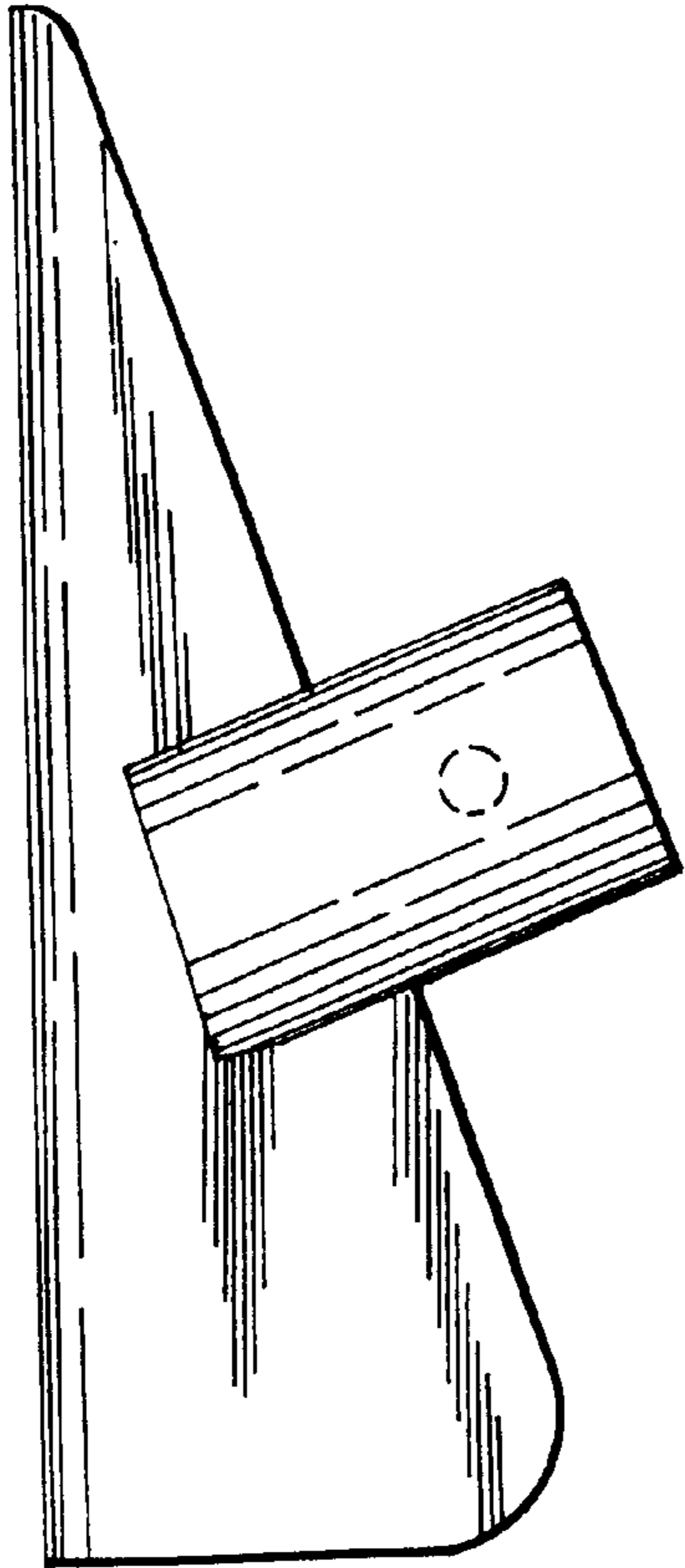


Fig. 5

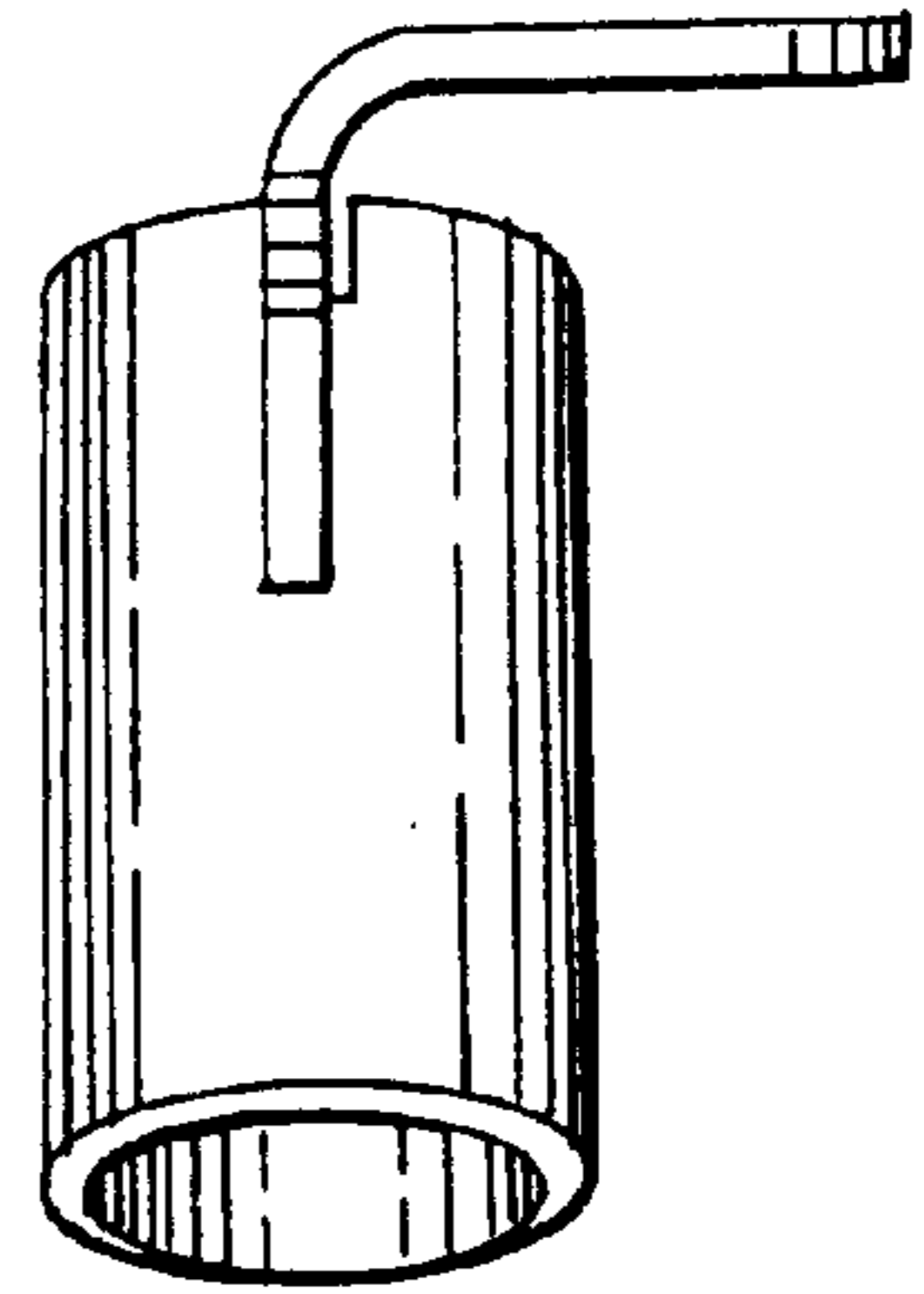


Fig. 6

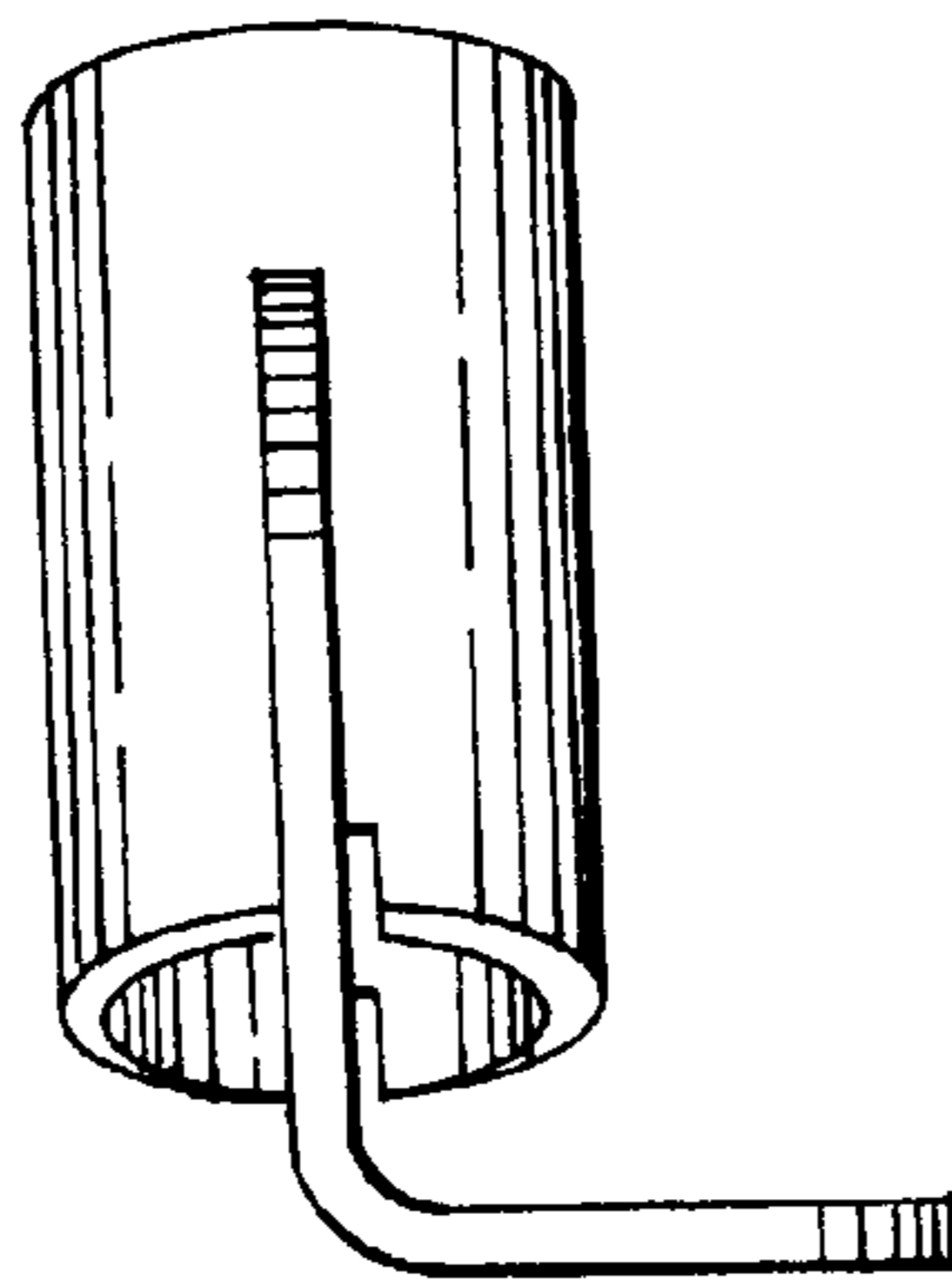


Fig. 7