



US00D464009S

(12) **United States Design Patent**
Laengerer

(10) **Patent No.:** **US D464,009 S**

(45) **Date of Patent:** **** Oct. 8, 2002**

(54) **FRONT FACE OF A VEHICLE WHEEL**

(75) **Inventor:** **Marcus Laengerer, Renningen (DE)**

(73) **Assignee:** **DaimlerChrysler AG, Stuttgart (DE)**

(**) **Term:** **14 Years**

(21) **Appl. No.:** **29/151,102**

(22) **Filed:** **Dec. 5, 2001**

(30) **Foreign Application Priority Data**

Jun. 18, 2001 (DE) 4 01 05 357

(51) **LOC (7) Cl.** **12-16**

(52) **U.S. Cl.** **D12/211**

(58) **Field of Search** D12/204-211;
301/37.1, 64.1, 65

(56) **References Cited**

U.S. PATENT DOCUMENTS

- D225,626 S * 12/1972 Davidson D12/211
- D396,441 S * 7/1998 Nishida D12/209
- D402,951 S * 12/1998 Wechner D12/211
- D404,700 S * 1/1999 Celeste D12/209

- D406,807 S * 3/1999 Shikado D12/211
- D410,886 S * 6/1999 Nishida D12/211
- D428,847 S * 8/2000 Hussaini et al. D12/211
- D433,985 S * 11/2000 Pfeiffer D12/209
- D436,911 S * 1/2001 Chung D12/211
- D441,707 S * 5/2001 Hussaini et al. D12/209
- D445,753 S * 7/2001 Neeper D12/211
- D453,494 S * 2/2002 Brown et al. D12/211

* cited by examiner

Primary Examiner—Stacia Cadmus

(74) *Attorney, Agent, or Firm*—Crowell & Moring LLP

(57) **CLAIM**

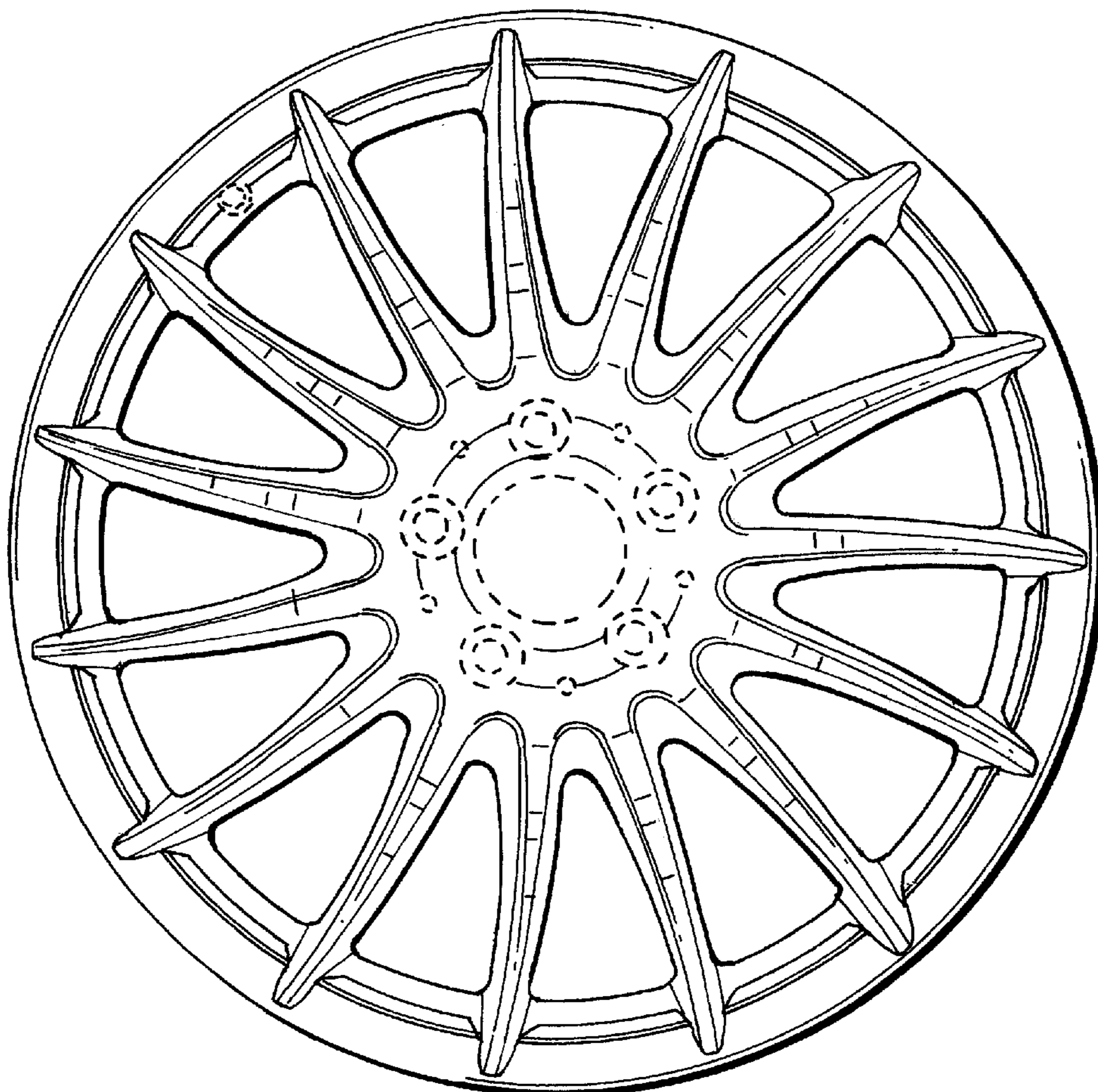
The ornamental design for a front face of a vehicle wheel, as shown and described.

DESCRIPTION

FIG. 1 is a front view of a front face of a vehicle wheel according to my novel design; and, FIG. 2 is a perspective view of the front face of a vehicle wheel according to my novel design.

The dash lines included depict environment and are not part of the claimed design.

1 Claim, 1 Drawing Sheet



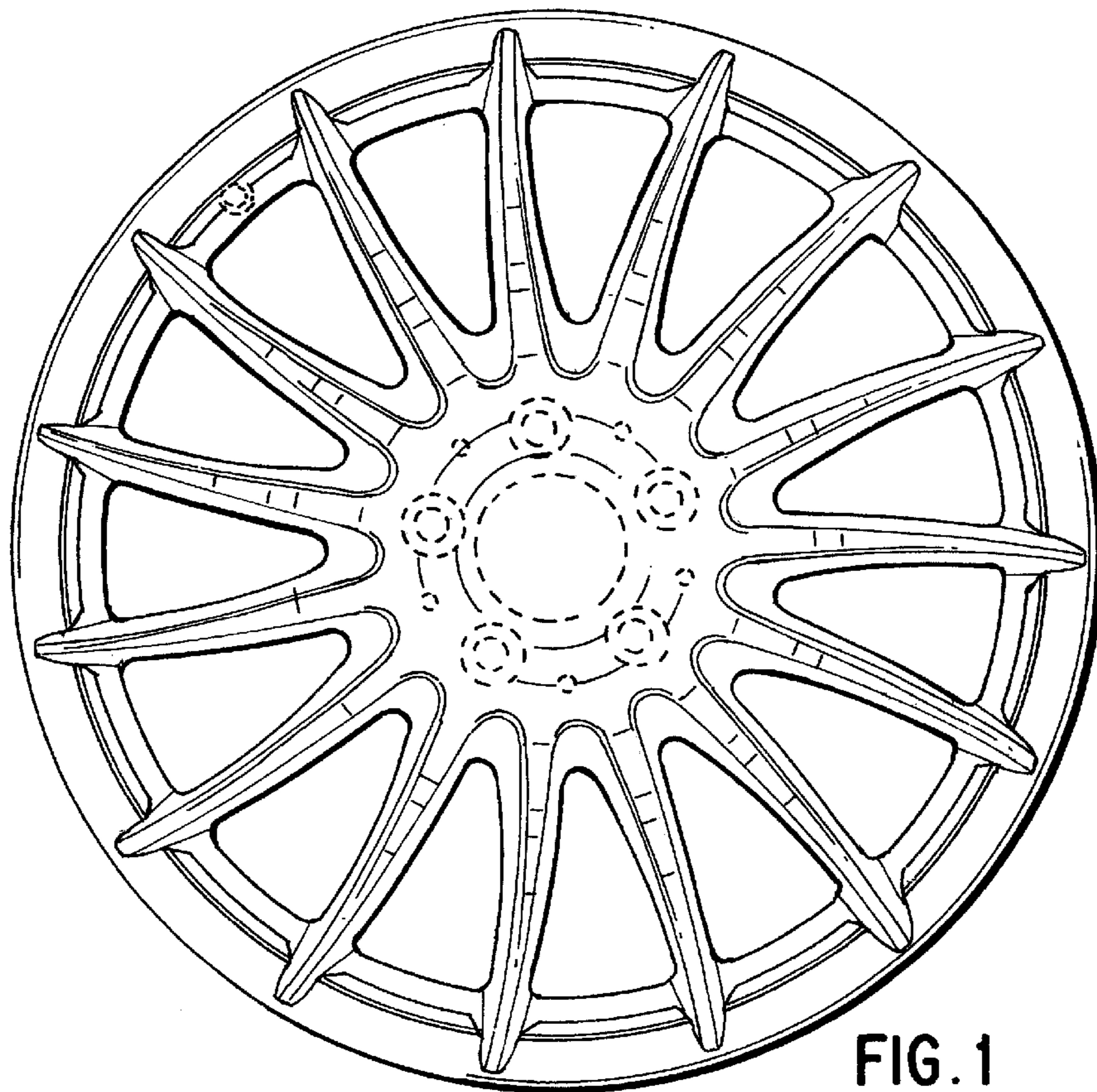


FIG. 1

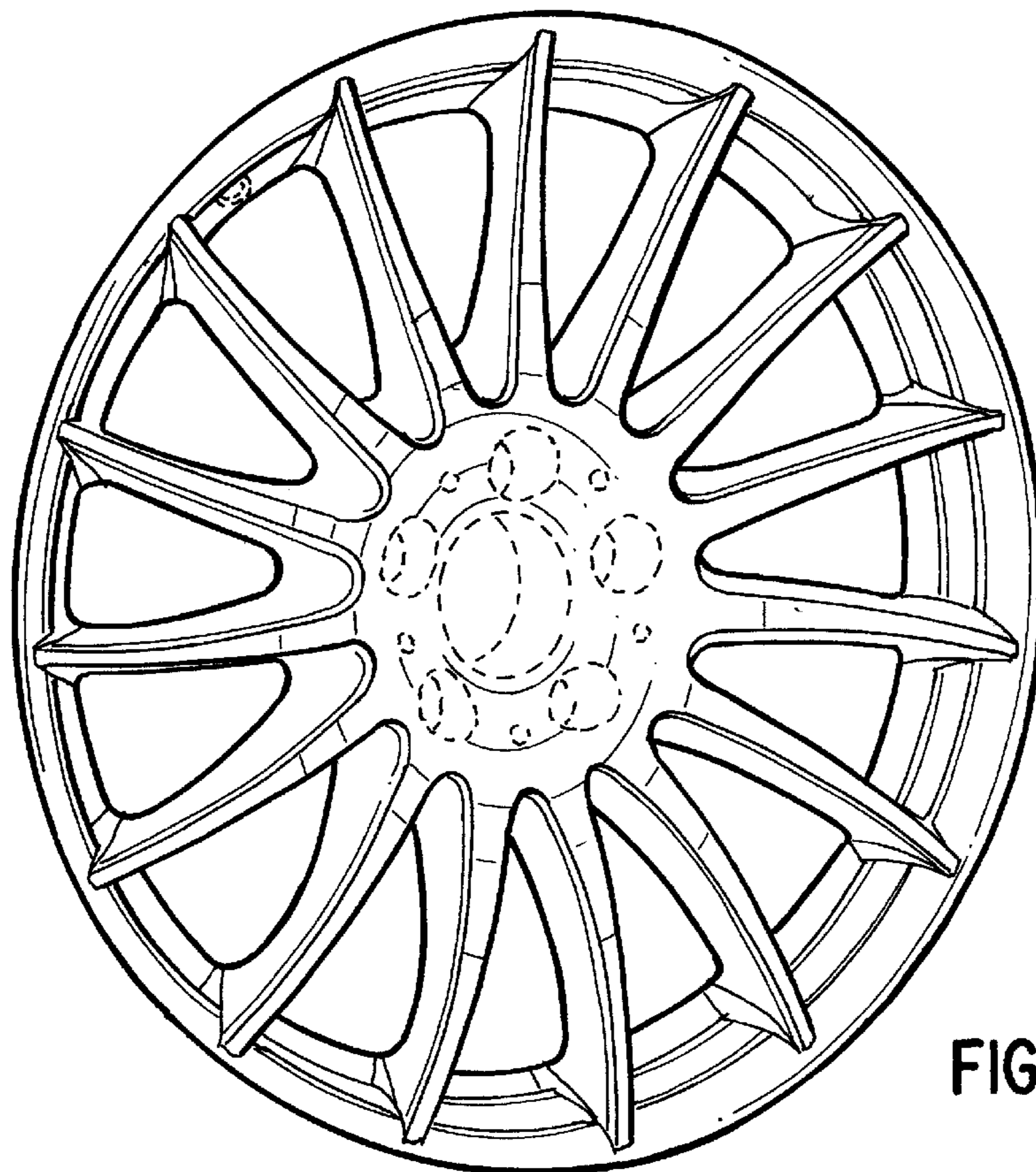


FIG. 2