



US00D464008S

(12) **United States Design Patent**
Siegert et al.

(10) **Patent No.:** **US D464,008 S**

(45) **Date of Patent:** **** Oct. 8, 2002**

(54) **SURFACE CONFIGURATION OF A DASHBOARD FOR A VEHICLE**

(75) Inventors: **Franz-Josef Siegert**, Herrenberg (DE);
Hugh Robinson, Stuttgart (DE);
Romuald Juraschek, Althengstett (DE)

(73) Assignee: **Dr. Ing. h.c.F. Porsche**, Stuttgart (DE)

(**) Term: **14 Years**

(21) Appl. No.: **29/151,820**

(22) Filed: **Dec. 12, 2001**

(30) **Foreign Application Priority Data**

Jun. 12, 2001 (DE) 4 01 05 157

(51) **LOC (7) Cl.** **12-16**

(52) **U.S. Cl.** **D12/192**

(58) **Field of Search** D12/192; 180/90;
280/750, 752, DIG. 5; 296/70-74, 190-191;
248/27.1-27.3, 904

(56) **References Cited**

U.S. PATENT DOCUMENTS

D154,638 S * 7/1949 Ross D12/192
D287,355 S * 12/1986 Cornwell D12/192
D369,999 S * 5/1996 Sacco et al. D12/192

D403,641 S * 1/1999 Sacco et al. D12/192
D413,095 S * 8/1999 Abalos et al. D12/192
D423,434 S * 4/2000 Yano et al. D12/192
D423,435 S * 4/2000 Sato D12/192
D424,002 S * 5/2000 Leschke et al. D12/192
D439,211 S * 3/2001 Pfeiffer D12/192
D440,193 S * 4/2001 Pfeiffer D12/192
D449,263 S * 10/2001 Yamazaki et al. D12/192

* cited by examiner

Primary Examiner—Stacia Cadmus

(74) *Attorney, Agent, or Firm*—Crowell & Moring LLP

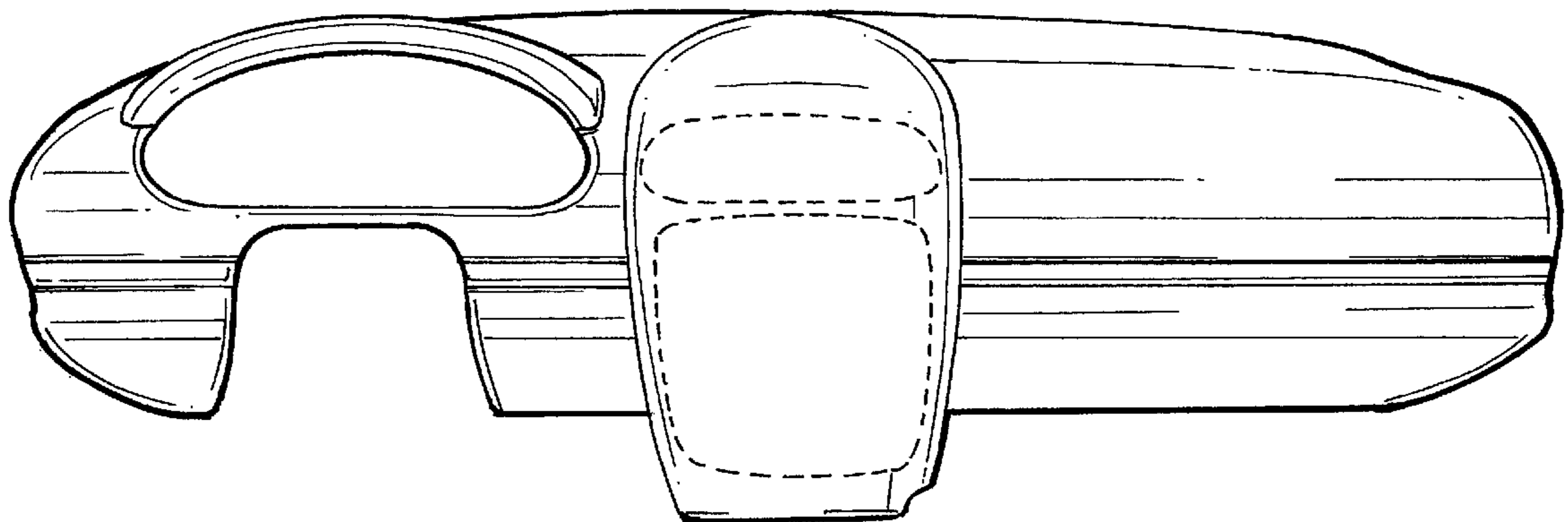
(57) **CLAIM**

The ornamental design for a surface configuration of a dashboard for a vehicle, as shown and described.

DESCRIPTION

FIG. 1 is a front view of a surface configuration of a dashboard for a vehicle according to our novel design; FIG. 2 is a right, perspective view of the surface configuration of a dashboard for a vehicle according to our novel design; and, FIG. 3 is a left, perspective view of the surface configuration of a dashboard for a vehicle according to our novel design. The dash lines included in the drawings depict environment and are not part of the claimed design.

1 Claim, 1 Drawing Sheet



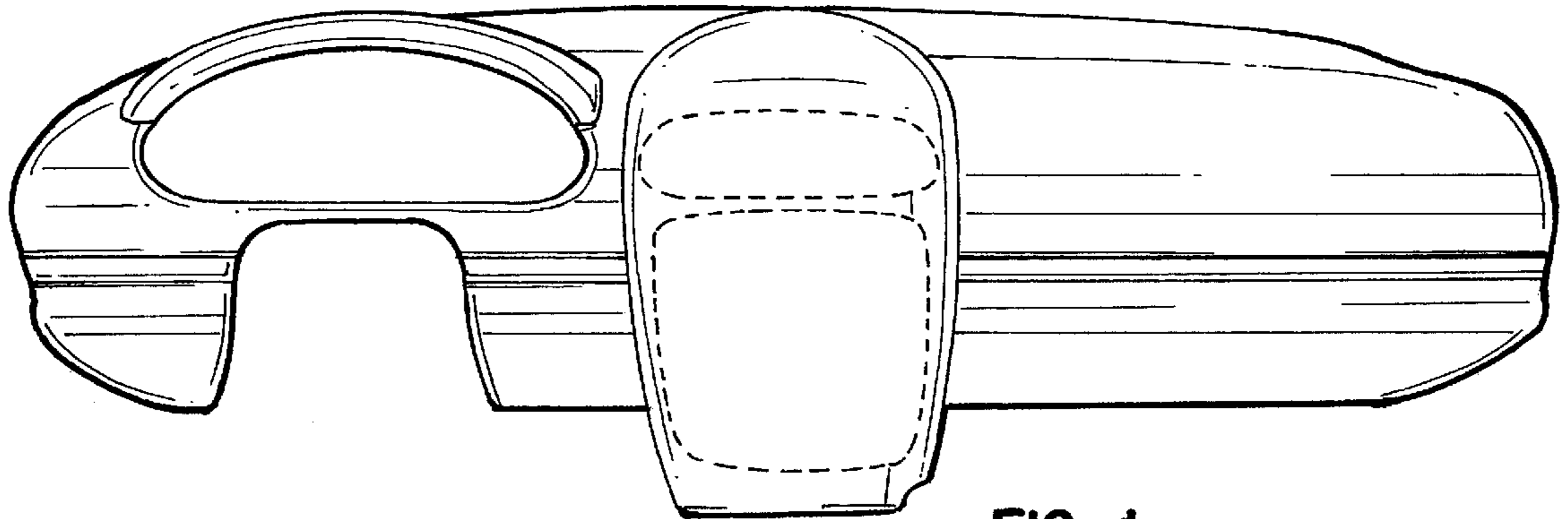


FIG. 1

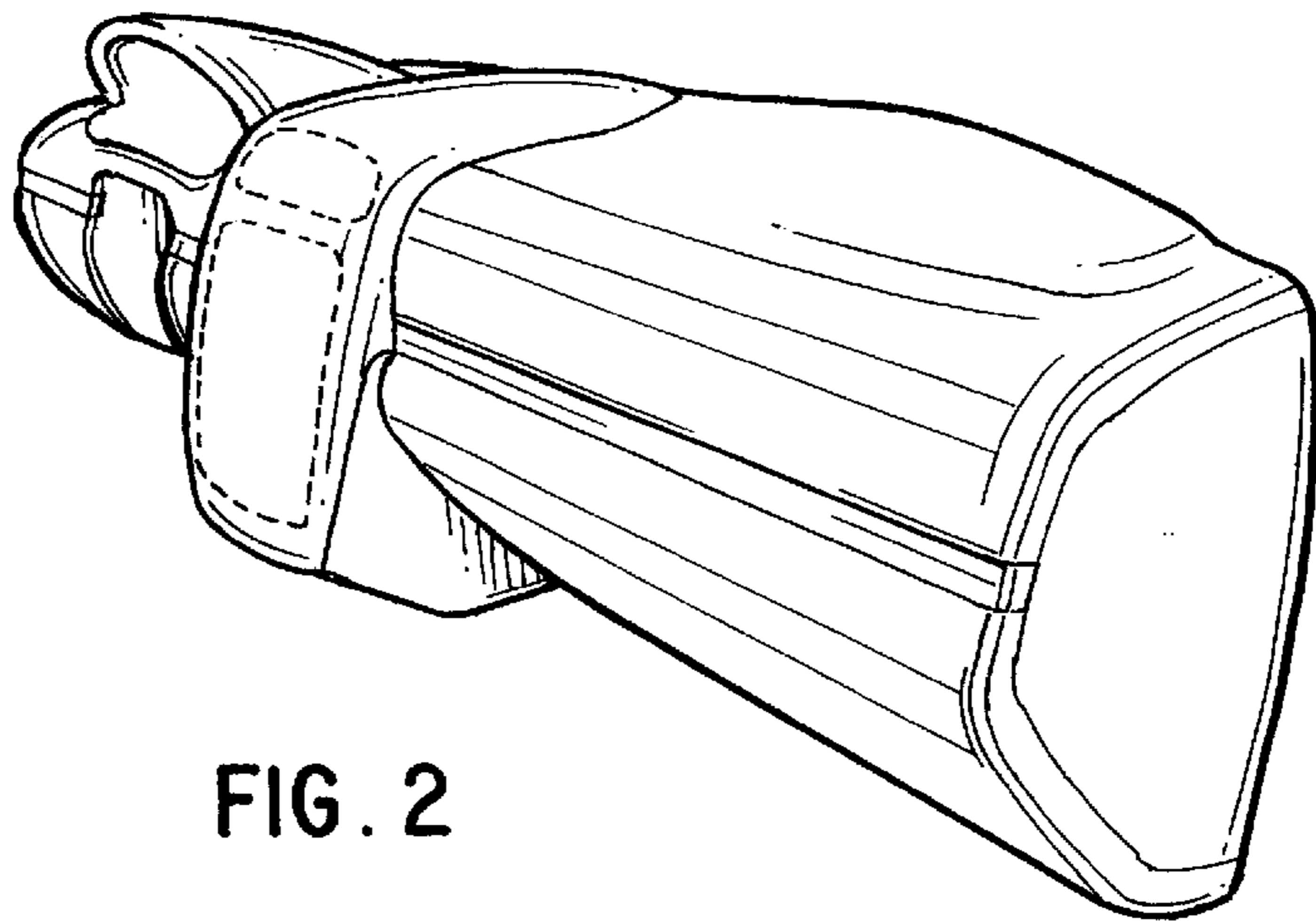


FIG. 2

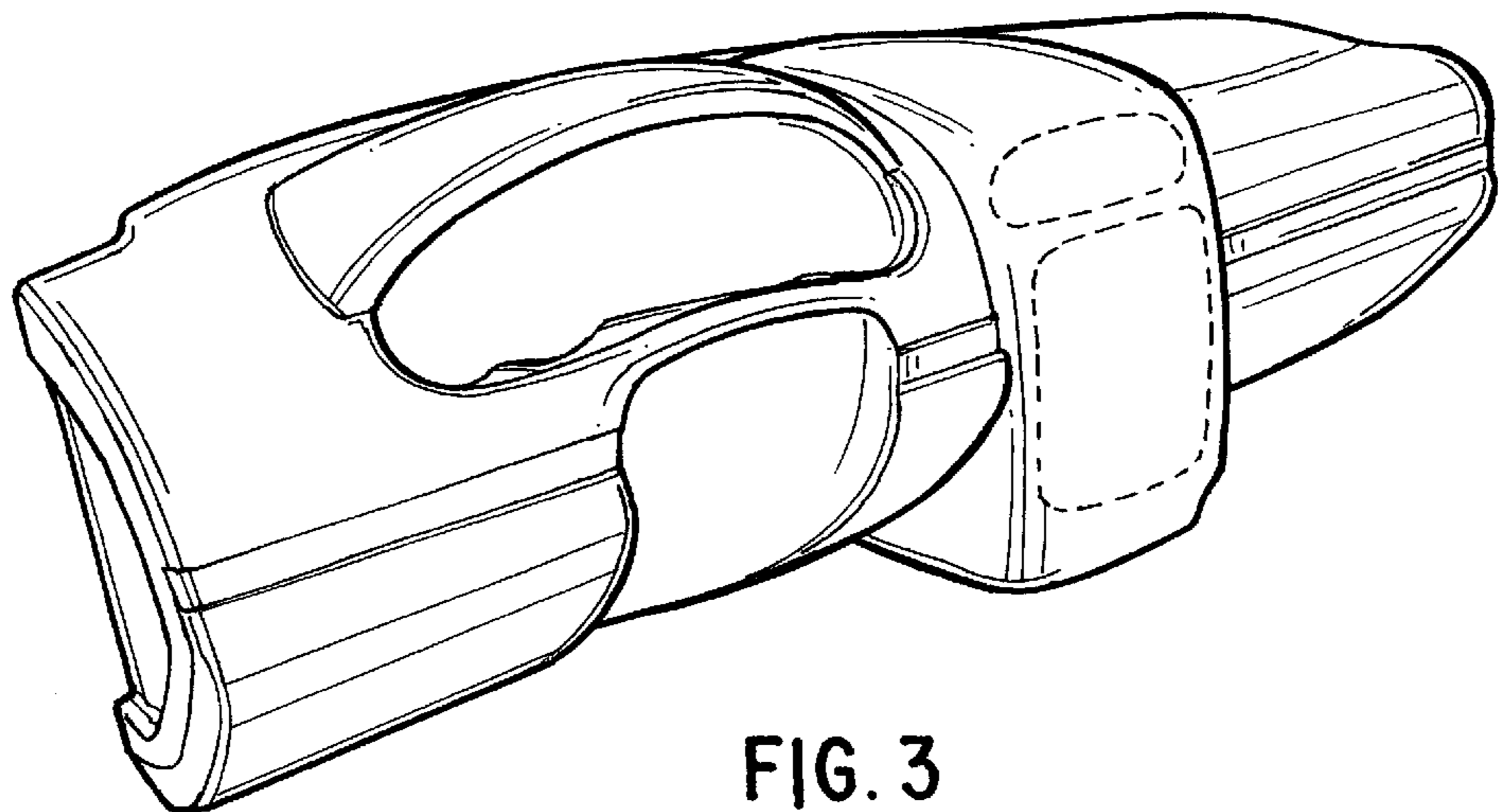


FIG. 3