



US00D464004S

(12) **United States Design Patent**  
**Noshi**

(10) **Patent No.:** **US D464,004 S**

(45) **Date of Patent:** **\*\* Oct. 8, 2002**

(54) **BED**

(75) Inventor: **Shinji Noshi, Yawata (JP)**

(73) Assignee: **Murata Machinery Ltd., Kyoto-sho (JP)**

(\*\*) Term: **14 Years**

(21) Appl. No.: **29/130,443**

(22) Filed: **Oct. 3, 2000**

(30) **Foreign Application Priority Data**

Apr. 17, 2000 (JP) ..... 2000-009984

(51) **LOC (7) Cl.** ..... **12-12**

(52) **U.S. Cl.** ..... **D12/128**

(58) **Field of Search** ..... D12/128, 131;  
D6/334, 335, 336, 360, 361, 367, 368,  
374, 379, 500; 5/428, 81.1, 83.1, 84.1,  
88.1, 89.1, 613, 627; 280/250.1

(56) **References Cited**

**U.S. PATENT DOCUMENTS**

- 5,197,156 A \* 3/1993 Stryker et al. .... 5/428
- 5,303,437 A \* 4/1994 Hung ..... 5/613
- 5,319,813 A \* 6/1994 DiMatteo et al. .... D12/128
- D364,971 S \* 12/1995 Sterlacci ..... D6/367

**OTHER PUBLICATIONS**

U.S. patent application Ser. No. 29/130,444, Shinji Noshi, filed Oct. 3, 2000.

\* cited by examiner

*Primary Examiner*—Marcus A. Jackson

(74) *Attorney, Agent, or Firm*—Sterne, Kessler, Goldstein & Fox P.L.L.C.

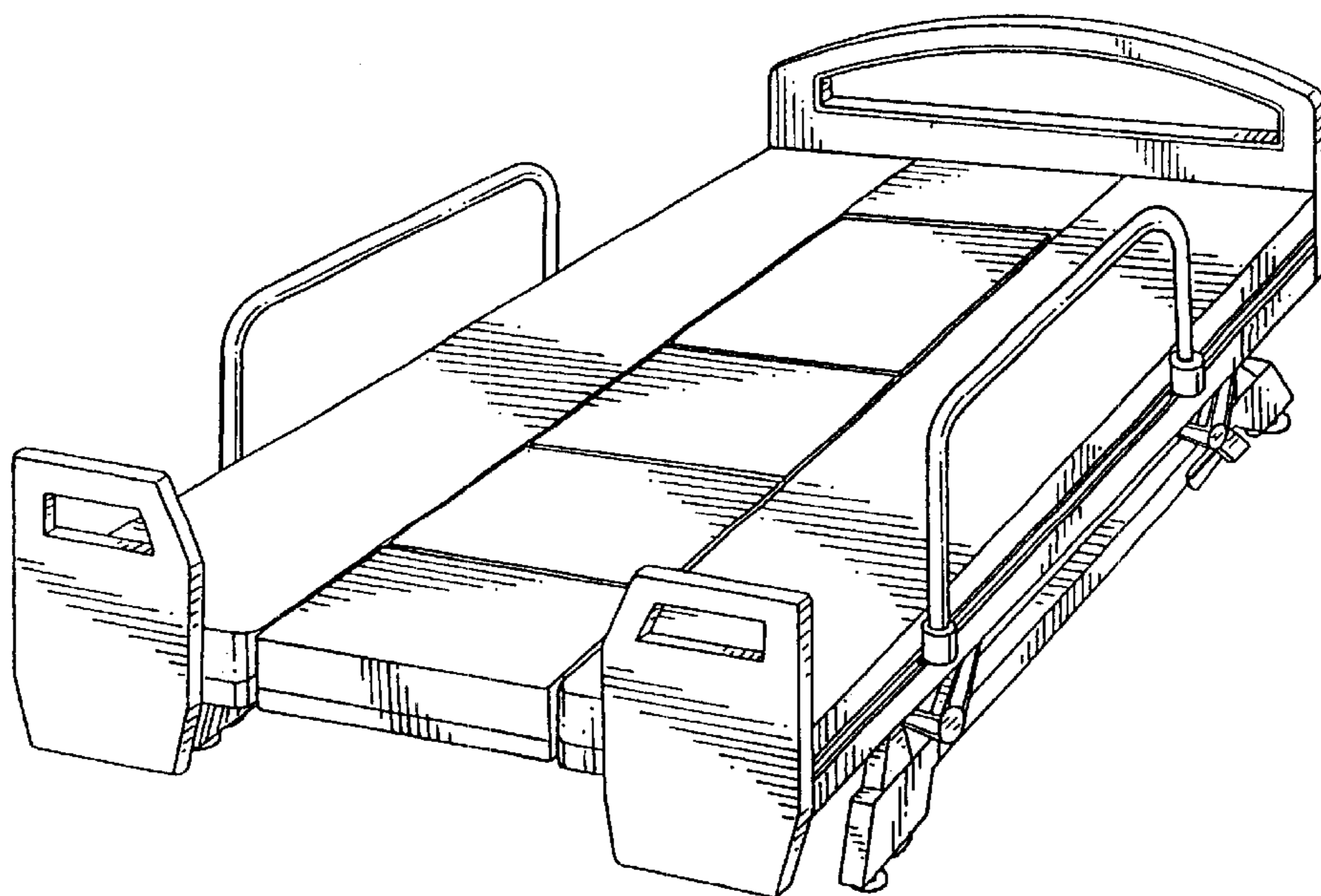
(57) **CLAIM**

The ornamental design for a bed, as shown and described.

**DESCRIPTION**

FIG. 1 is a perspective view of a bed in a flat and lowered position showing my new design;  
 FIG. 2 is a front elevational view thereof;  
 FIG. 3 is a rear elevational view thereof;  
 FIG. 4 is a top plan view thereof;  
 FIG. 5 is a bottom plan view thereof;  
 FIG. 6 is a right side view thereof;  
 FIG. 7 is a left side view thereof;  
 FIG. 8 is a front elevational view of the bed in a flat position showing an alternate embodiment of my new design;  
 FIG. 9 is a rear elevational view of FIG. 8;  
 FIG. 10 is a bottom plan view of FIG. 8;  
 FIG. 11 is a right side elevational view of FIG. 8;  
 FIG. 12 is a left side elevational view of FIG. 8;  
 FIG. 13 is a top plan of the bed in a flat position with the mattress removed of FIG. 1, for clarity of illustration only;  
 FIG. 14 is a top plan view of the bed with the mattress and wheelchair portions removed of FIG. 1, for clarity of illustration only;  
 FIG. 15 is a perspective view of the bed with the wheelchair portion in an upright position of FIG. 1;  
 FIG. 16 is a perspective view of the bed with the bed removed showing the wheelchair portion of FIG. 1;

**1 Claim, 9 Drawing Sheets**



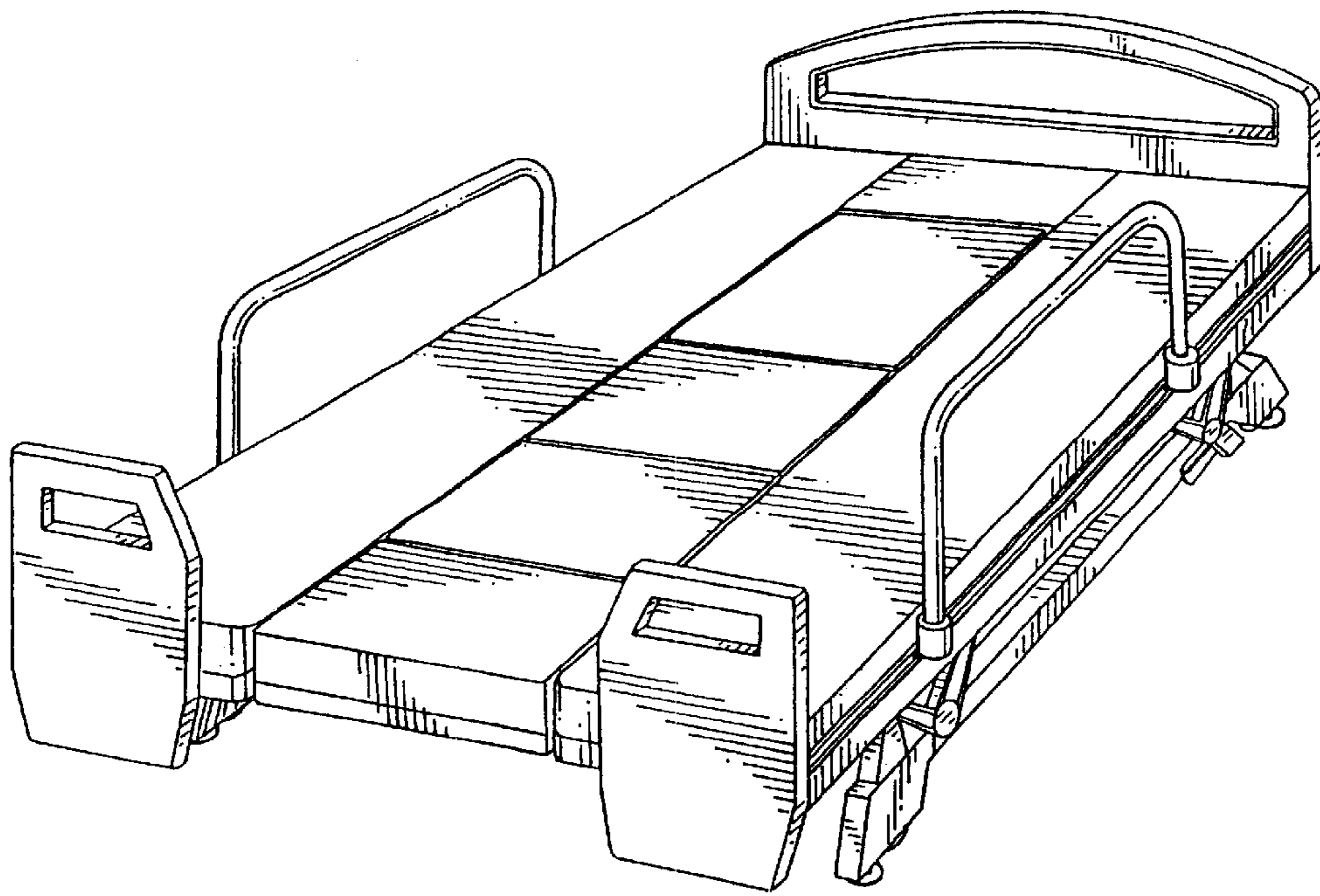


FIG. 1

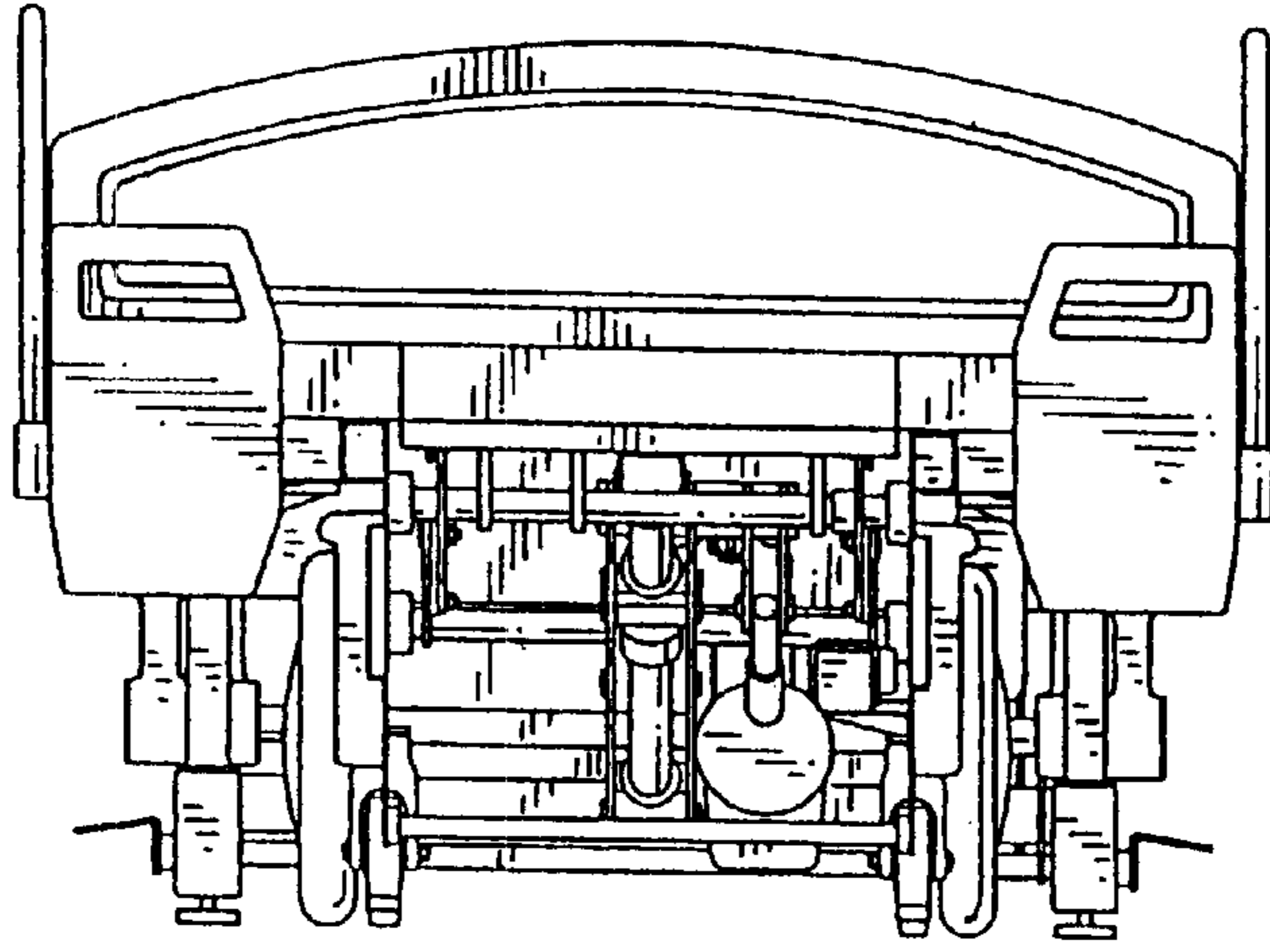


FIG. 2

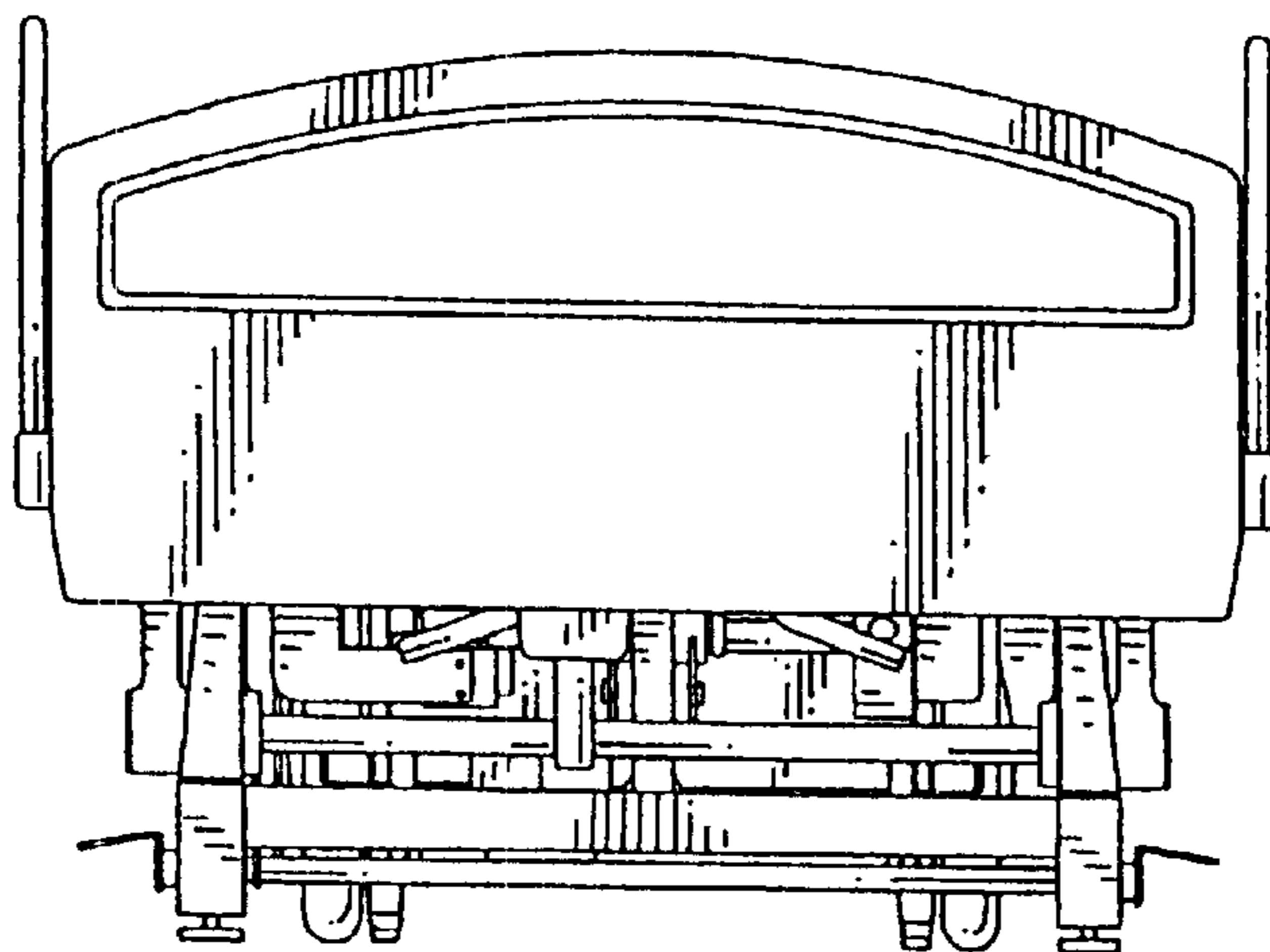


FIG. 3

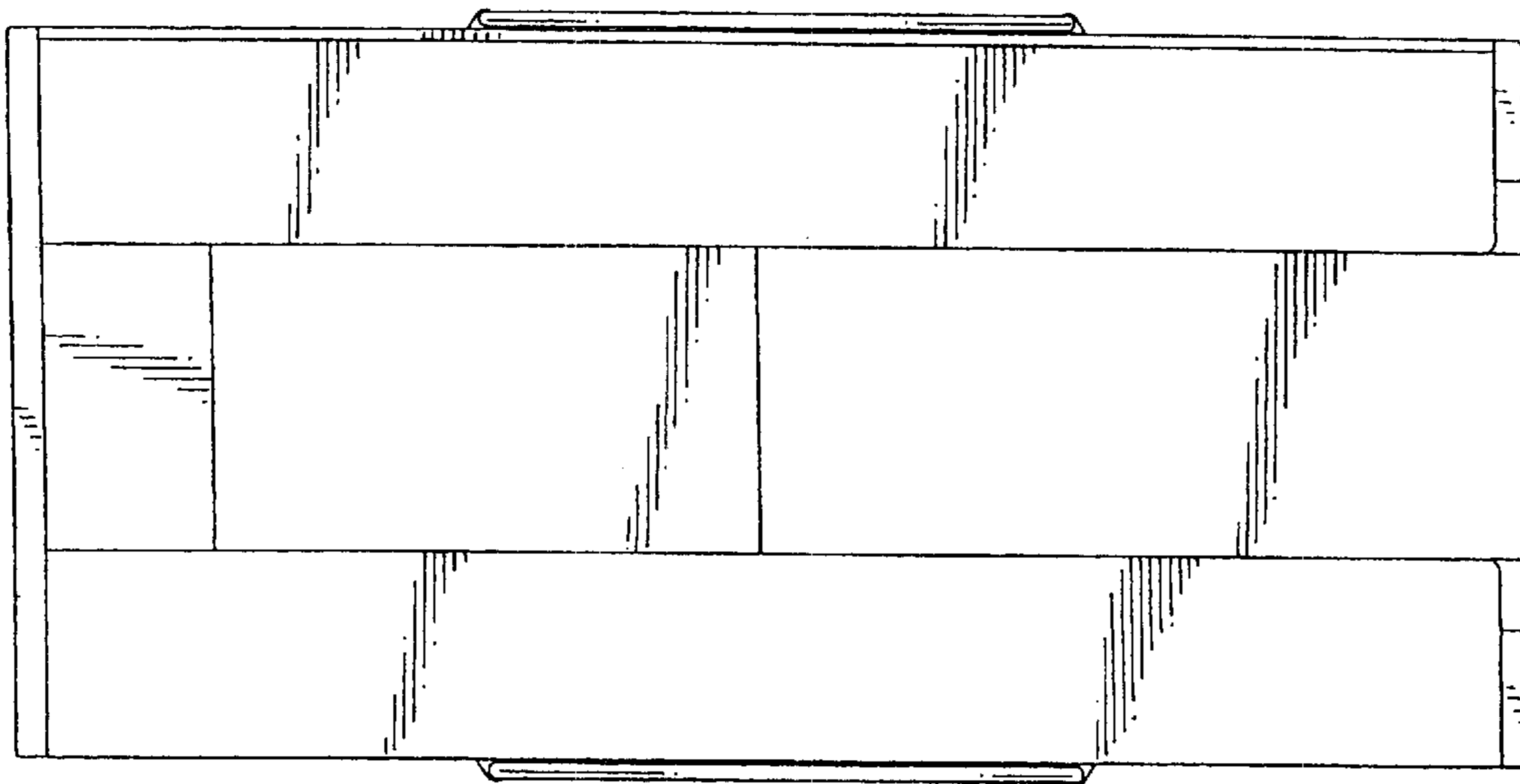


FIG. 4

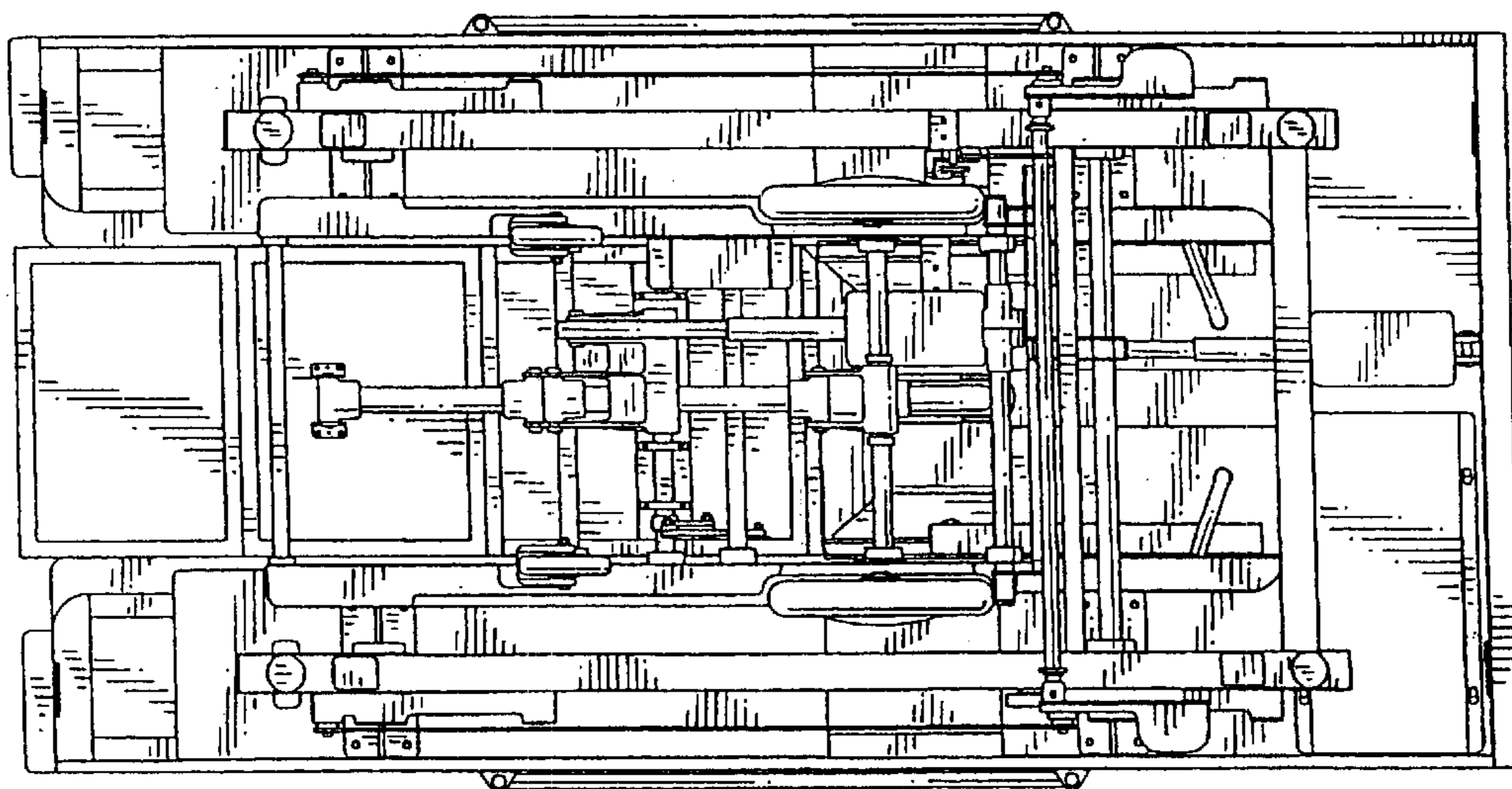


FIG. 5



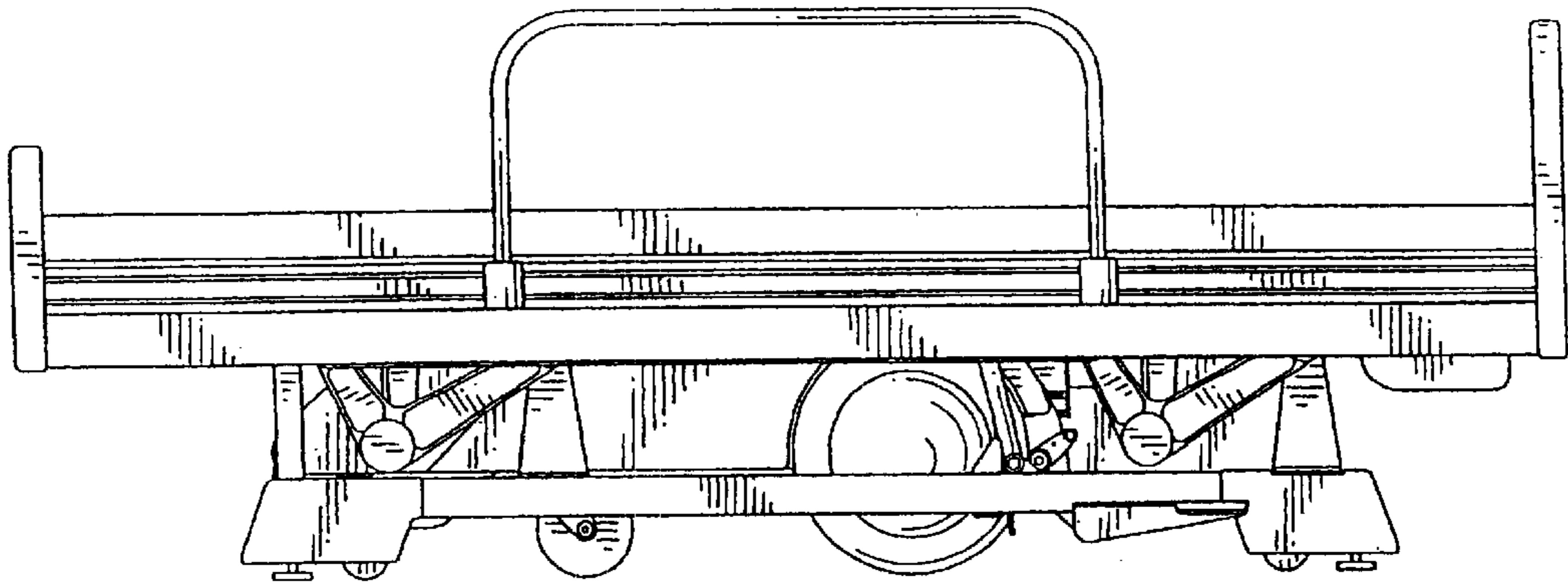


FIG. 6

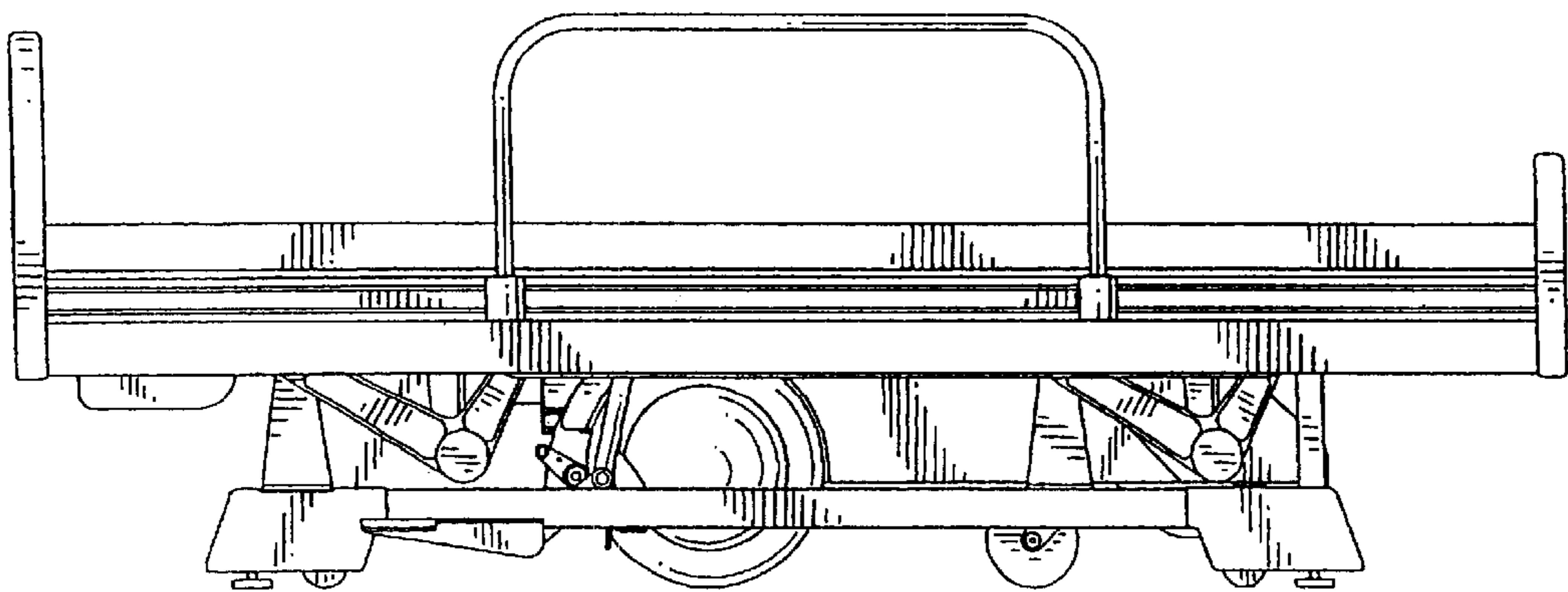


FIG. 7

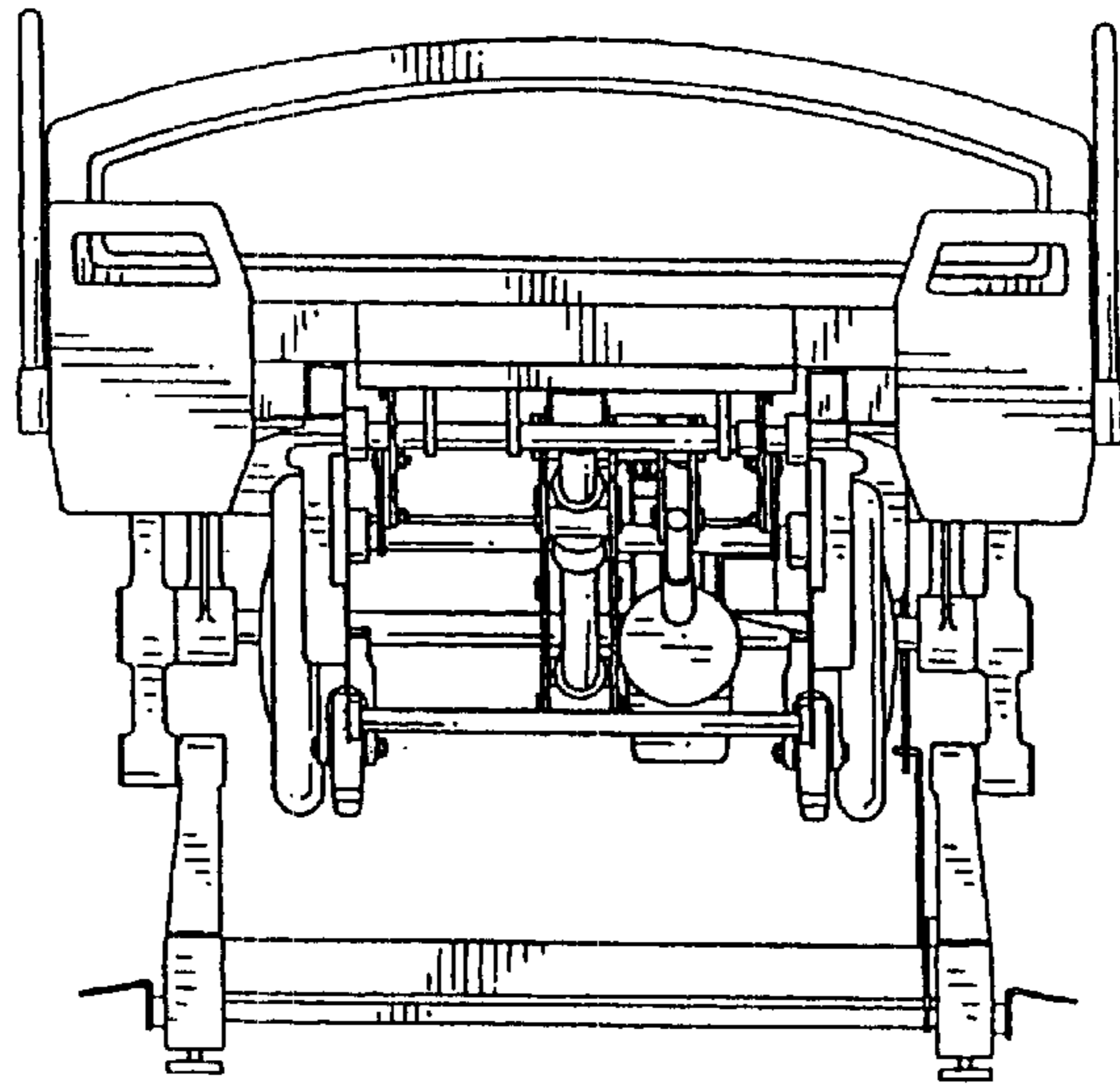


FIG. 8

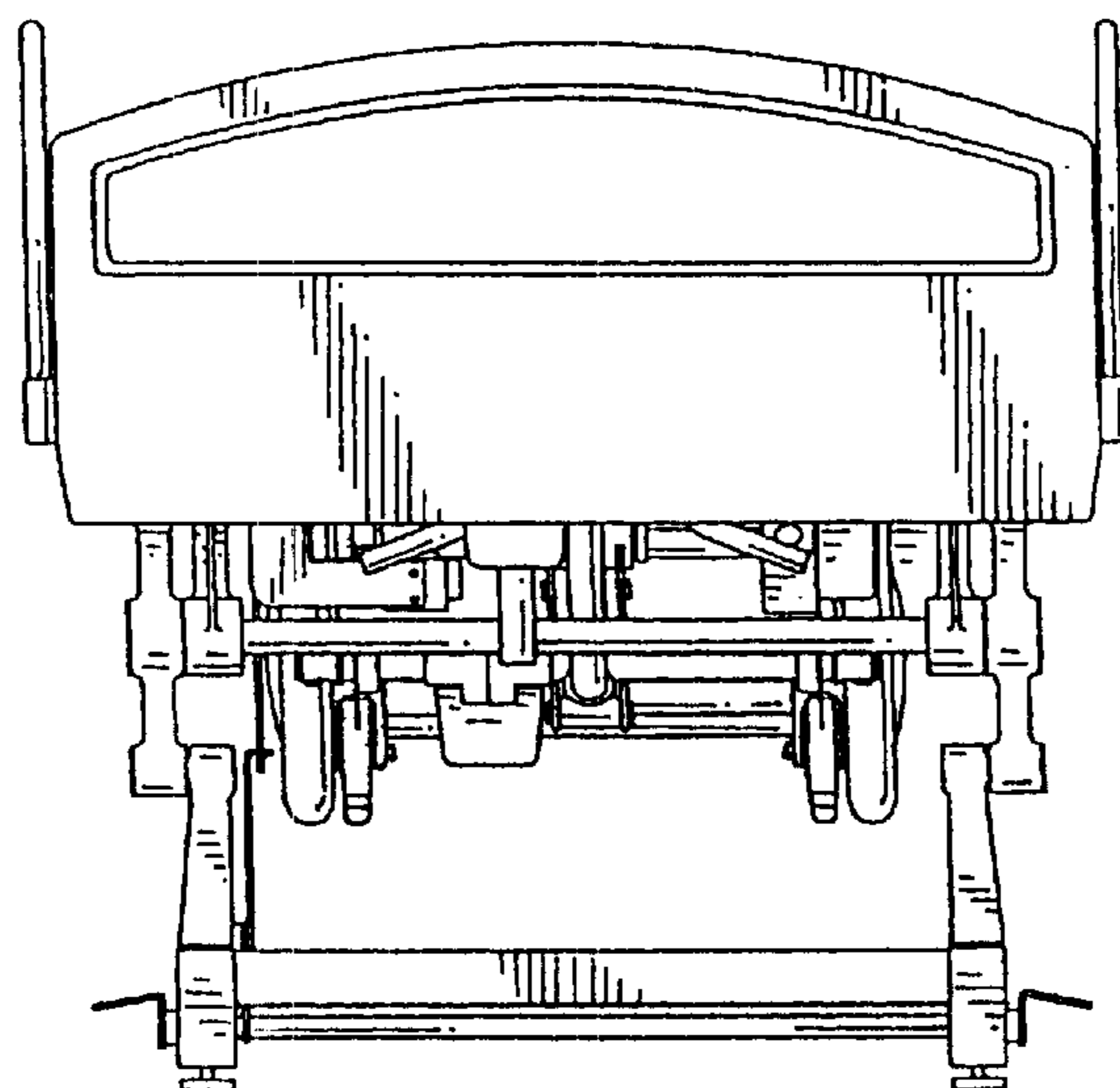


FIG. 9

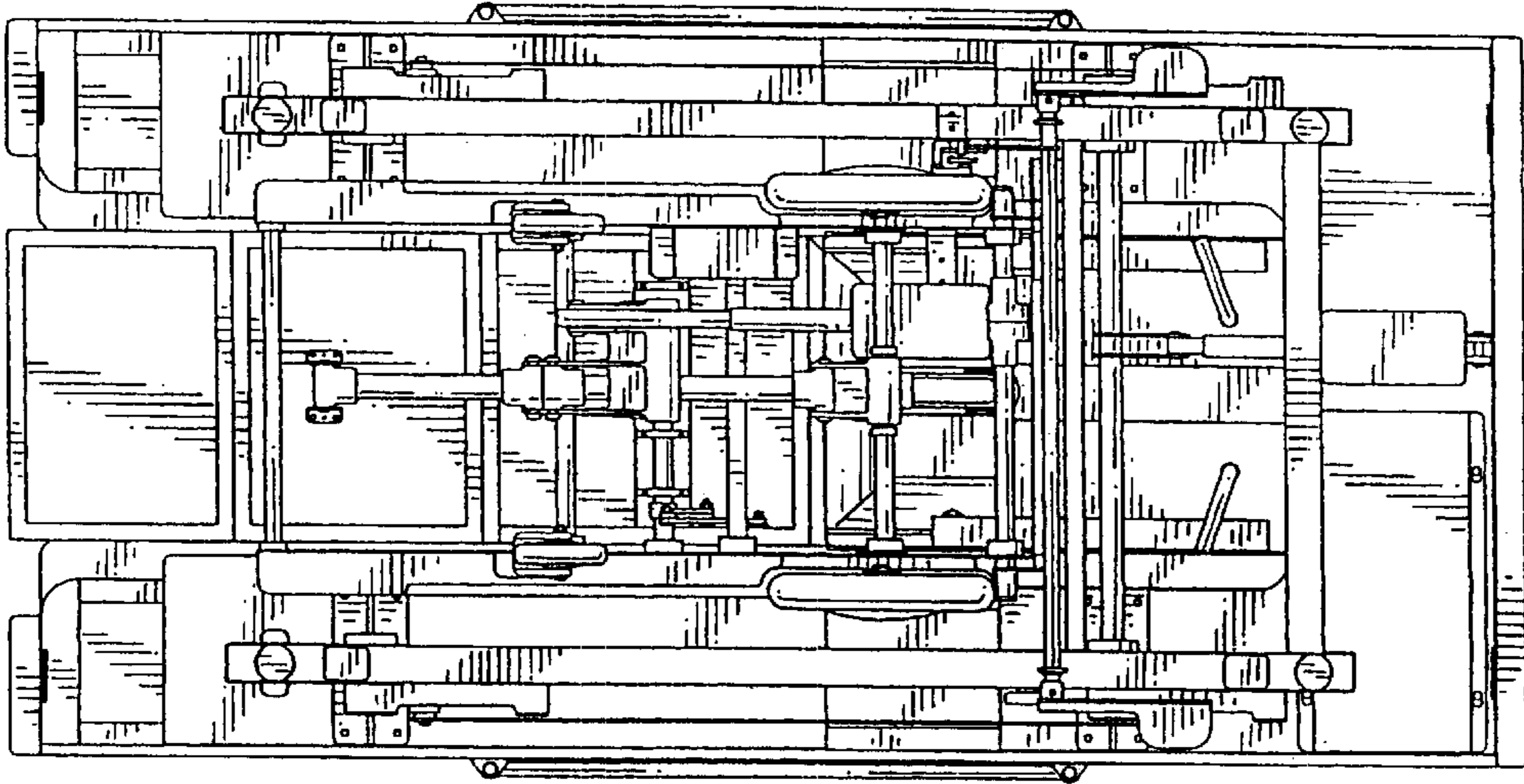


FIG. 10

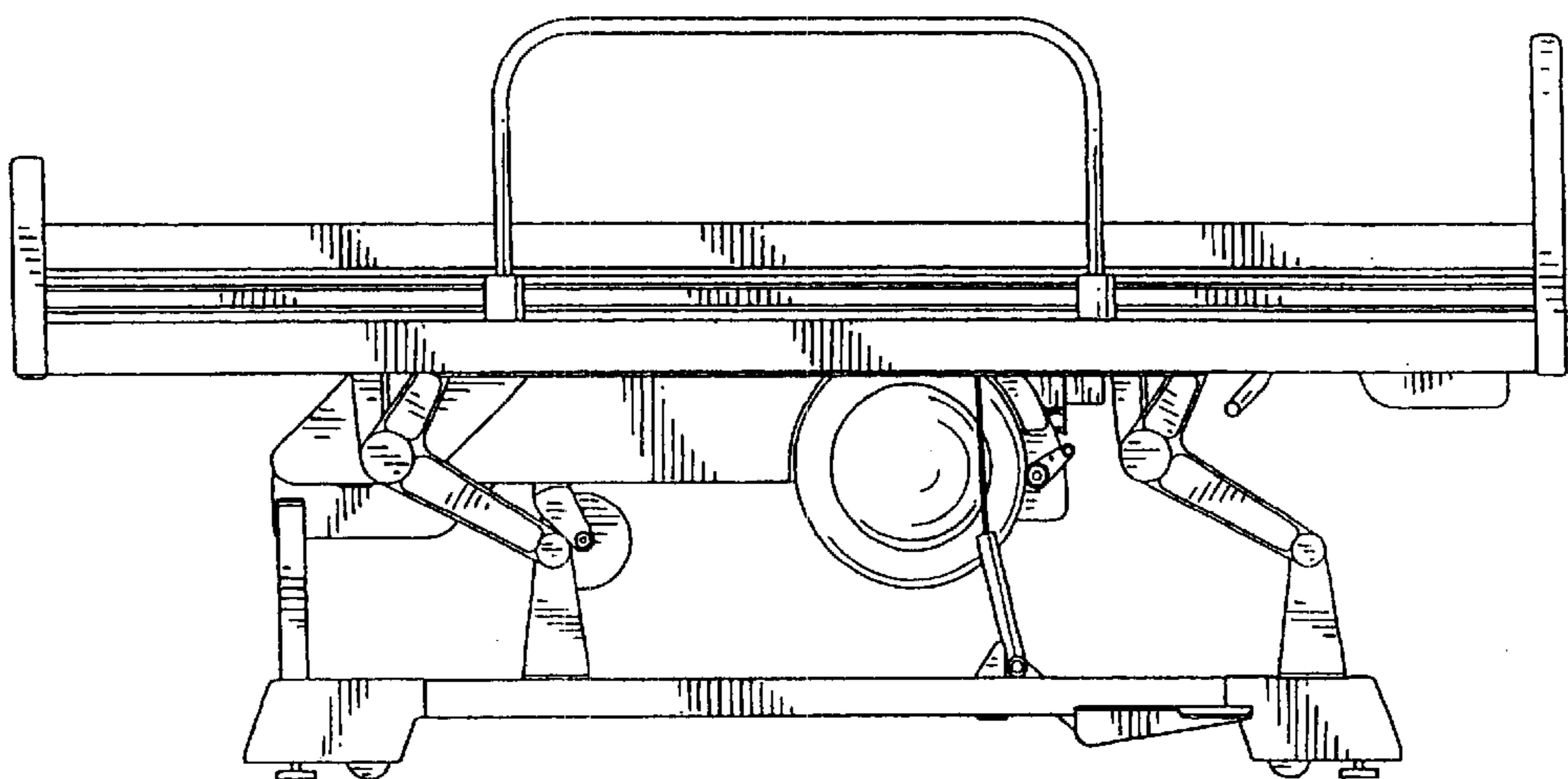


FIG. 11

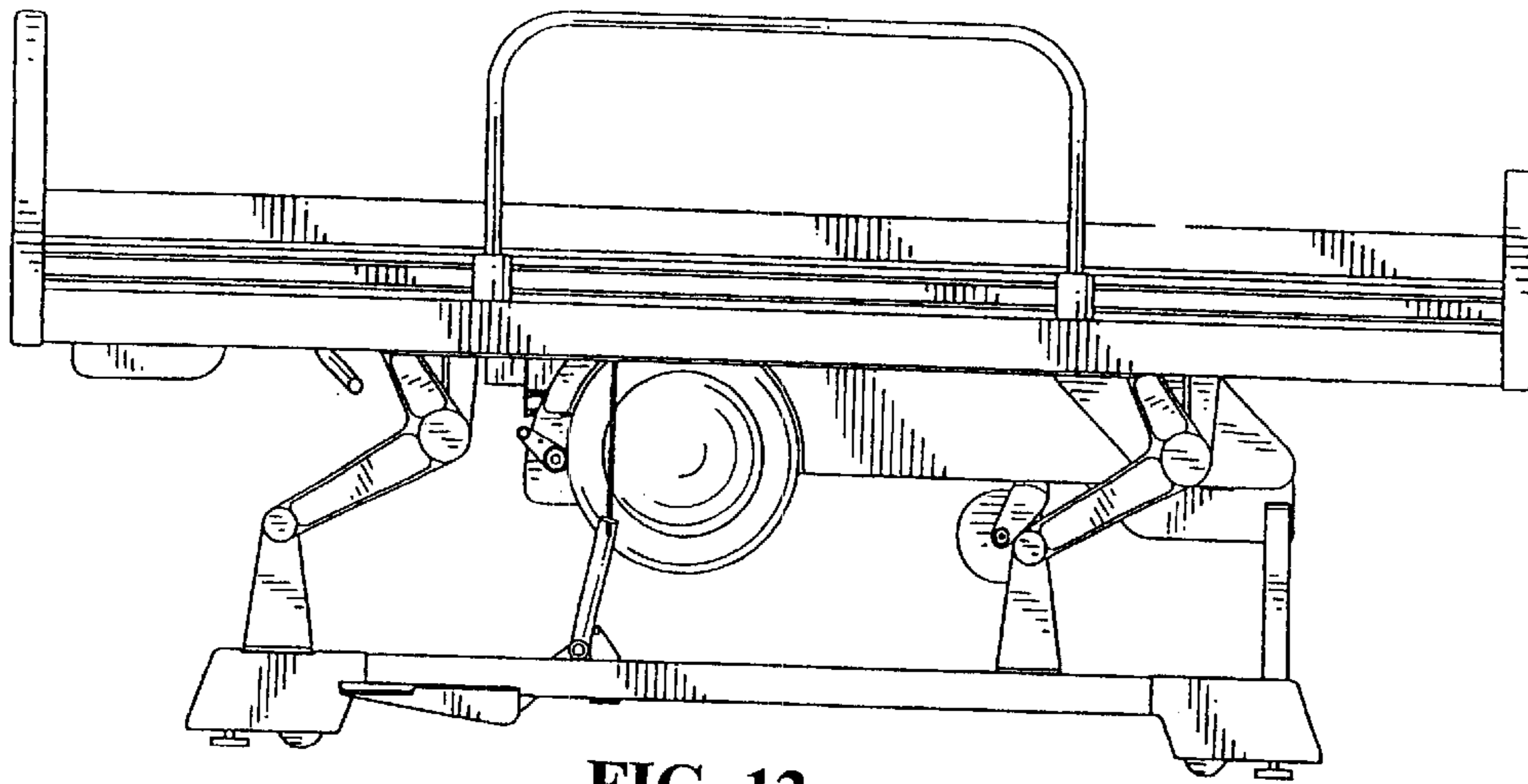


FIG. 12

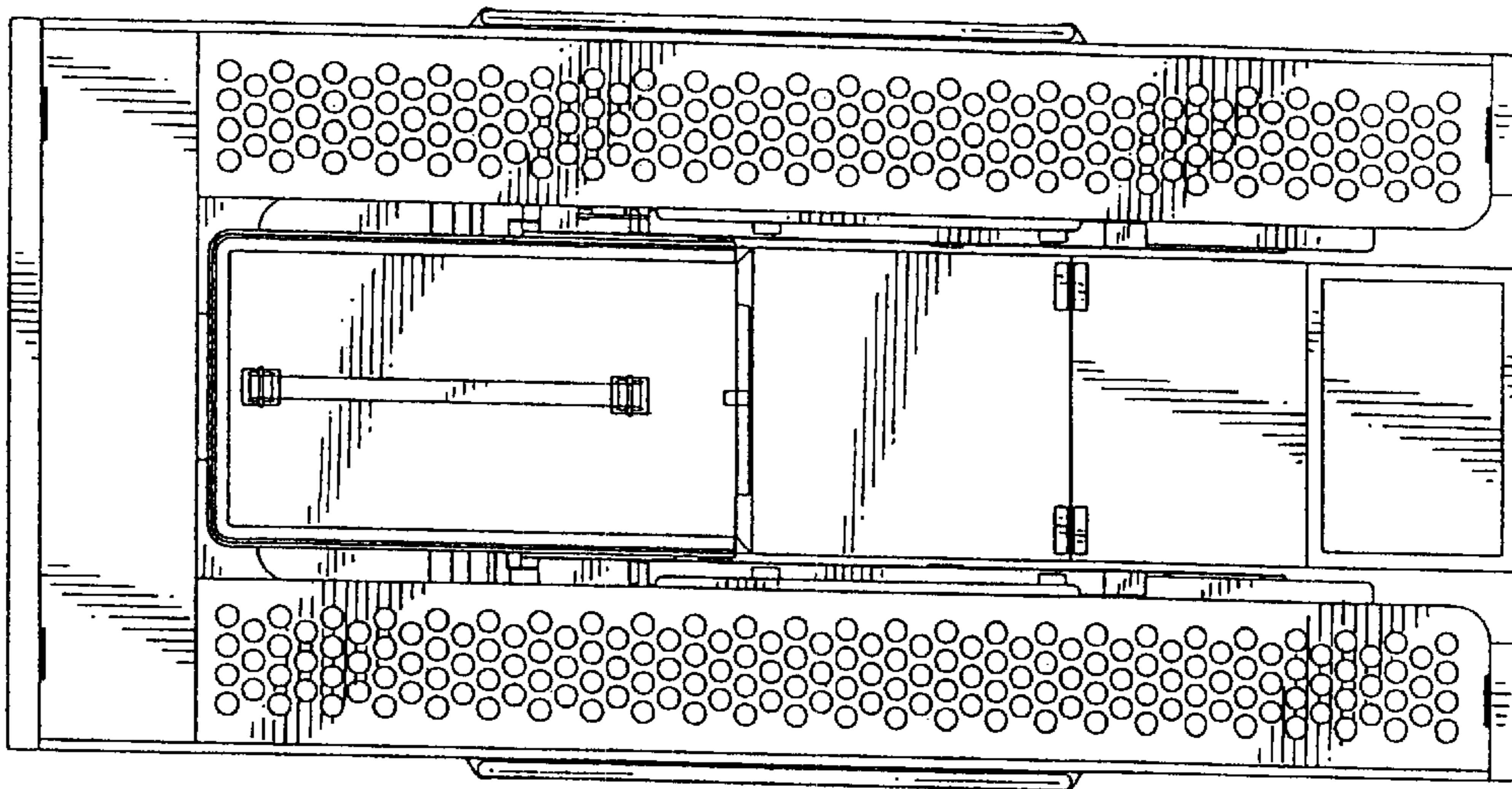


FIG. 13



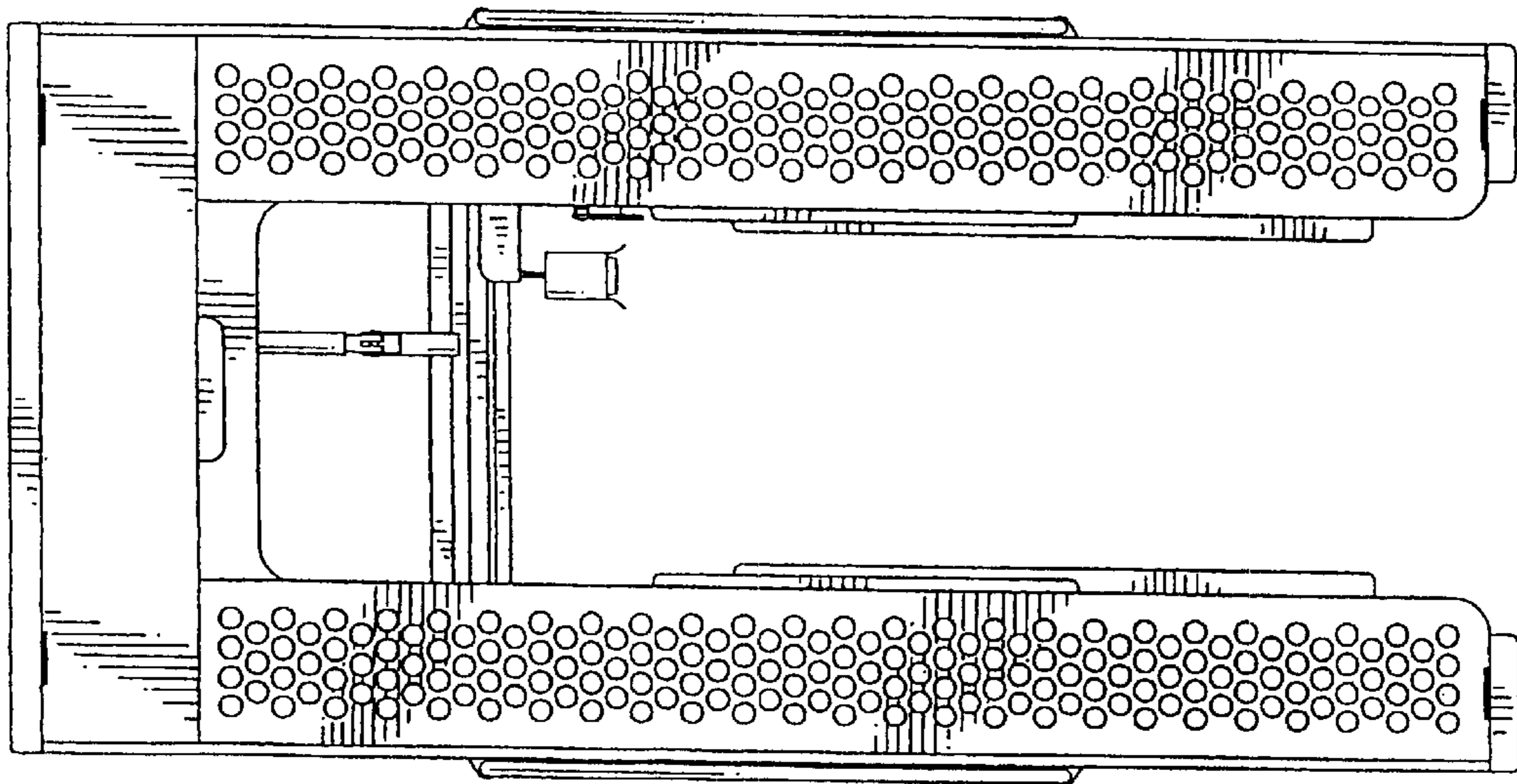


FIG. 14

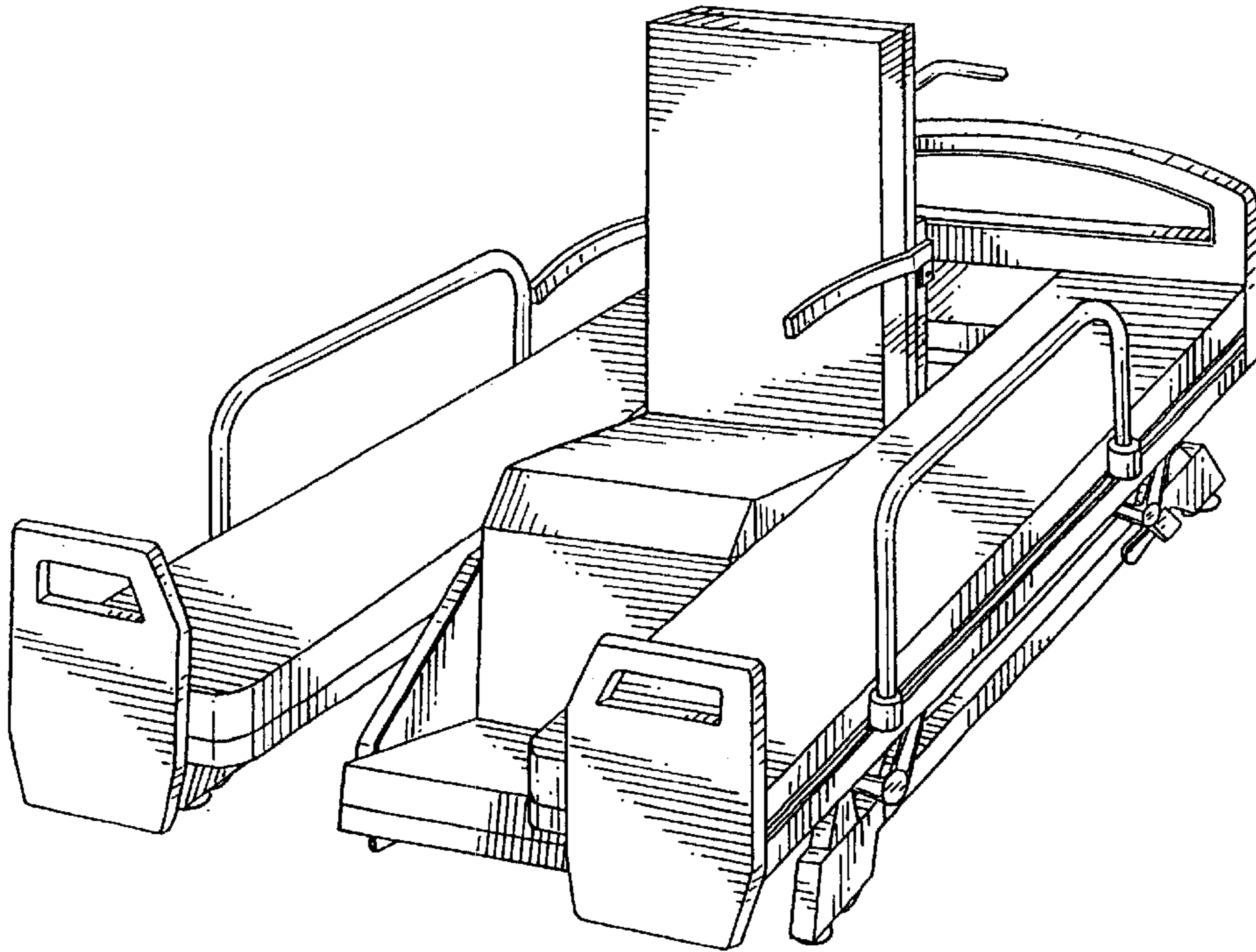


FIG. 15

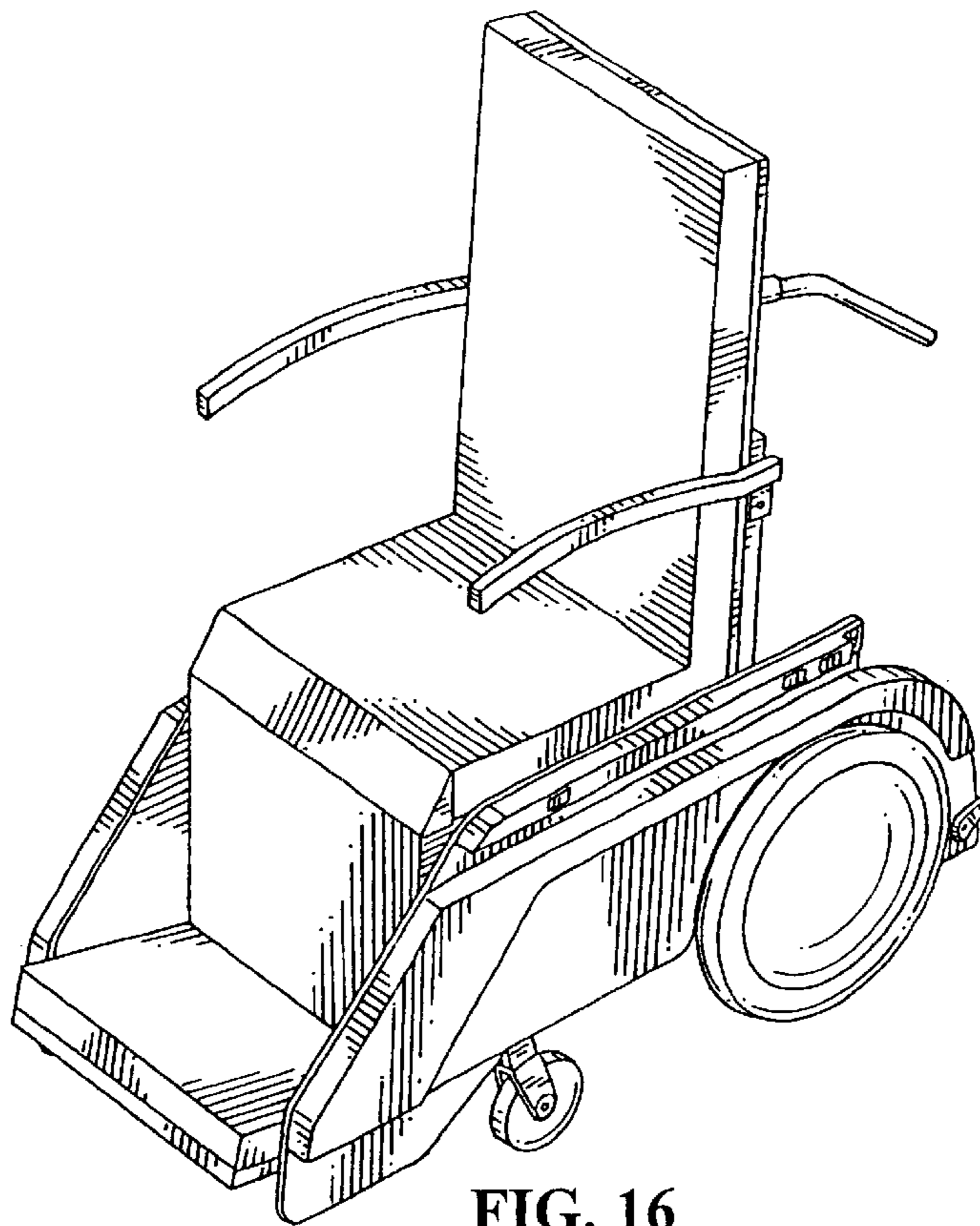


FIG. 16