



US00D464002S

(12) **United States Design Patent** (10) **Patent No.:** **US D464,002 S**
Ho (45) **Date of Patent:** **** Oct. 8, 2002**

(54) **SCOOTER**

D441,323 S * 5/2001 Cheng D12/111

(76) **Inventor:** **Chien-Chang Ho**, No. 16-2, 35th Road,
Taichung Industrial Zone, Taichung
(TW)

* cited by examiner

Primary Examiner—Alan P. Douglas

Assistant Examiner—Linda Brooks

(**) **Term:** **14 Years**

(74) *Attorney, Agent, or Firm*—Alan Kamrath; Rider,
Bennett, Egan & Arundel, LLP

(21) **Appl. No.:** **29/153,136**

(57) **CLAIM**

(22) **Filed:** **Dec. 31, 2001**

The ornamental design for a scooter, as shown and
described.

(51) **LOC (7) Cl.** **12-11**

DESCRIPTION

(52) **U.S. Cl.** **D12/110**

(58) **Field of Search** D12/110, 111;
D21/423; 180/219–223, 205–207; 280/281.1,
261, 288.1–288.3

FIG. 1 is a perspective view of a scooter showing my new
design;

FIG. 2 is a left elevational view thereof;

FIG. 3 is a right elevational view thereof;

FIG. 4 is a front elevational view thereof;

FIG. 5 is a rear plan view thereof; and

FIG. 6 is top plan view thereof; and,

FIG. 7 is bottom plan view thereof.

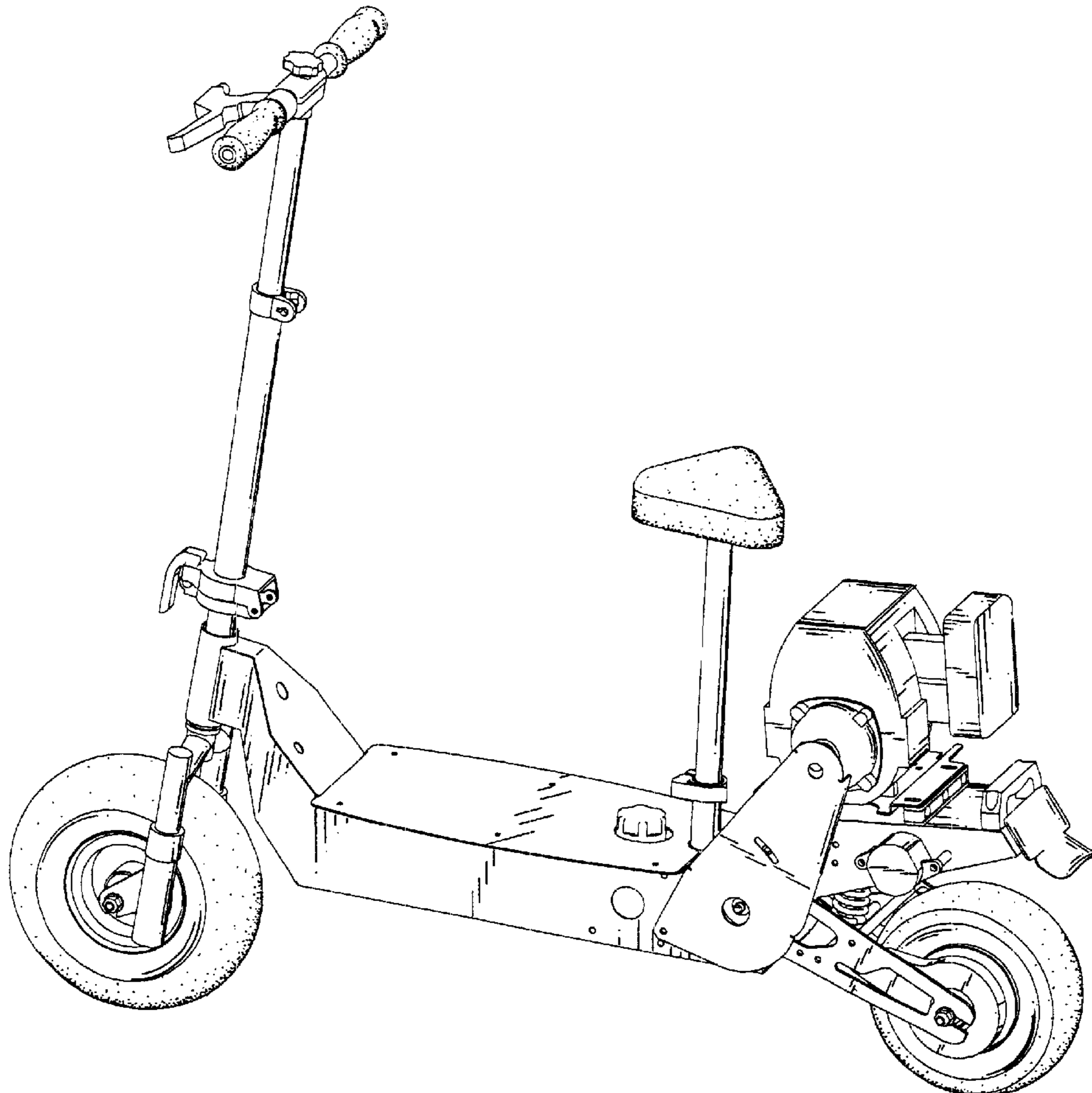
(56) **References Cited**

U.S. PATENT DOCUMENTS

1,872,142 A * 8/1932 Holtzman 280/261

D138,470 S * 8/1944 Erickson D12/110

1 Claim, 3 Drawing Sheets



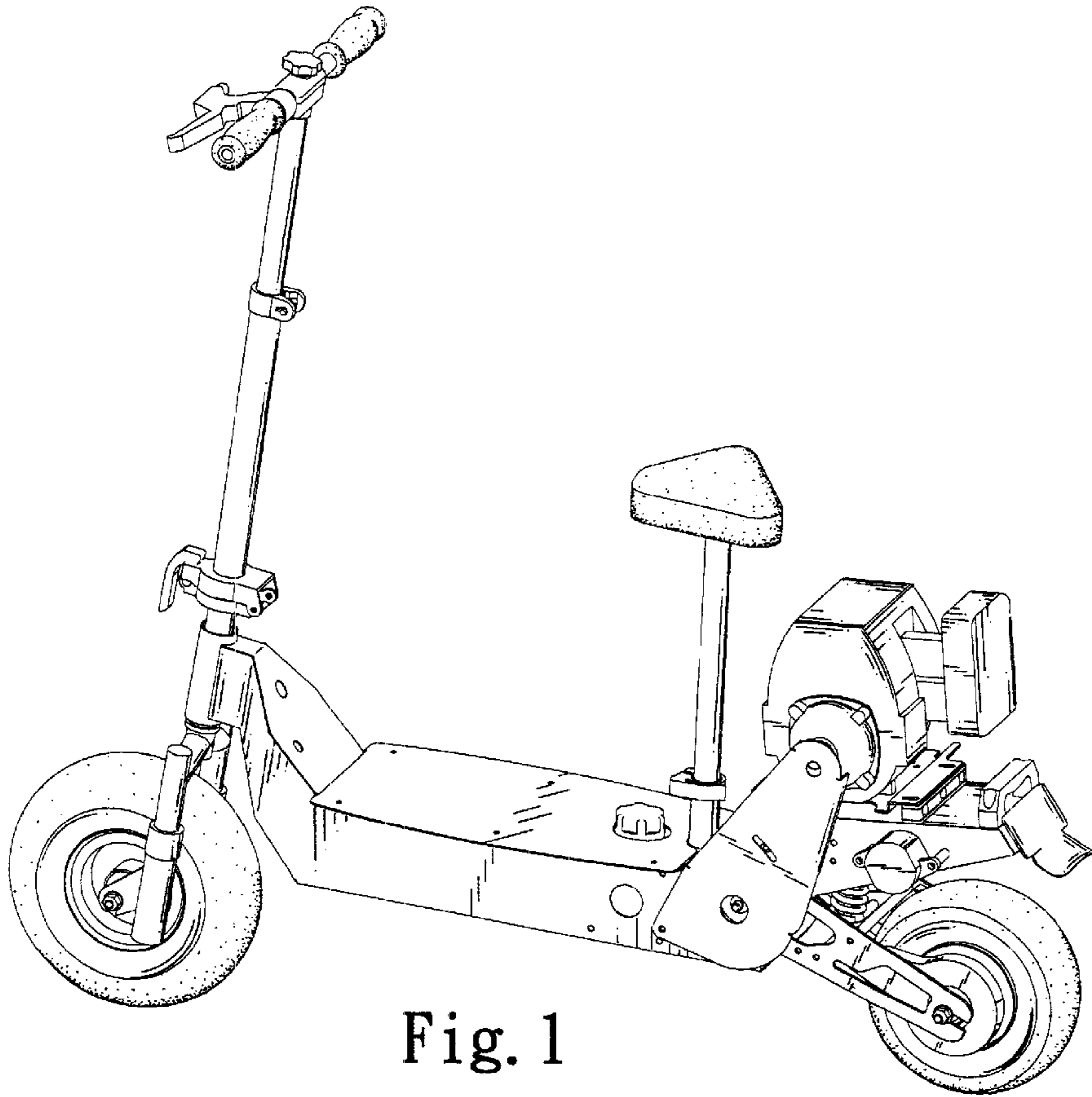


Fig. 1

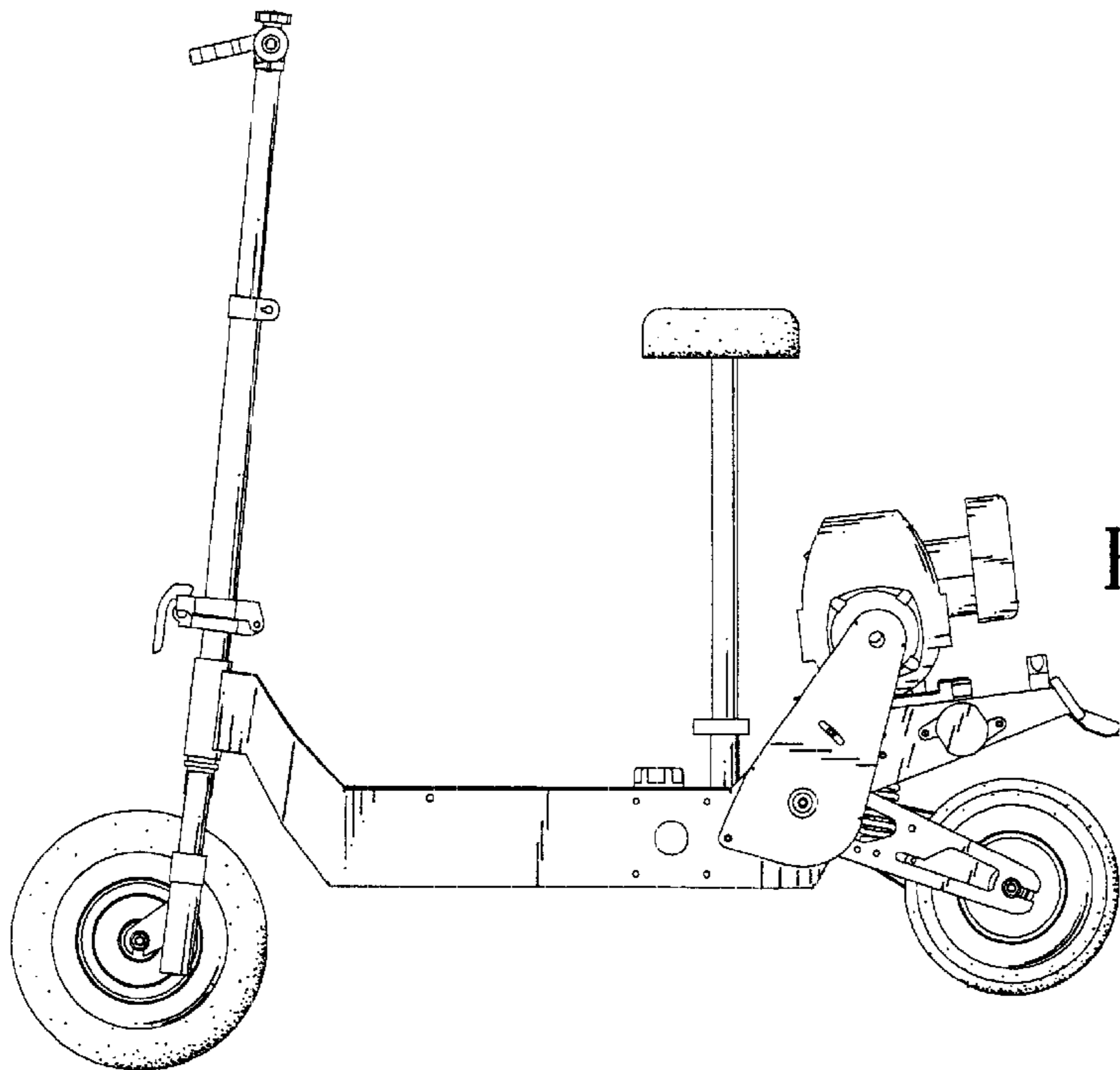


Fig. 2

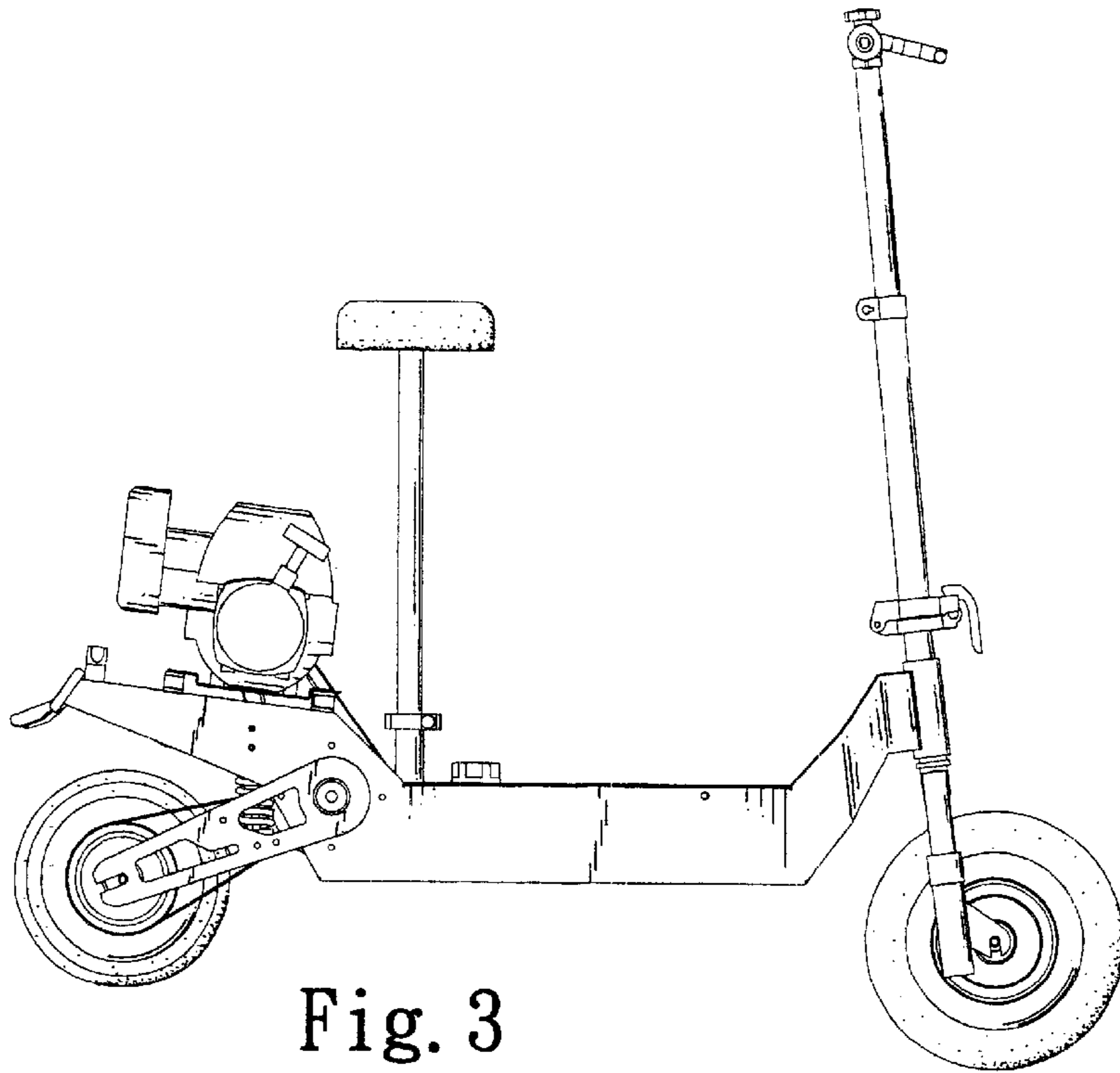


Fig. 3

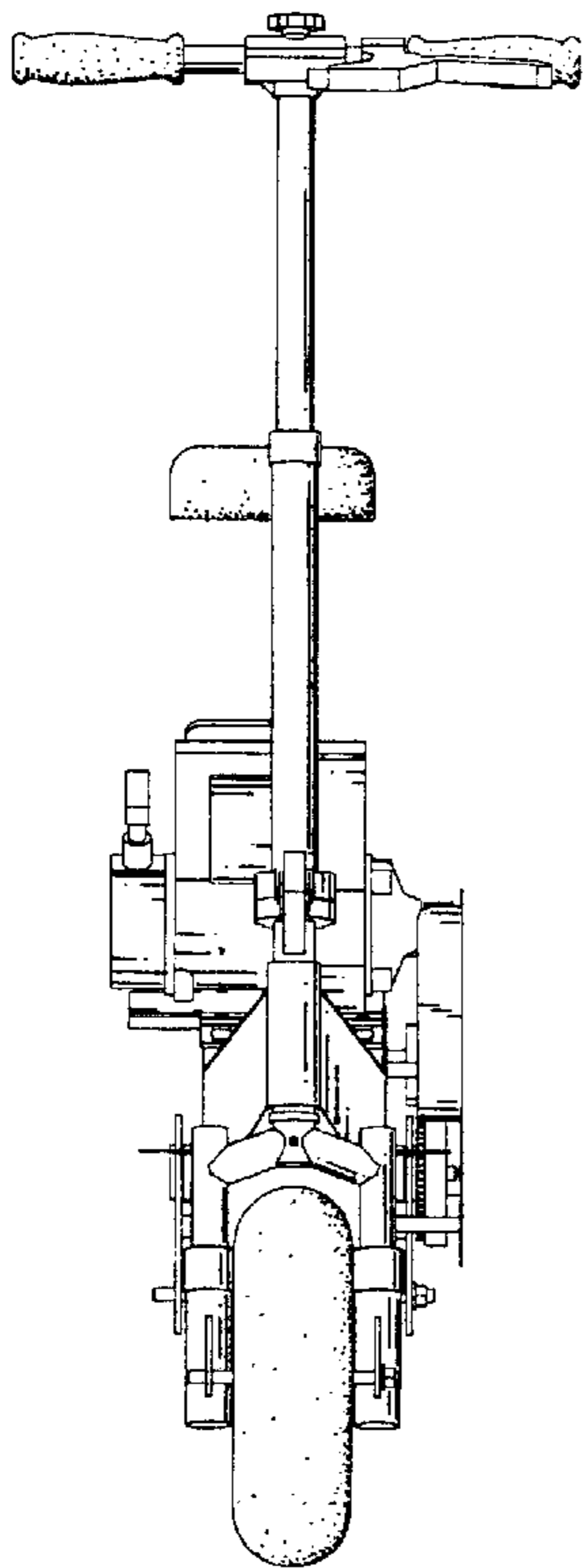


Fig. 4

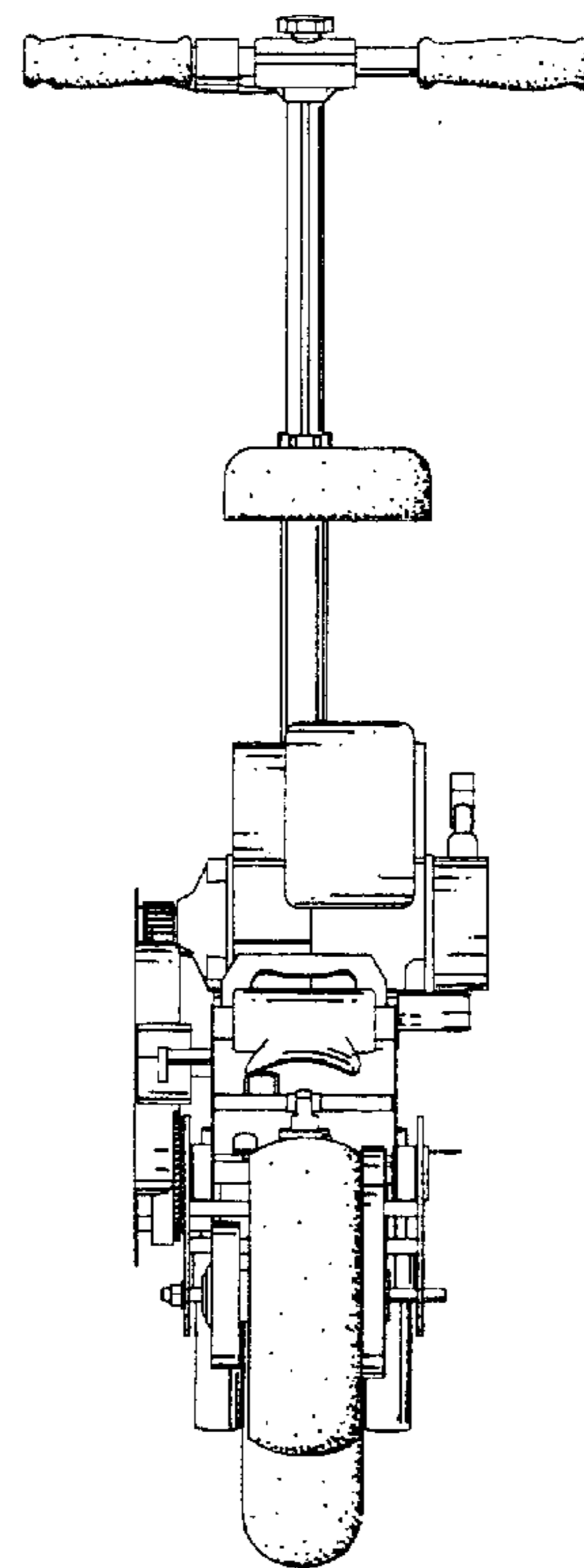


Fig. 5

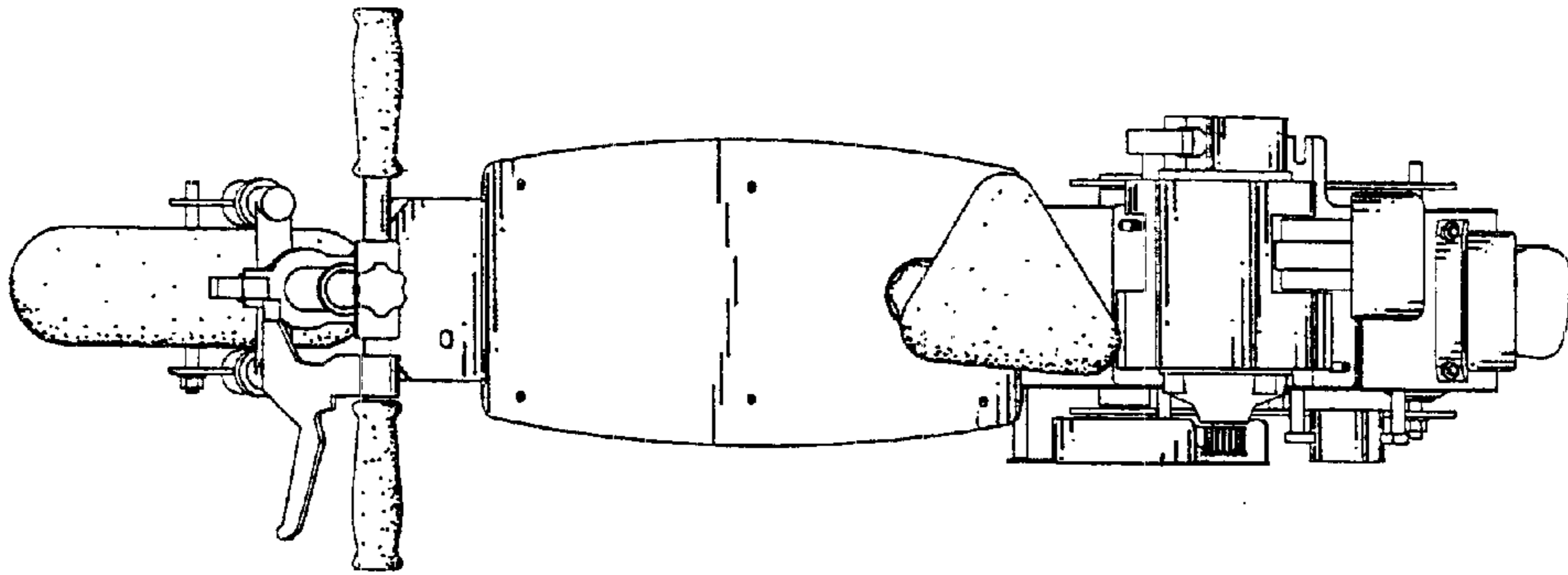


Fig. 6

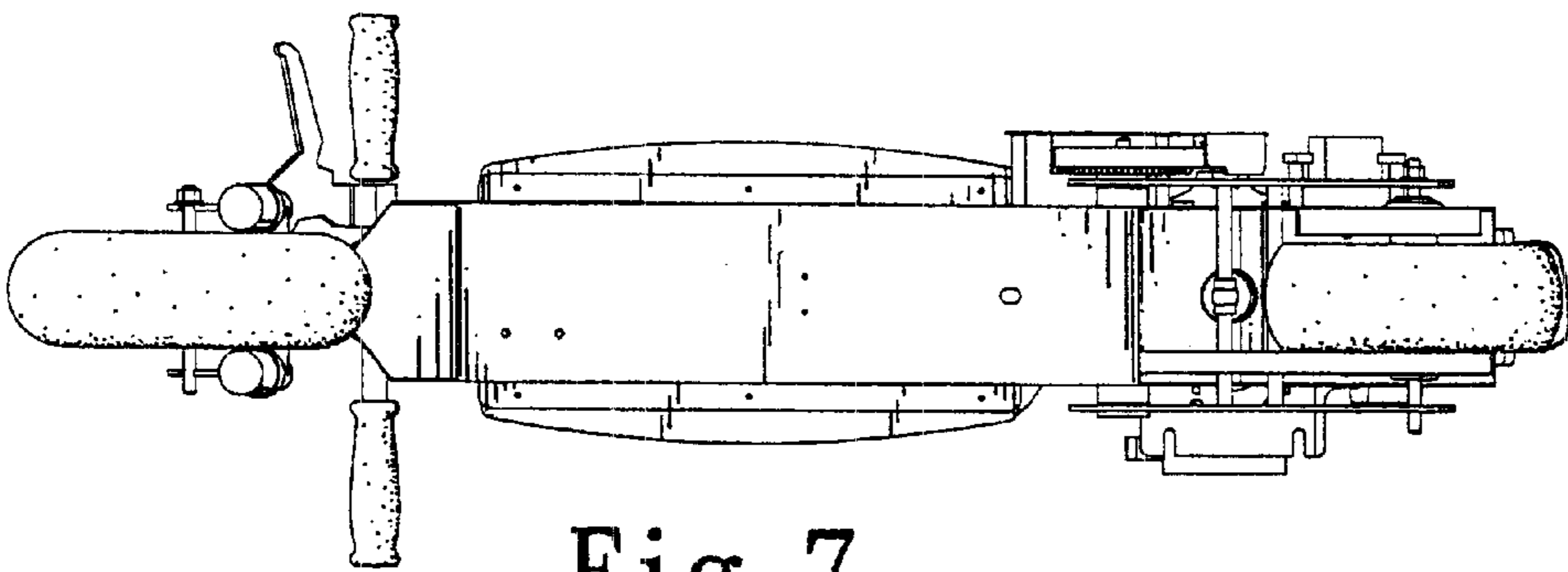


Fig. 7