



US00D463999S

(12) **United States Design Patent**
Beck et al.

(10) **Patent No.:** **US D463,999 S**
(45) **Date of Patent:** **** Oct. 8, 2002**

(54) **REMOVABLE TRUNK FOR A GOLF CAR**

(76) Inventors: **Richard W. Beck**, 1137 Barnswood Loop, Lincoln, CA (US) 95648; **Judy A Beck**, 1137 Barnswood Loop, Lincoln, CA (US) 95648

(**) Term: **14 Years**

(21) Appl. No.: **29/150,499**

(22) Filed: **Nov. 20, 2001**

(51) **LOC (7) Cl.** **12-02**

(52) **U.S. Cl.** **D12/16; D12/406**

(58) **Field of Search** D12/1, 16, 400, D12/406, 412-414.1; 296/37.1-37.8; 280/DIG. 5, 769, 783; D3/273, 276, 279, 287-289, 902; 224/273-275, 323, 328, 527, 572, 488-498, 522-526, 400-401, 585

(56) **References Cited**

U.S. PATENT DOCUMENTS

3,202,332 A	8/1965	Walker	
3,228,576 A	1/1966	Gaukel	
D236,456 S	8/1975	Pelton	
D238,352 S	* 1/1976	Dissman et al. D12/406
4,671,439 A	6/1987	Groeneweg	
4,844,309 A	7/1989	Aubin	
5,056,695 A	10/1991	Giblet	
D327,044 S	* 6/1992	Smith et al. D12/406
5,213,364 A	5/1993	Theckston	
5,314,101 A	5/1994	White	
5,718,301 A	2/1998	Williams	

5,788,070 A	8/1998	Banker	
D420,321 S	* 2/2000	McCoy et al. D12/413
D432,363 S	10/2000	Bassford	
D433,988 S	11/2000	Beebe	
6,183,029 B1	2/2001	Deaton	
6,209,941 B1	4/2001	Cross	
D446,495 S	8/2001	Kolpin	
D446,496 S	* 8/2001	Kolpin D12/406
D447,460 S	9/2001	Snook	

* cited by examiner

Primary Examiner—Stacia Cadmus

(74) *Attorney, Agent, or Firm*—Heisler & Associates

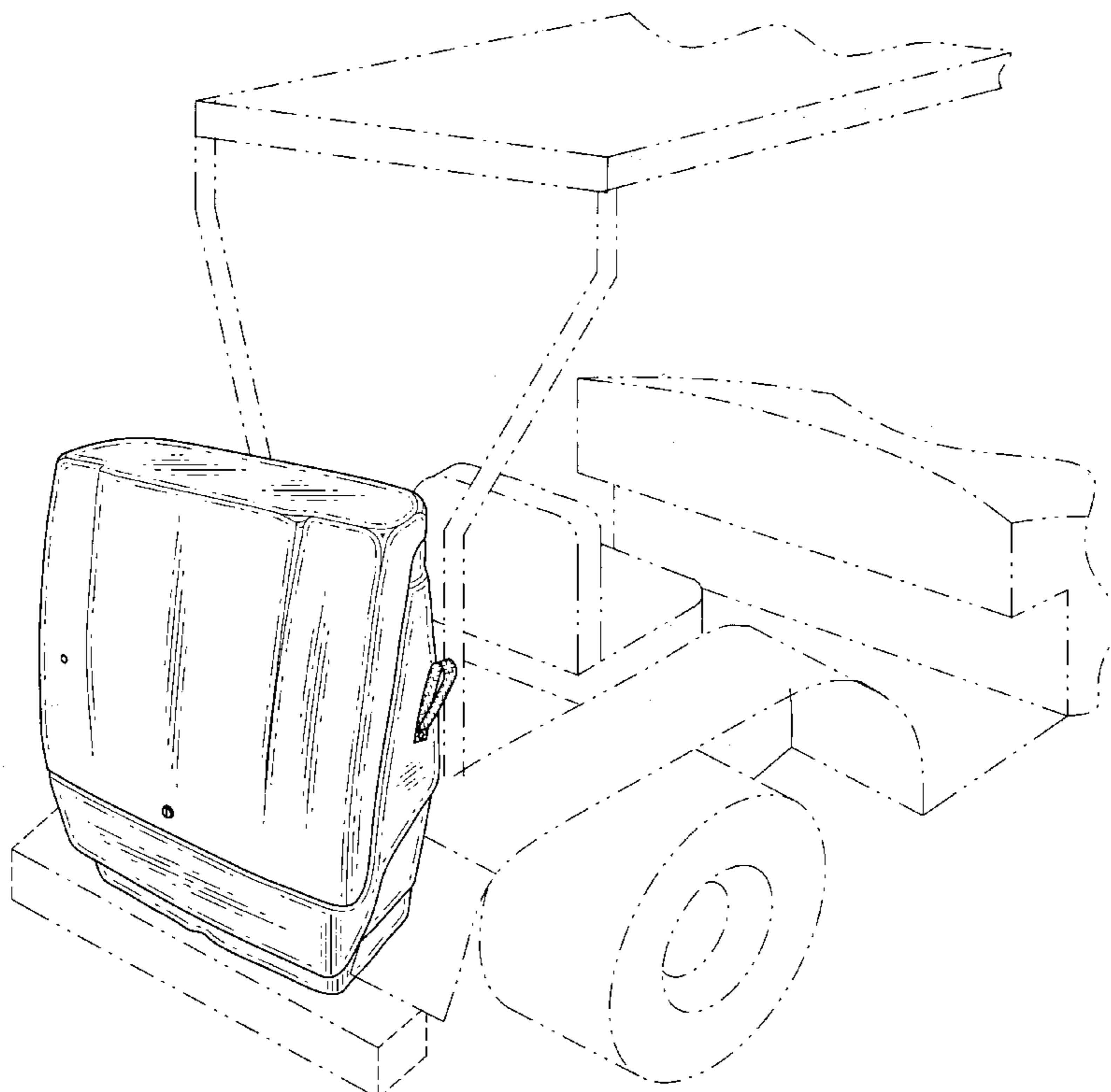
(57) **CLAIM**

The ornamental design for a removable trunk for a golf car, as shown and described.

DESCRIPTION

FIG. 1 is a perspective view of a removable trunk for a golf car in a closed position;
FIG. 2 is a top plan view of the invention;
FIG. 3 is a front elevation view of the invention;
FIG. 4 is a right side view of the invention, the left side view being a mirror image;
FIG. 5 is a rear elevation view of the invention;
FIG. 6 is a bottom plan view of the invention; and,
FIG. 7 is a perspective view of the invention in an open position.
The broken lines in FIGS. 1, 4 and 7 are for purposes of illustration only and form no part of the claimed design.

1 Claim, 3 Drawing Sheets



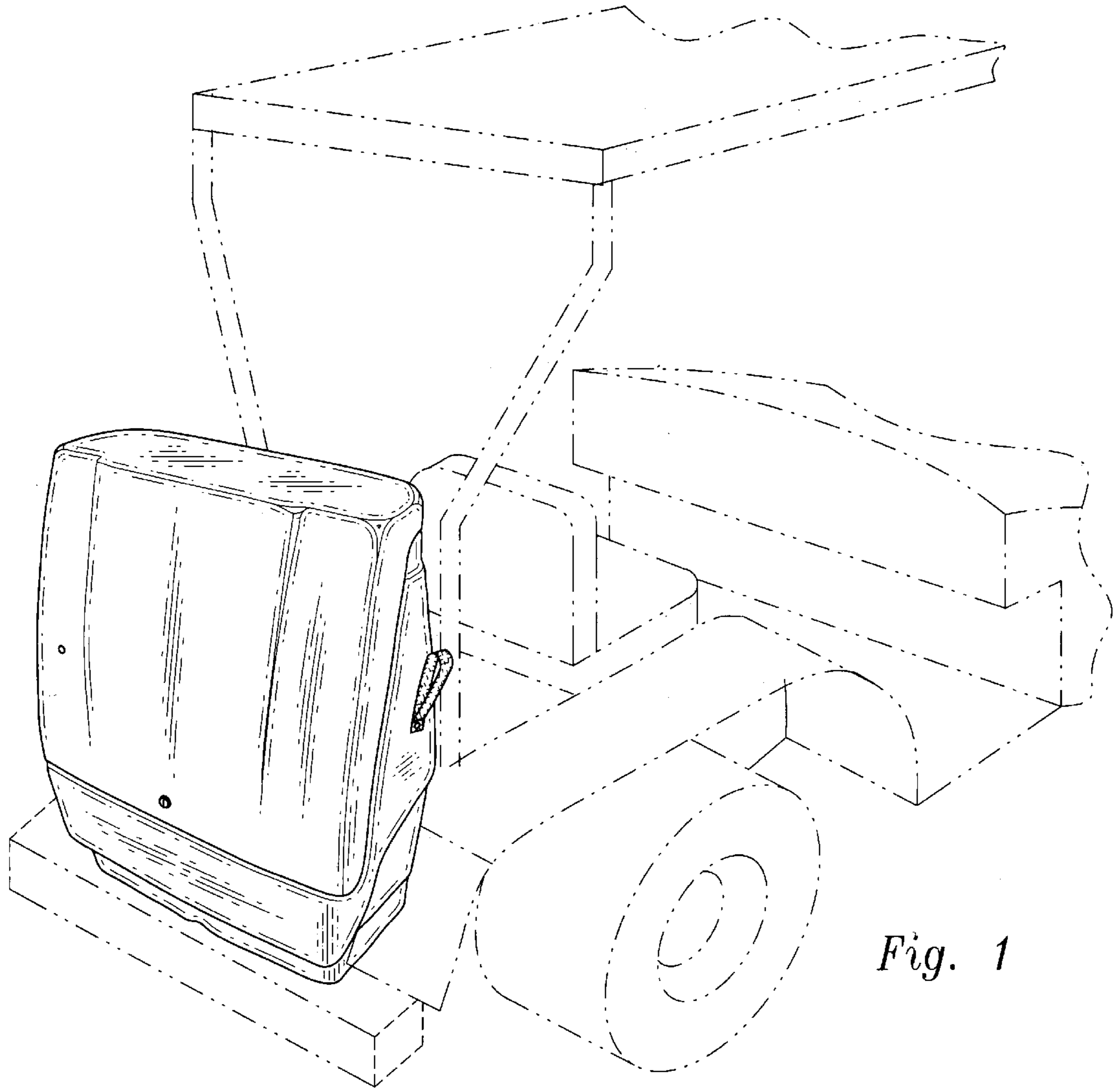


Fig. 1

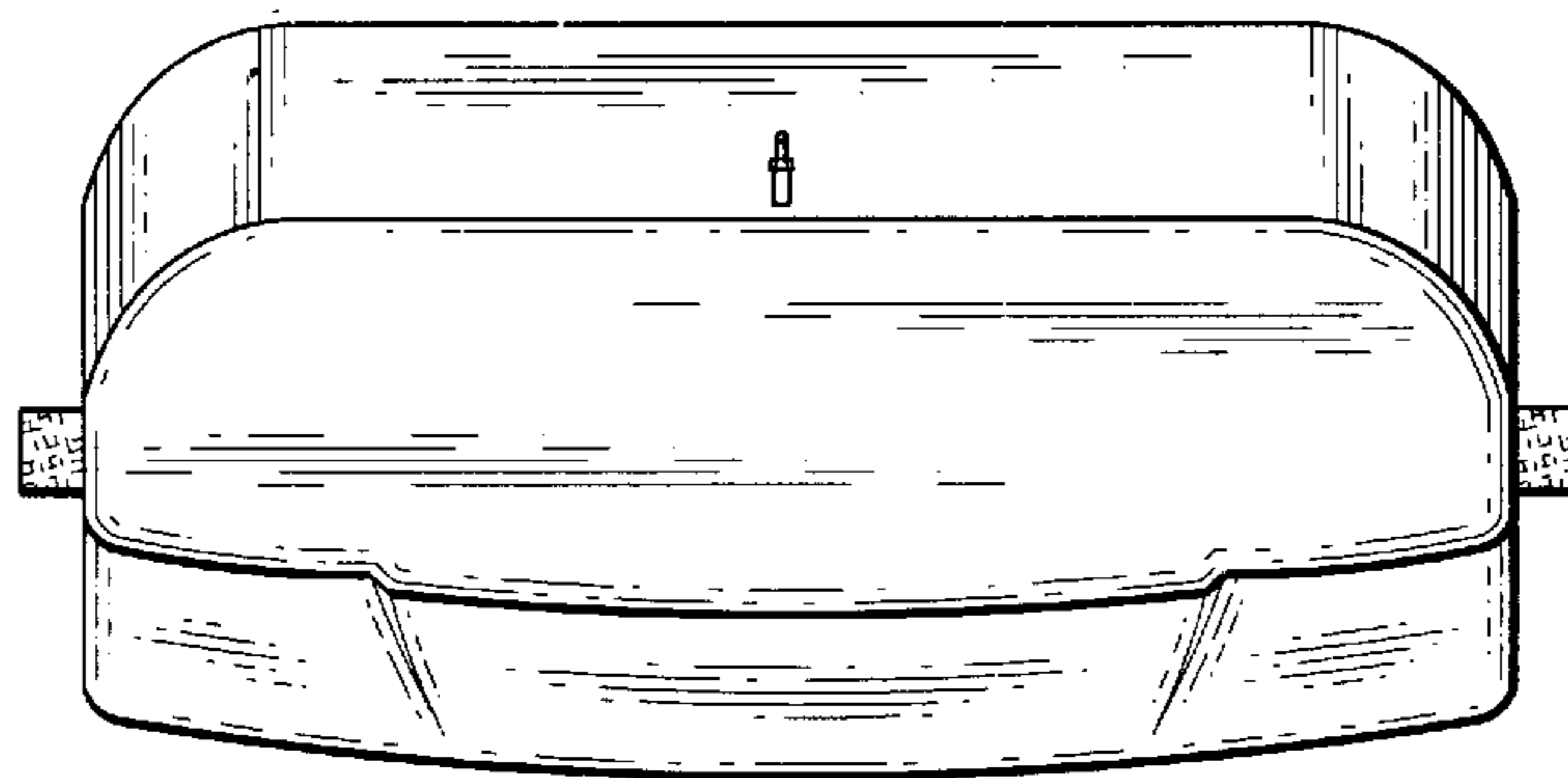


Fig. 2

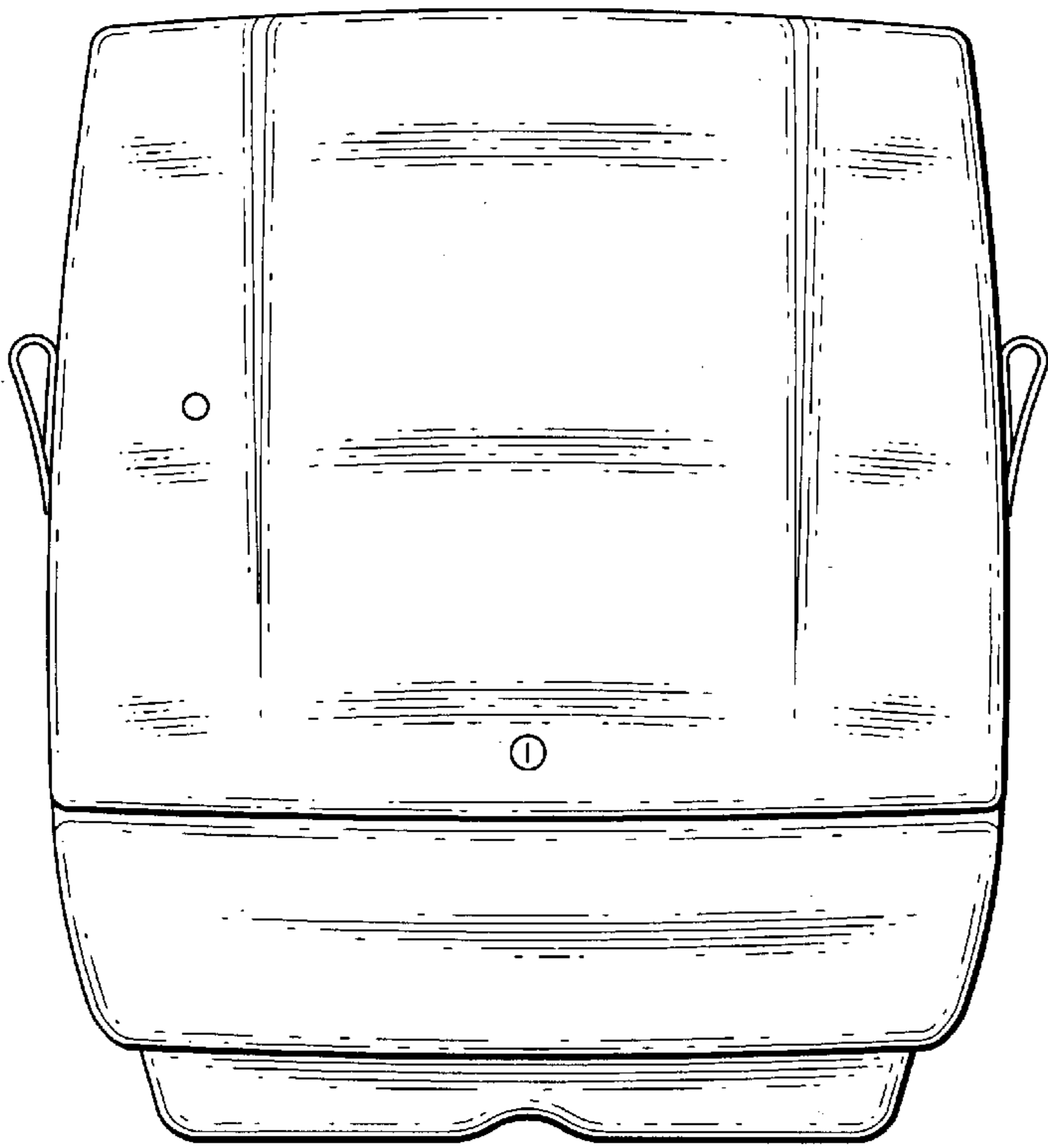


Fig. 3

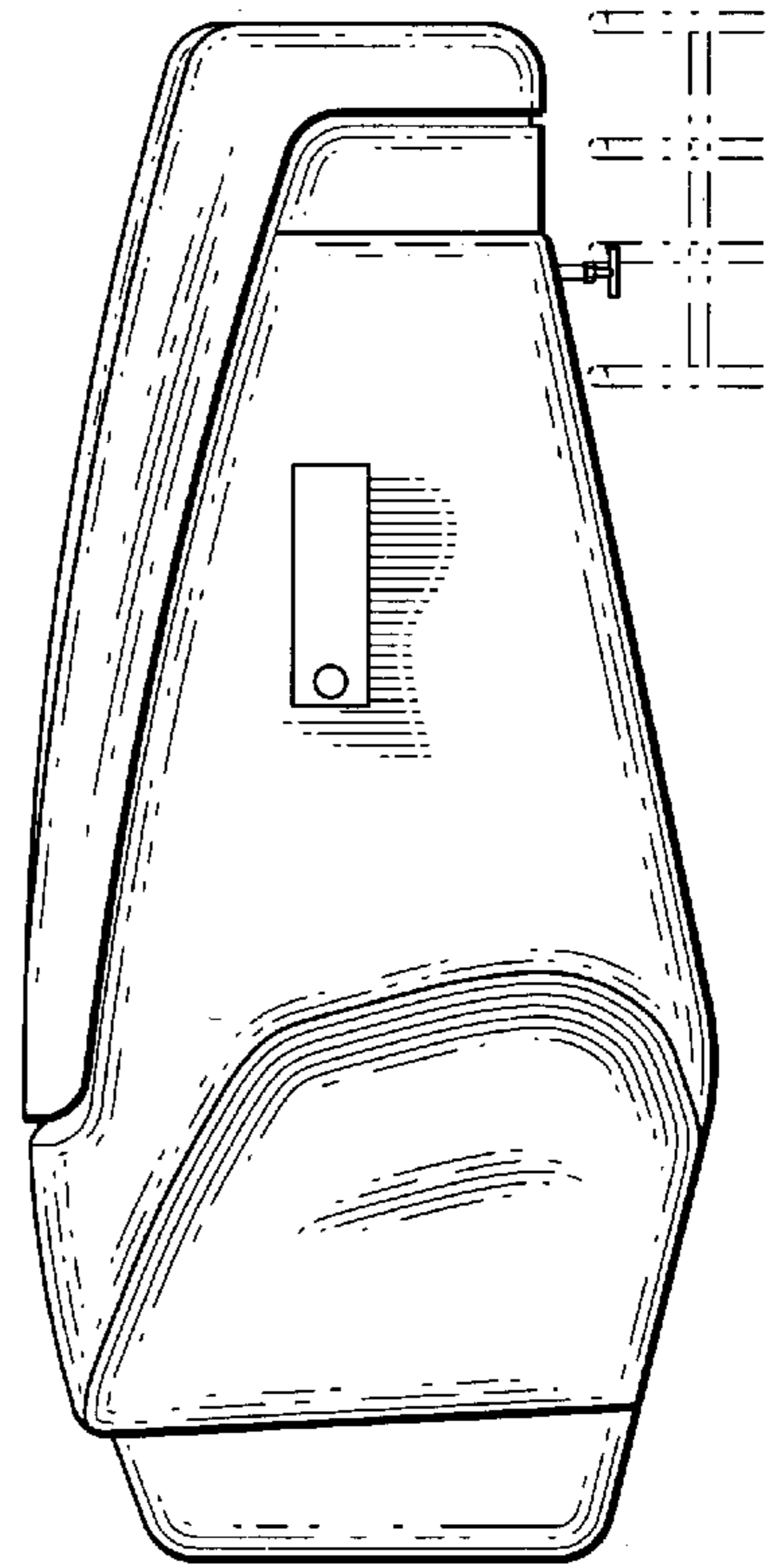


Fig. 4

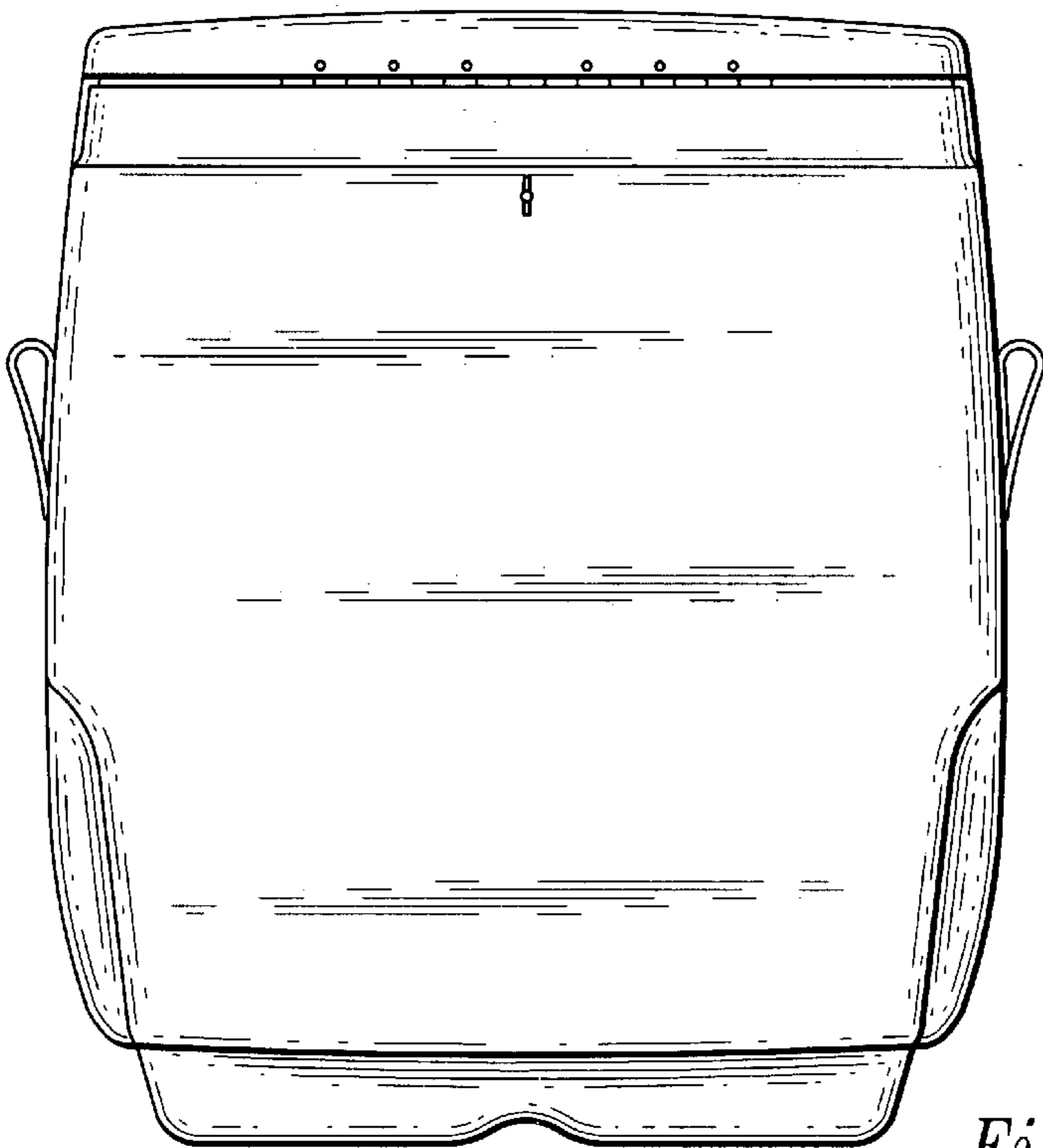


Fig. 5

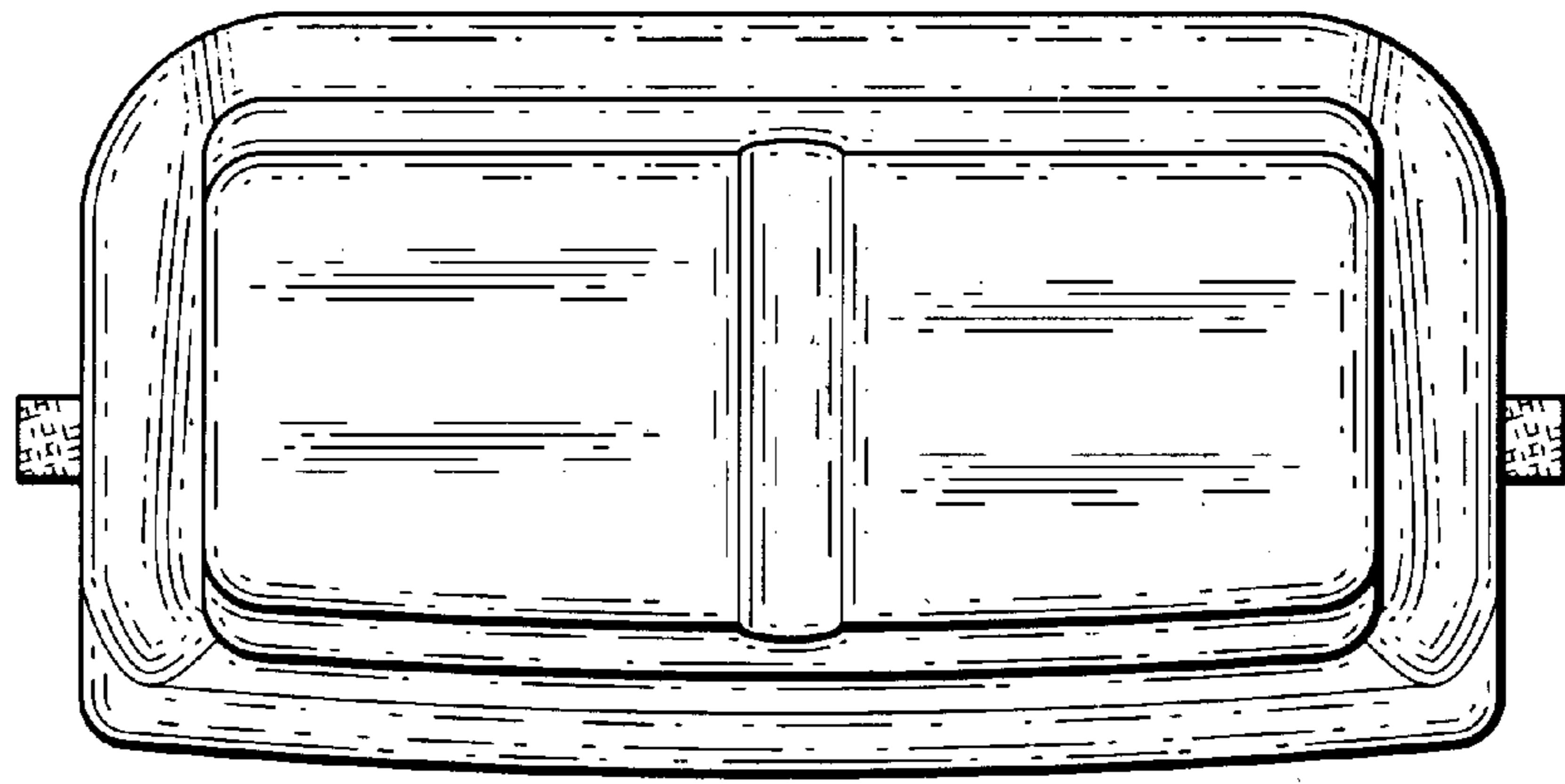


Fig. 6

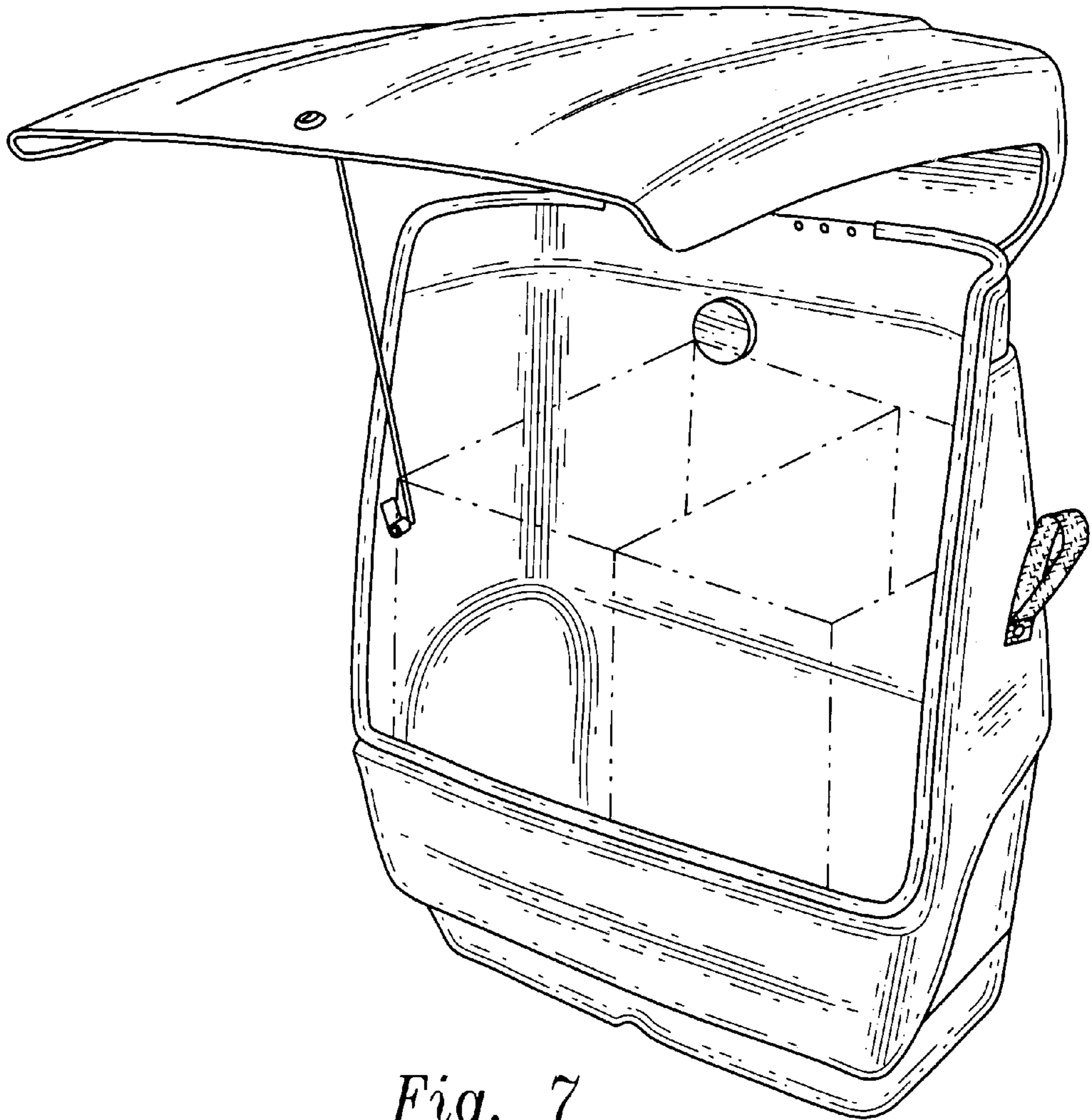


Fig. 7