



US00D463991S

(12) **United States Design Patent**
Curry et al.

(10) **Patent No.:** **US D463,991 S**

(45) **Date of Patent:** **** Oct. 8, 2002**

(54) **SIGNALING DEVICE**

Primary Examiner—Antoine Duval Davis

(75) Inventors: **William J. Curry**, Walpole, NH (US);
Jennifer Kelley, Cincinnati, OH (US)

(57) **CLAIM**

The ornamental design for a signaling device, as shown and described.

(73) Assignee: **Capticom, Inc.**, Walpole, NH (US)

(**) Term: **14 Years**

DESCRIPTION

(21) Appl. No.: **29/151,009**

FIG. 1 is a perspective view of the front of the signaling device in a vertical position.

(22) Filed: **Dec. 3, 2001**

FIG. 2 is perspective view of the front and bottom of the signaling device in a horizontal position.

(51) **LOC (7) Cl.** **10-04**

FIG. 3 is a perspective view of the back of the signaling device in a vertical position.

(52) **U.S. Cl.** **D10/104**

FIG. 4 is a top orthogonal view of the signaling device.

(58) **Field of Search** D10/104; 434/236,
434/238, 314–316; 368/107–109, 155, 226,
227, 276, 277; 340/309.15, 309.4, 309.5

FIG. 5 is a front orthogonal view of the signaling device.

FIG. 6 is a right side orthogonal view of the signaling device. Both sides are symmetrical

(56) **References Cited**

U.S. PATENT DOCUMENTS

6,351,207 B1 * 2/2002 Mik et al. 340/309.15
6,384,728 B1 * 5/2002 Kanor et al. 340/309.15 X

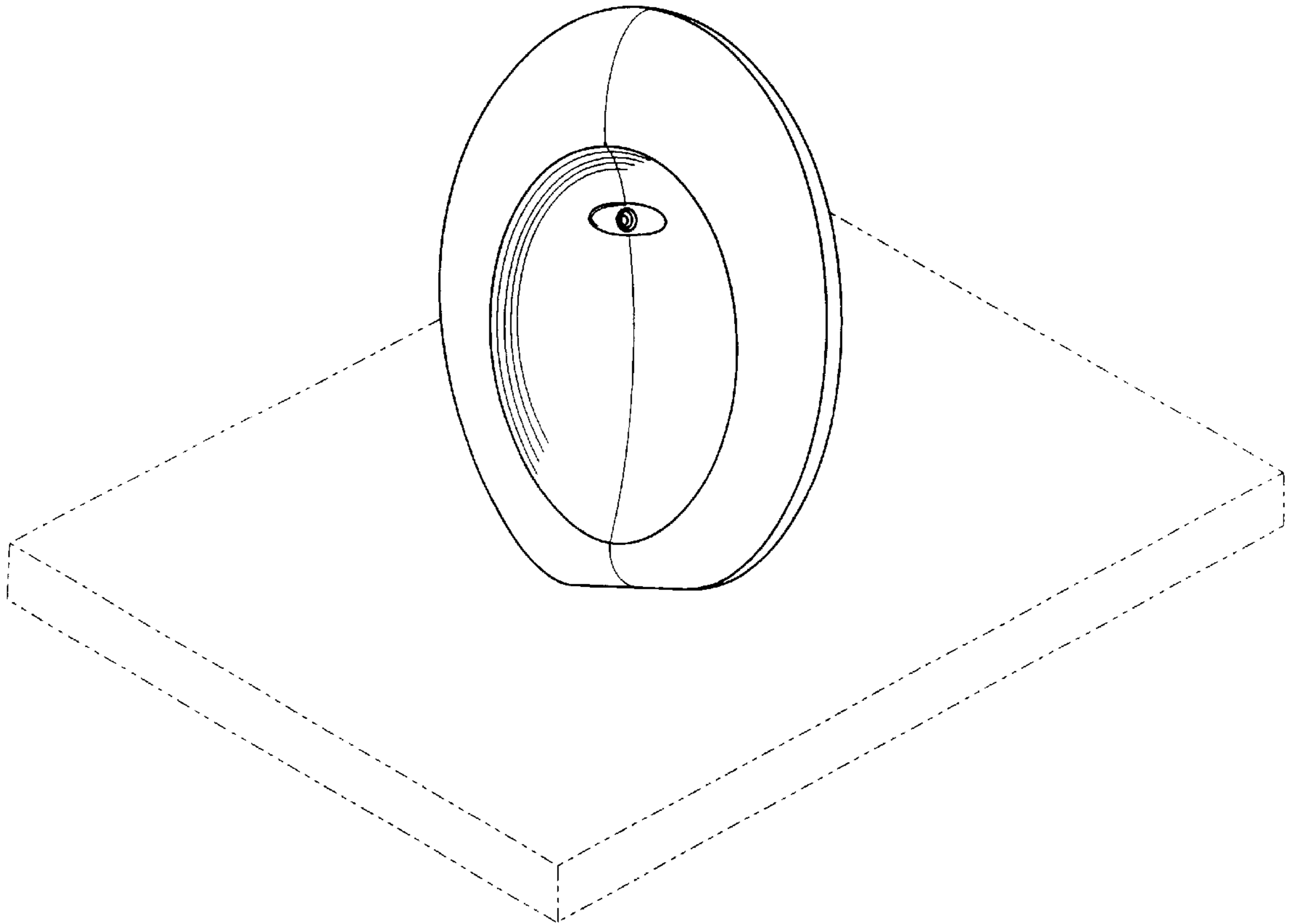
FIG. 7 is a back orthogonal view of the signaling device; and,

FIG. 8 is a bottom orthogonal view of the signaling device.

The broken line showing is for illustrative purposes only and forms no part of the claimed design.

* cited by examiner

1 Claim, 4 Drawing Sheets



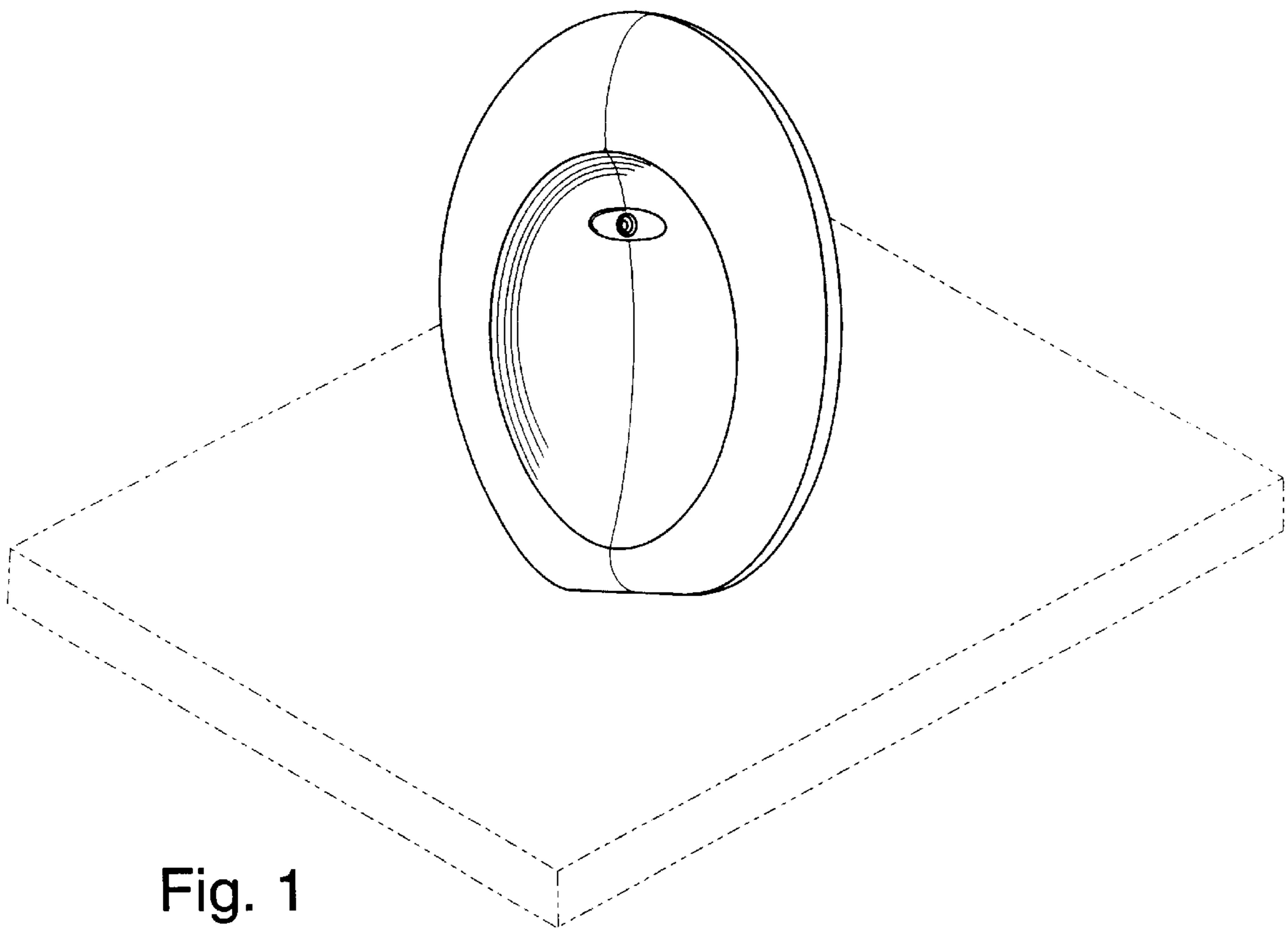


Fig. 1

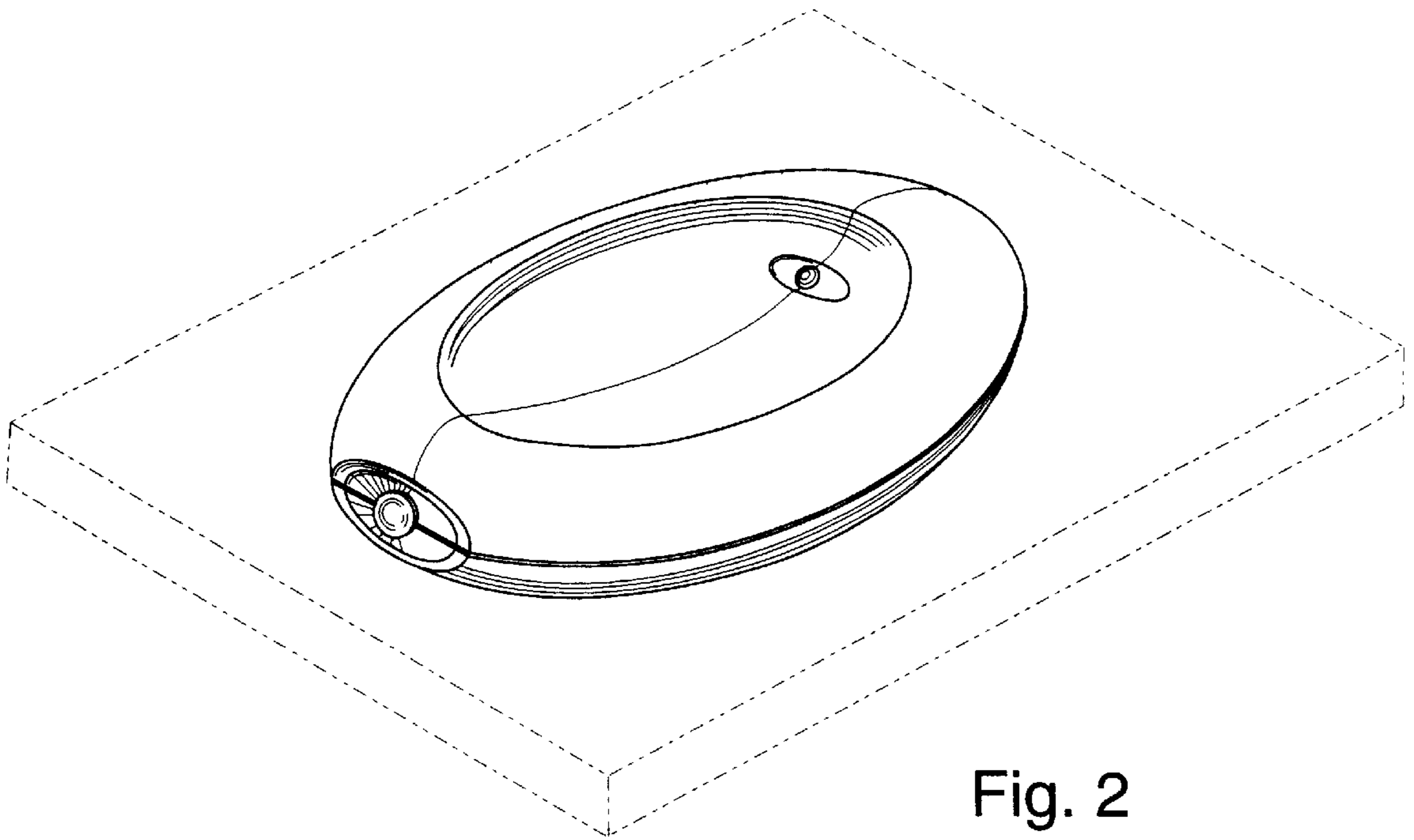


Fig. 2

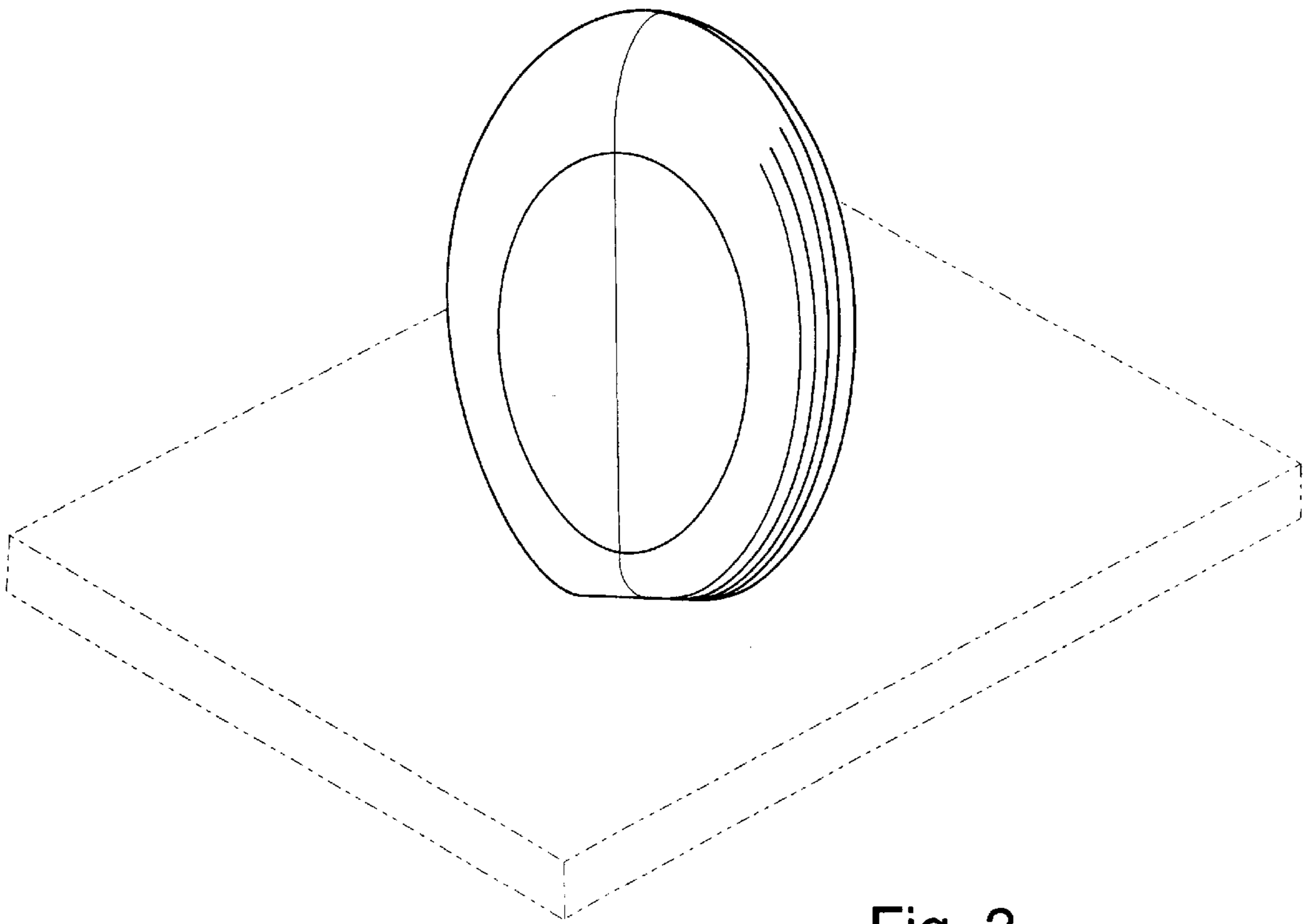


Fig. 3

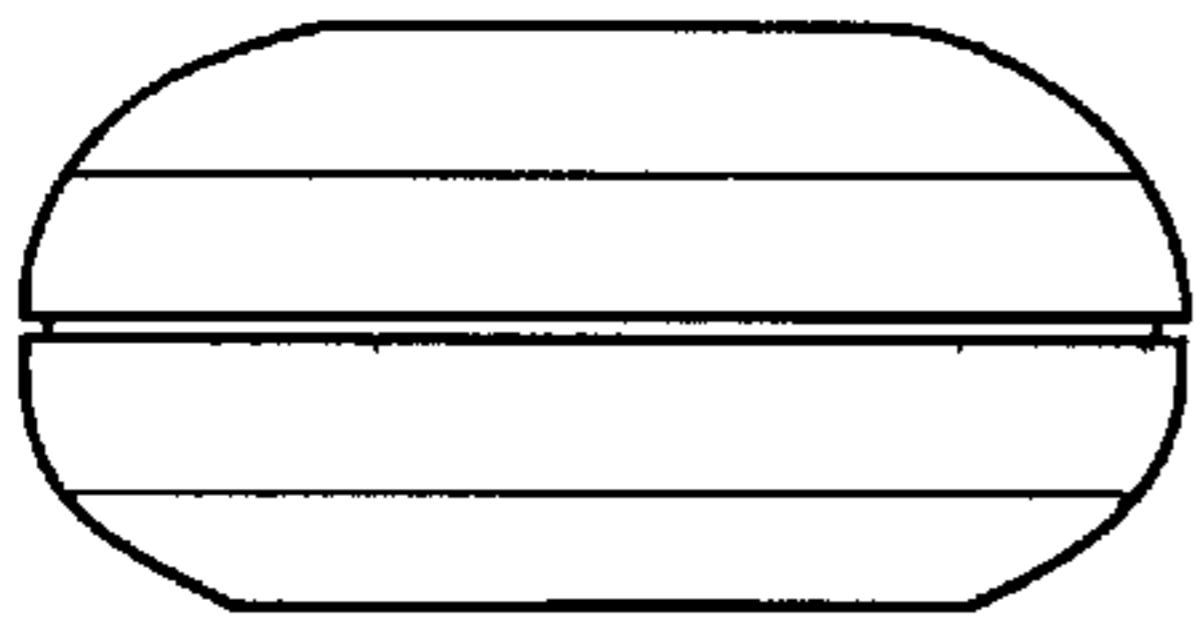


Fig. 4

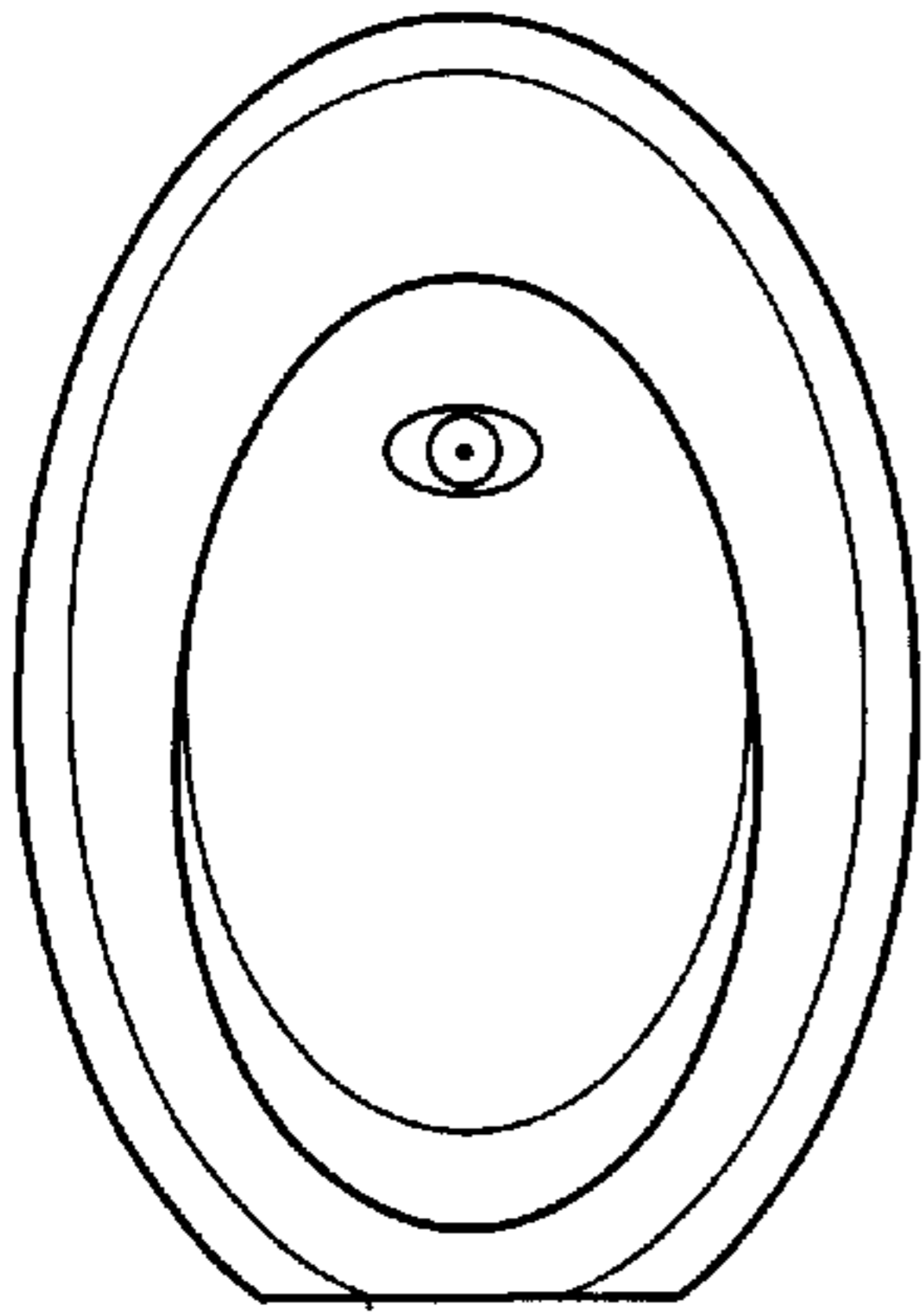


Fig. 5

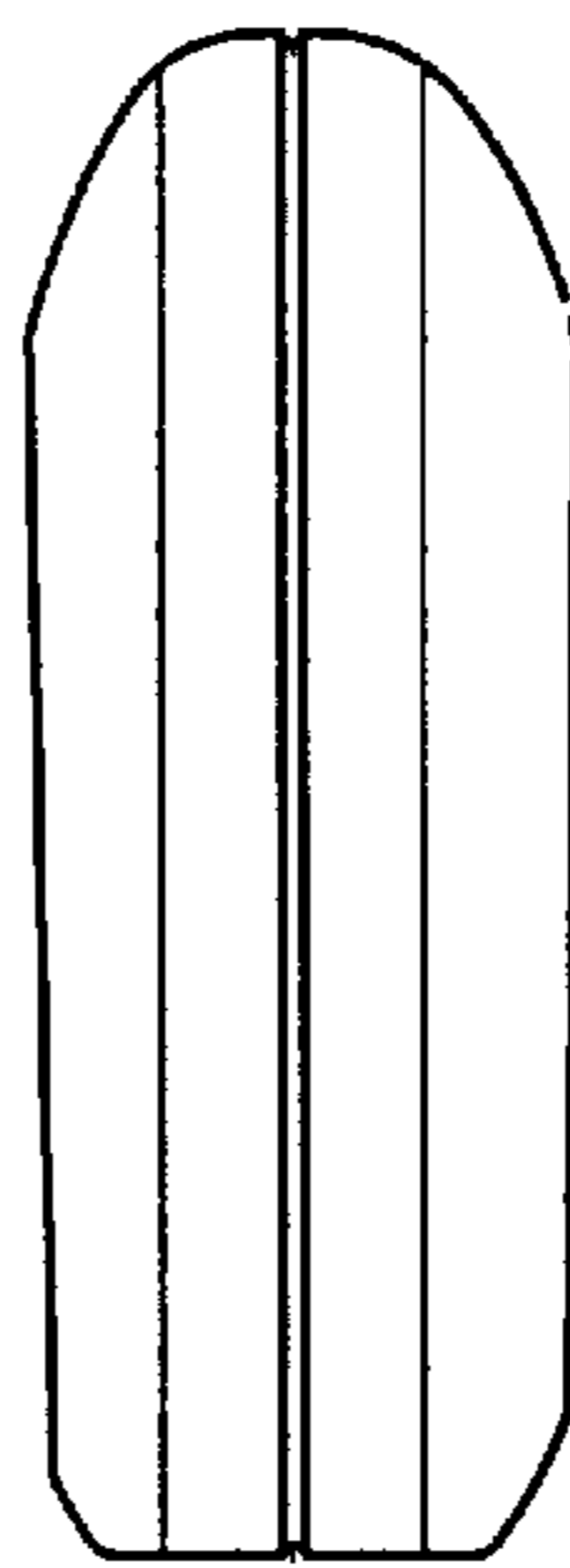


Fig. 6

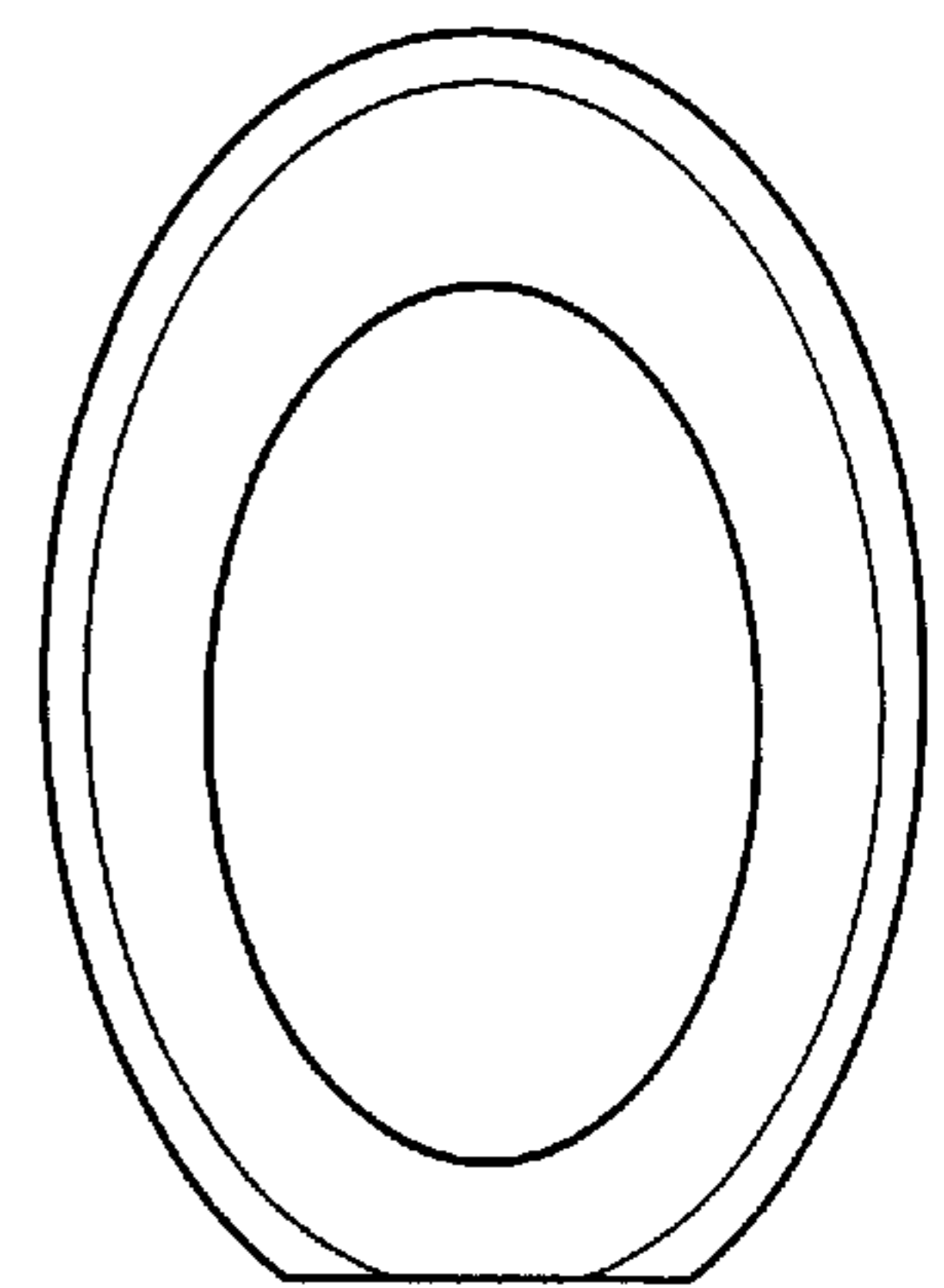


Fig. 7

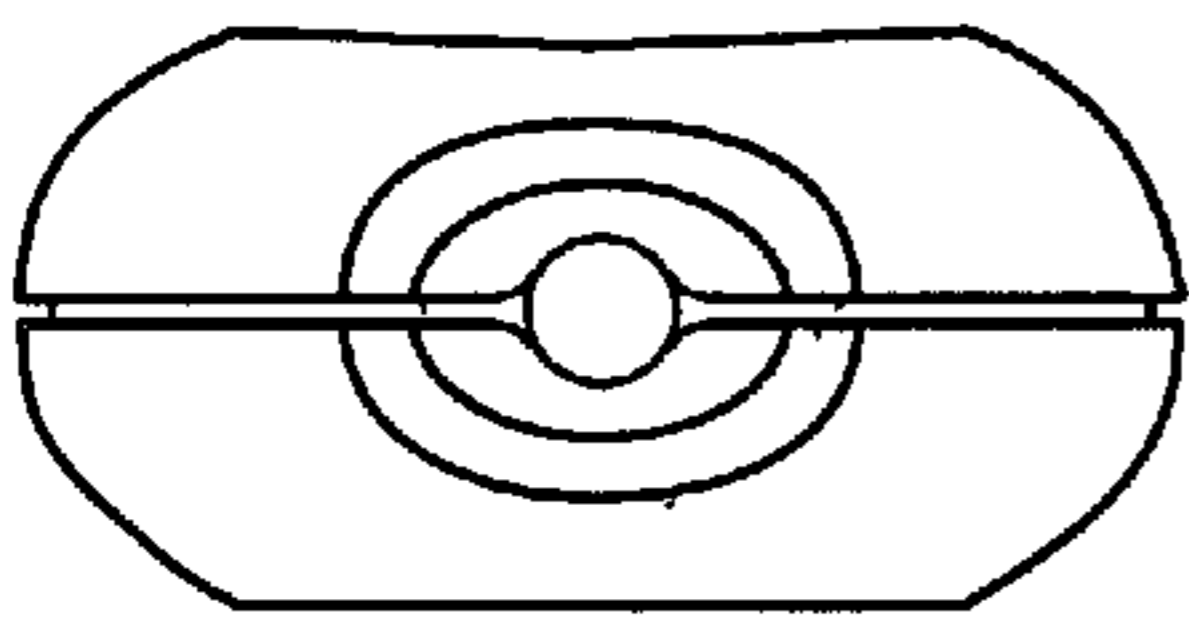


Fig. 8