



US00D463986S

(12) **United States Design Patent**  
**de Coupigny**

(10) **Patent No.:** **US D463,986 S**

(45) **Date of Patent:** **\*\* Oct. 8, 2002**

(54) **WATCH CASE**

*Primary Examiner*—Nelson C. Holtje

(75) **Inventor:** **Bruno de Coupigny**, Boulogne (FR)

(57) **CLAIM**

(73) **Assignee:** **Boucheron Holding**, Paris (FR)

I claim the ornamental design for the watch case, as shown and described.

(\*\*) **Term:** **14 Years**

(21) **Appl. No.:** **29/148,519**

**DESCRIPTION**

(22) **Filed:** **Sep. 21, 2001**

(51) **LOC (7) Cl.** ..... **10-02**

FIG. 1 is a top perspective view of the new ornamental watch case of the present invention.

(52) **U.S. Cl.** ..... **D10/30**

FIG. 2 is a left side view thereof wherein the watch case is inverted.

(58) **Field of Search** ..... D10/30-39, 122-132;  
368/281-282, 276-277, 285

FIG. 3 is a bottom view of the watch case.

(56) **References Cited**

**U.S. PATENT DOCUMENTS**

D324,181 S \* 2/1992 Boucheron ..... D10/39

FIG. 4 is a rear view thereof.

D324,182 S \* 2/1992 Boucheron ..... D10/39

FIG. 5 is a right side view thereof.

D352,007 S \* 11/1994 Boucheron ..... D10/39

**OTHER PUBLICATIONS**

FIG. 6 is a front view thereof; and,

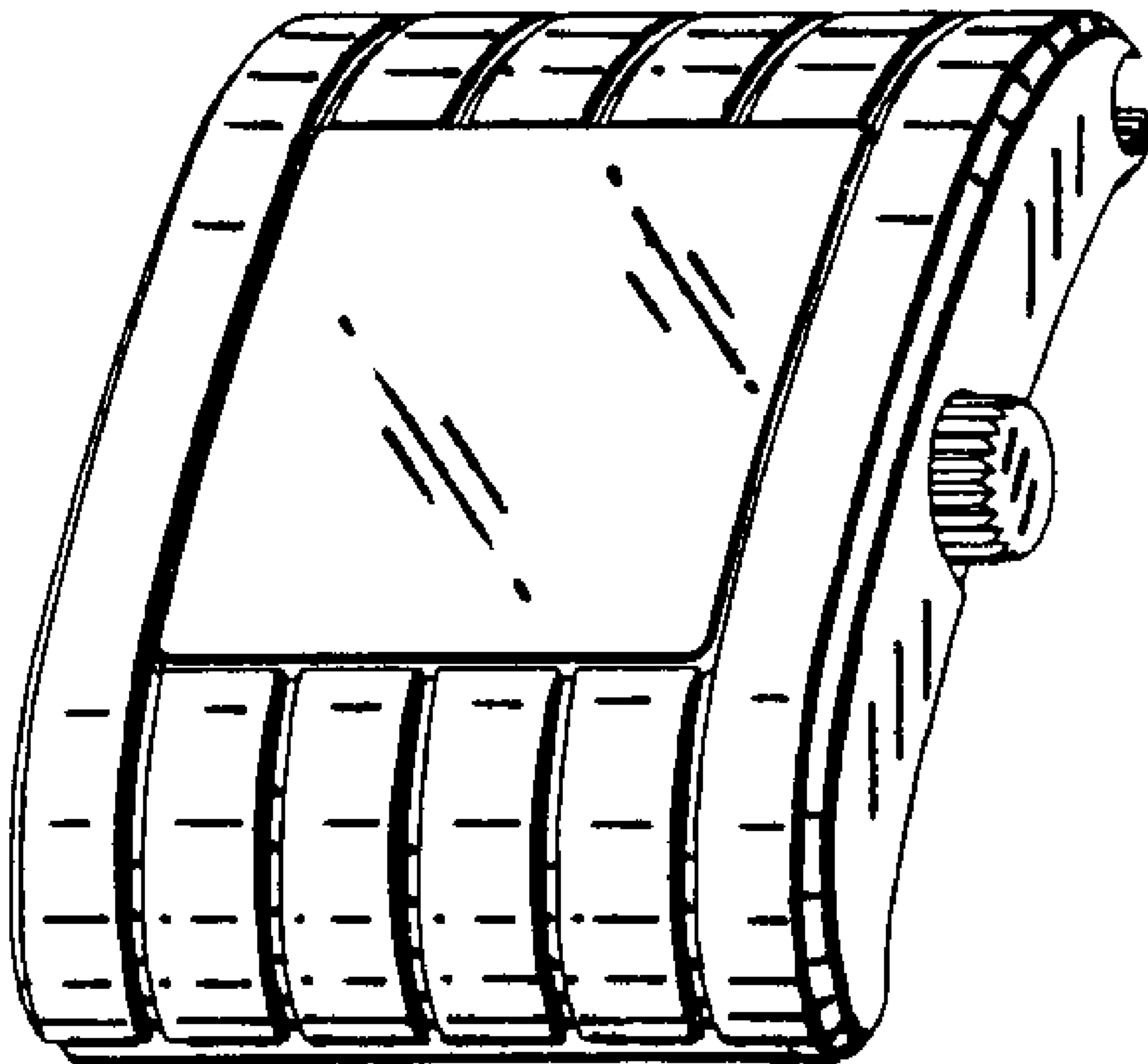
Jeweler's Circular—Keystone—Feb. 1982—p. 41—watches at bottom-right & 2nd from left at top.\*

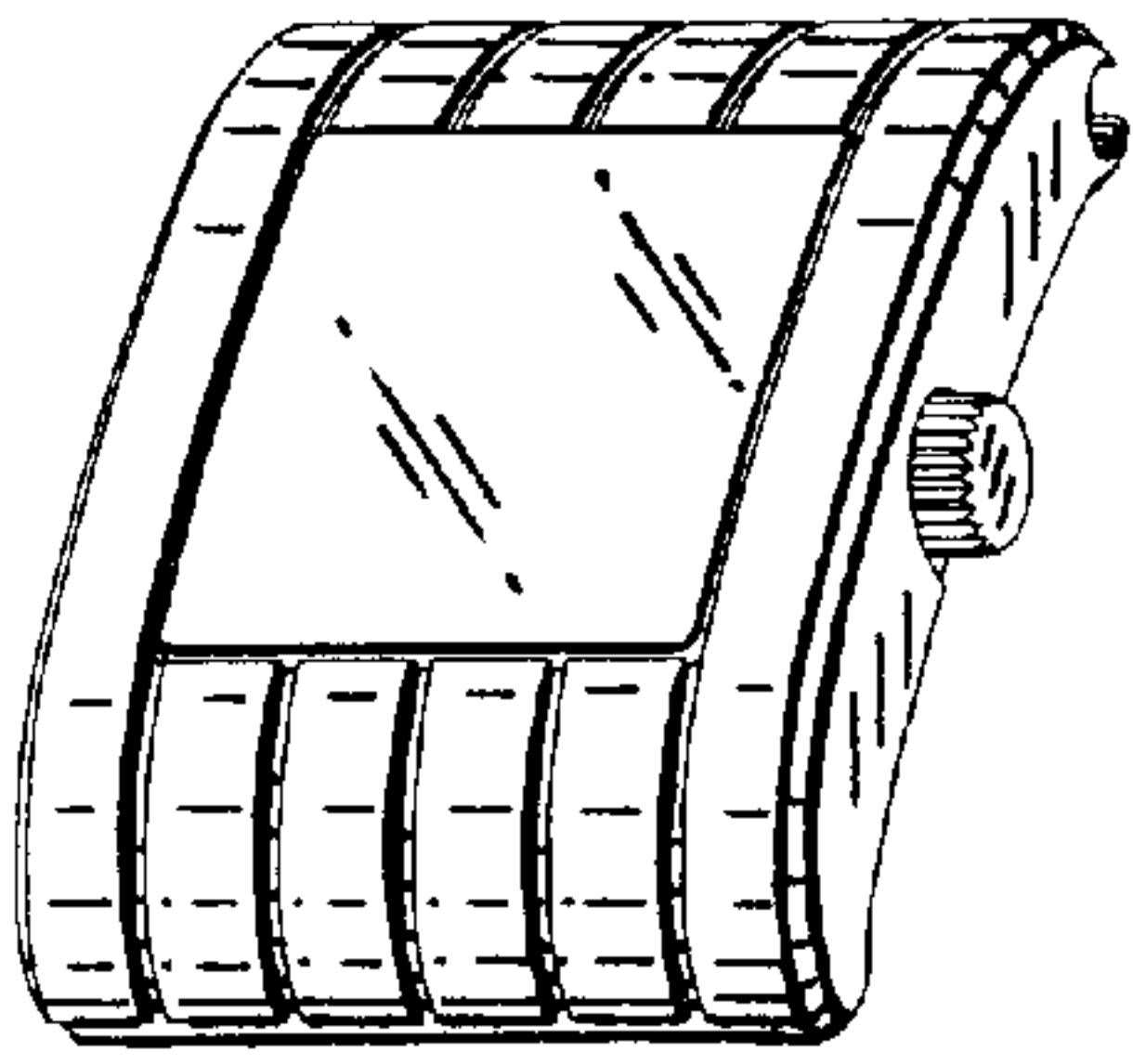
FIG. 7 is a top view thereof.

Jeweler's Circular—Keystone—Aug. 1977—p. 103—watch at top-center.\*

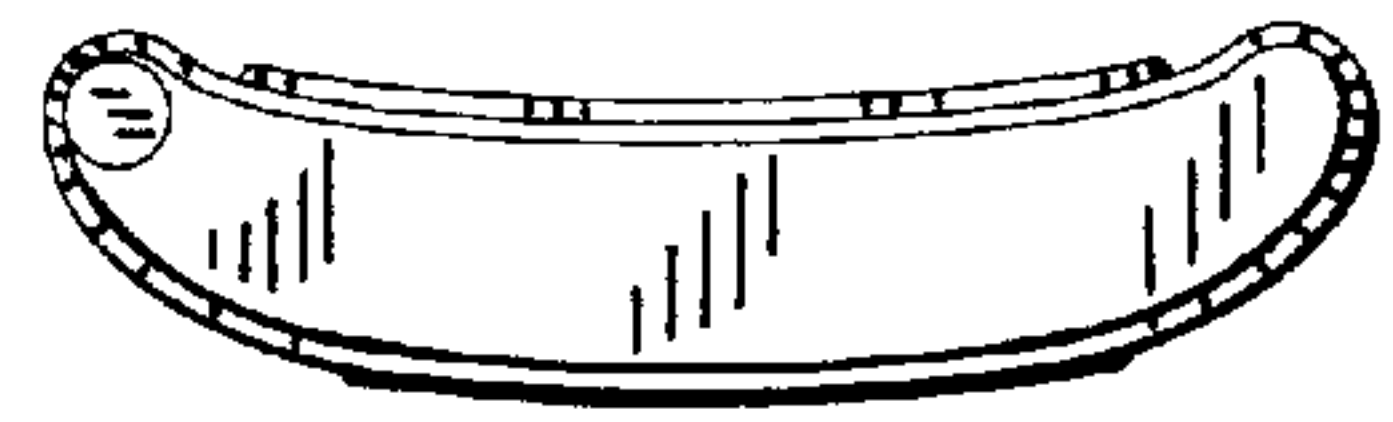
\* cited by examiner

**1 Claim, 1 Drawing Sheet**

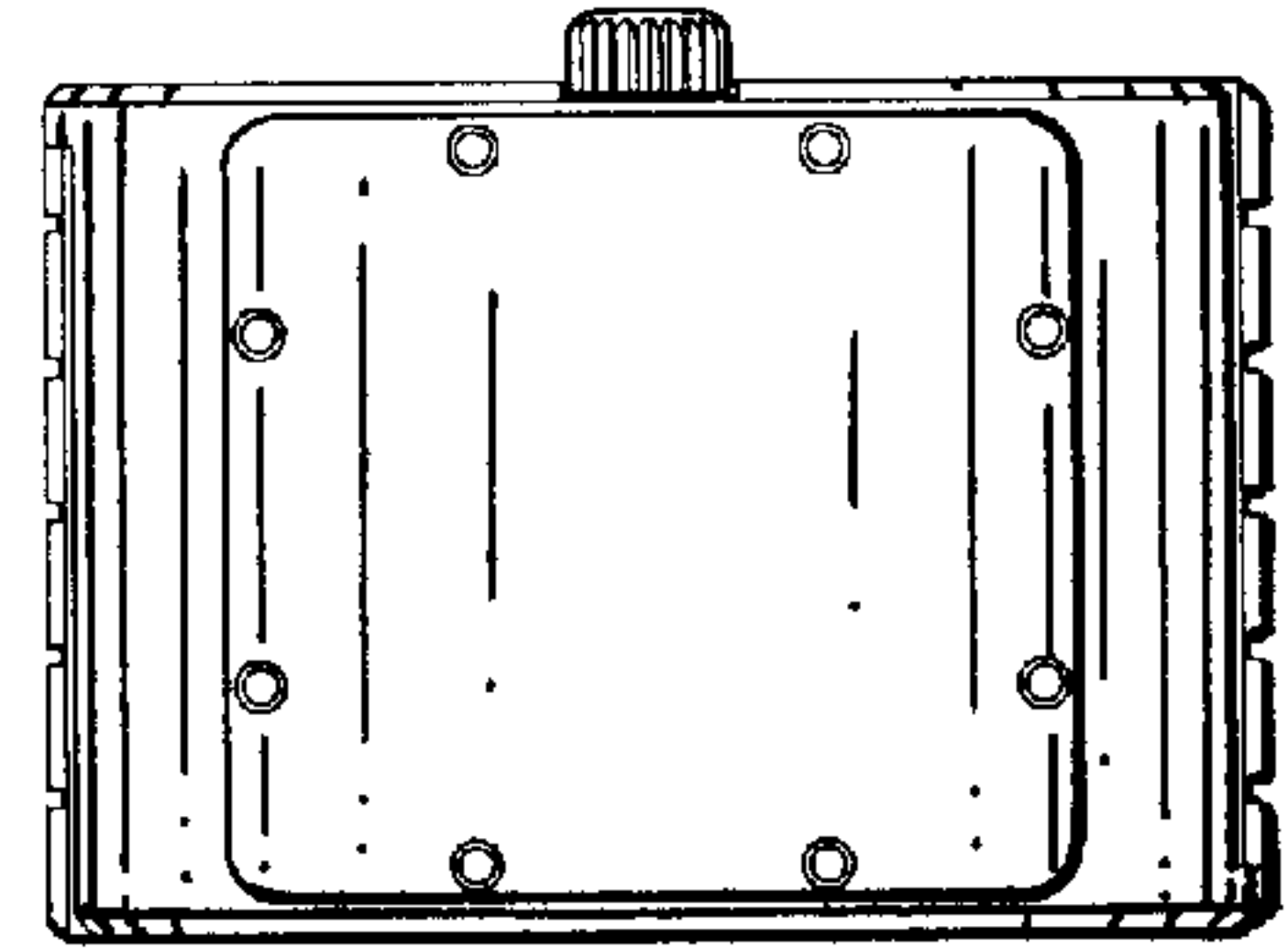




*FIG. 1*



*FIG. 2*



*FIG. 3*



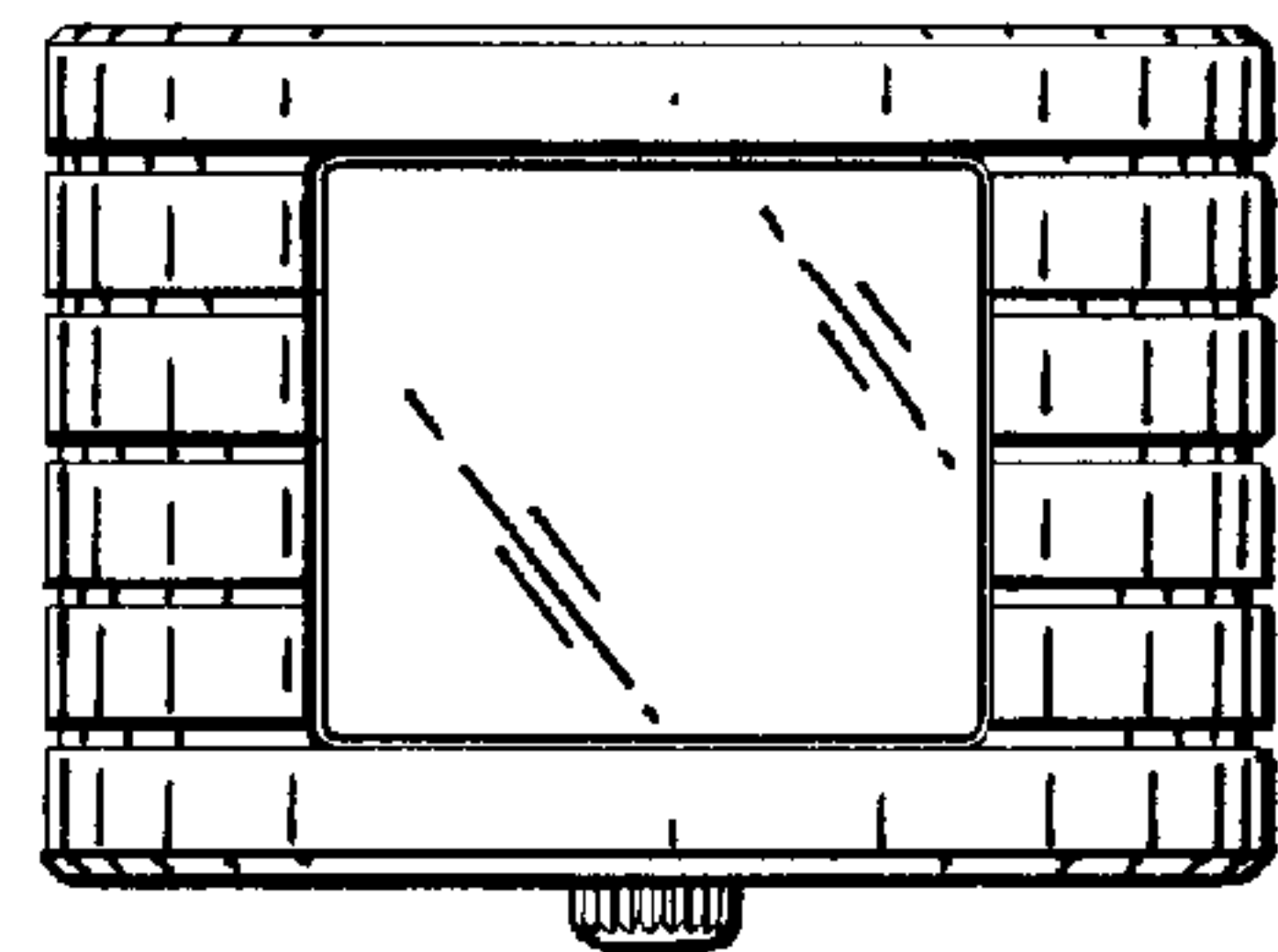
*FIG. 4*



*FIG. 5*



*FIG. 6*



*FIG. 7*