



US00D463982S

(12) **United States Design Patent**
Speelman

(10) **Patent No.:** **US D463,982 S**

(45) **Date of Patent:** **** Oct. 8, 2002**

(54) **CONTAINER**

(75) Inventor: **Robert Speelman**, Findlay, OH (US)

(73) Assignee: **Silgan Plastics Corporation**,
Triadelphia, WV (US)

(**) Term: **14 Years**

(21) Appl. No.: **29/146,737**

(22) Filed: **Aug. 15, 2001**

(51) **LOC (7) Cl.** **09-01**

(52) **U.S. Cl.** **D9/539; D9/500; D9/549**

(58) **Field of Search** D9/300, 501, 502,
D9/503, 504, 537, 549, 516, 520, 530,
539, 558, 574; 215/200, 316, 354, 356;
221/312 R; 222/206, 465.1, 470, 519

(56) **References Cited**

U.S. PATENT DOCUMENTS

- 2,272,549 A * 2/1942 Deschner 215/73
- D168,344 S * 12/1952 Goldman D2/3
- 2,785,841 A * 3/1957 Westgate 222/545
- D217,850 S * 6/1970 Lawton et al. D9/100
- 3,817,418 A 6/1974 Mastrovito

- 4,561,562 A 12/1985 Trombly
- 5,738,231 A 4/1998 Montgomery
- 5,931,323 A * 8/1999 Wilkinson et al. 215/228
- D417,850 S * 12/1999 Miller D9/542
- D425,423 S 5/2000 Mengeu et al.

* cited by examiner

Primary Examiner—Ted Shooman

Assistant Examiner—Daniel Bui

(57) **CLAIM**

The ornamental design for a container, as shown and described.

DESCRIPTION

Commonly owned, concurrently filed utility patent application Ser. No. 09/930,079 entitled "A package including a container with a wide-mouth spout and enclosure sealing the spout".

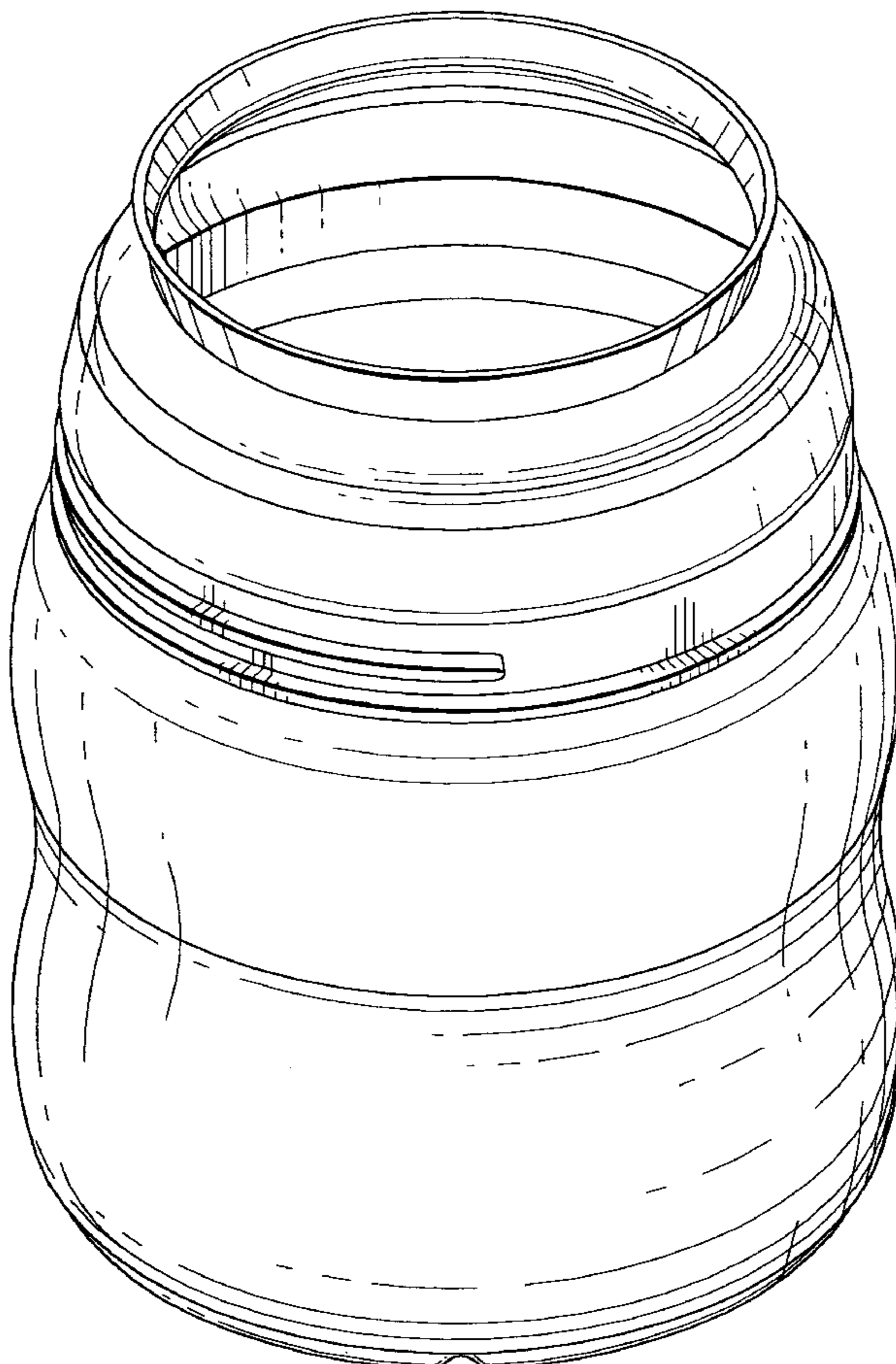
FIG. 1 is a perspective view of the container showing my new design;

FIG. 2 is an elevation view of the container taken from the side opposite that shown in FIG. 1;

FIG. 3 is a top plan view of the container; and,

FIG. 4 is a bottom plan view of the container.

1 Claim, 3 Drawing Sheets



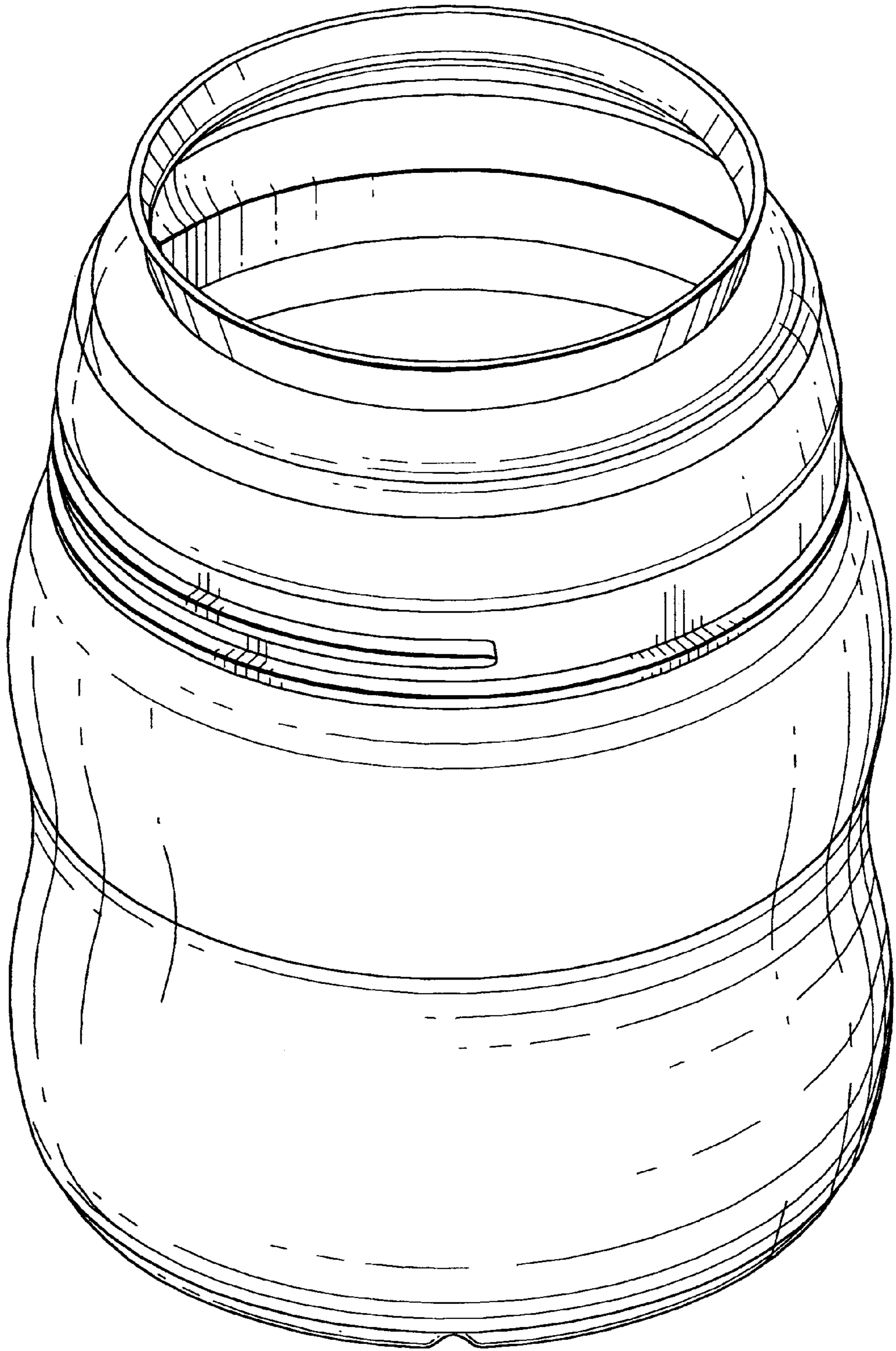


FIG. 1

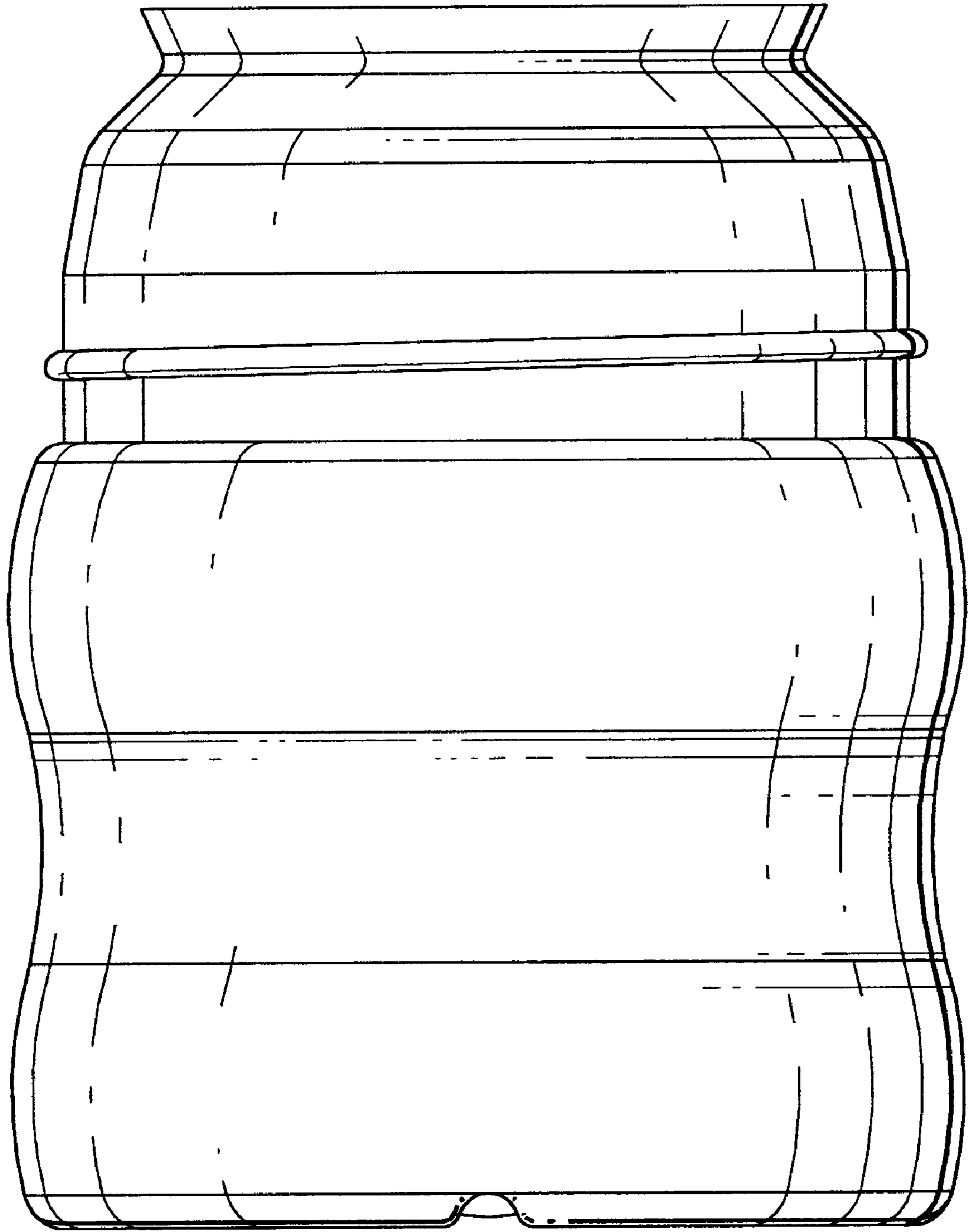


FIG. 2

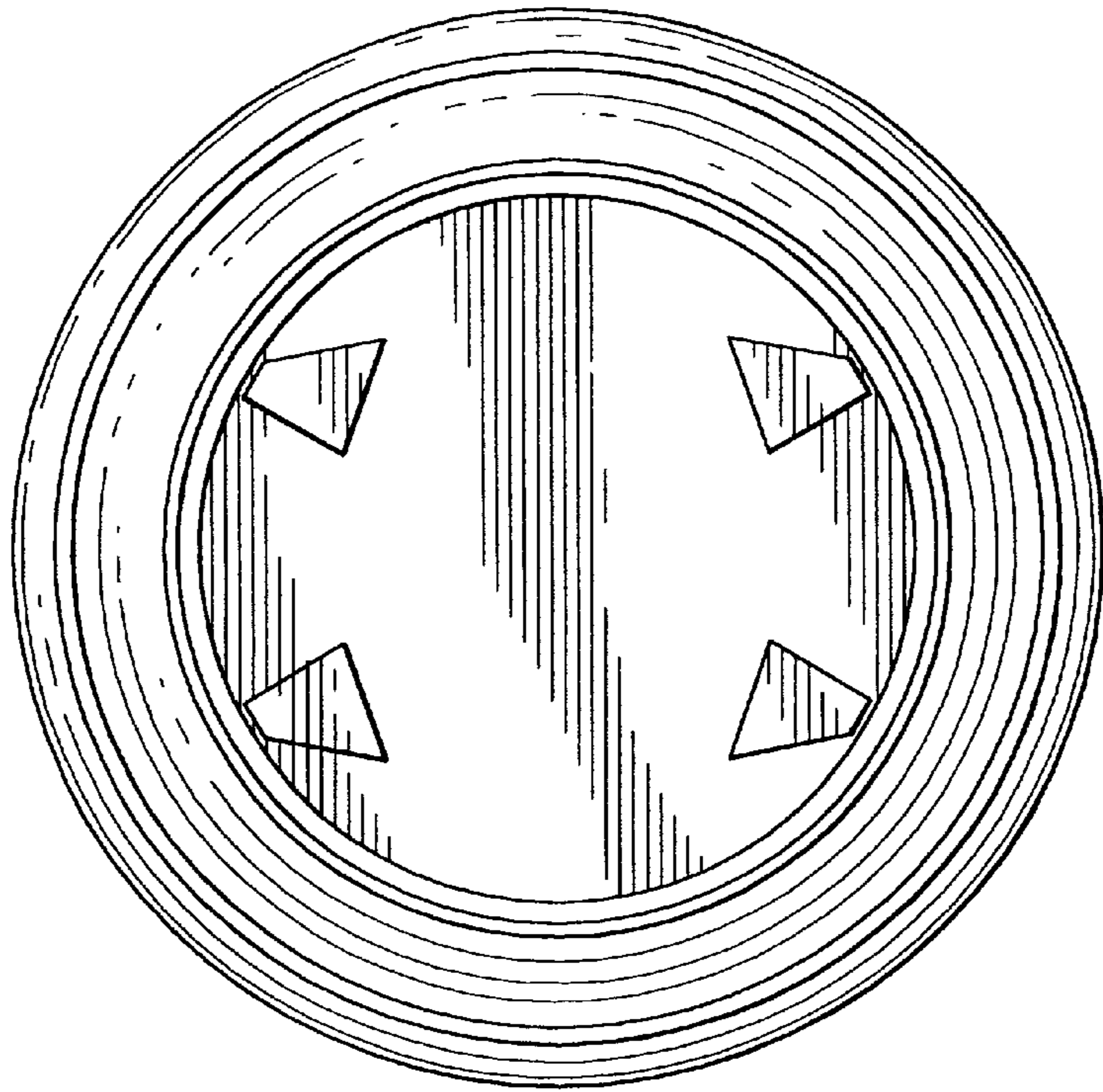


FIG. 3

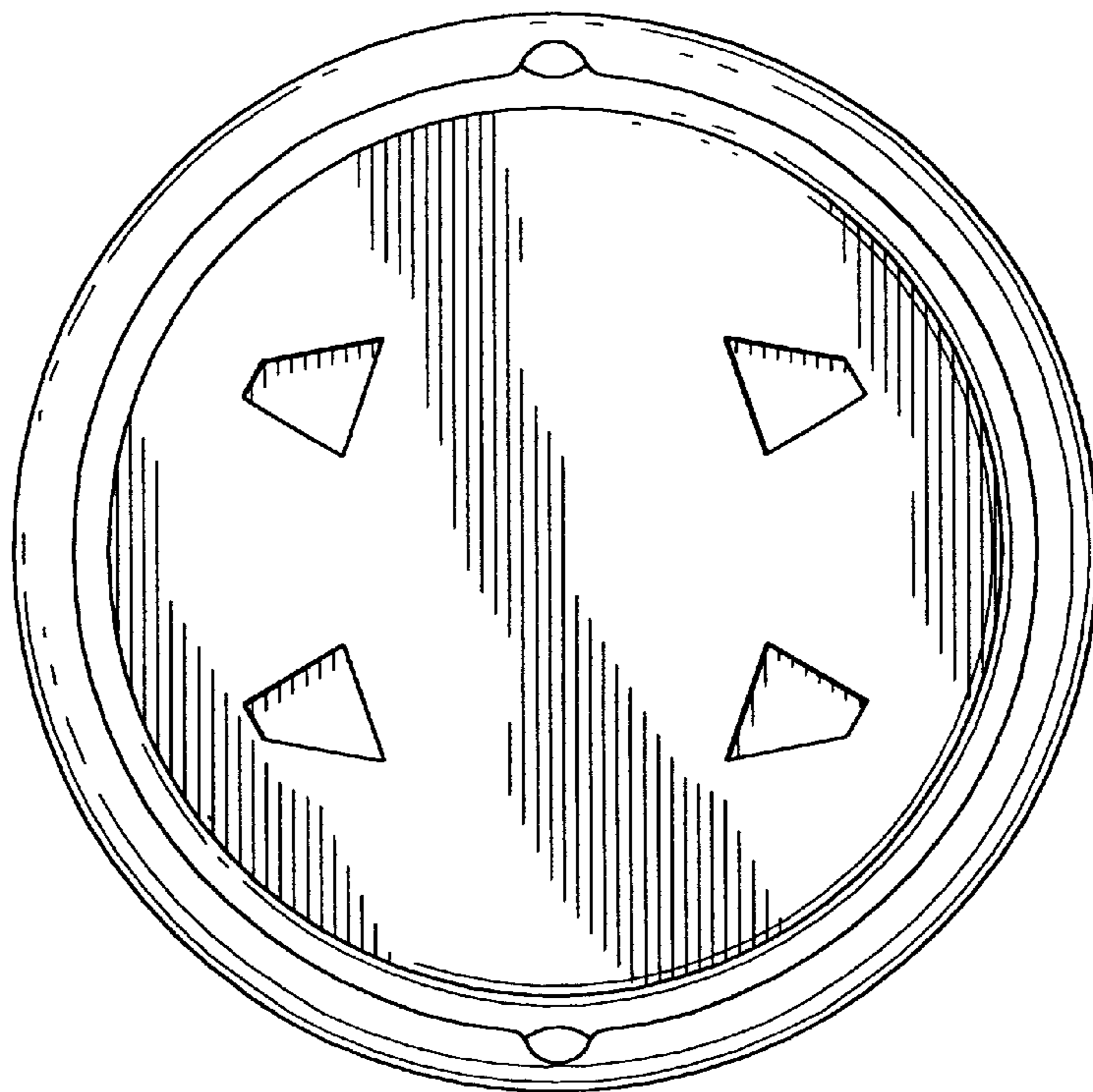


FIG. 4