



US00D463979S

(12) **United States Design Patent**  
**Rustioni**

(10) **Patent No.:** **US D463,979 S**

(45) **Date of Patent:** **\*\* Oct. 8, 2002**

(54) **BOX WITH ROTATING ELEMENT**

(76) Inventor: **Alessandro Rustioni**, 50036,  
Vaglia-Firenze (IT)

(\*\*) Term: **14 Years**

(21) Appl. No.: **29/129,883**

(22) Filed: **Sep. 22, 2000**

(30) **Foreign Application Priority Data**

Mar. 22, 2000 (XH) ..... DM/052 482

(51) **LOC (7) Cl.** ..... **09-03**

(52) **U.S. Cl.** ..... **D9/422**

(58) **Field of Search** ..... D6/432, 448, 466,  
D6/470; D9/422, 423, 432; 206/301, 18,  
736

(56) **References Cited**

**U.S. PATENT DOCUMENTS**

- 3,445,052 A \* 5/1969 Lewallen
- D250,235 S \* 11/1978 Chervenak ..... D6/448
- D259,918 S \* 7/1981 Hufton ..... D9/423

- D311,686 S \* 10/1990 Tozawa ..... D9/423
- D343,357 S \* 1/1994 Masunaga ..... D9/422
- D386,080 S \* 11/1997 Iwanaga ..... D9/423
- D388,834 S \* 1/1998 Sandy ..... D20/40
- D410,230 S \* 5/1999 Witte ..... D14/371
- D432,416 S \* 10/2000 Fai Au et al. .... D9/422
- D437,148 S \* 2/2001 Base et al. .... D6/432
- D437,779 S \* 2/2001 Randall et al. .... D9/418
- D444,704 S \* 7/2001 Smouha ..... D9/423
- D449,525 S \* 10/2001 Sturgess ..... D9/432
- D449,944 S \* 11/2001 Wolf ..... D6/470

\* cited by examiner

*Primary Examiner*—Caron D. Veynar

(57) **CLAIM**

The ornamental design for a box with rotating element, as shown and described.

**DESCRIPTION**

The single FIGURE is a front perspective view of a box with rotating element showing my new design.

The broken lines shown on the flap are for illustrative purposes only and form no part of the claimed design.

**1 Claim, 1 Drawing Sheet**

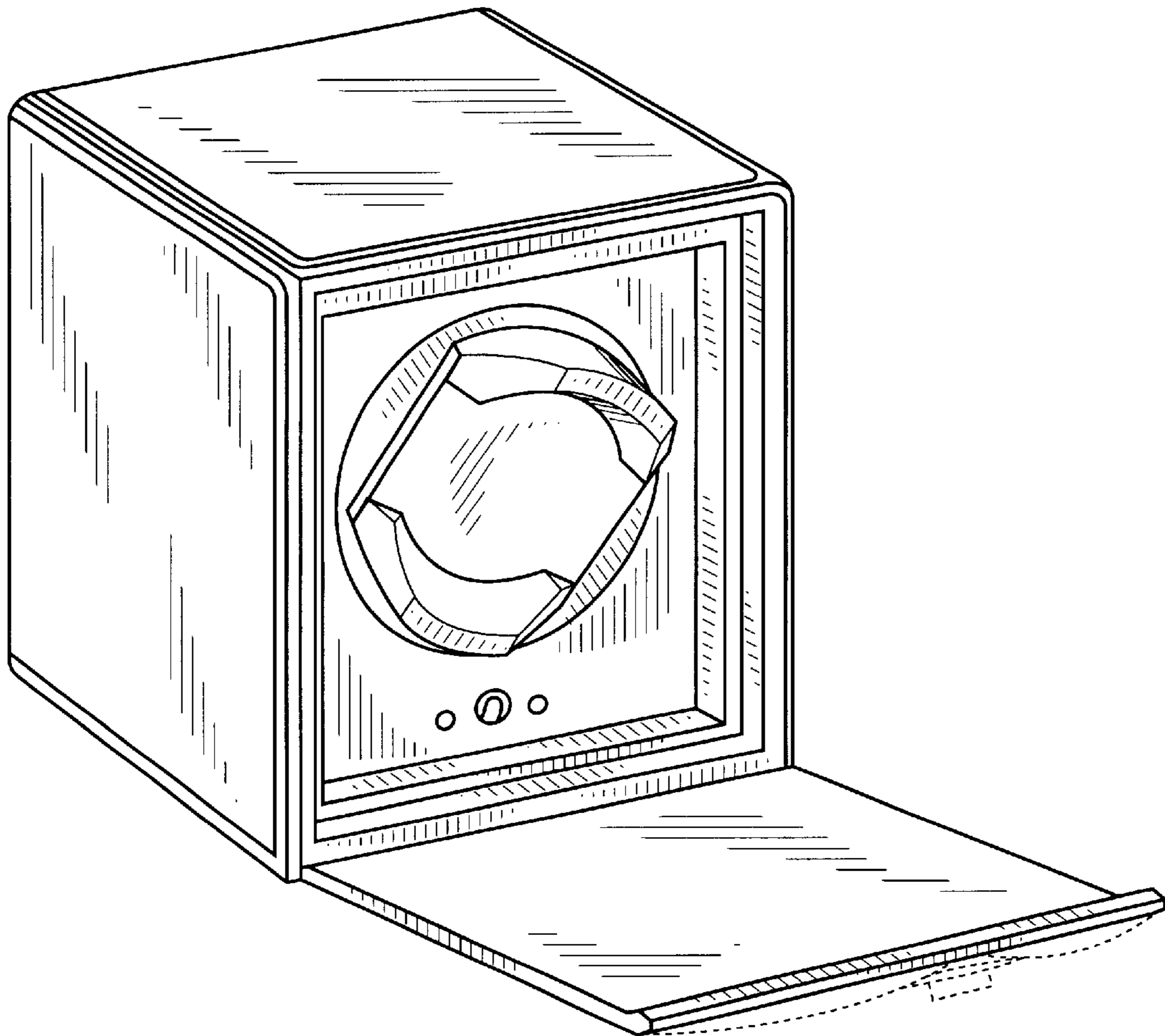


FIG. 1

