



US00D463978S

(12) **United States Design Patent**
DiMartino

(10) **Patent No.:** **US D463,978 S**

(45) **Date of Patent:** **** Oct. 8, 2002**

(54) **CONDOM DISPLAY PACKAGE**

(75) Inventor: **Michael A. DiMartino**, Burgaw, NC
(US)

(73) Assignee: **W. R. Rayson Co., Inc.**, Burgaw, NC
(US)

(**) Term: **14 Years**

(21) Appl. No.: **29/143,701**

(22) Filed: **Jun. 19, 2001**

(51) **LOC (7) Cl.** **09-03**

(52) **U.S. Cl.** **D9/415; D9/418**

(58) **Field of Search** D9/414, 415, 418,
D9/337, 341, 456; 206/461-471, 495, 806,
278, 457, 37

(56) **References Cited**

U.S. PATENT DOCUMENTS

- D206,771 S * 1/1967 Vallulls D9/415
- 3,861,528 A * 1/1975 Damuth 206/463
- D342,672 S * 12/1993 Burton et al. D9/415
- D353,092 S * 12/1994 Green D9/415

- D355,848 S * 2/1995 Ivansons et al. D9/415
- D370,174 S * 5/1996 Bergstedt D9/415
- 6,131,737 A * 10/2000 Marshall 206/471

* cited by examiner

Primary Examiner—Prabhakar Deshmukh

(74) *Attorney, Agent, or Firm*—MacCord Mason PLLC

(57) **CLAIM**

The ornamental design for a condom display package, as shown and described.

DESCRIPTION

FIG. 1 is a perspective view of the display package.

FIG. 2 is a front view of the display package.

FIG. 3 is a back view of the display package.

FIG. 4 is a left side view of the display package.

FIG. 5 is a right side view of the display package.

FIG. 6 is a top view of the display package; and,

FIG. 7 is a bottom view of the display package.

The broken lines showing portions of a compact are for illustrative purpose only and forms no part of the claimed design.

1 Claim, 5 Drawing Sheets

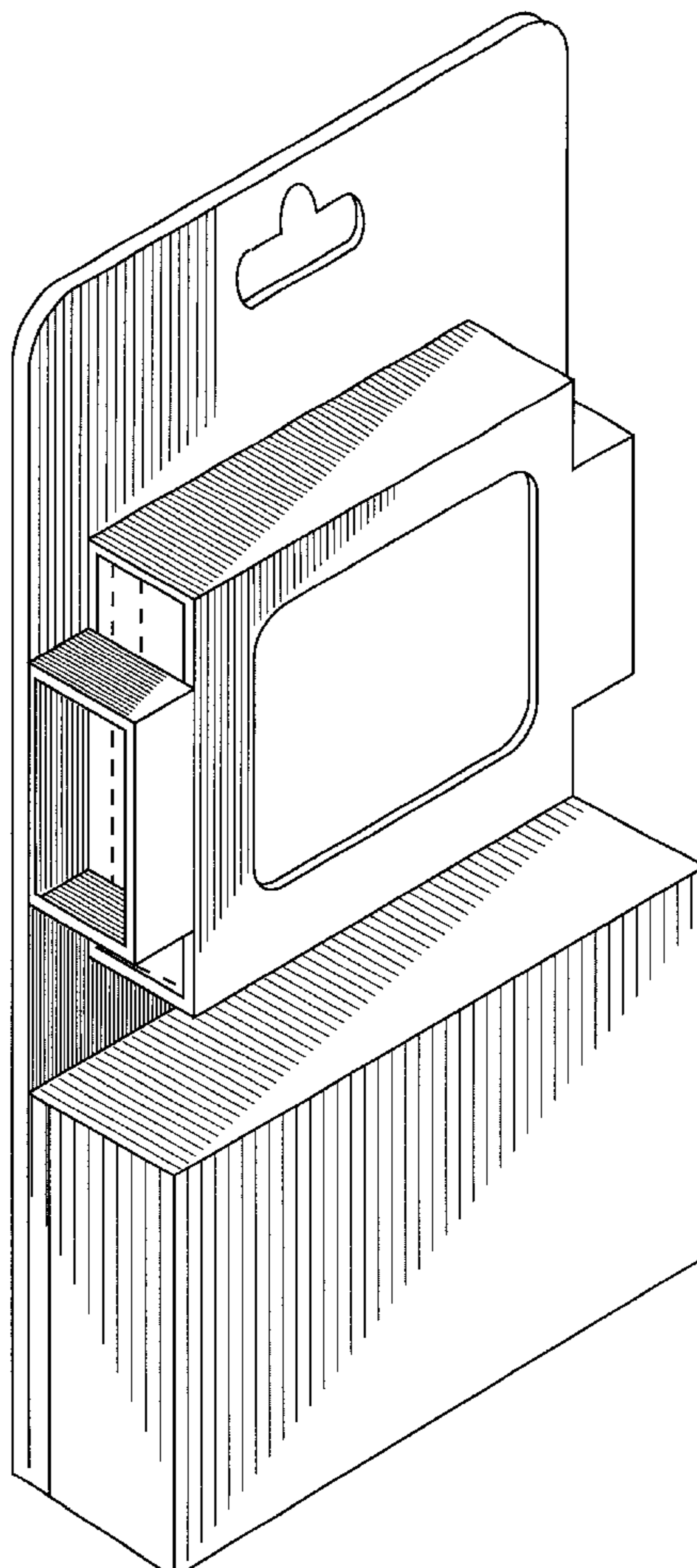


Fig. 1

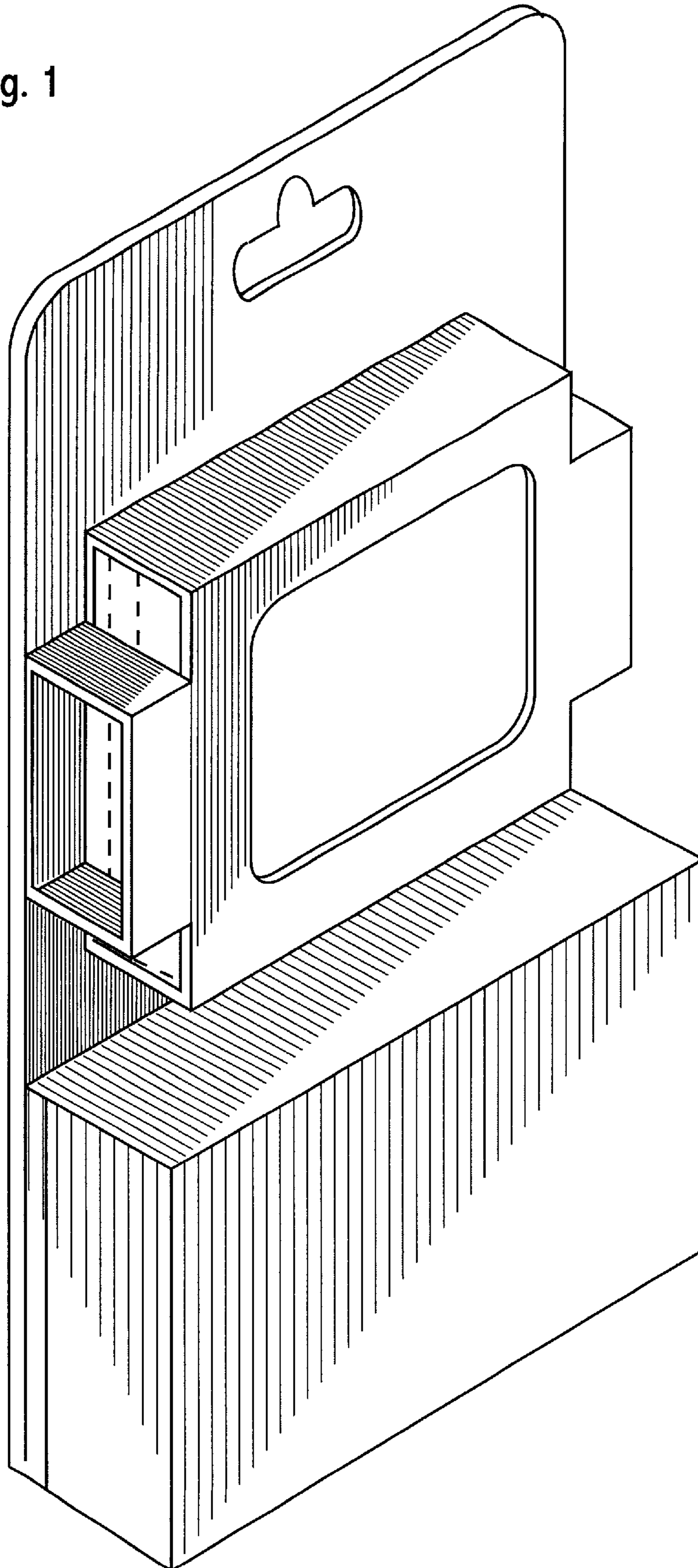


Fig. 2

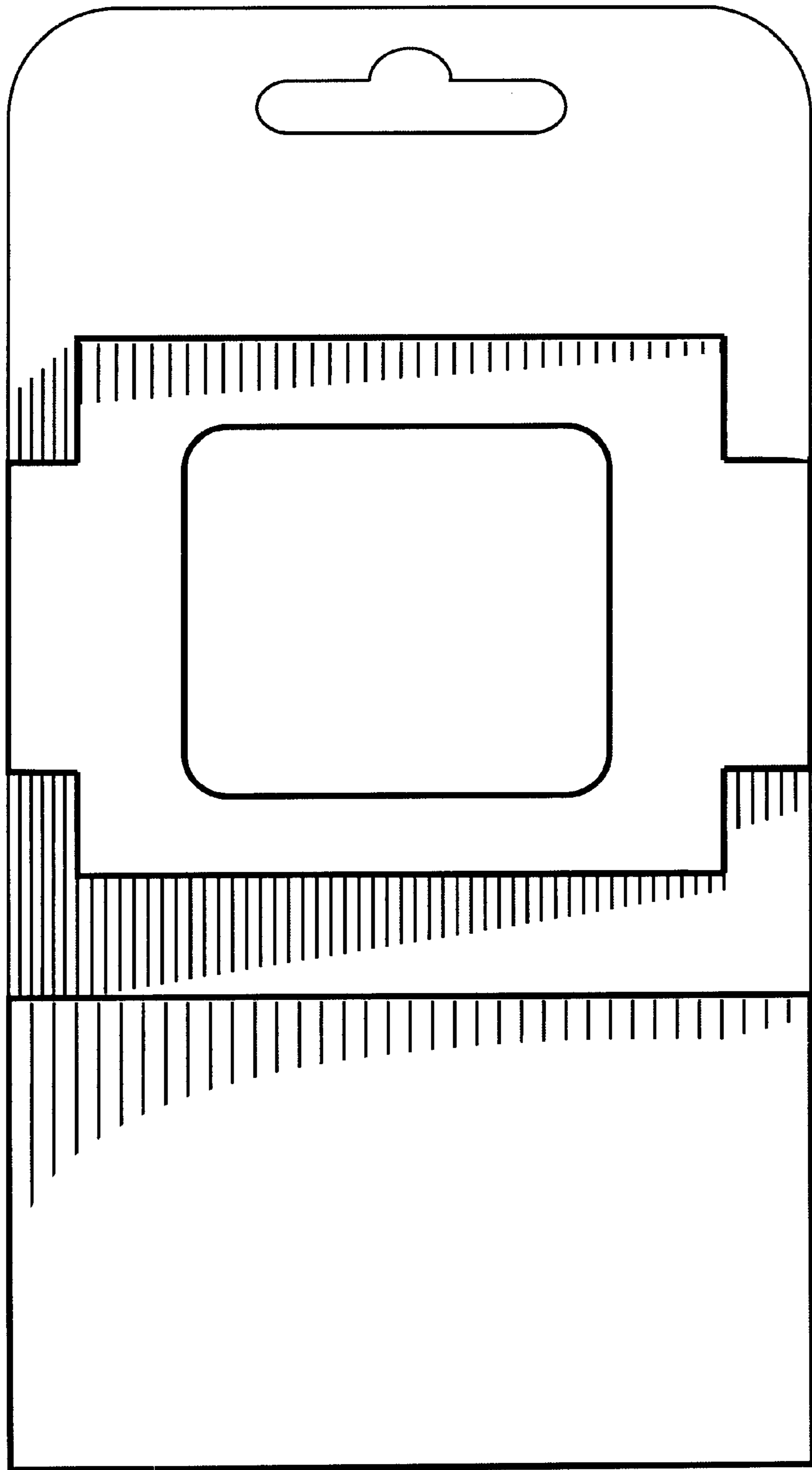


Fig. 3

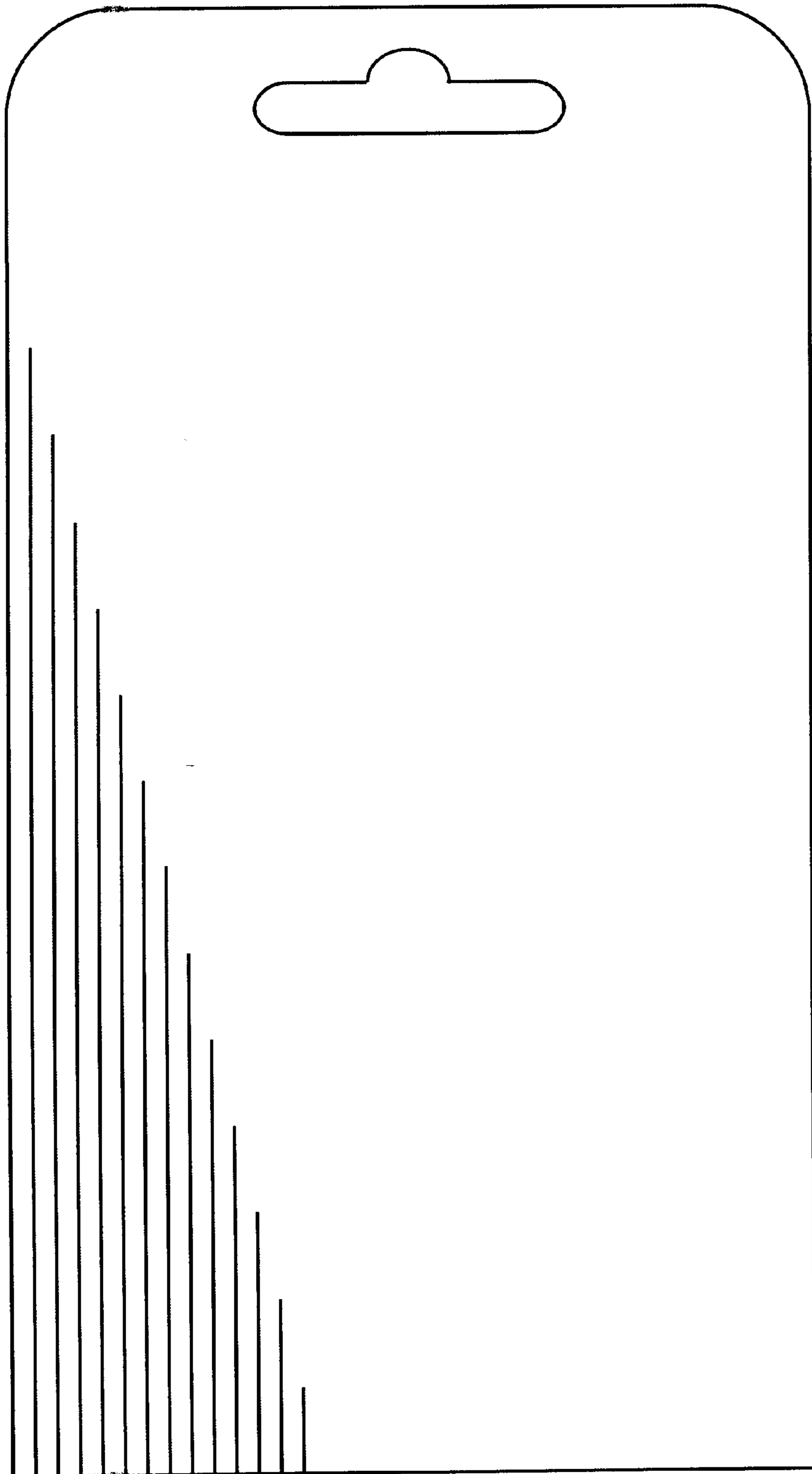


Fig. 4

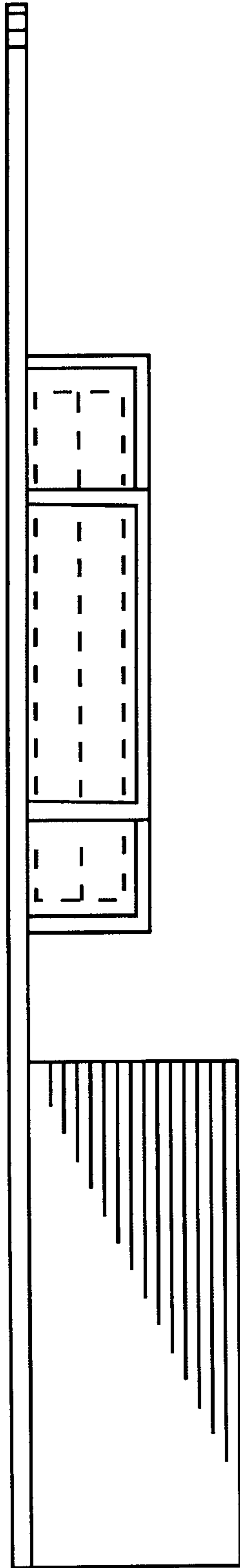


Fig. 5

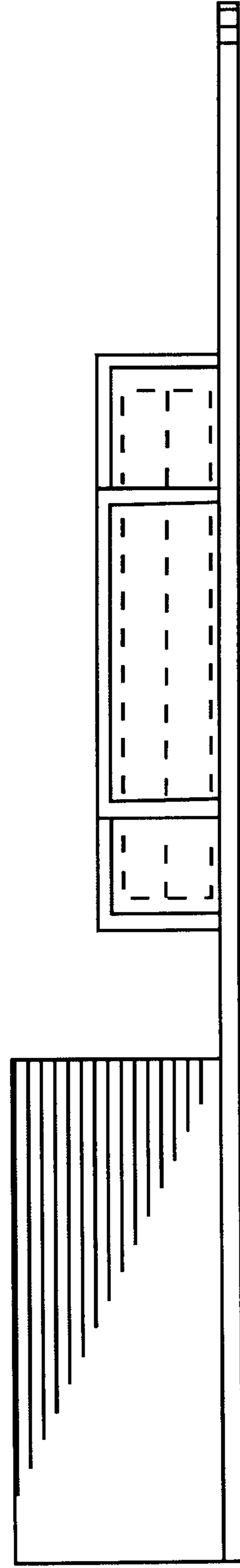


Fig. 6

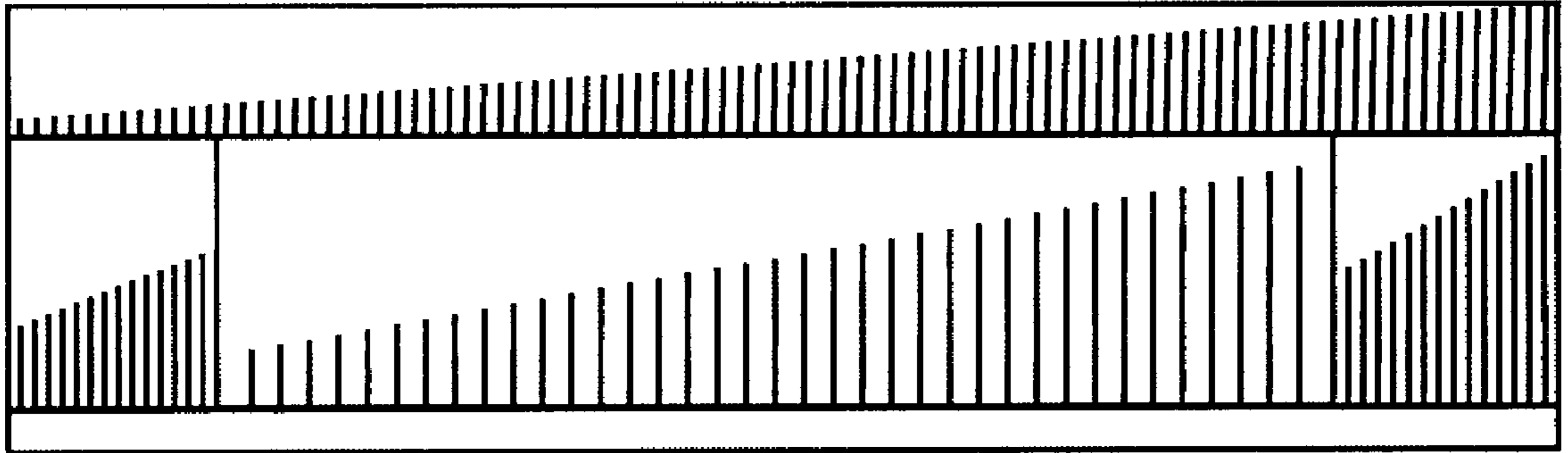


Fig. 7

