



US00D463977S

(12) **United States Design Patent**
Castellanos et al.

(10) **Patent No.: US D463,977 S**

(45) **Date of Patent: ** Oct. 8, 2002**

(54) **ONE PIECE ASSEMBLY OF CONTAINER AND UTENSIL**

(75) Inventors: **Carolina Alejandra Castellanos**, DeForest, WI (US); **Kyle Robert Karsten**, Sun Prairie, WI (US)

(73) Assignee: **Kraft Foods Holdings, Inc.**, Northfield, IL (US)

(**) Term: **14 Years**

(21) Appl. No.: **29/154,984**

(22) Filed: **Feb. 1, 2002**

Related U.S. Application Data

(62) Division of application No. 29/131,159, filed on Oct. 16, 2000.

(51) **LOC (7) Cl.** **09-03**

(52) **U.S. Cl.** **D9/347; D9/425**

(58) **Field of Search** D9/425, 426, 341, D9/346, 347, 432, 437; D7/550.1, 553.1, 553.2, 553.4, 553.5, 553.6, 558, 602; 206/216, 557, 561, 563; 229/406, 407, 902-906, 915, 938; 426/106, 120, 128, 129, 130, 113, 114, 115; 220/556, 500, 506, 521

(56) **References Cited**

U.S. PATENT DOCUMENTS

1,514,379	A	11/1924	Fleischer	
1,848,066	A *	3/1932	Shepard et al. D7/555 X
3,381,876	A *	5/1968	Biggins 220/574
3,624,787	A	11/1971	Newman 220/60 R
3,704,779	A *	12/1972	Nigg 220/556
4,013,798	A *	3/1977	Goltsos 220/556

4,060,176	A	11/1977	Tobiasson 220/212
4,216,875	A	8/1980	Stanish 220/212
D324,651	S *	3/1992	Kaneko D9/418
5,236,119	A *	8/1993	Chu 220/556
5,443,174	A	8/1995	Bauer 220/212
D379,301	S *	5/1997	Lippincott D9/347
5,727,679	A	3/1998	Newarski 206/222
5,747,084	A *	5/1998	Cochran et al. 426/110
D395,003	S *	6/1998	Daniels D9/347
D398,524	S *	9/1998	Waterhouse D9/347
5,992,667	A	11/1999	Huang 220/212
6,003,710	A	12/1999	Huang 220/212
D429,147	S *	8/2000	Baker et al. D9/347
D432,409	S *	10/2000	Feldmeier D9/347

* cited by examiner

Primary Examiner—Prabhakar Deshmukh
(74) *Attorney, Agent, or Firm*—Fitch, Even, Tabin & Flannery

(57) **CLAIM**

The ornamental design for one piece assembly of container and utensil, as shown and described.

DESCRIPTION

FIG. 1 is a perspective view of a one piece assembly of container and utensil;
FIG. 2 is a top plan view thereof;
FIG. 3 is a bottom plan view thereof;
FIG. 4 is a front elevational view thereof;
FIG. 5 is a rear elevational view thereof;
FIG. 6 is an elevational view taken from one side thereof; and,
FIG. 7 is an elevational view taken from the other side thereof.

1 Claim, 4 Drawing Sheets

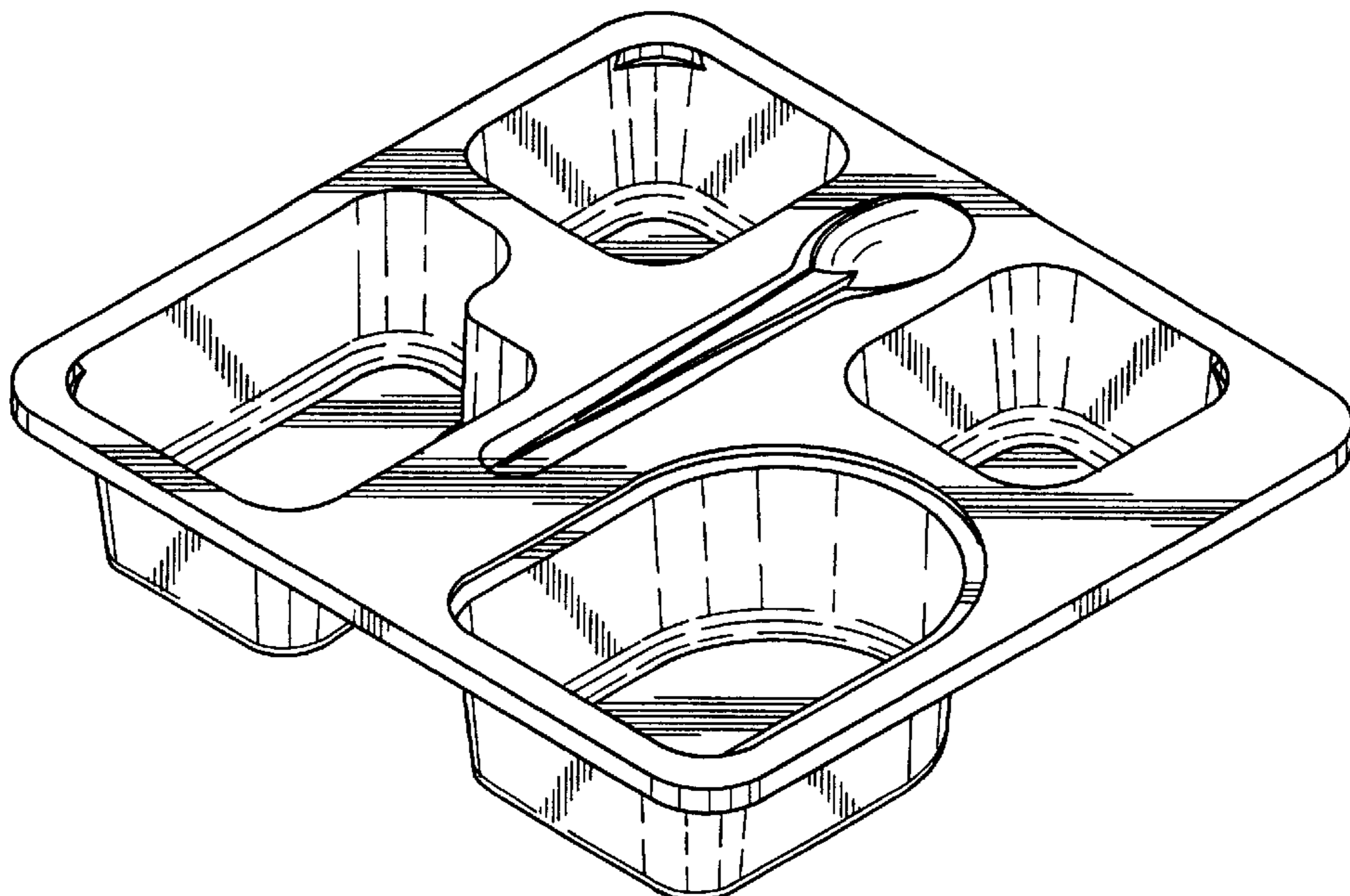


Fig. 1

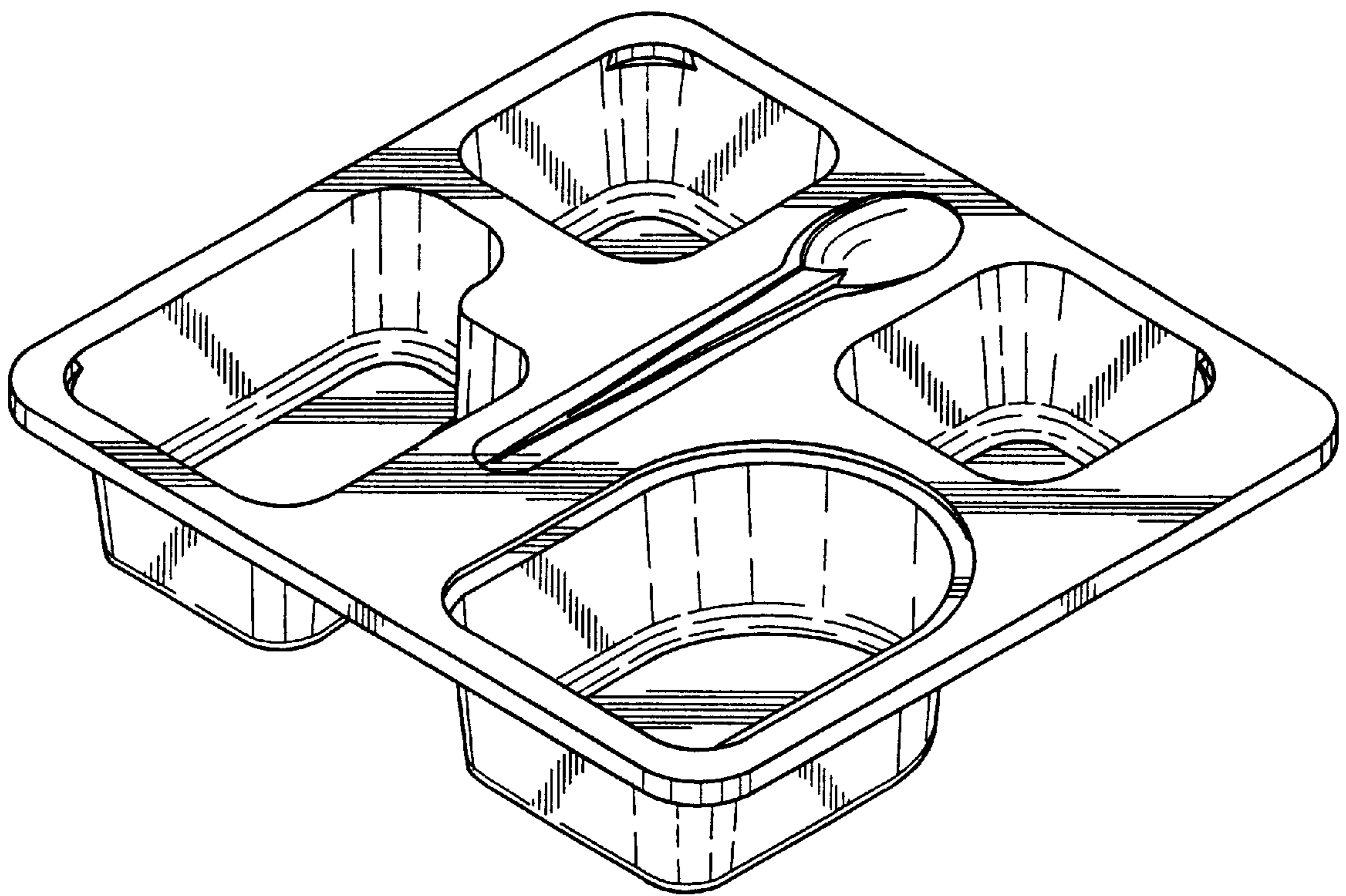


Fig. 2

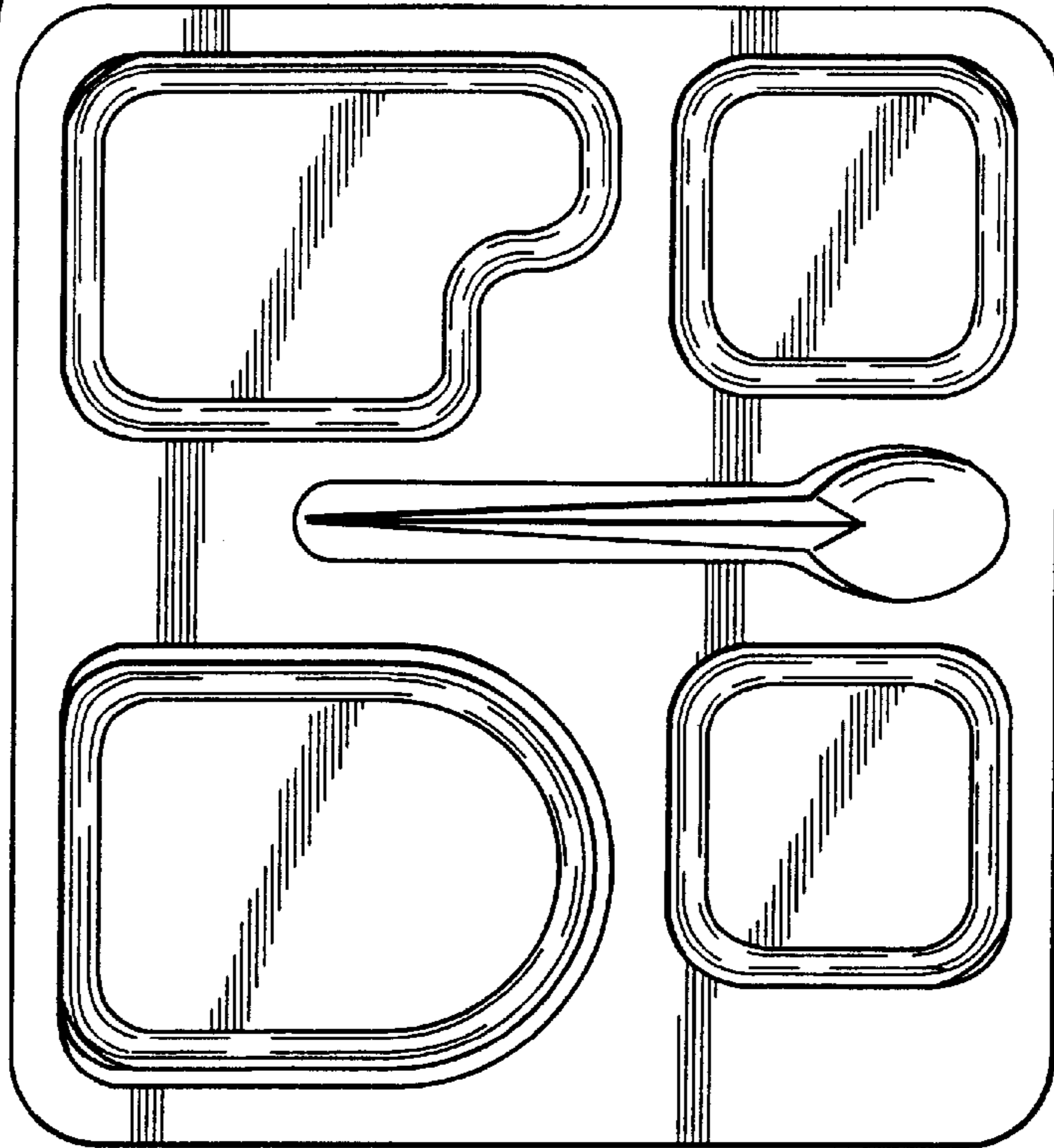


Fig. 3

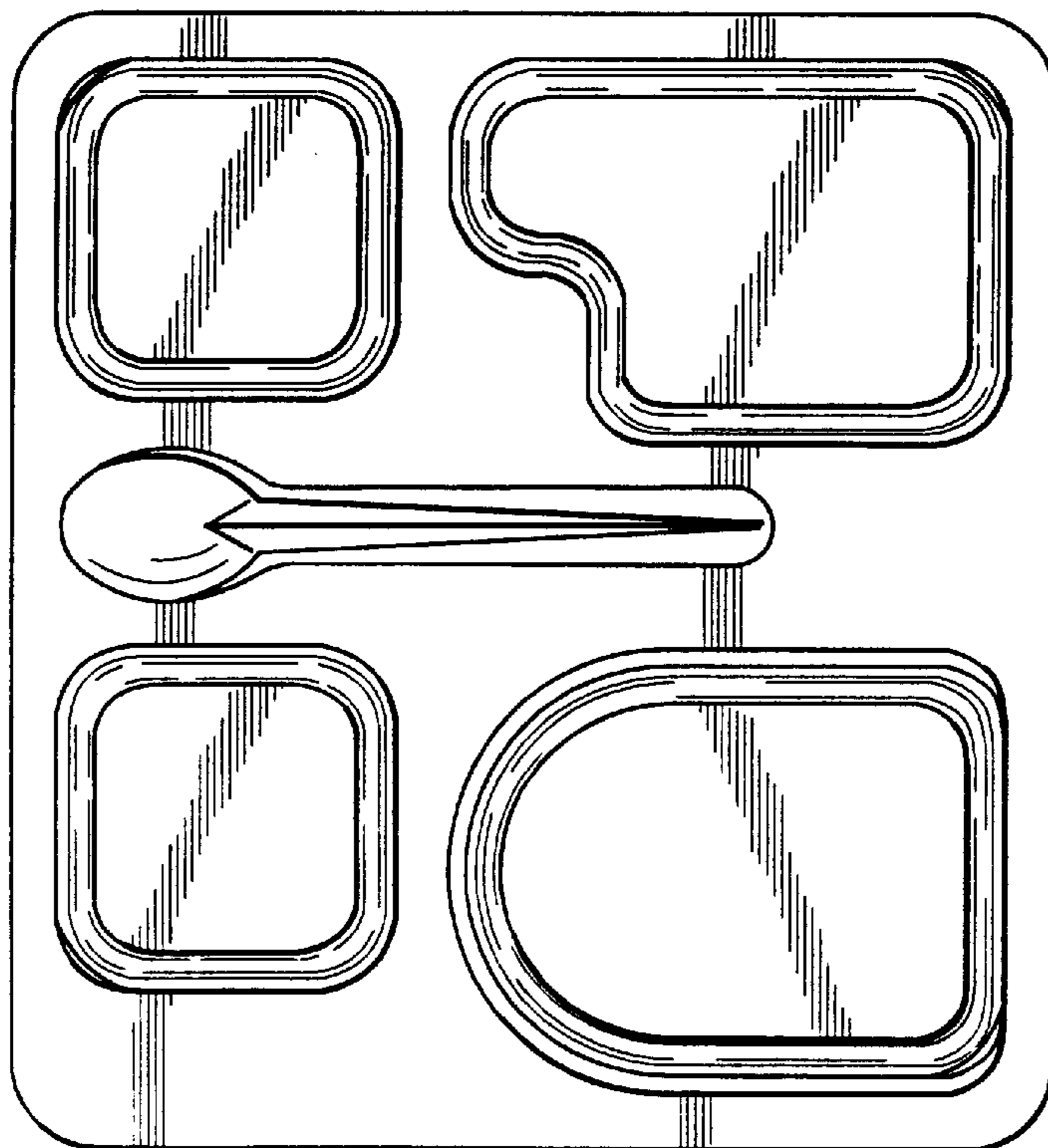


Fig. 4

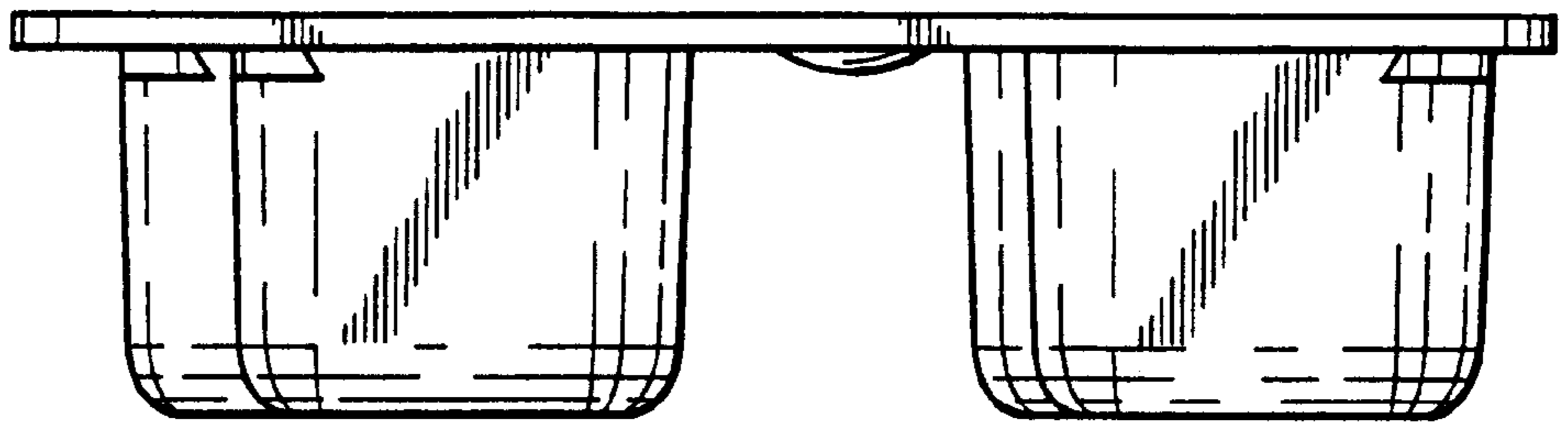


Fig. 5

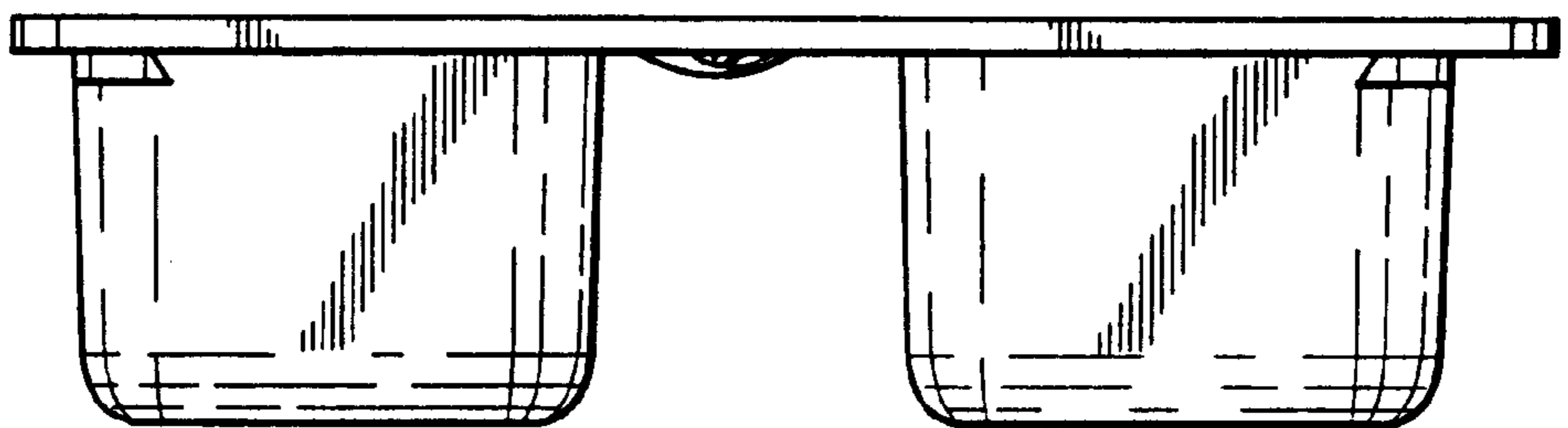


Fig. 6

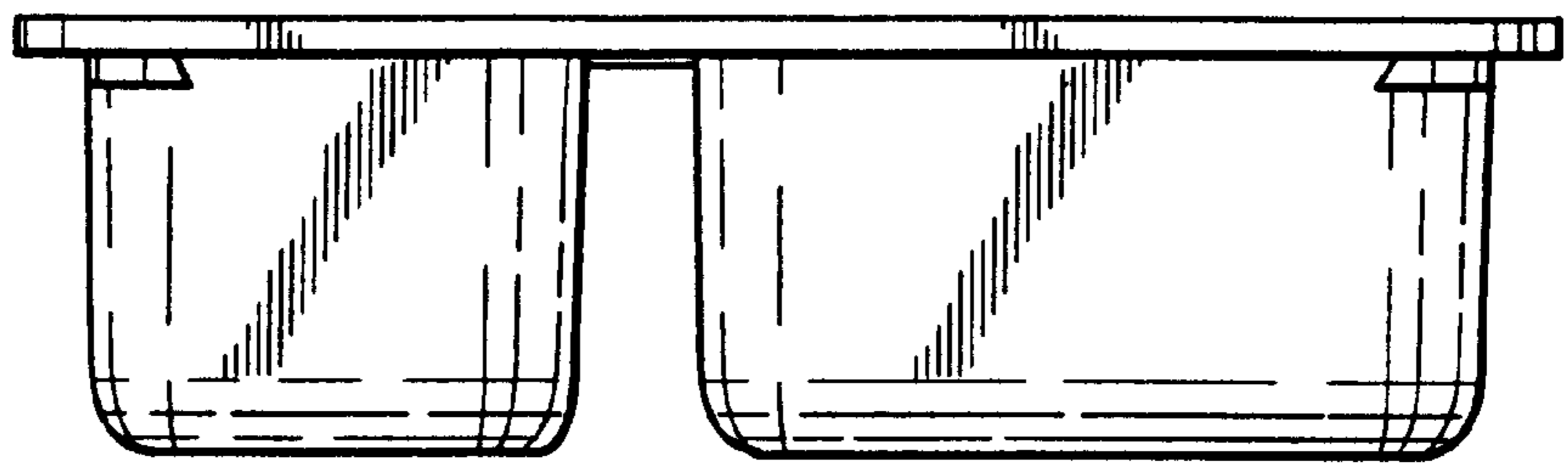


Fig. 7

