



US00D463966S

(12) **United States Design Patent**
Juhlin

(10) **Patent No.:** **US D463,966 S**

(45) **Date of Patent:** **** Oct. 8, 2002**

- (54) **HANDLE FOR A HAND SAW**
- (75) Inventor: **Oskar Juhlin**, Gustavsberg (SE)
- (73) Assignee: **Kapman AB**, Sandviken (SE)
- (**) Term: **14 Years**
- (21) Appl. No.: **29/136,343**
- (22) Filed: **Jan. 31, 2001**
- (51) **LOC (7) Cl.** **08-03**
- (52) **U.S. Cl.** **D8/97**
- (58) **Field of Search** D8/95, 96, 97,
D8/107; 30/505, 506, 507, 515, 517

- D405,673 S * 2/1999 Bidstrup et al. D8/107
- D440,856 S * 4/2001 Jimenez D8/107
- D442,458 S * 5/2001 Jimenez D8/107

* cited by examiner

Primary Examiner—Philip S. Hyder

(74) *Attorney, Agent, or Firm*—Burns, Doane, Swecker & Mathis, L.L.P.

(57) **CLAIM**

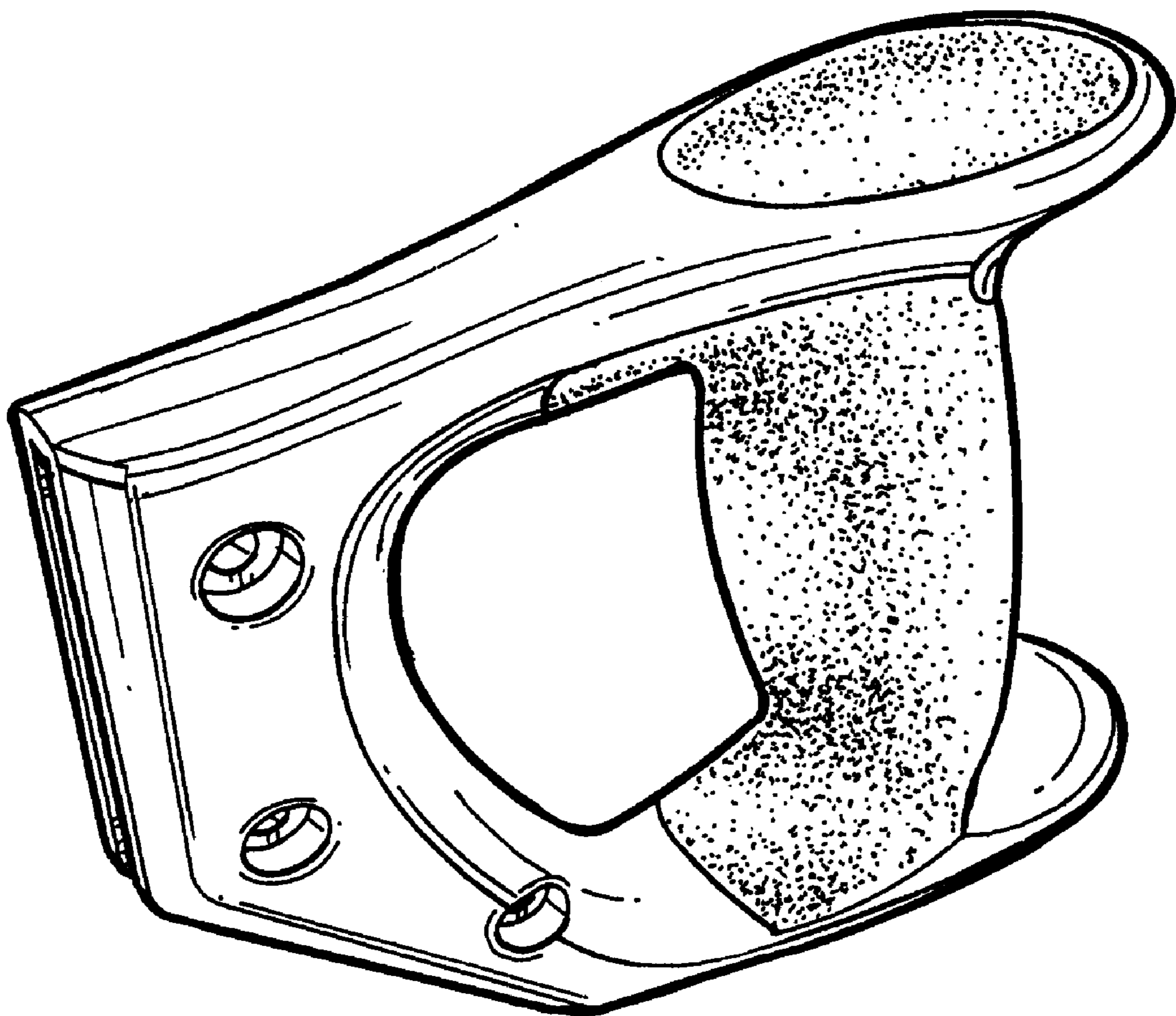
The ornamental design for a handle for a hand saw, as shown and described.

DESCRIPTION

FIG. 1 is a left side elevational view of a handle for a hand saw showing my new design;
 FIG. 2 is a bottom plan view thereof;
 FIG. 3 is a top plan view thereof;
 FIG. 4 is a rear elevational view thereof;
 FIG. 5 is a front elevational view thereof;
 FIG. 6 is a right side elevational view thereof; and,
 FIG. 7 is a top, side perspective view thereof.

- (56) **References Cited**
- U.S. PATENT DOCUMENTS**
- D141,906 S * 7/1945 Peterson D8/97
- D152,760 S * 2/1949 Weaver 30/525
- D317,395 S * 6/1991 Landahl D8/97
- D395,215 S * 6/1998 Siemion et al. D8/33
- D395,588 S * 6/1998 Davis et al. D8/97
- D397,283 S * 8/1998 Carratura D8/107

1 Claim, 2 Drawing Sheets



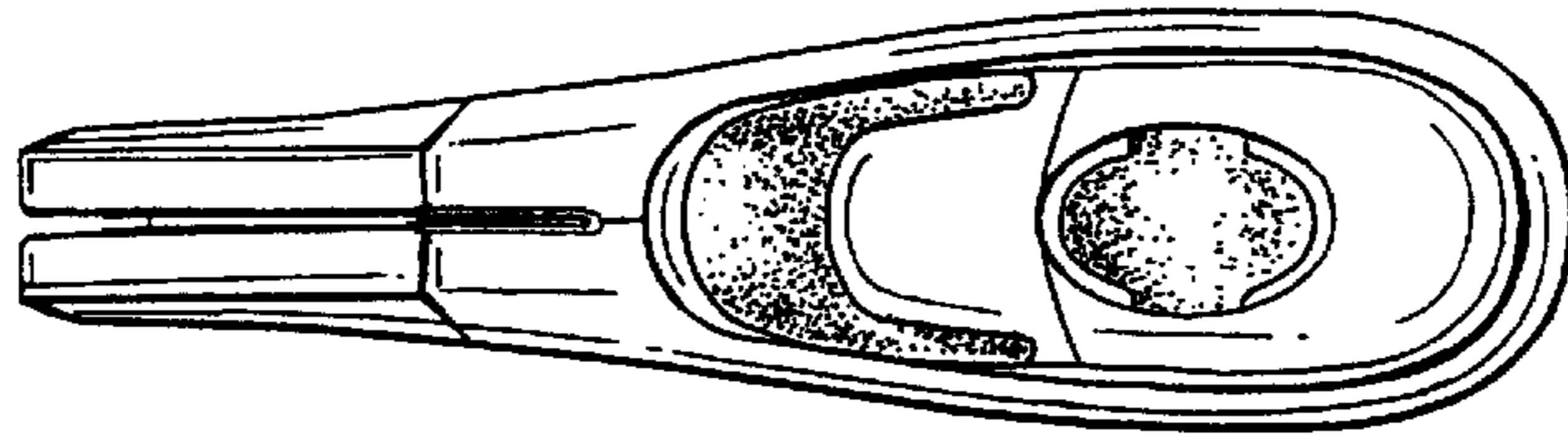


FIG. 2

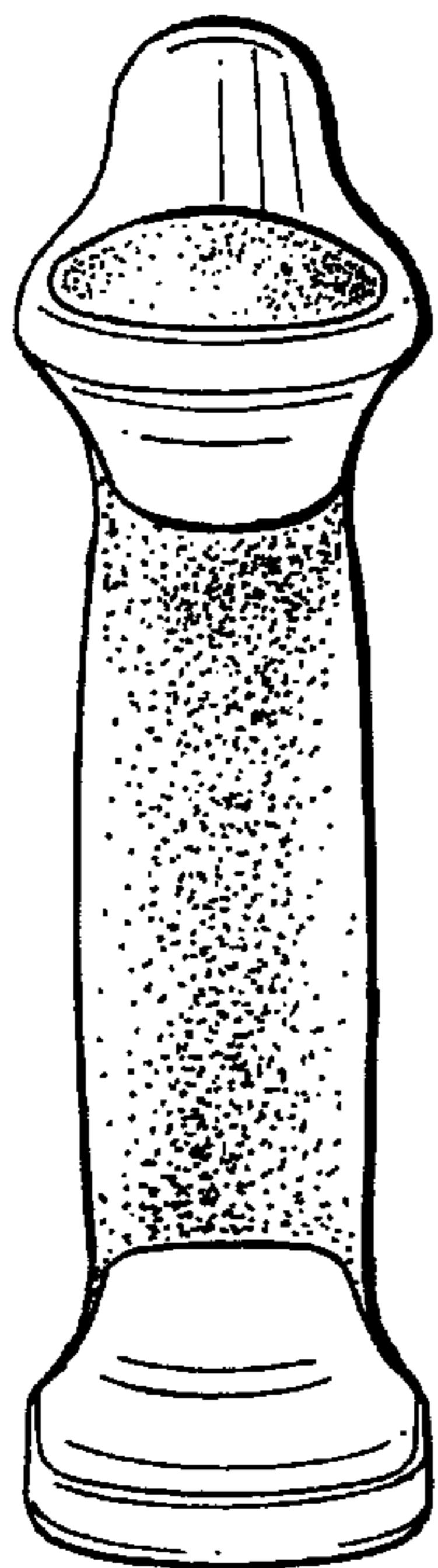


FIG. 4

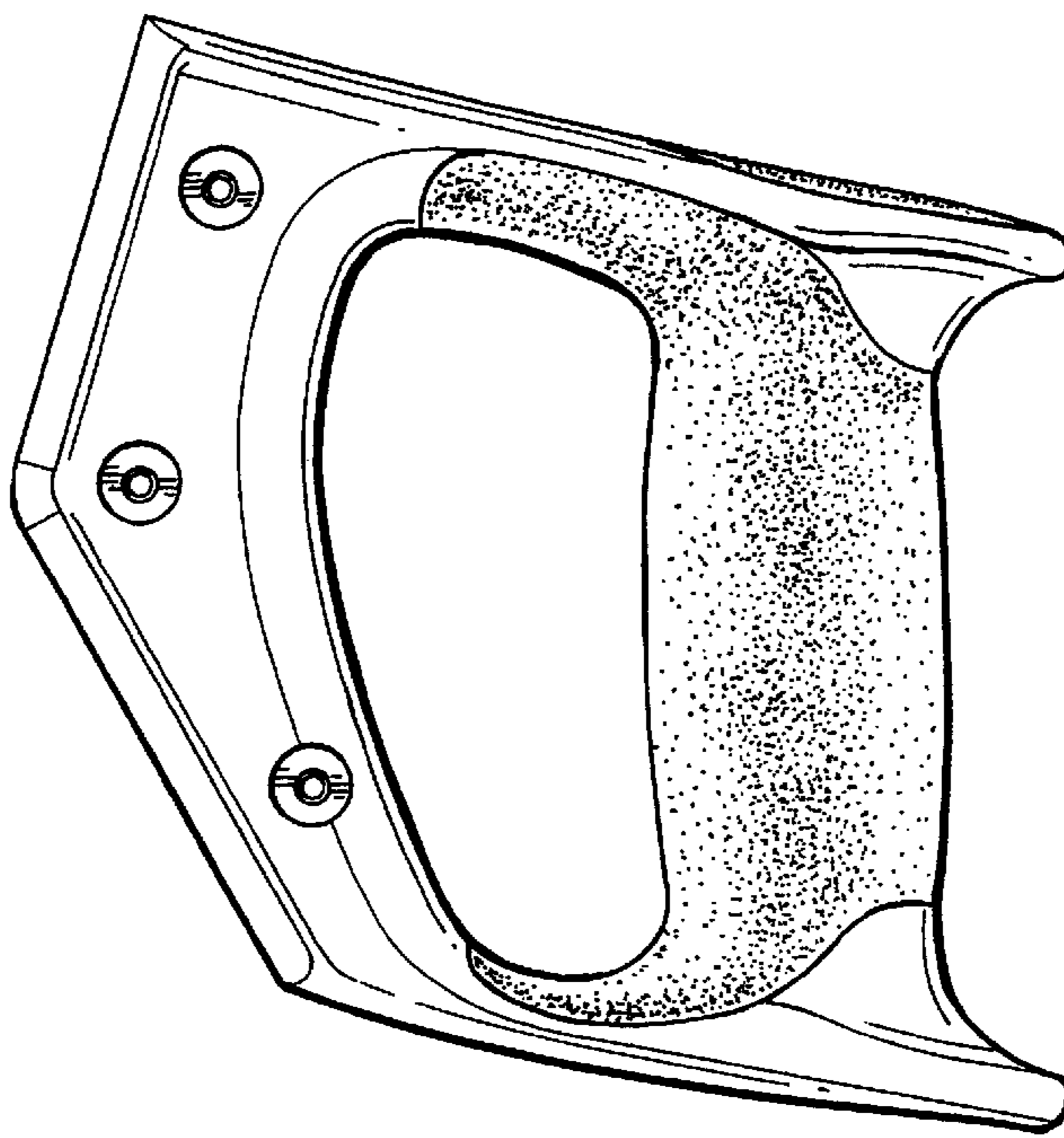


FIG. 1

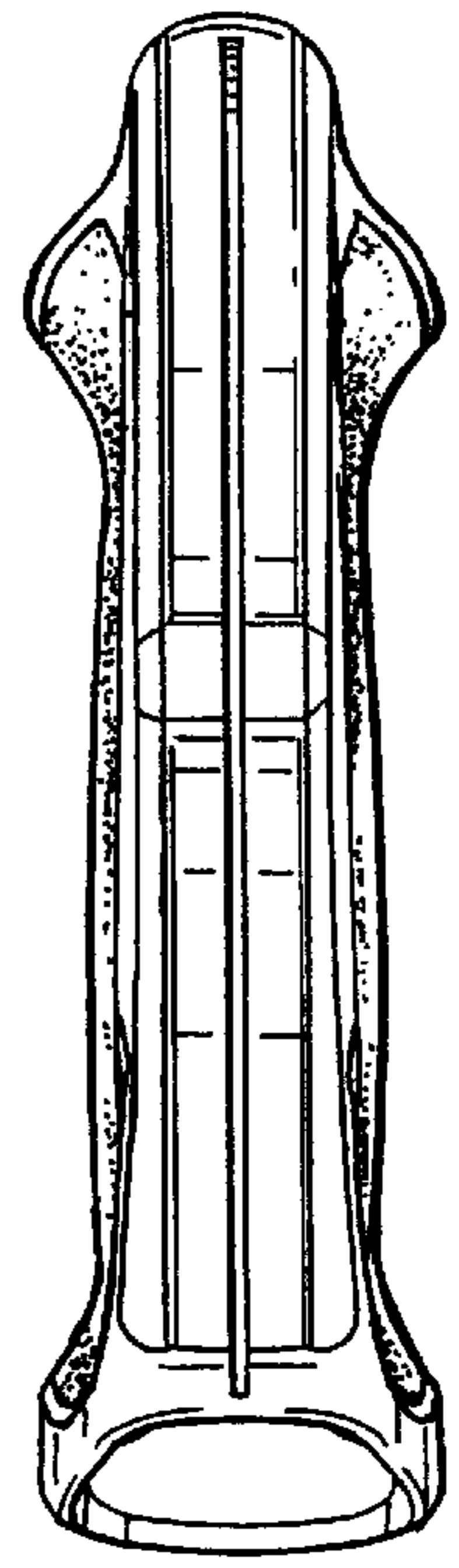


FIG. 5

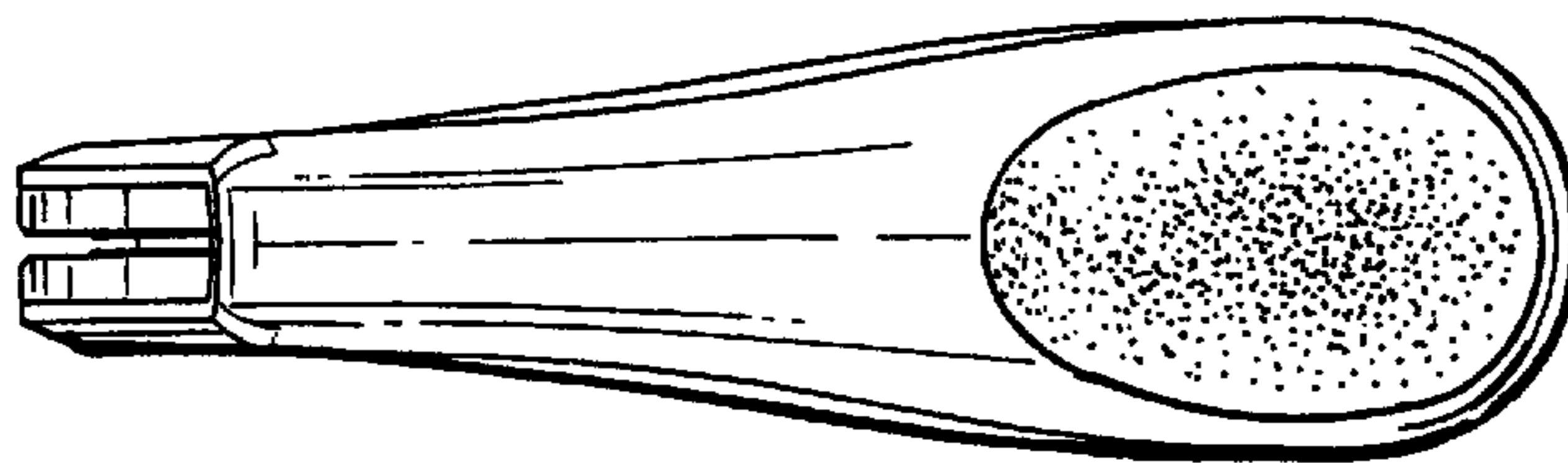


FIG. 3

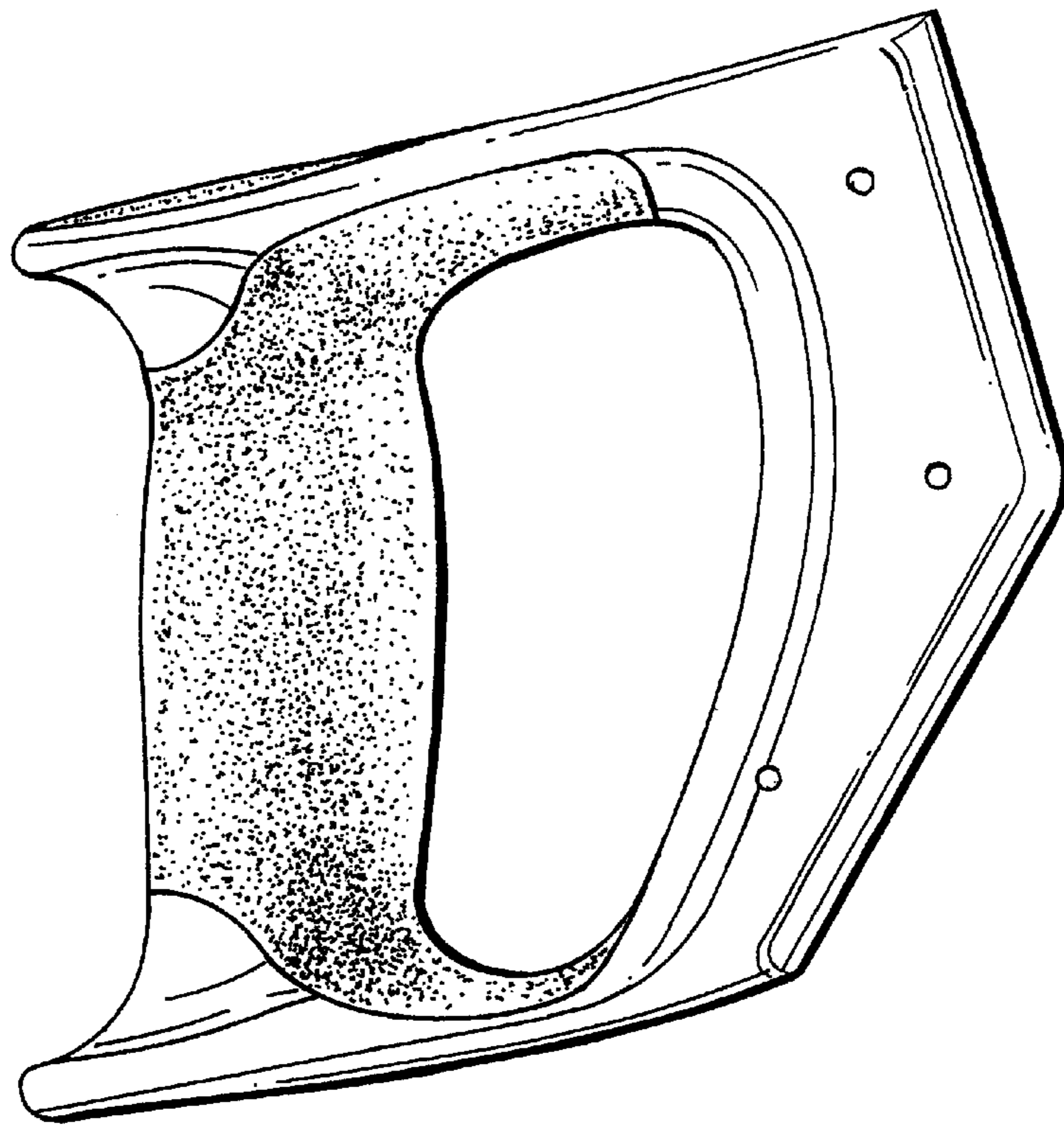


FIG. 6

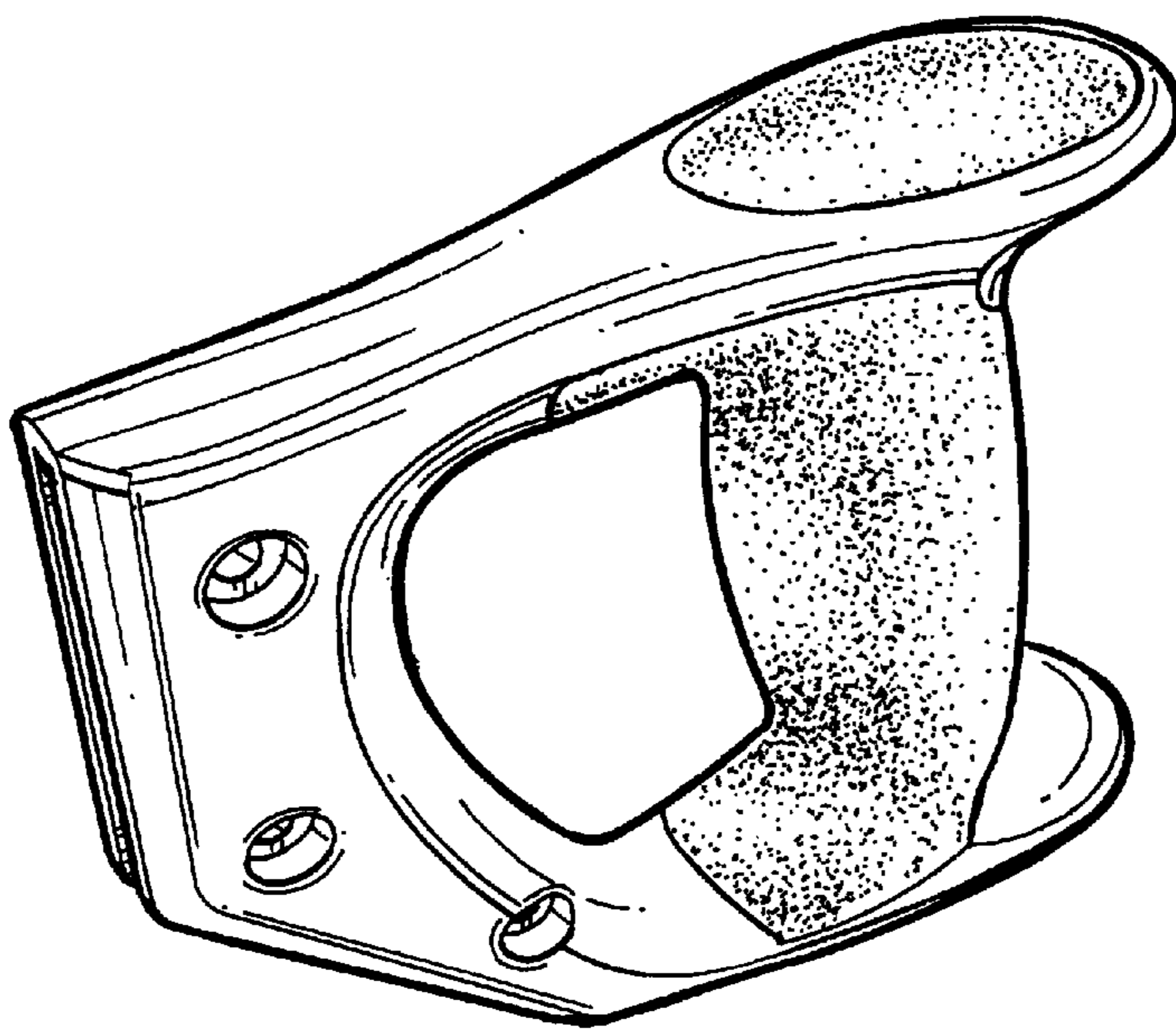


FIG. 7