



US00D463964S

(12) **United States Design Patent**
Oh

(10) **Patent No.:** **US D463,964 S**

(45) **Date of Patent:** **** Oct. 8, 2002**

(54) **HEAD CAP FOR HAND CARRY AIR TACKER**

(76) **Inventor:** **Wang Keaun Oh**, 252-6
Yulhyeon-dong Kangnam-gu, Seoul
(KR)

(**) **Term:** **14 Years**

(21) **Appl. No.:** **29/124,525**

(22) **Filed:** **Jun. 7, 2000**

(30) **Foreign Application Priority Data**

Apr. 20, 2000 (KR) 2000-10201

(51) **LOC (7) Cl.** **08-05**

(52) **U.S. Cl.** **D8/70**

(58) **Field of Search** D8/61-70; 81/57.11,
81/54, 57.42; 173/170, 217, 168; 227/130,
109, 10, 8, 151, 120, 123

(56) **References Cited**

U.S. PATENT DOCUMENTS

D334,329 S * 3/1993 Ogawa et al. D8/68
D337,252 S * 7/1993 Tsuru et al. D8/69
D353,664 S * 12/1994 Eminger et al. D8/69

D379,912 S * 6/1997 Burke et al. D8/68
5,881,941 A * 3/1999 Lai 227/130
6,024,269 A * 2/2000 Ho et al. 227/130
6,059,166 A * 5/2000 Ho et al. 227/130
6,059,167 A * 5/2000 Ho et al. 227/130
6,089,436 A * 7/2000 Ho et al. 227/130
D433,908 S * 11/2000 Kaiser D8/69
D435,770 S * 1/2001 Arai D8/68

* cited by examiner

Primary Examiner—Jeffrey Asch

(74) *Attorney, Agent, or Firm*—Cheryl H. Agris

(57) **CLAIM**

The ornamental design for head cap for a hand carry air tacker, as shown and described.

DESCRIPTION

FIG. 1 is a perspective view of the headcap for hand carry air tacker showing my new design.

FIG. 2 is a front view.

FIG. 3 is a back view.

FIG. 4 is a flat view.

FIG. 5 is a left side view; and,

FIG. 6 is a right side view.

1 Claim, 4 Drawing Sheets

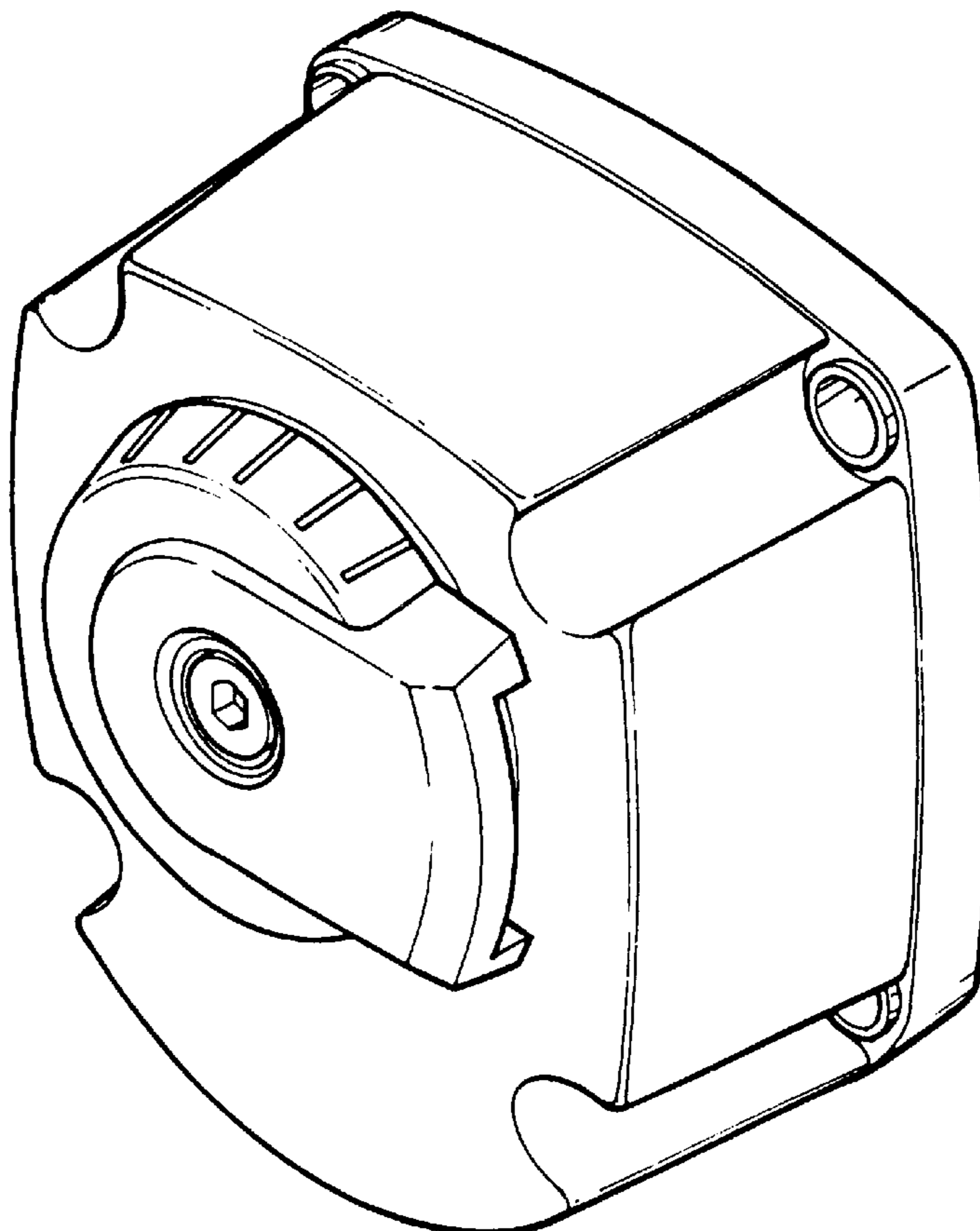


FIG. 1

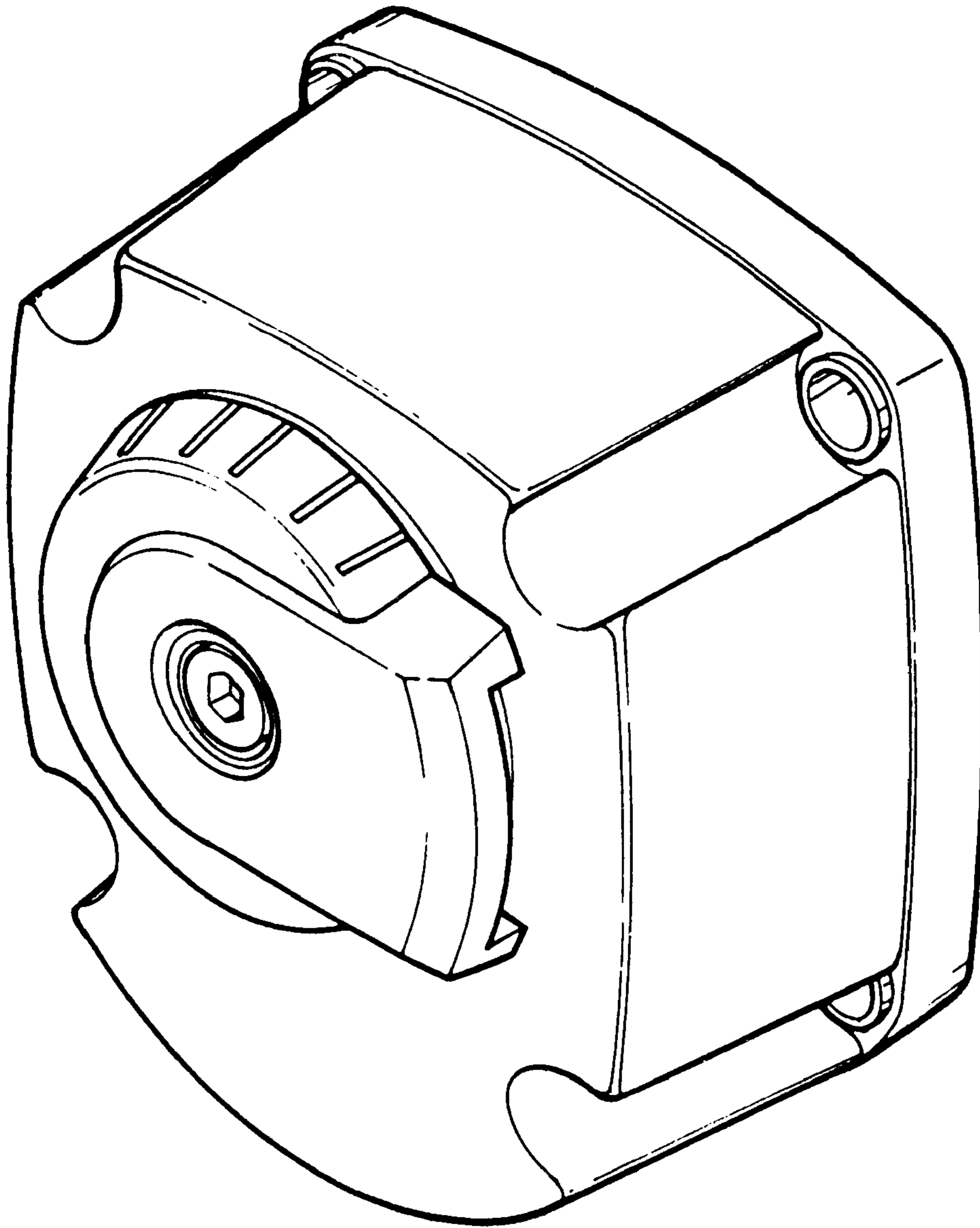


FIG. 3

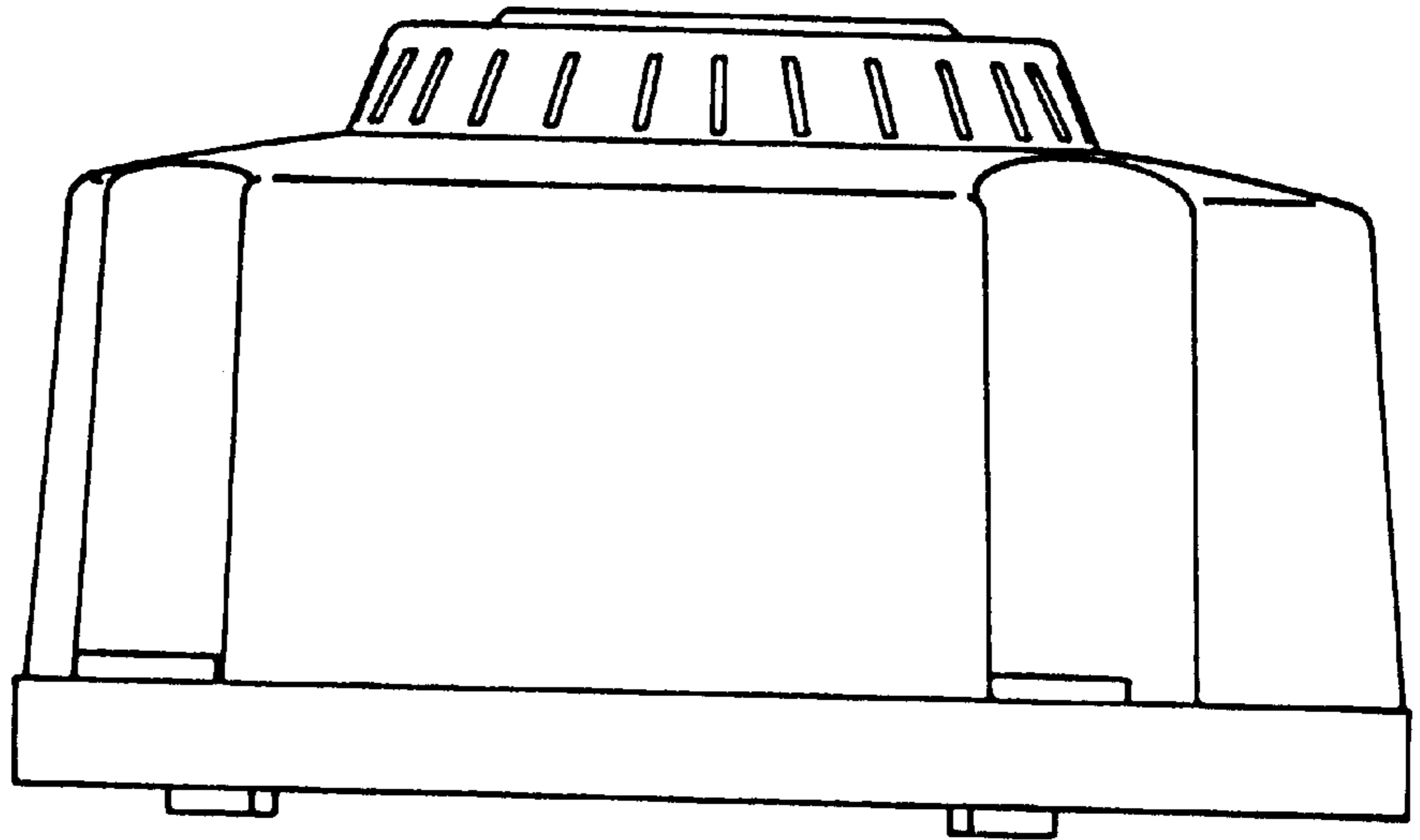


FIG. 2

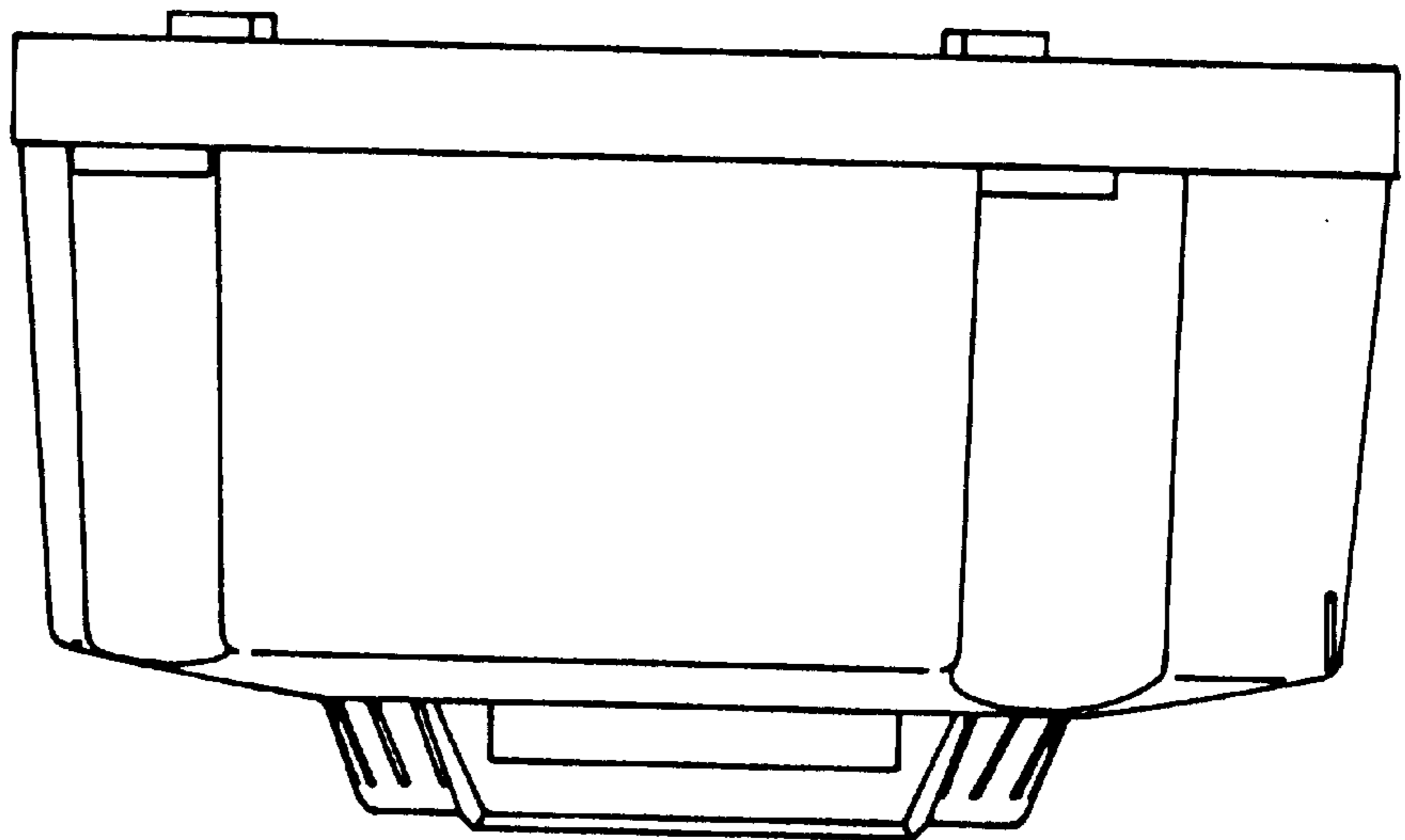


FIG. 4

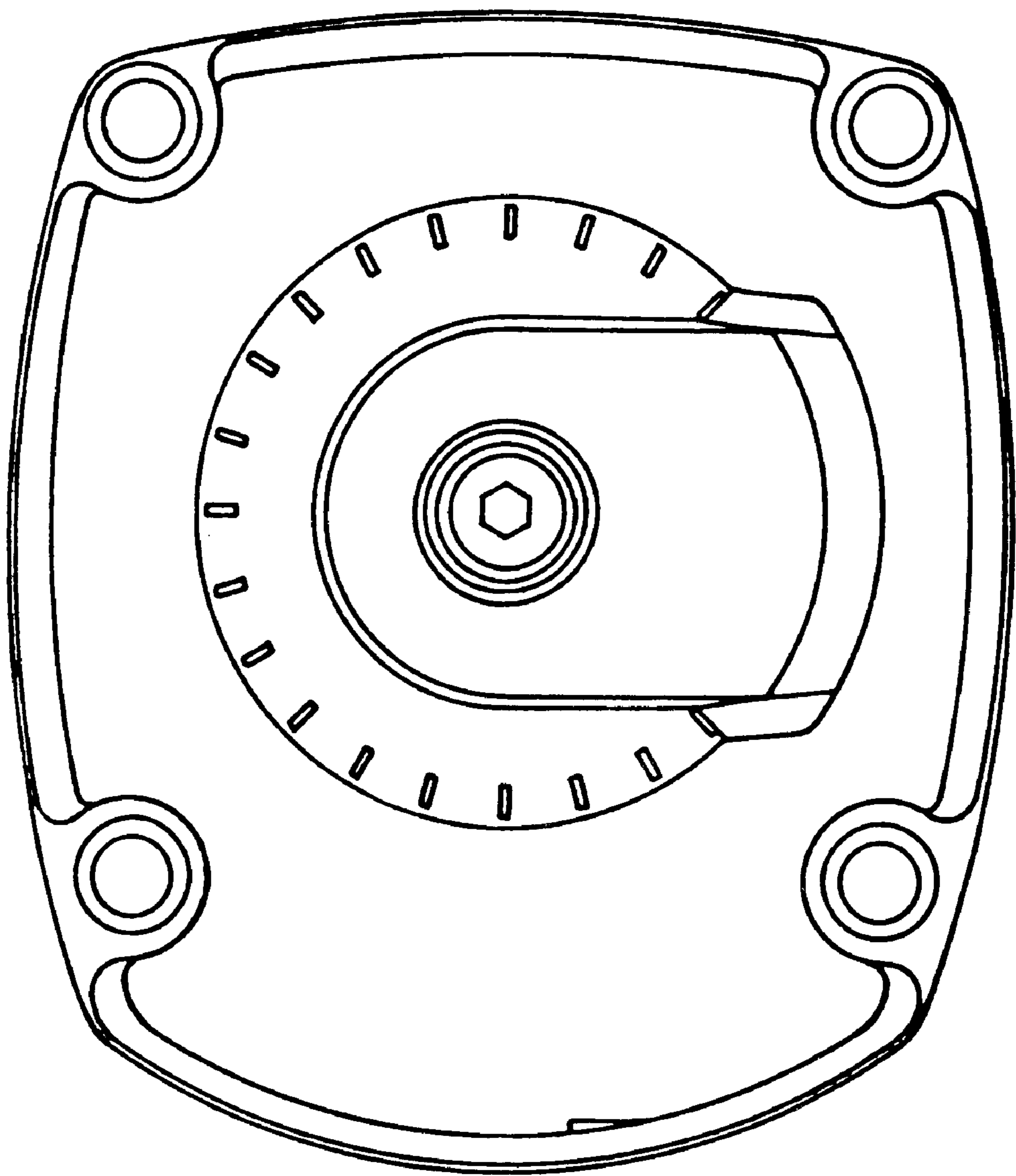


FIG. 5

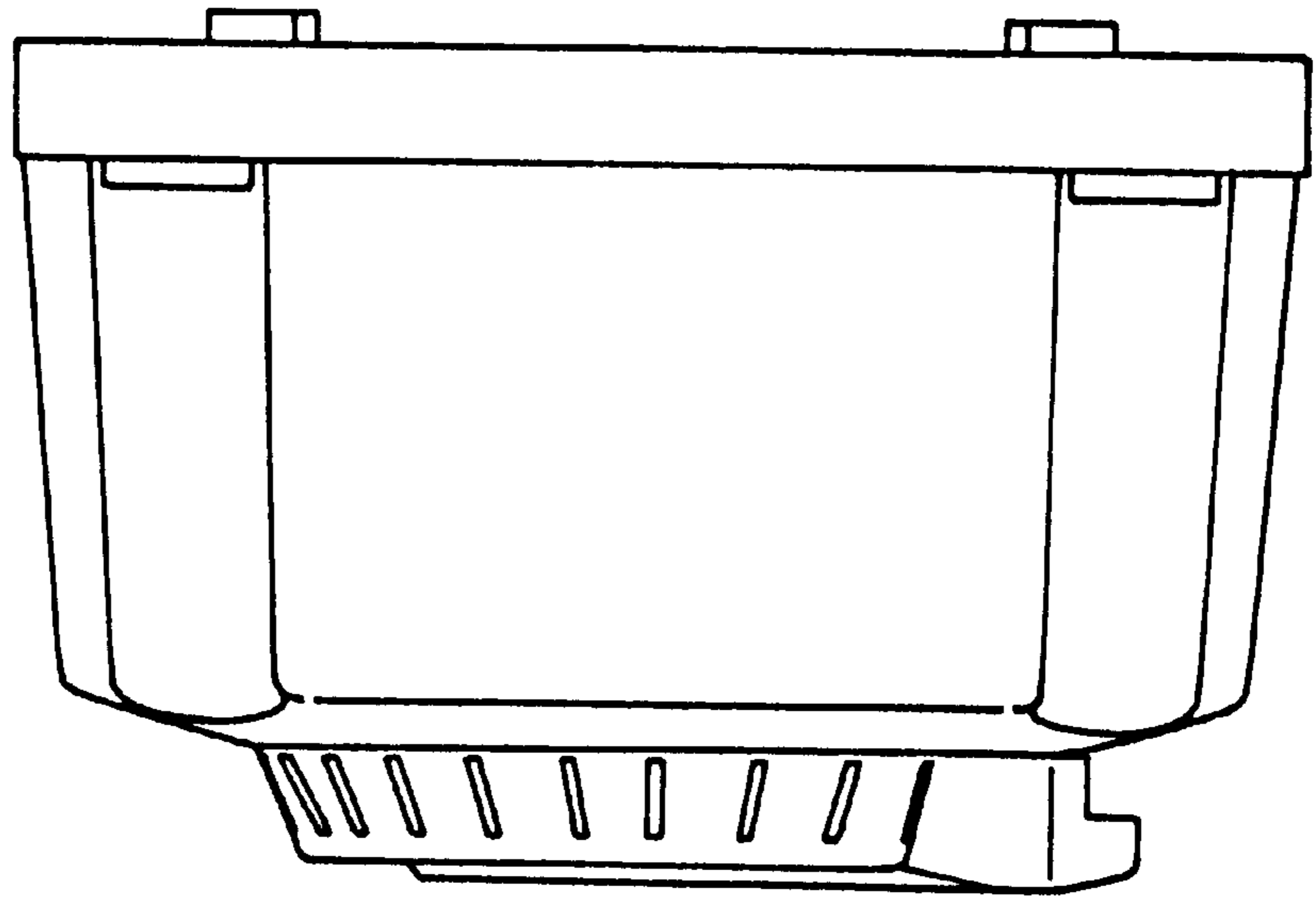


FIG. 6

