



US00D463961S

(12) **United States Design Patent**
Hoshyla

(10) **Patent No.:** **US D463,961 S**

(45) **Date of Patent:** **** Oct. 8, 2002**

(54) **GUTTER DEBRIS REMOVAL SCOOP**

6,139,077 A * 10/2000 Molzan, II 249/19.1

(76) Inventor: **Paul R. Hoshyla**, 42 Grant Blvd.,
Hampton Bays, NY (US) 11946

* cited by examiner

(**) Term: **14 Years**

Primary Examiner—Pamela Burgess

(74) *Attorney, Agent, or Firm*—Donald R. Schoonover

(21) Appl. No.: **29/149,385**

(57) **CLAIM**

(22) Filed: **Oct. 10, 2001**

I claim the ornamental design for a gutter debris removal scoop, as shown and described.

(51) **LOC (7) Cl.** **08-01**

DESCRIPTION

(52) **U.S. Cl.** **D8/10; D32/35**

(58) **Field of Search** D8/1, 10; 401/137,
401/139, 261, 289; 239/532; 294/19.1;
15/236.04; D32/35

FIG. 1 is a perspective view of a gutter debris removal scoop showing my new design;

FIG. 2 is a front elevational view thereof;

FIG. 3 is a rear elevational view thereof;

FIG. 4 is a left side elevational view thereof;

FIG. 5 is a right side elevational view thereof;

FIG. 6 is a top plan view thereof; and,

FIG. 7 is a bottom plan view thereof.

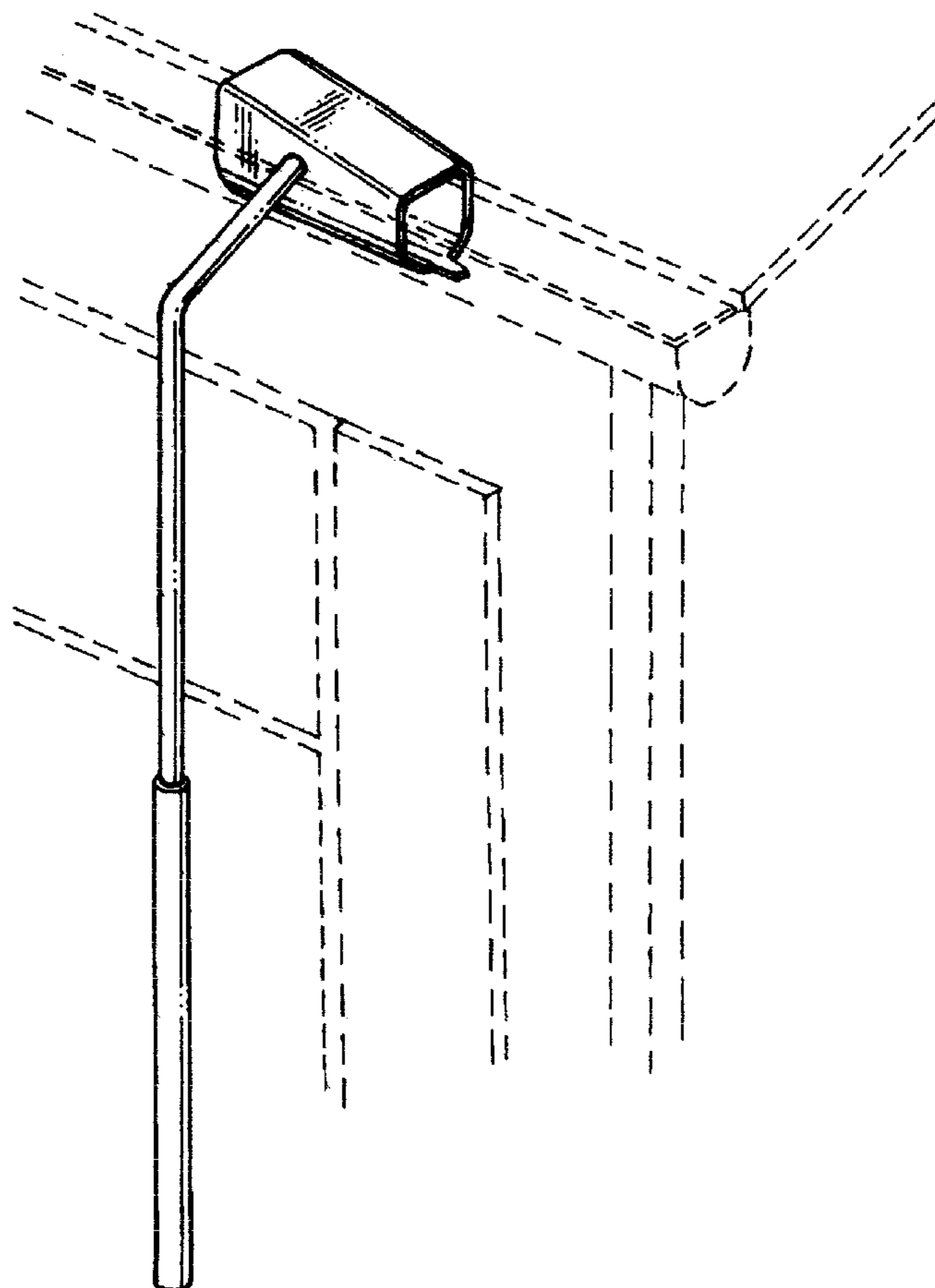
(56) **References Cited**

U.S. PATENT DOCUMENTS

- 4,304,498 A * 12/1981 George 15/236.04
- 4,319,851 A * 3/1982 Arthur 401/137
- 4,750,883 A 6/1988 Drake
- 5,288,118 A 2/1994 Hartselle, III
- 5,402,853 A * 4/1995 Tauber 294/19.1
- 5,727,580 A 3/1998 Patterson
- 5,988,715 A 11/1999 Mason

The broken line showing of environmental structure is for illustrative purposes only and forms no part of the claimed design.

1 Claim, 3 Drawing Sheets



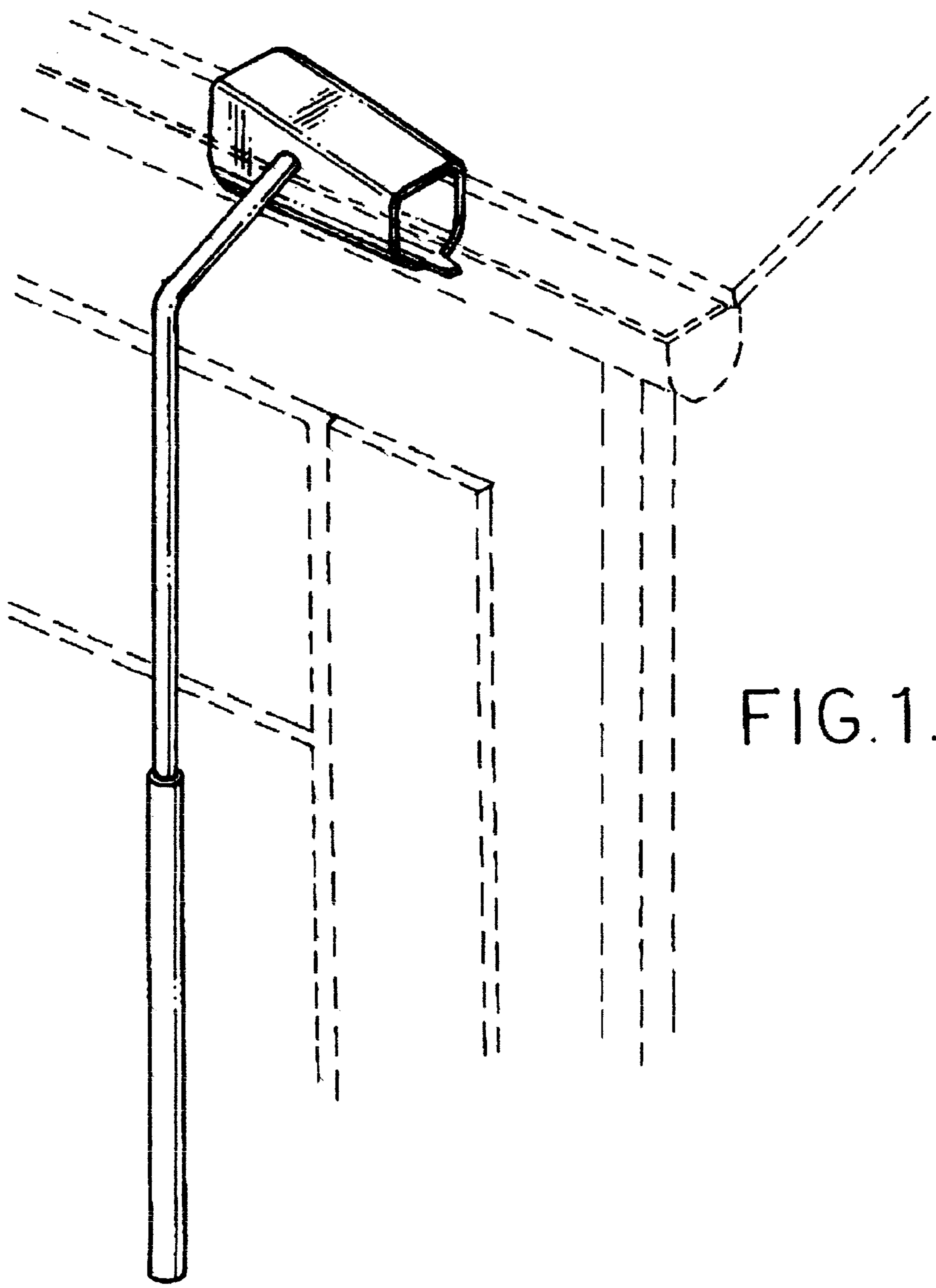


FIG. 1.

FIG. 2.

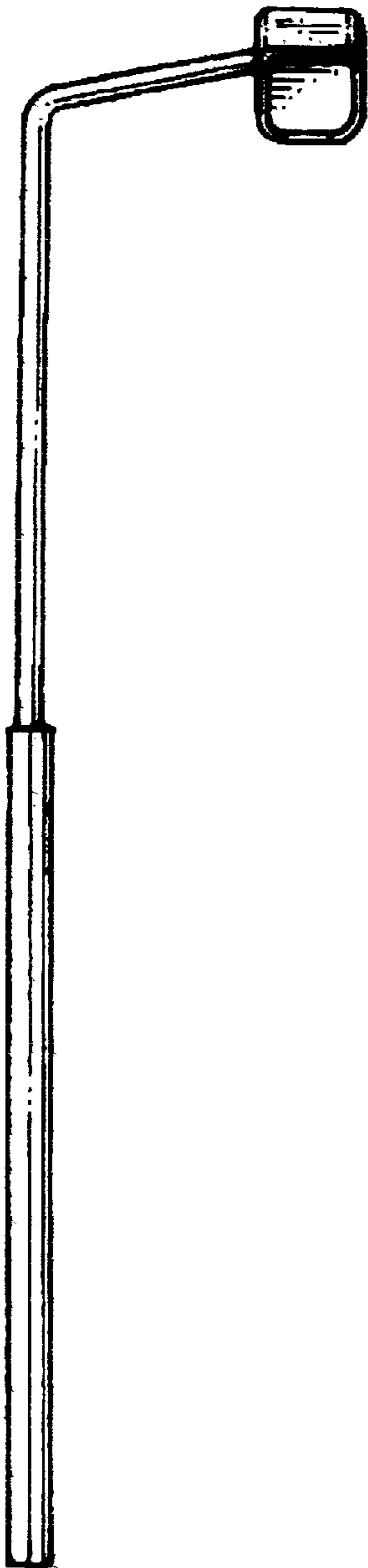


FIG. 5.

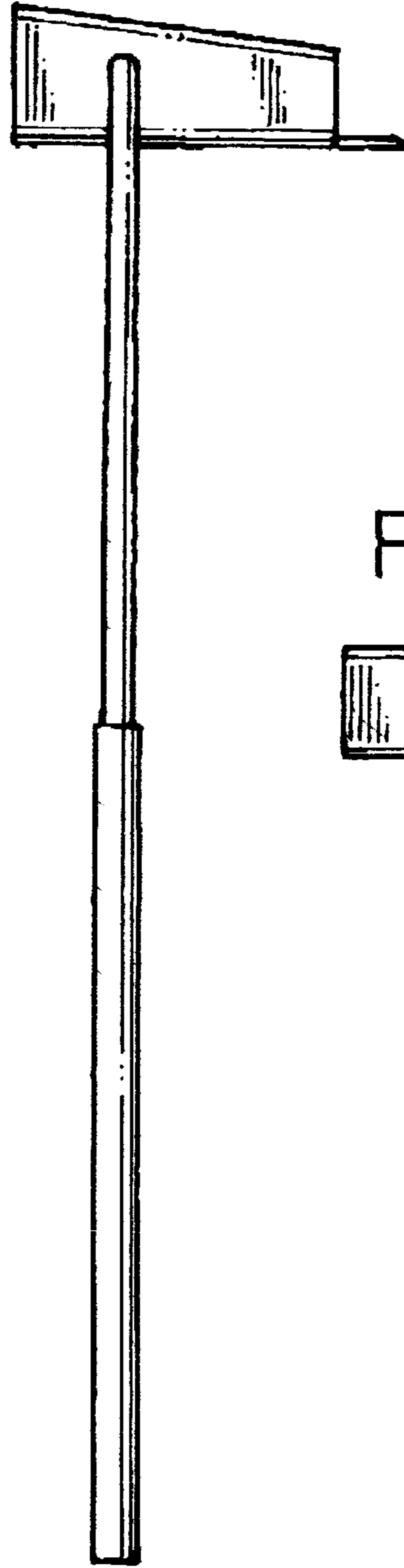


FIG. 6.

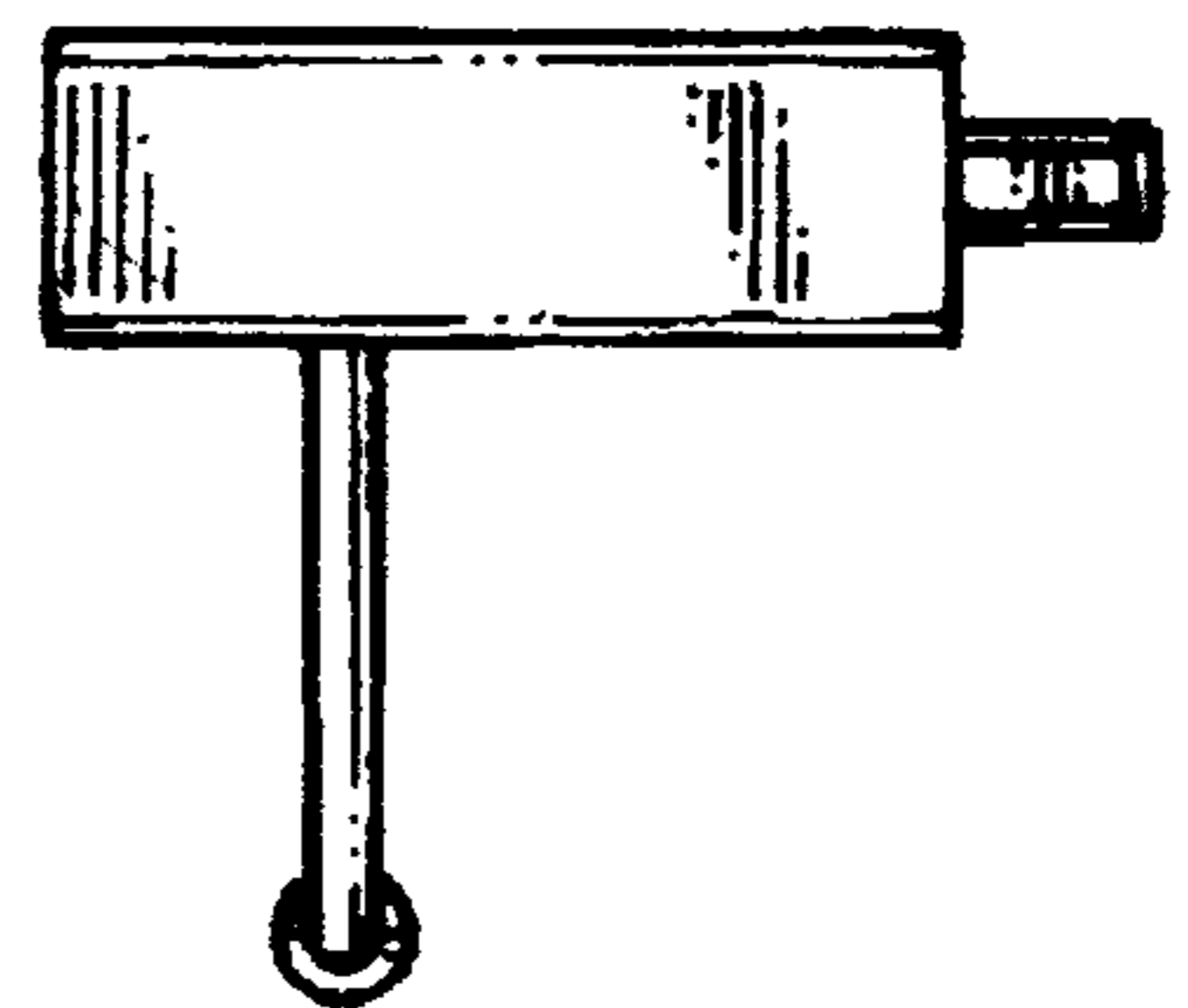


FIG. 3.

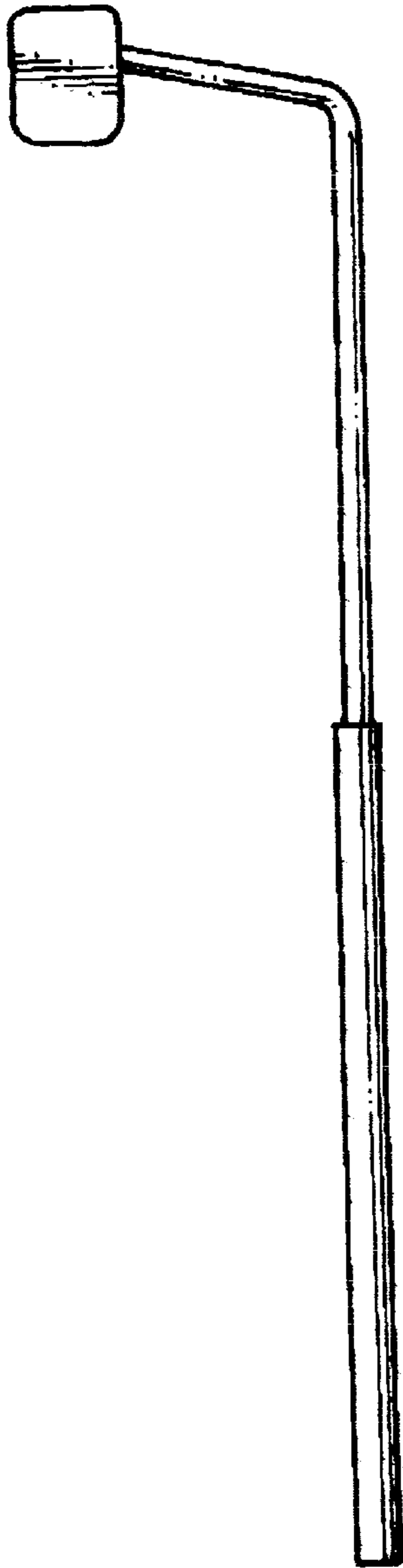


FIG. 4.

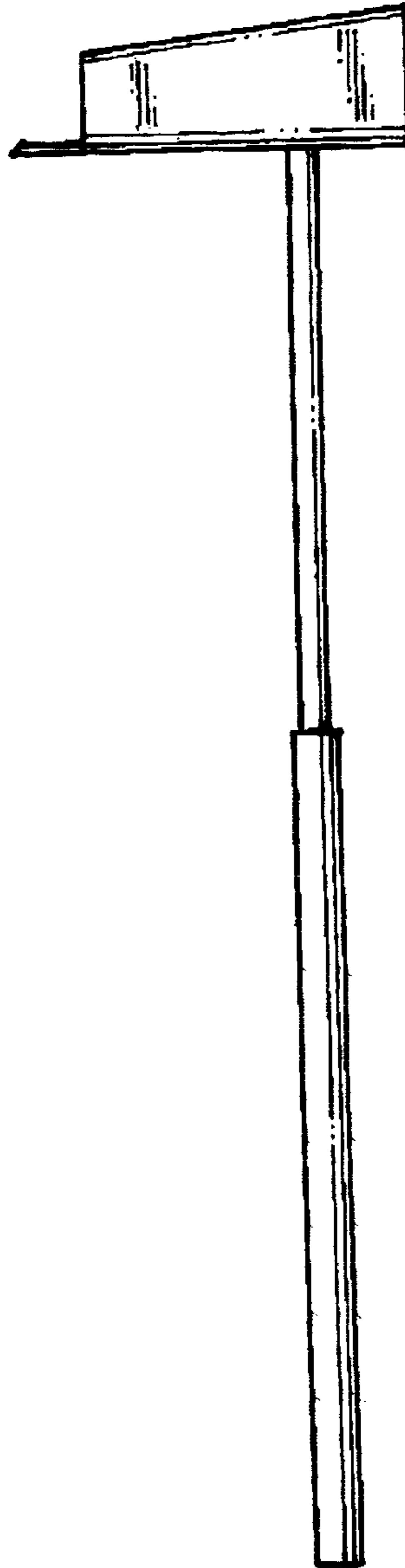


FIG. 7.

