



US00D463959S

(12) **United States Design Patent**
Weibel

(10) **Patent No.:** **US D463,959 S**

(45) **Date of Patent:** **** Oct. 8, 2002**

(54) **CHOPPER**

D378,182 S * 2/1997 Wong D7/693
D414,384 S * 9/1999 Schulein D7/693

(75) Inventor: **Hans Weibel**, Schüpfen (CH)

* cited by examiner

(73) Assignee: **Zyliss Haushaltwaren AG**, Lyss (CH)

Primary Examiner—Terry A. Wallace

(**) Term: **14 Years**

(74) *Attorney, Agent, or Firm*—Sidley Austin Brown & Wood, LLP

(21) Appl. No.: **29/146,236**

(57) **CLAIM**

(22) Filed: **Aug. 7, 2001**

The ornamental design for a chopper, as shown and described.

(30) **Foreign Application Priority Data**

Feb. 7, 2001 (CH) 127708

DESCRIPTION

(51) **LOC (7) Cl.** **07-04**

FIG. 1 is a front elevation view of a chopper showing my new design, the opposite side being the same;

(52) **U.S. Cl.** **D7/693**

FIG. 2 is a left side elevation view thereof, the opposite side being the same;

(58) **Field of Search** D7/381, 412, 693;
83/556; 241/168, 169.1, 169.2, 169, 272,
282.1, 282.2

FIG. 3 is a left side elevation view of FIG. 2 with the base removed for clarity of illustration;

(56) **References Cited**

FIG. 4 is a top perspective view of FIG. 1;

U.S. PATENT DOCUMENTS

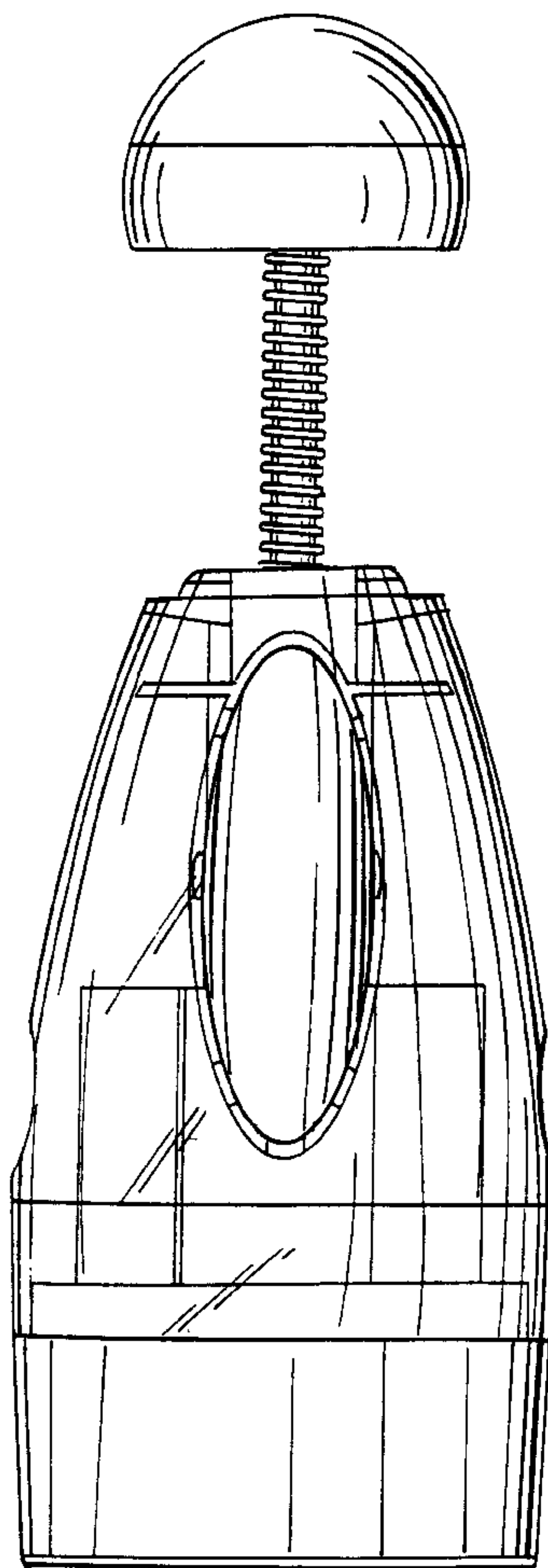
3,083,747 A * 4/1963 Zysset 241/272
3,933,315 A * 1/1976 Popeil 241/169 X
D331,170 S * 11/1992 Greiner D7/693

FIG. 5 is a bottom perspective view of FIG. 3; and,

FIG. 6 is a top plan view of FIG. 1.

The undisclosed bottom view is plane and unornamented.

1 Claim, 4 Drawing Sheets



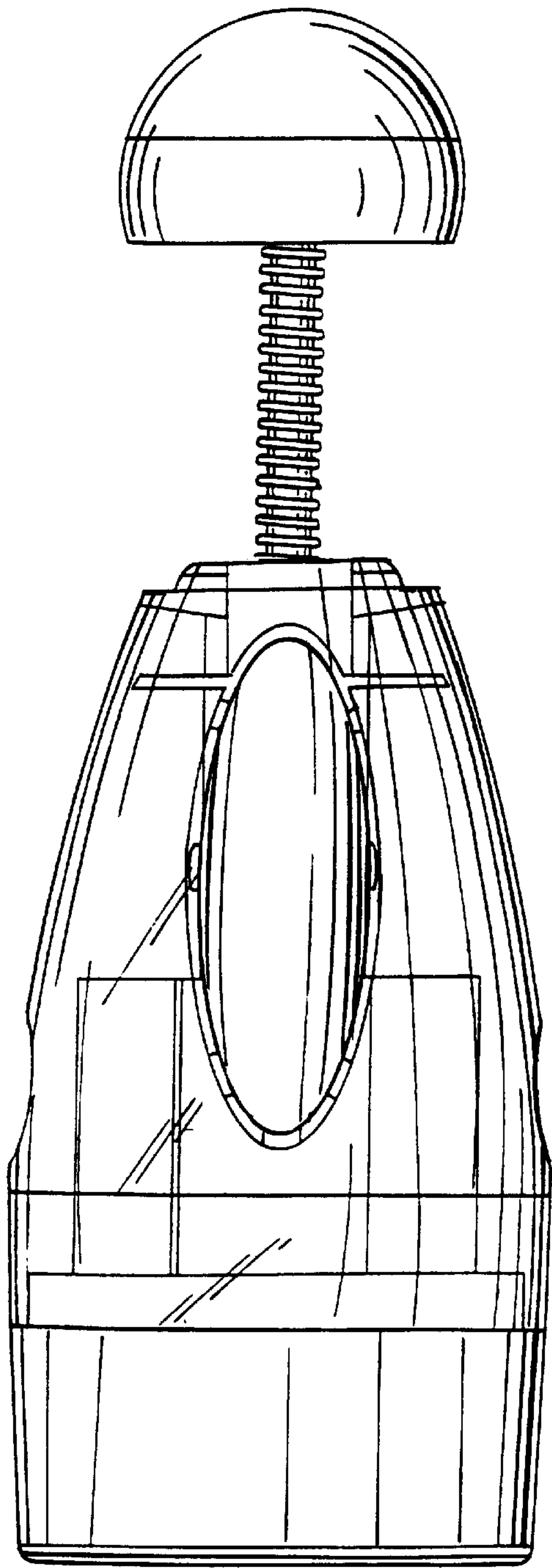


FIG. 1

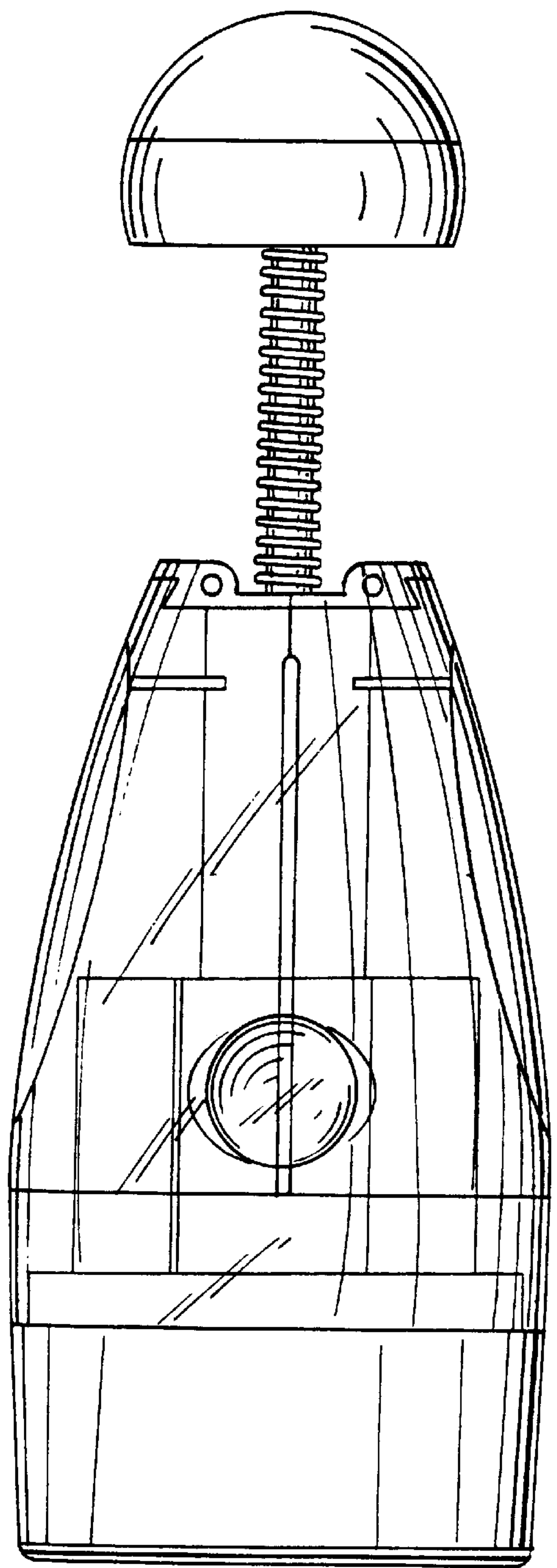


FIG. 2

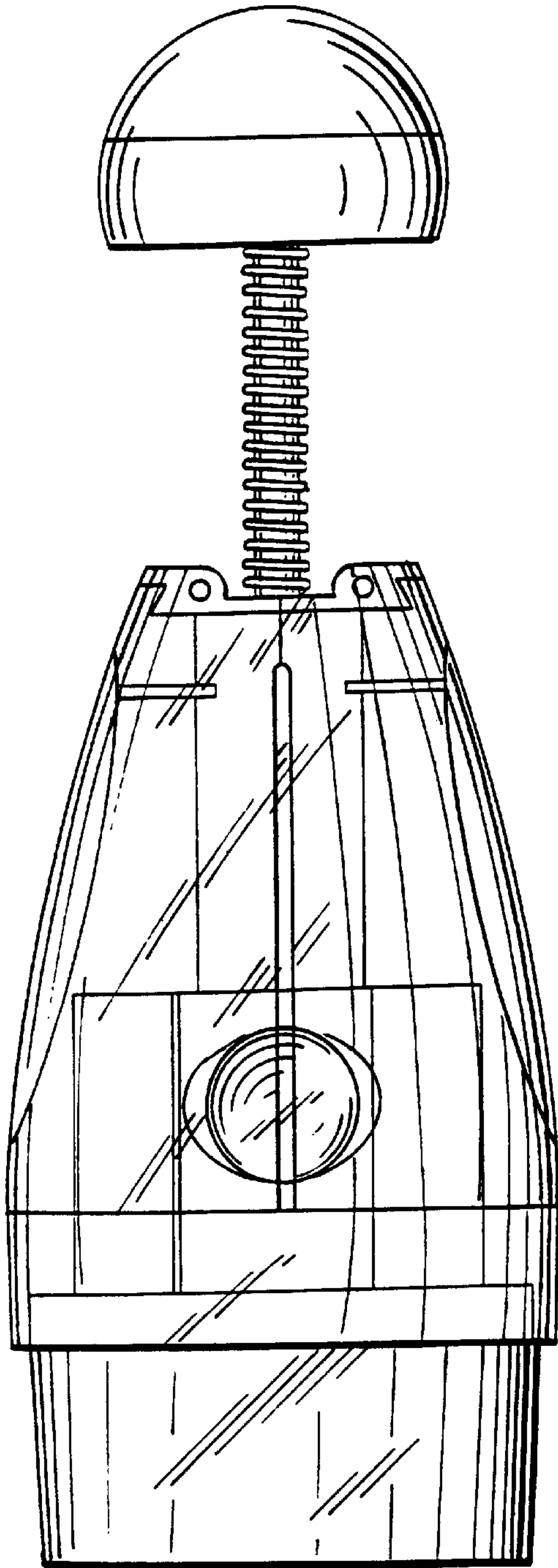


FIG.3

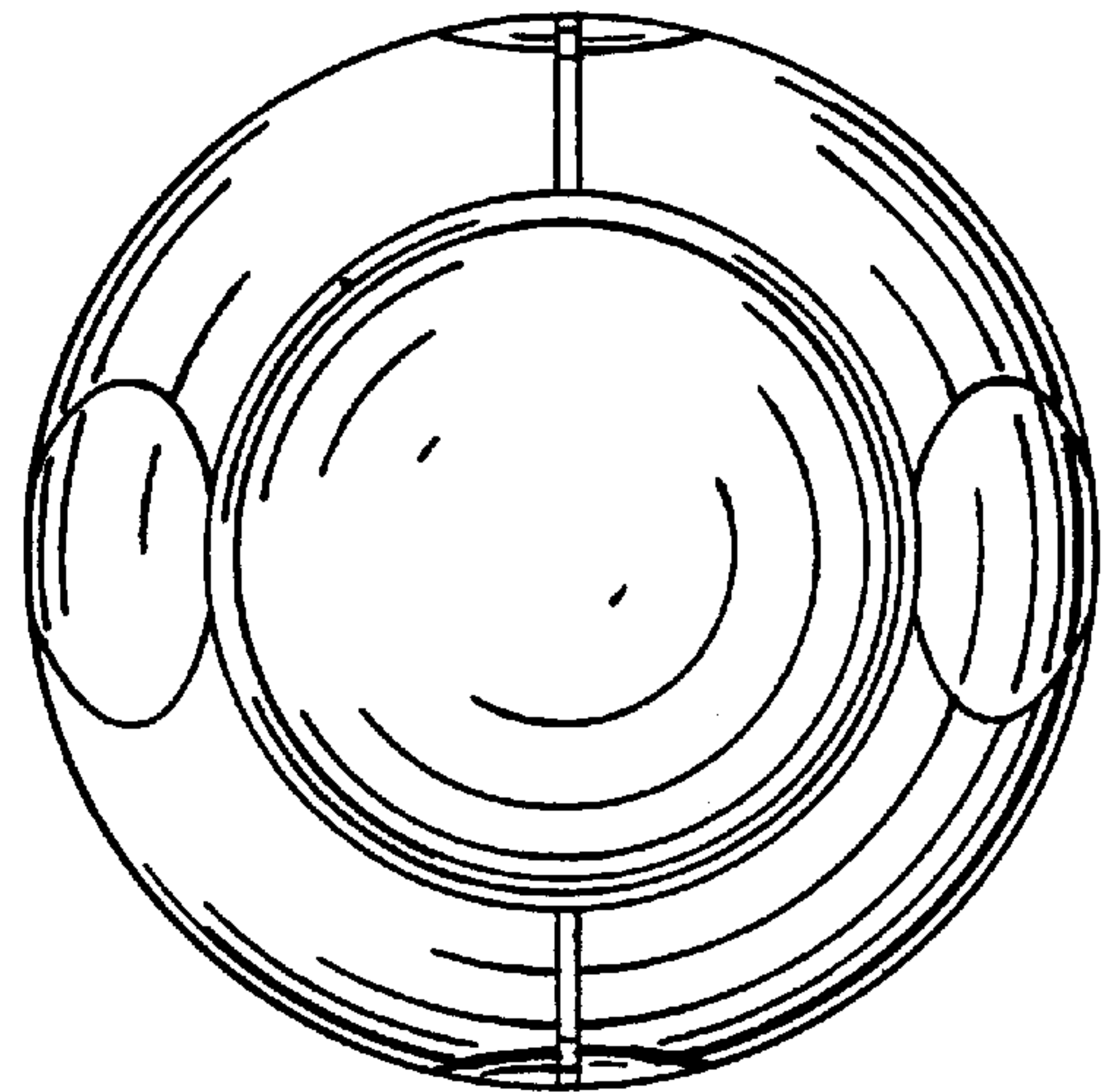


FIG.6

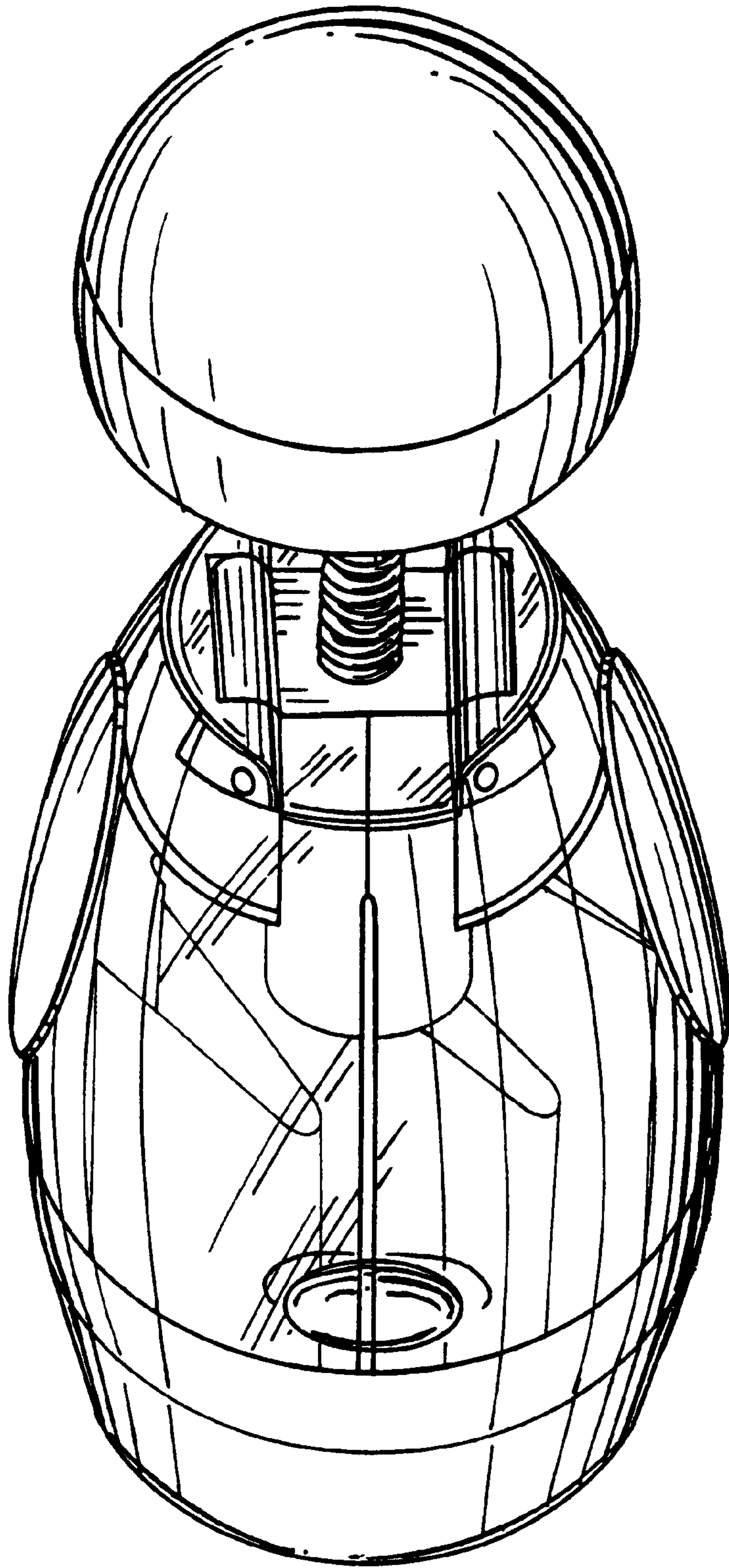


FIG.4

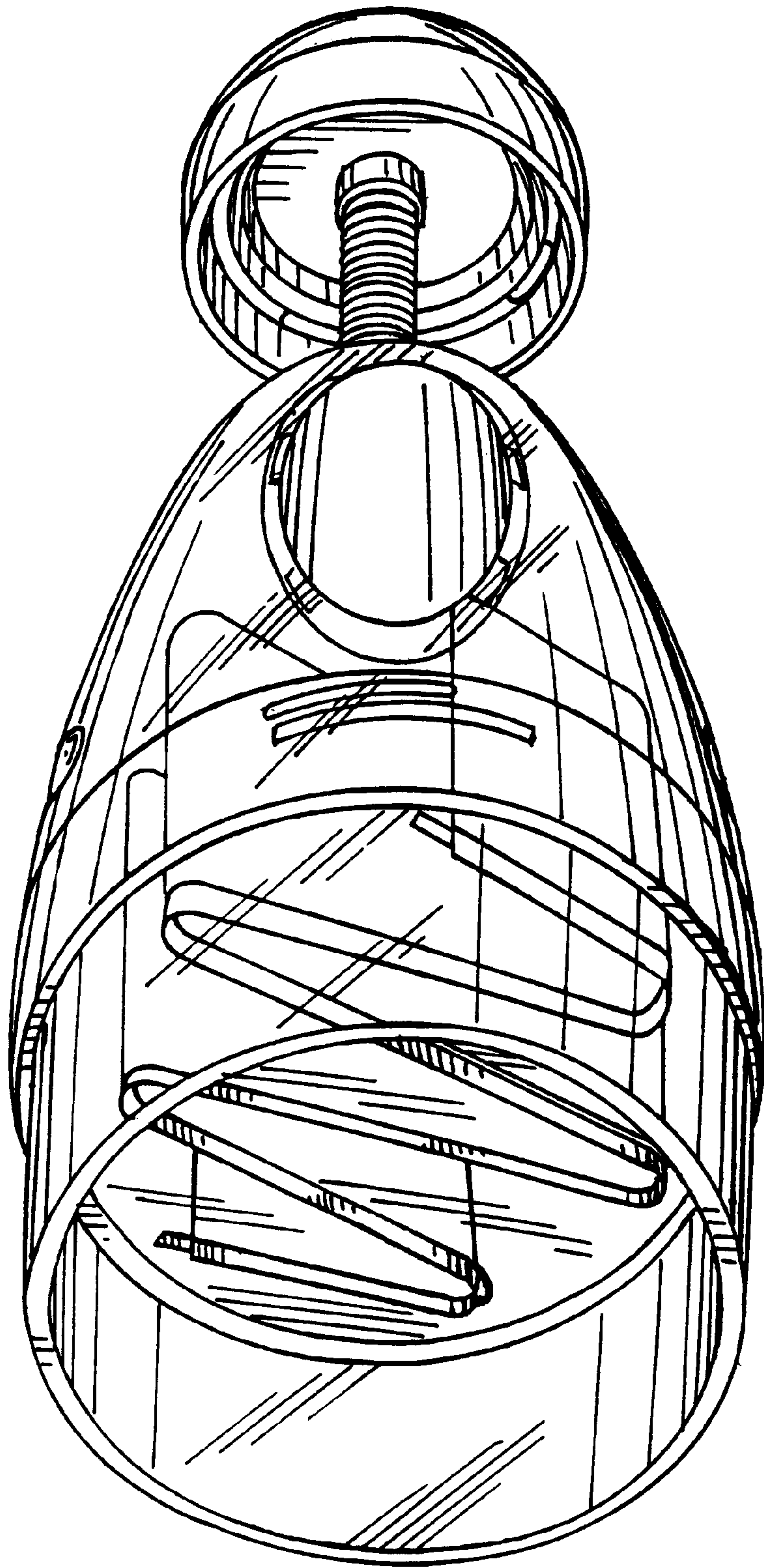


FIG.5