



US00D463956S

(12) **United States Design Patent**
Richmond

(10) **Patent No.:** **US D463,956 S**

(45) **Date of Patent:** **** Oct. 8, 2002**

(54) **SPOON**

D448,255 S * 9/2001 Shane-Schuldt D7/653

(75) Inventor: **Colin B. Richmond**, Vernon Center,
NY (US)

* cited by examiner

(73) Assignee: **Oneida, Ltd.**, Oneida, NY (US)

Primary Examiner—Caron D. Veynar

(**) Term: **14 Years**

(74) *Attorney, Agent, or Firm*—Wall Marjama & Bilinski
LLP

(21) Appl. No.: **29/152,327**

(57) **CLAIM**

(22) Filed: **Dec. 17, 2001**

The ornamental design for a spoon, as shown and described.

(51) **LOC (7) Cl.** **07-03**

DESCRIPTION

(52) **U.S. Cl.** **D7/653**

FIG. 1 is a top view of a spoon showing my new Design;
FIG. 2 is a left side elevational view thereof; the right side
view being a mirror image thereof;

(58) **Field of Search** D7/642, 645, 653,
D7/662-664, 401.2; 30/147-150, 322, 324,
345

FIG. 3 is a bottom plan view thereof;

FIG. 4 is a cross-section view taken along line 4—4 of FIG.
1; and,

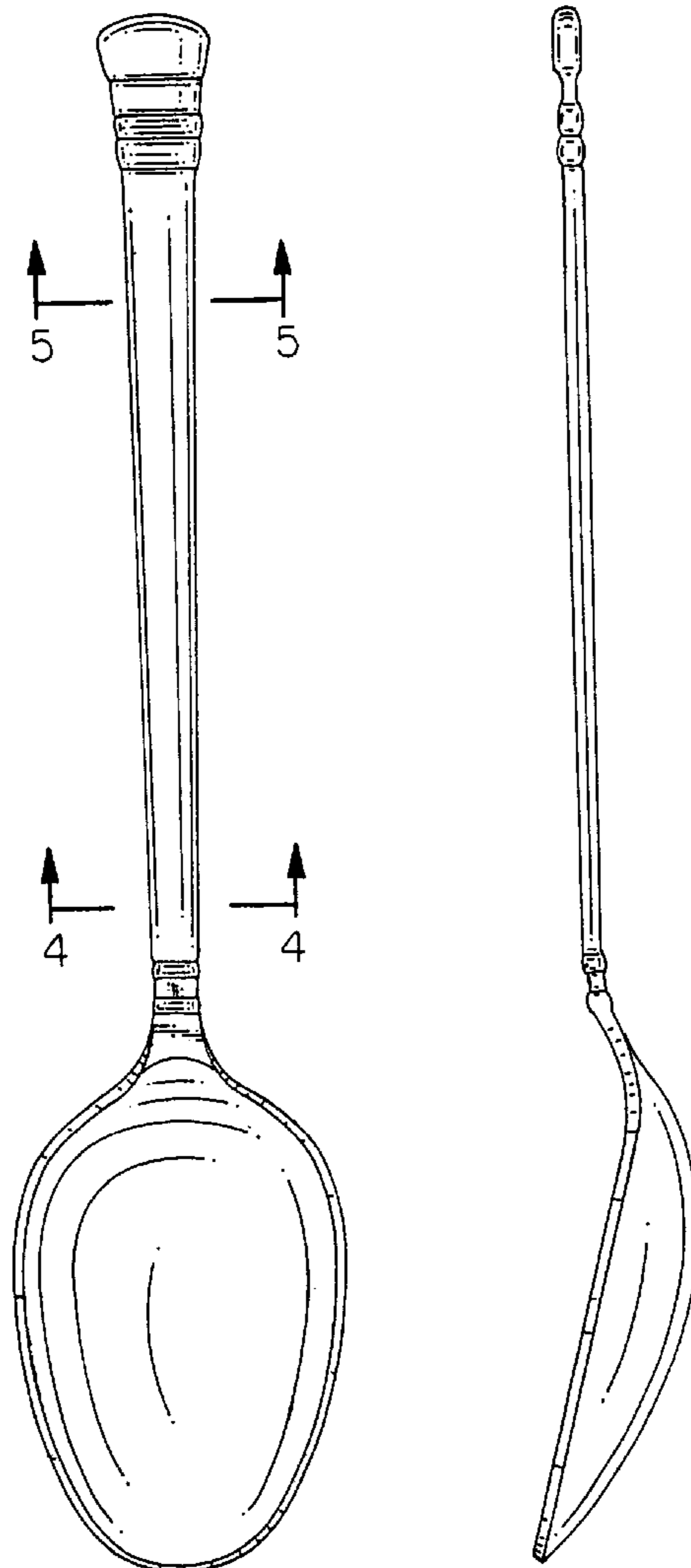
(56) **References Cited**

FIG. 5 is a cross section view taken along line 5—5 of FIG.
1.

U.S. PATENT DOCUMENTS

D247,086 S * 1/1978 Gonshorek D7/645

1 Claim, 1 Drawing Sheet



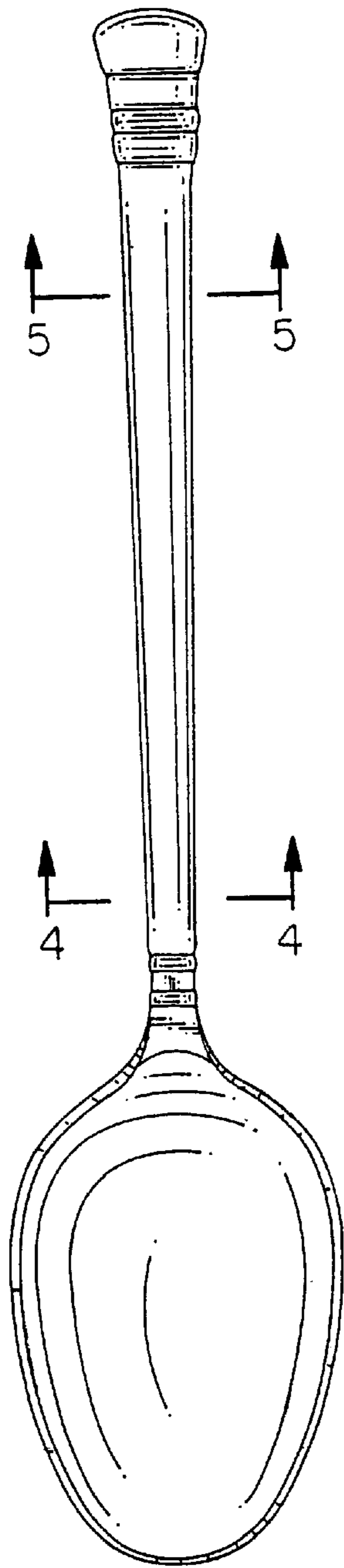


FIG. 1

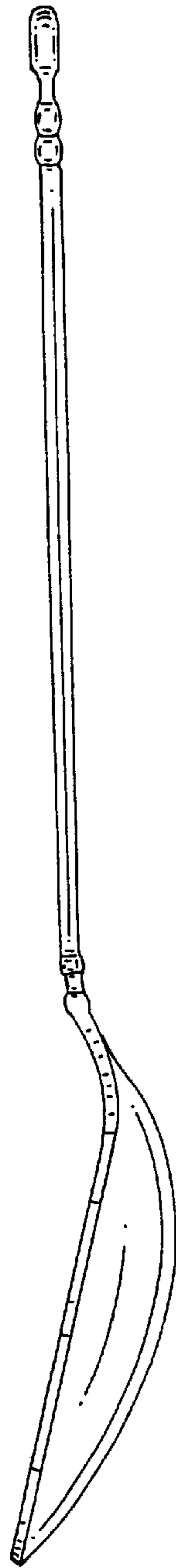


FIG. 2

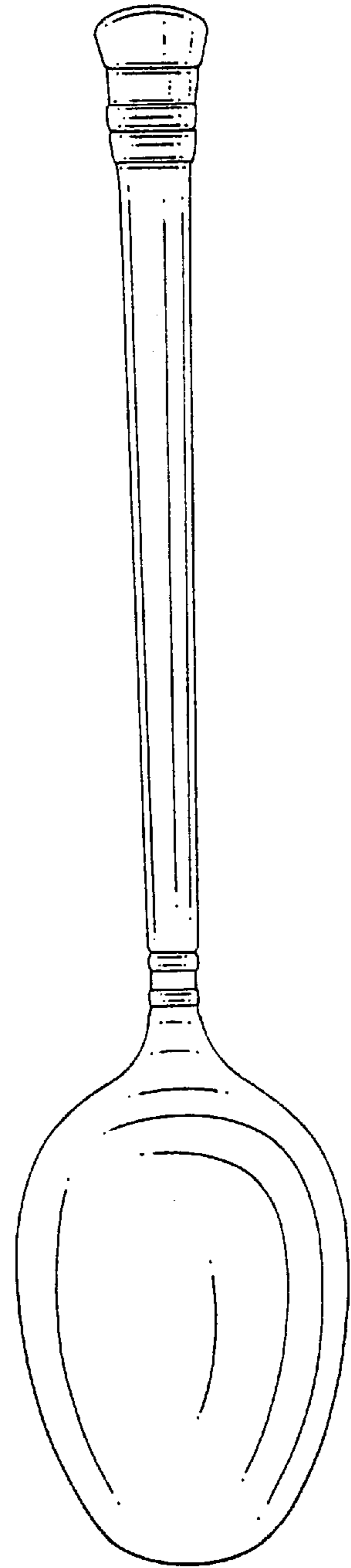


FIG. 3



FIG. 4



FIG. 5