



US00D463953S

(12) **United States Design Patent**
Hsu

(10) **Patent No.:** **US D463,953 S**

(45) **Date of Patent:** **** Oct. 8, 2002**

(54) **TWO-LID GRILL**

(75) Inventor: **Ching-Hui Hsu**, Taipei (TW)

(73) Assignee: **Test-Rite Products Corporation**,
Buena Park, CA (US)

(**) Term: **14 Years**

(21) Appl. No.: **29/142,581**

(22) Filed: **May 31, 2001**

(51) **LOC (7) Cl.** **07-02**

(52) **U.S. Cl.** **D7/402**

(58) **Field of Search** D7/402-404, 406-408,
D7/332-337; 126/25 R, 25 AA, 25 A, 29-30,
39 R, 41 R; 99/419, 421 R

(56) **References Cited**

U.S. PATENT DOCUMENTS

- D361,466 S * 8/1995 Peterson et al. D7/334
- 5,623,866 A * 4/1997 Home 126/25 R
- D406,009 S * 2/1999 Wagner et al. D7/402
- D423,876 S * 5/2000 Wagner et al. D7/402
- D425,366 S * 5/2000 Pai D7/402
- D430,776 S * 9/2000 Pai D7/402
- D438,059 S * 2/2001 Wagner et al. D7/402
- D438,060 S * 2/2001 Campbell et al. D7/402

- D438,427 S * 3/2001 Campbell et al. D7/402
- D449,492 S * 10/2001 Wagner et al. D7/402

* cited by examiner

Primary Examiner—Ruth McInroy

(74) *Attorney, Agent, or Firm*—Bacon & Thomas

(57) **CLAIM**

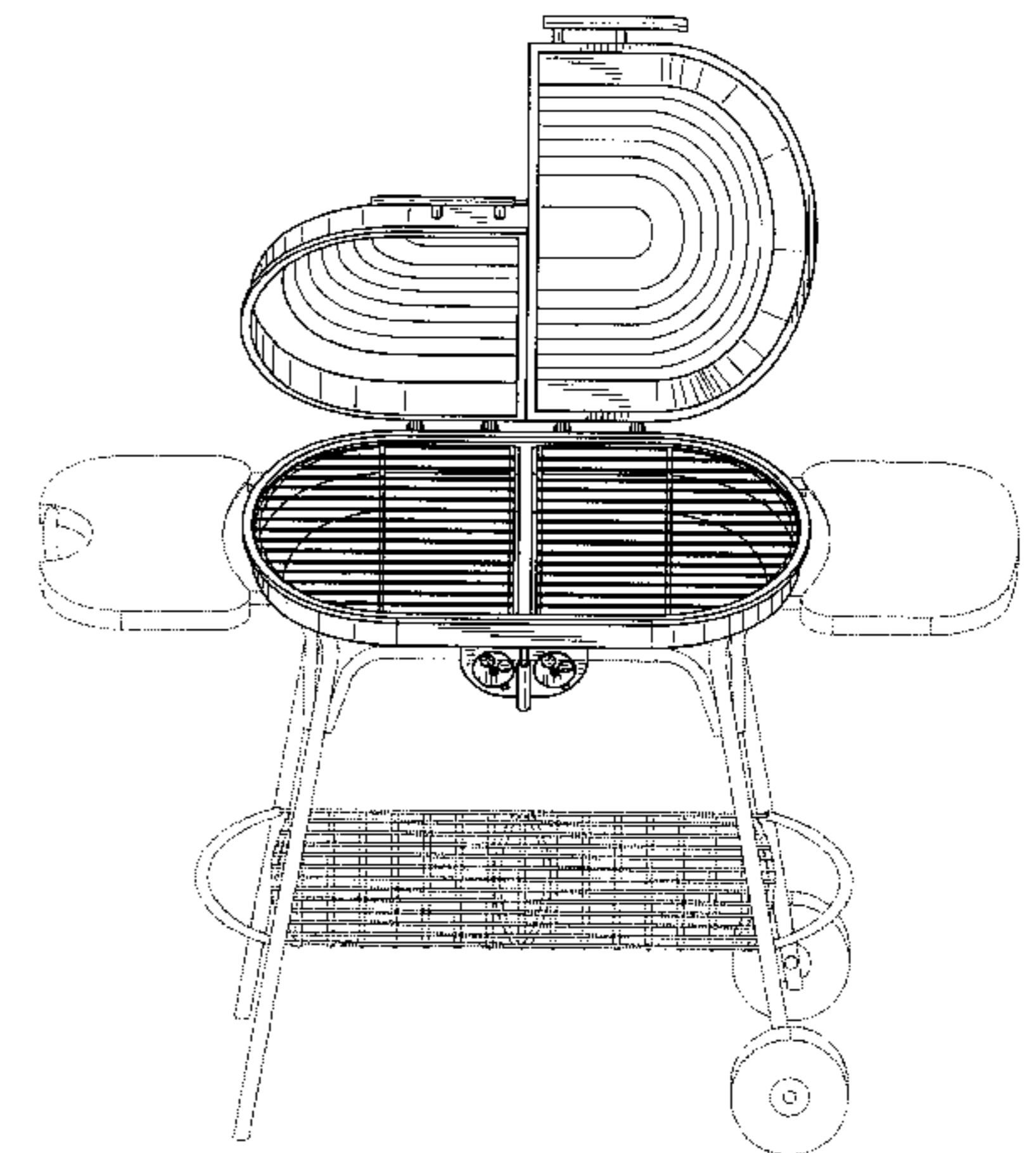
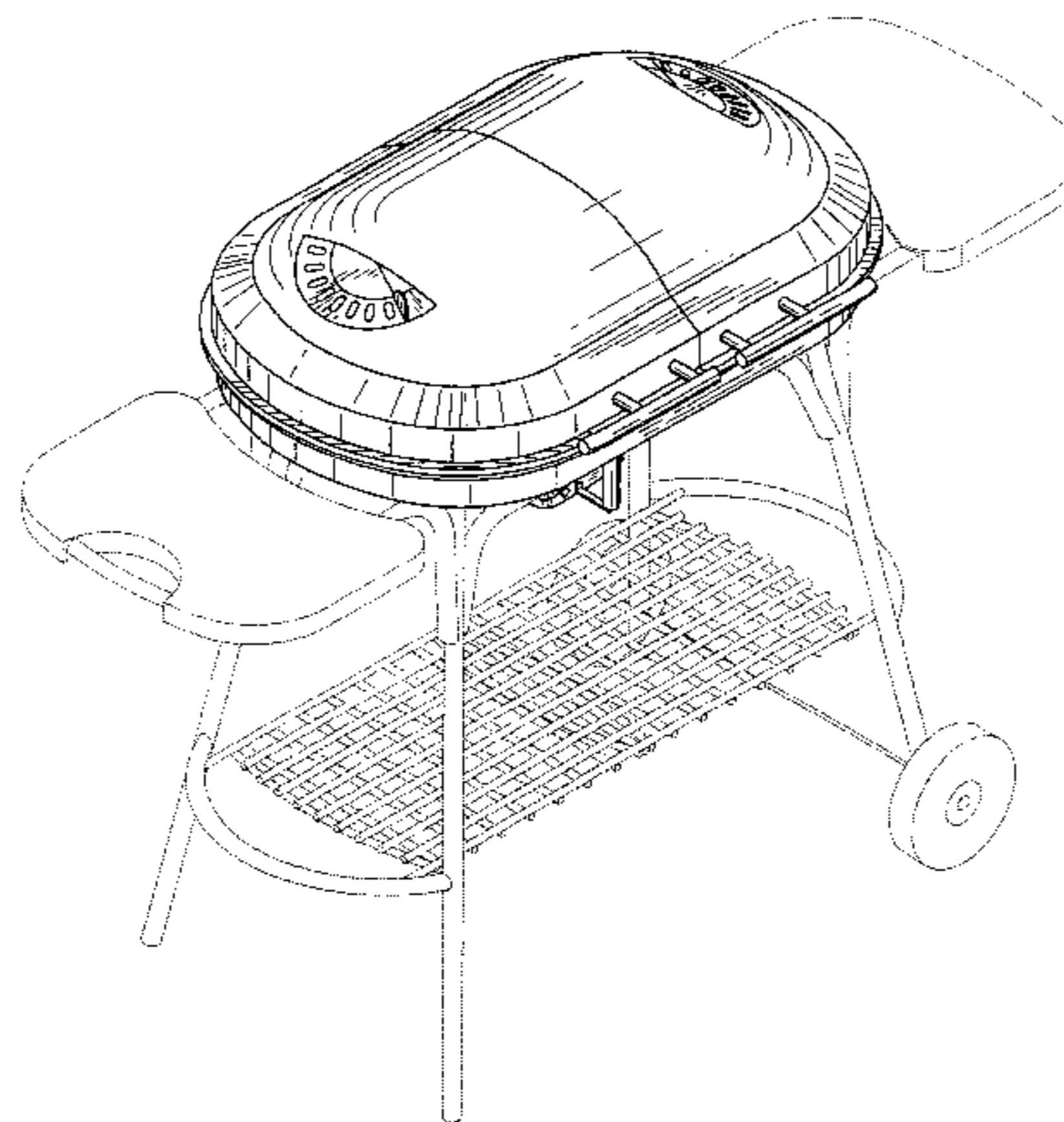
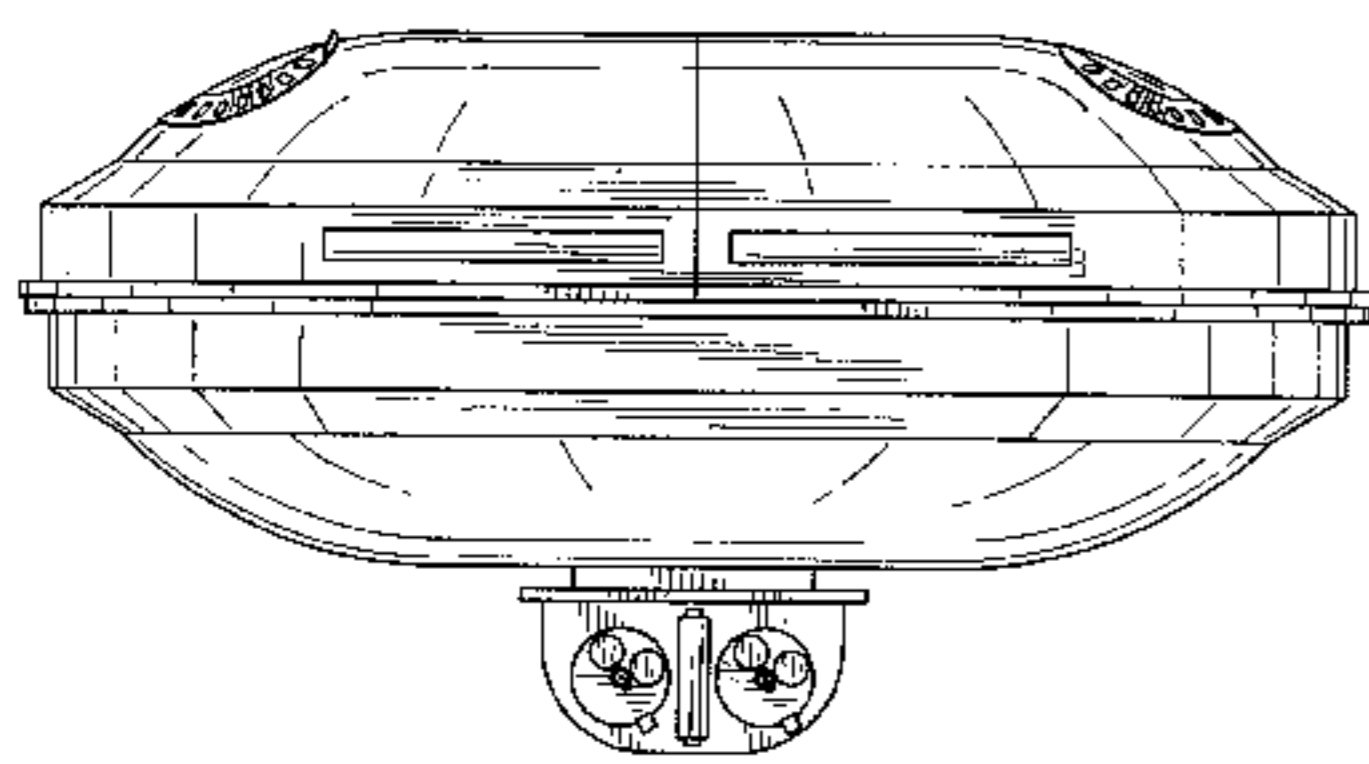
I claim the ornamental design for a two-lid grill, as shown and described.

DESCRIPTION

FIG. 1 is a front view of a two-lid grill showing my new design;
 FIG. 2 is a rear view thereof;
 FIG. 3 is a left side view thereof;
 FIG. 4 is a right side view thereof;
 FIG. 5 is a top plan view thereof;
 FIG. 6 is a bottom plan view thereof;
 FIG. 7 is a perspective view thereof; and,
 FIG. 8 is a perspective view thereof with both lids shown in an open position.

The details shown in broken lines in FIGS. 7 and 8 are for illustrative purposes only and form no part of the claimed design.

1 Claim, 6 Drawing Sheets



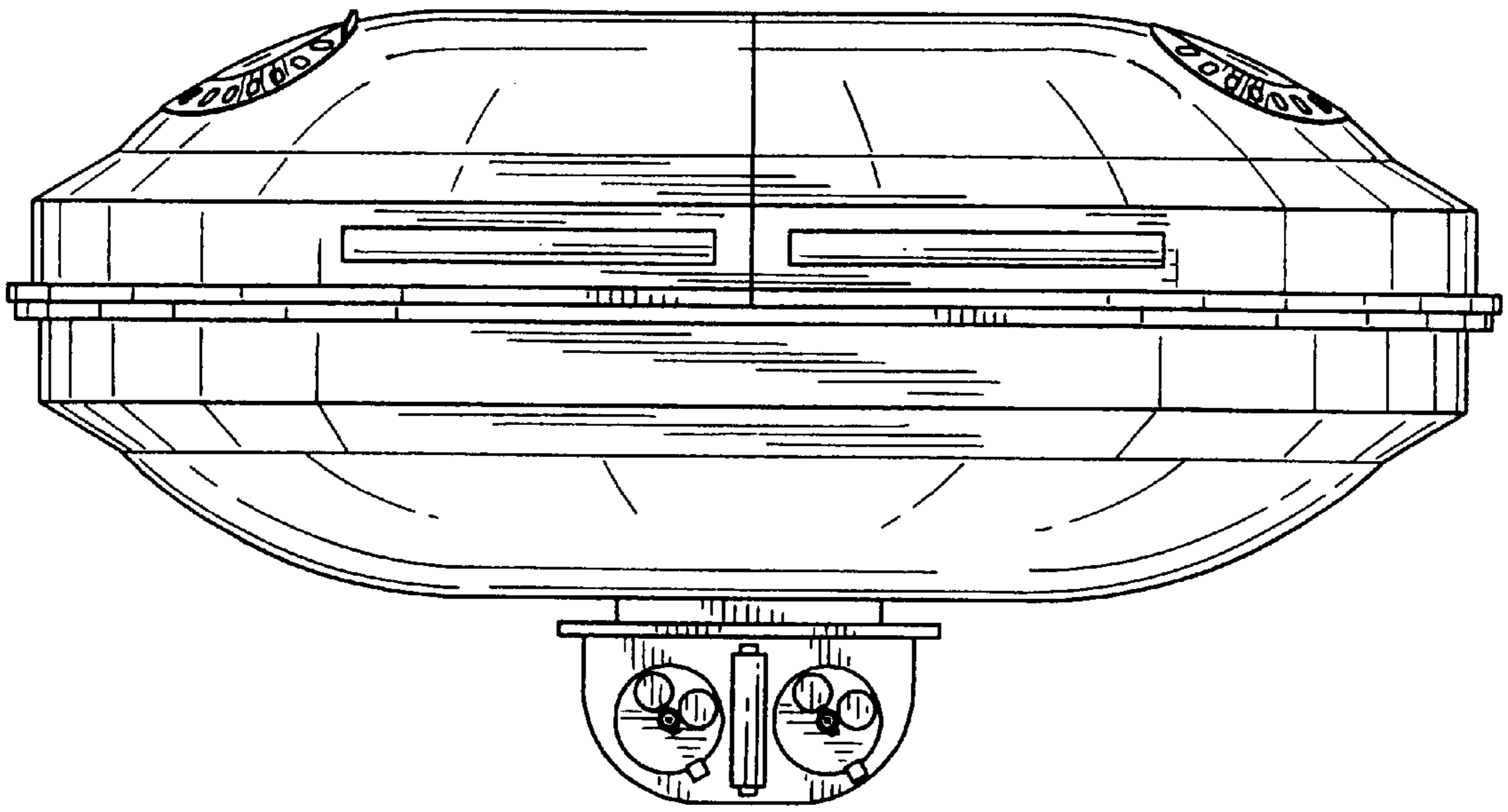


Fig. 1

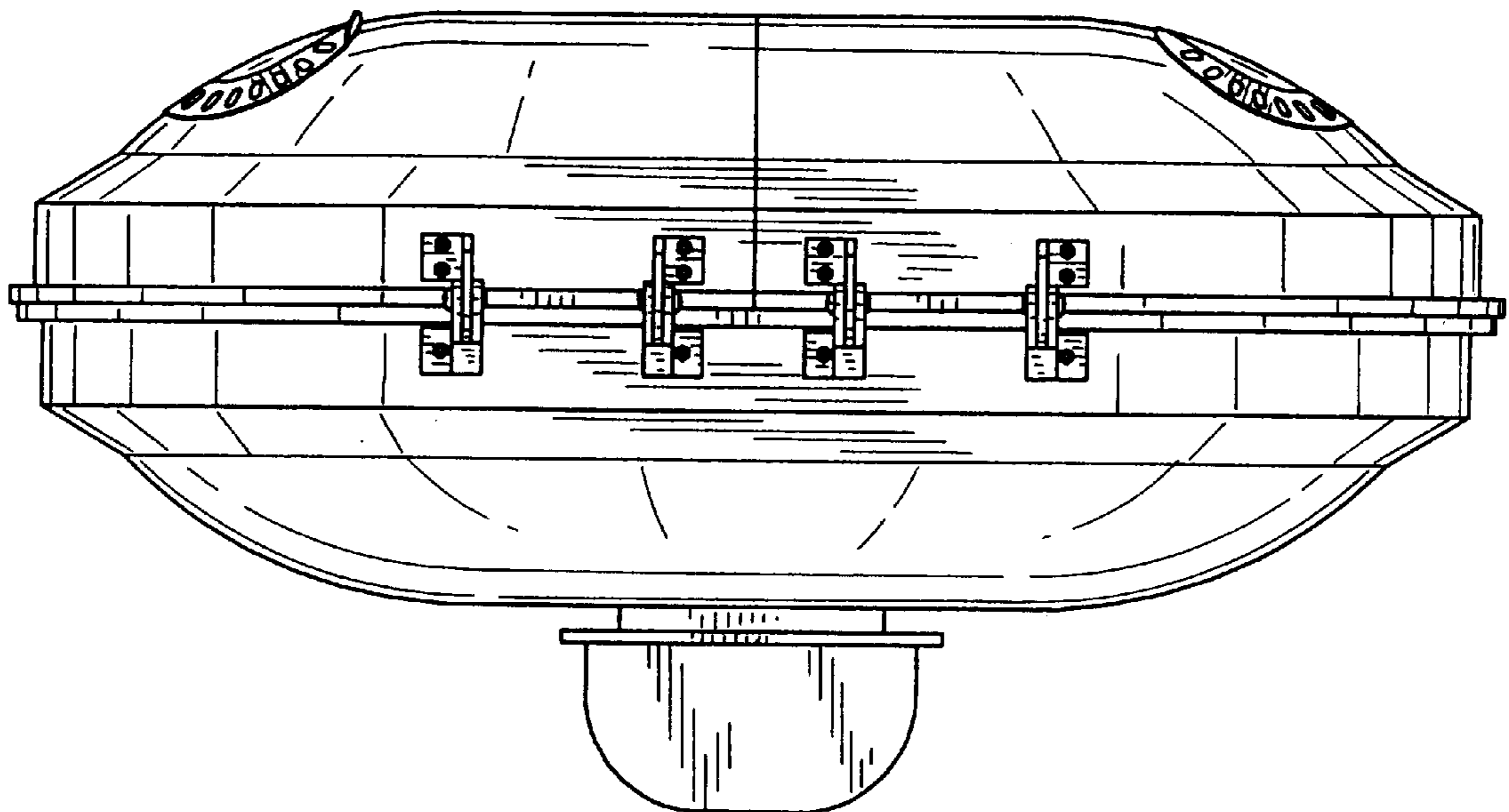


Fig. 2

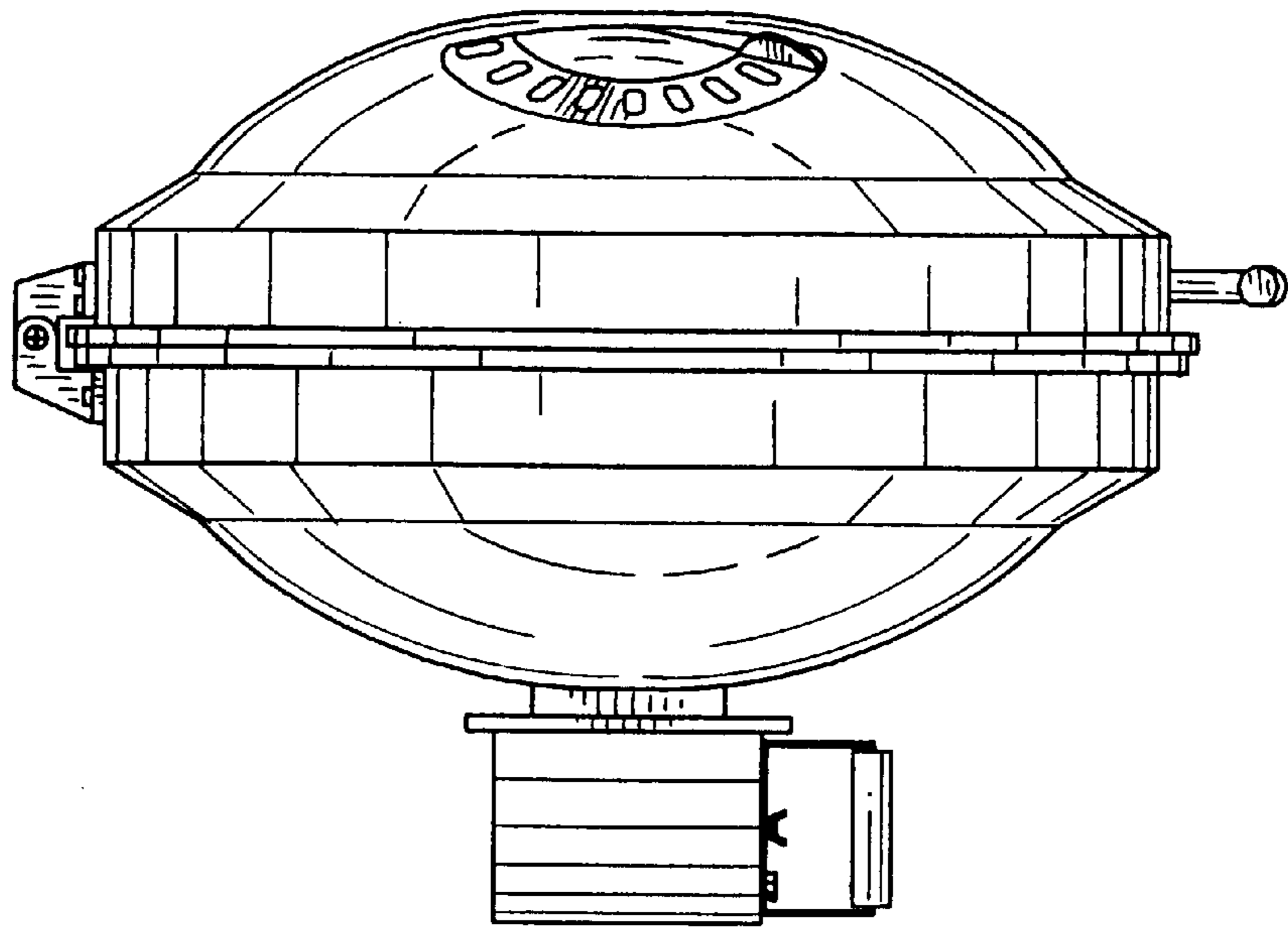


Fig.3

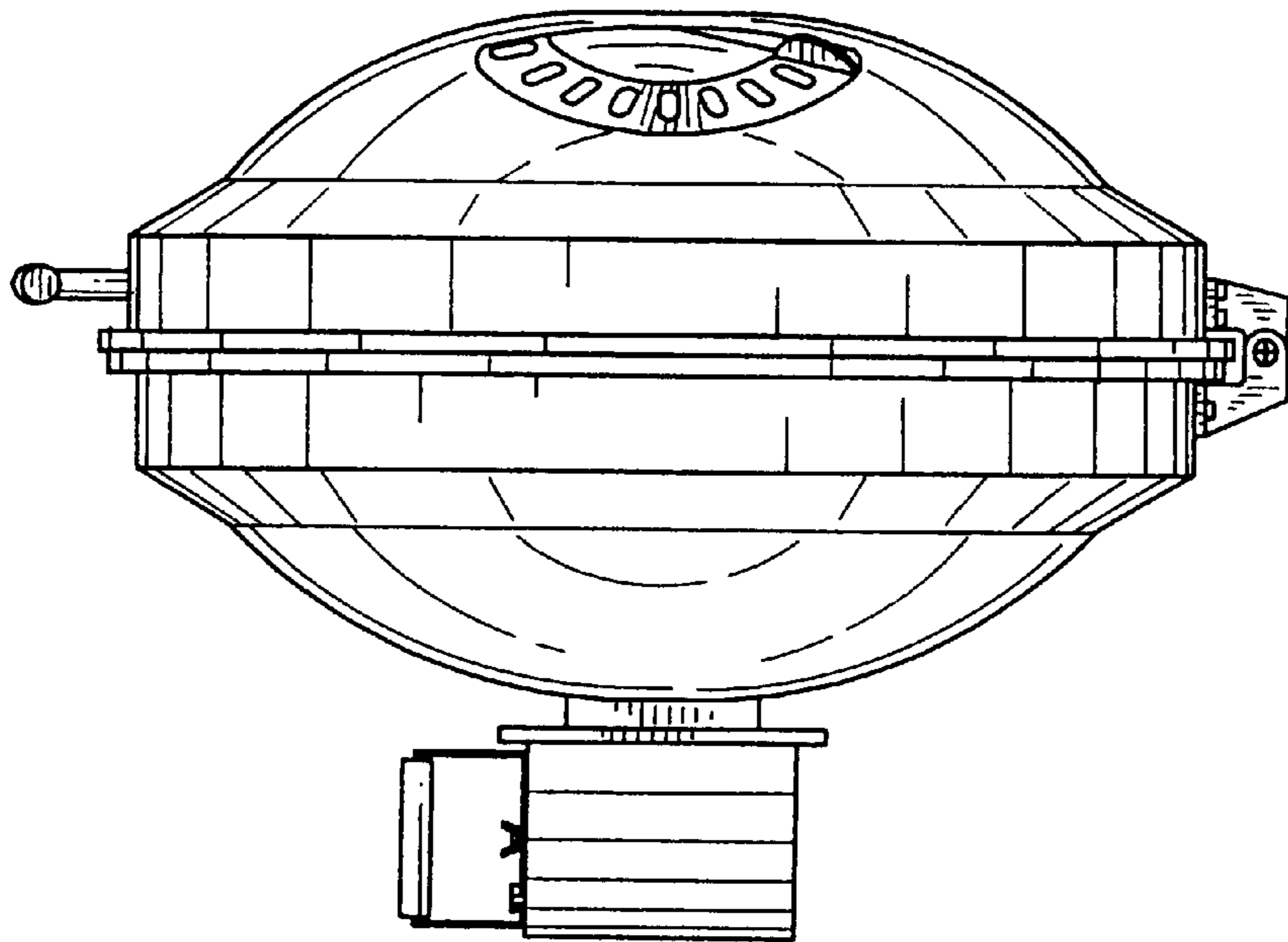


Fig.4

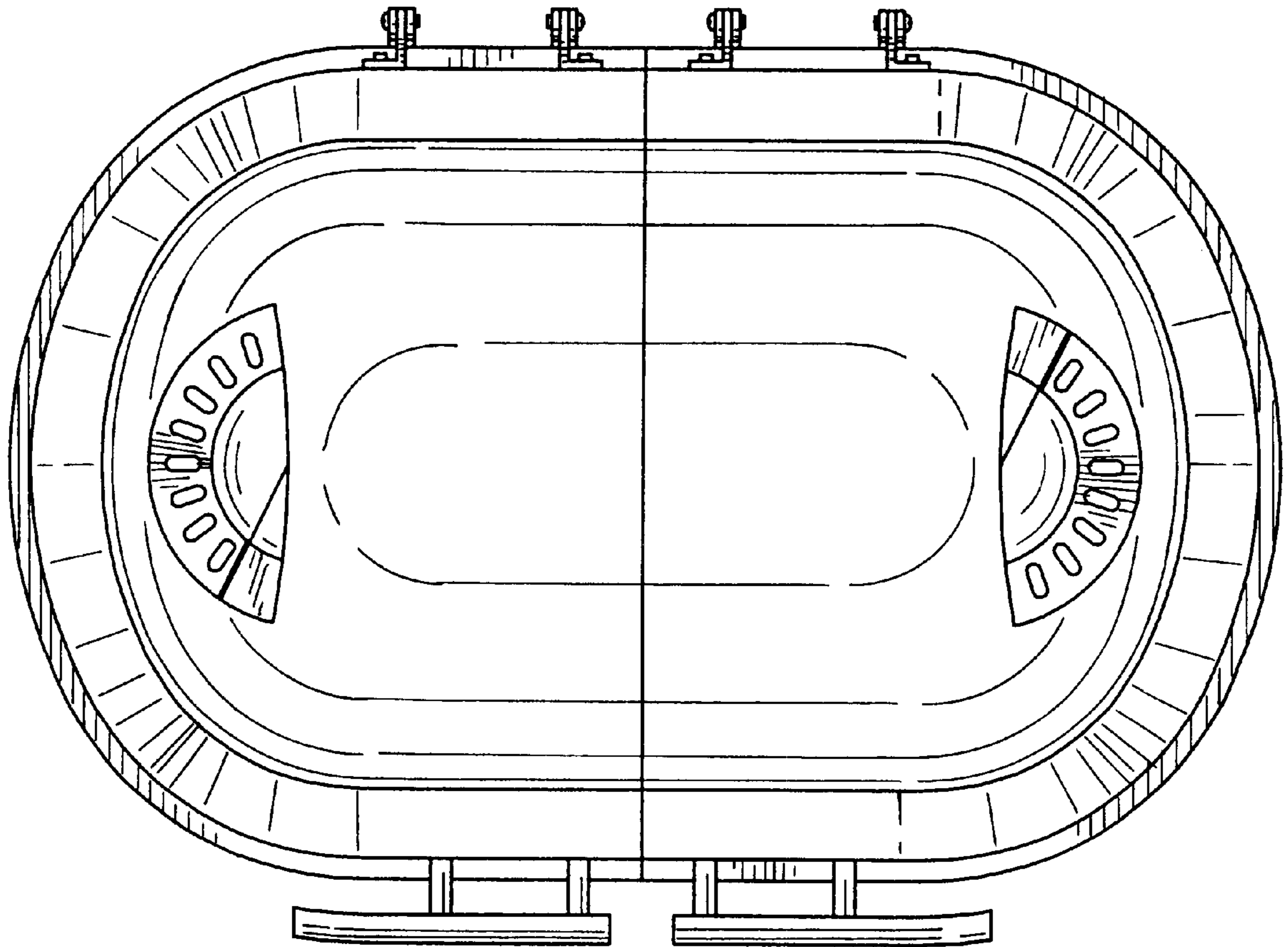


Fig.5

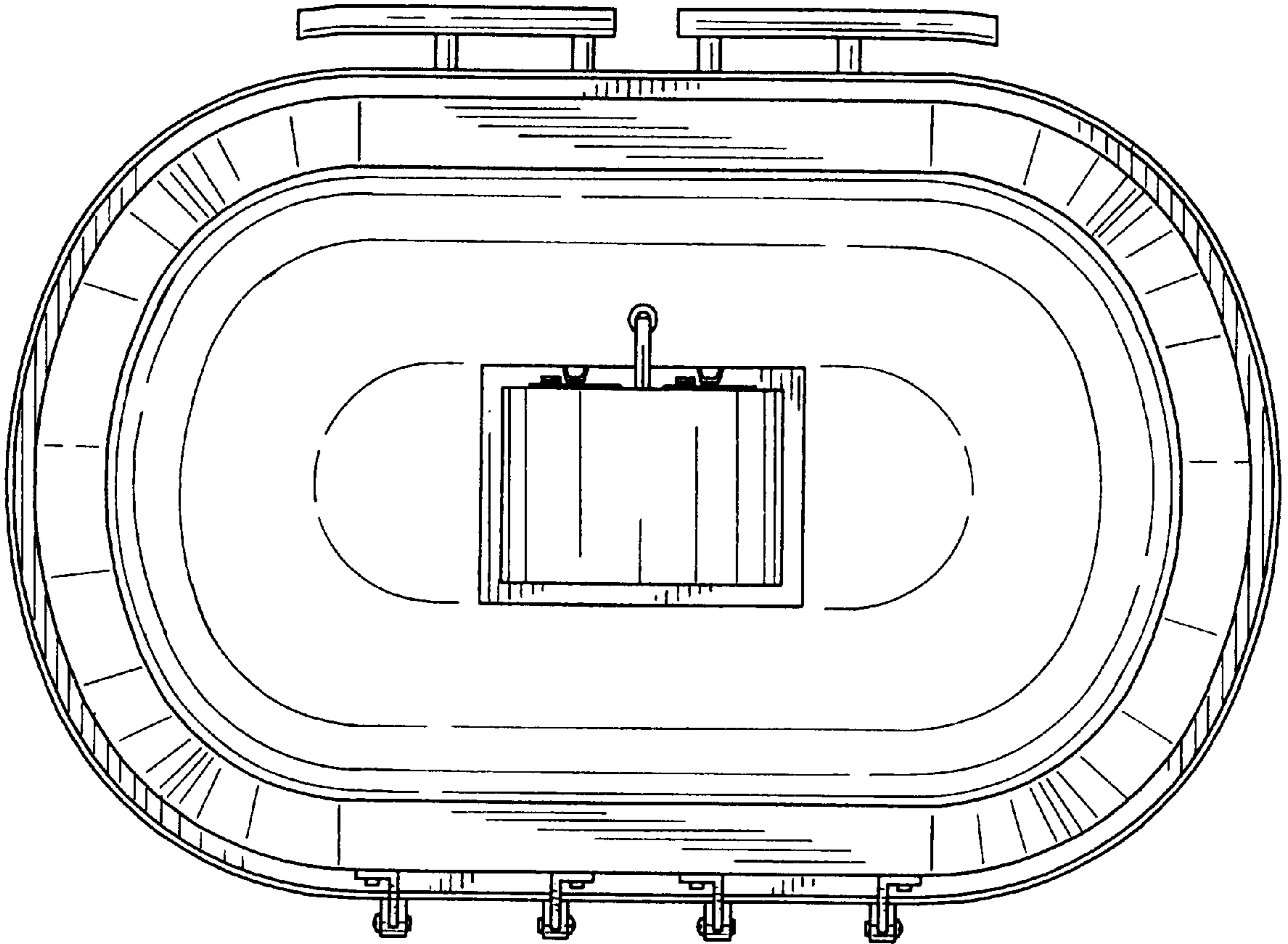


Fig.6

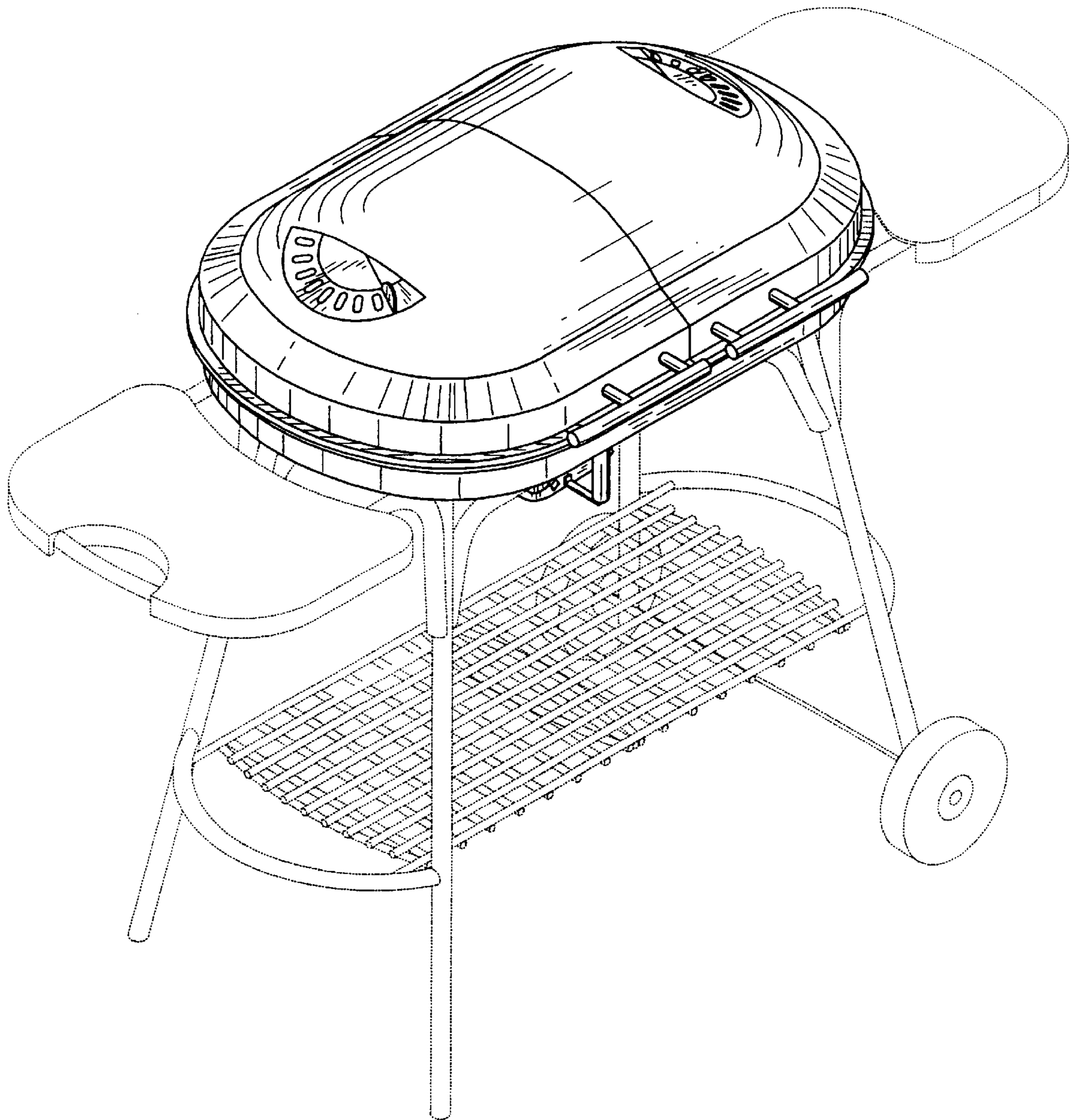


Fig.7

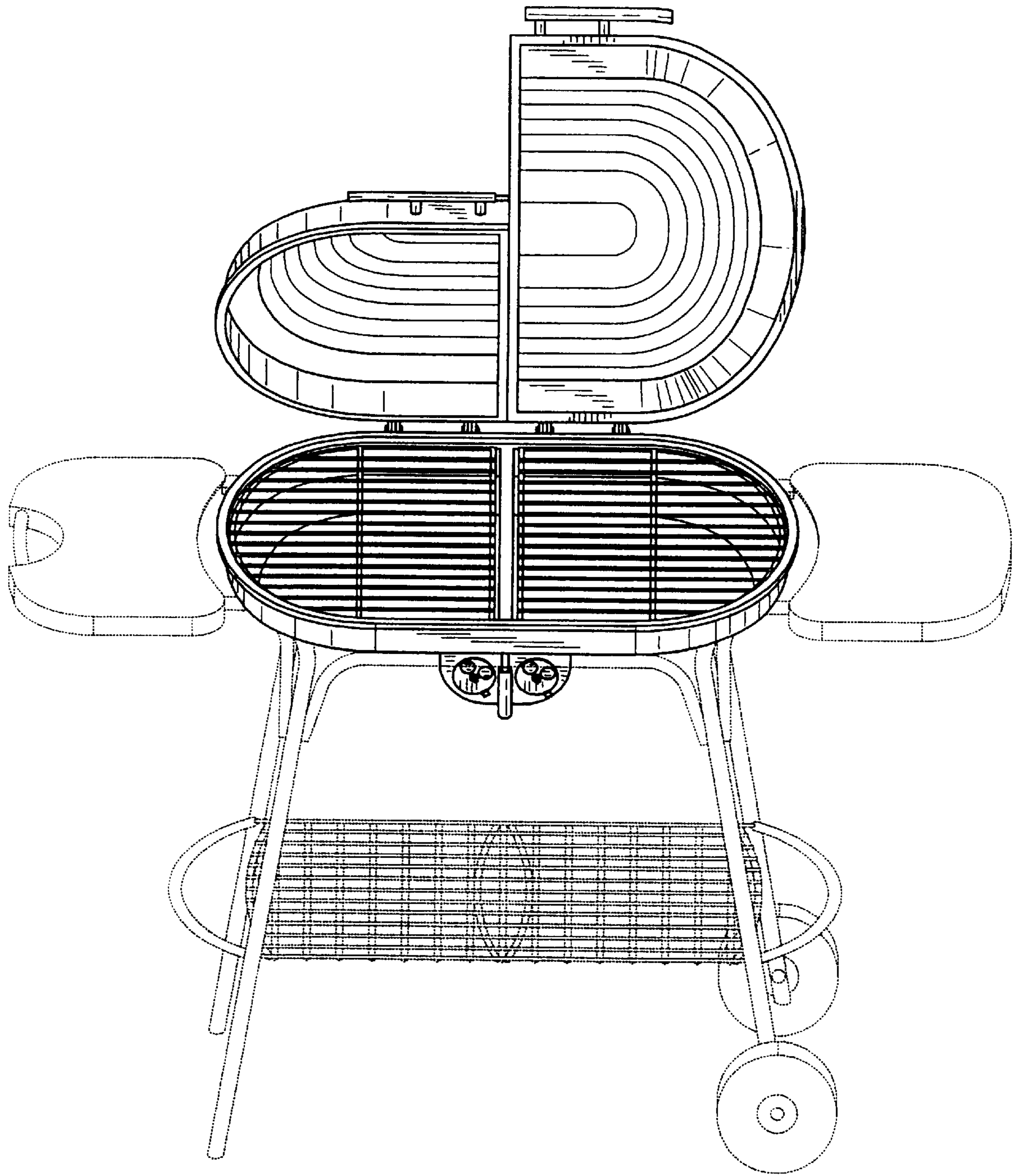


Fig. 8