



US00D463951S

(12) **United States Design Patent**
Wade

(10) **Patent No.:** **US D463,951 S**

(45) **Date of Patent:** **** Oct. 8, 2002**

(54) **ICE SHAVER**

D403,918 * 1/1999 Lin D7/374

(75) Inventor: **Jeffrey Graeme Wade**, Sheung Wan
(HK)

* cited by examiner

(73) Assignee: **Main Power Electrical Factory Ltd.**,
Hong Kong (HK)

Primary Examiner—Sandra L. Morris

(74) *Attorney, Agent, or Firm*—Leydig Voit & Mayer, Ltd.

(**) Term: **14 Years**

(57) **CLAIM**

The ornamental design for an ice shaver, as shown and described.

(21) Appl. No.: **29/152,506**

(22) Filed: **Dec. 26, 2001**

DESCRIPTION

(51) **LOC (7) Cl.** **31-00**

(52) **U.S. Cl.** **D7/374**

(58) **Field of Search** D7/372-374, 384;
99/286, 304, 306, 586; 241/82.1, 83, 95,
100, 249, 277, 285.1

FIG. 1 is a top, front and right side perspective view of an ice shaver showing my new design;

FIG. 2 is a front elevational view thereof;

FIG. 3 is a rear elevational view thereof;

FIG. 4 is a right side elevational view thereof;

FIG. 5 is a left side elevational view thereof;

FIG. 6 is a top plan view thereof; and,

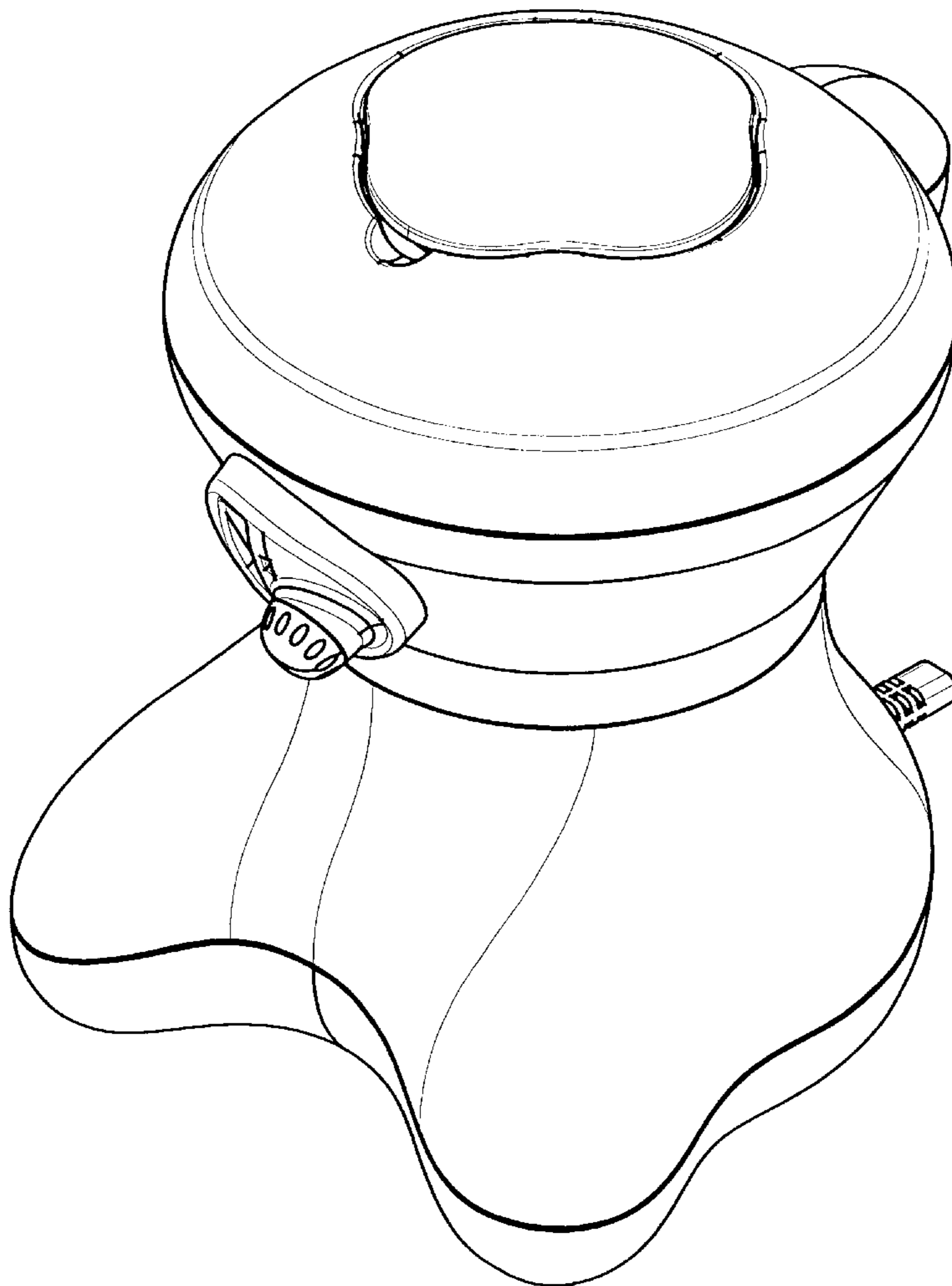
FIG. 7 is a bottom plan view thereof.

(56) **References Cited**

U.S. PATENT DOCUMENTS

D305,602 * 1/1990 Inomata D7/374

1 Claim, 7 Drawing Sheets



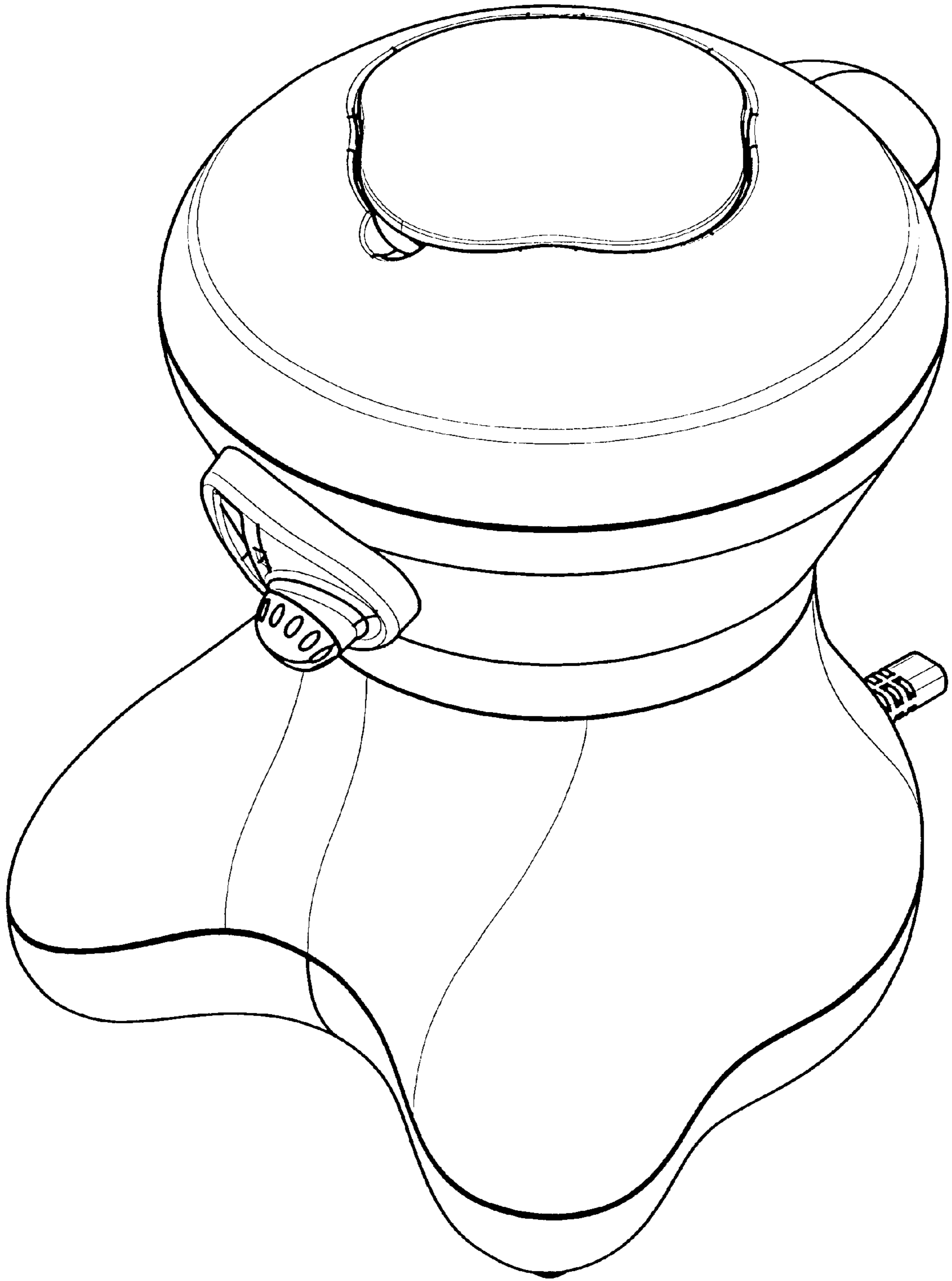


FIG. 1

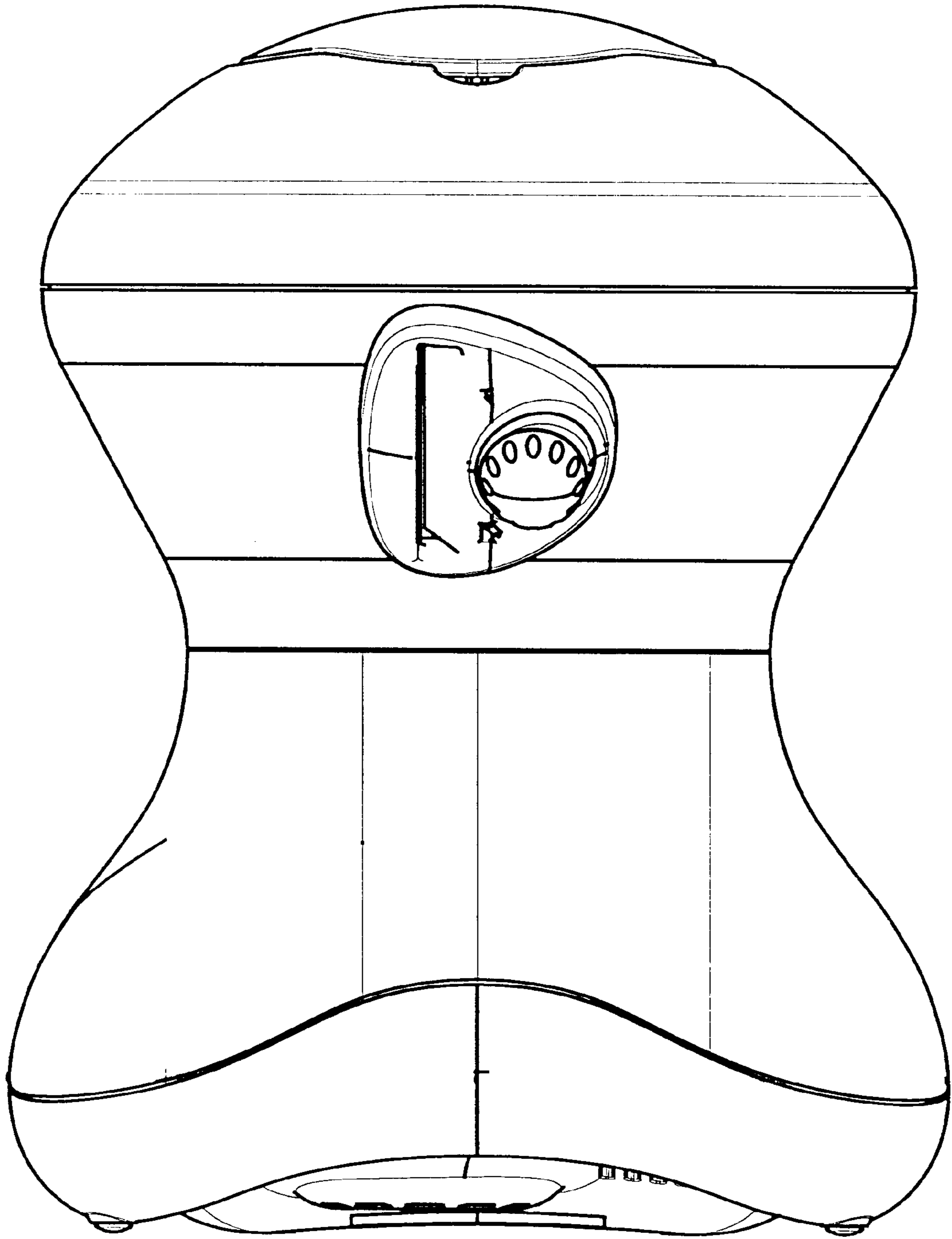


FIG. 2

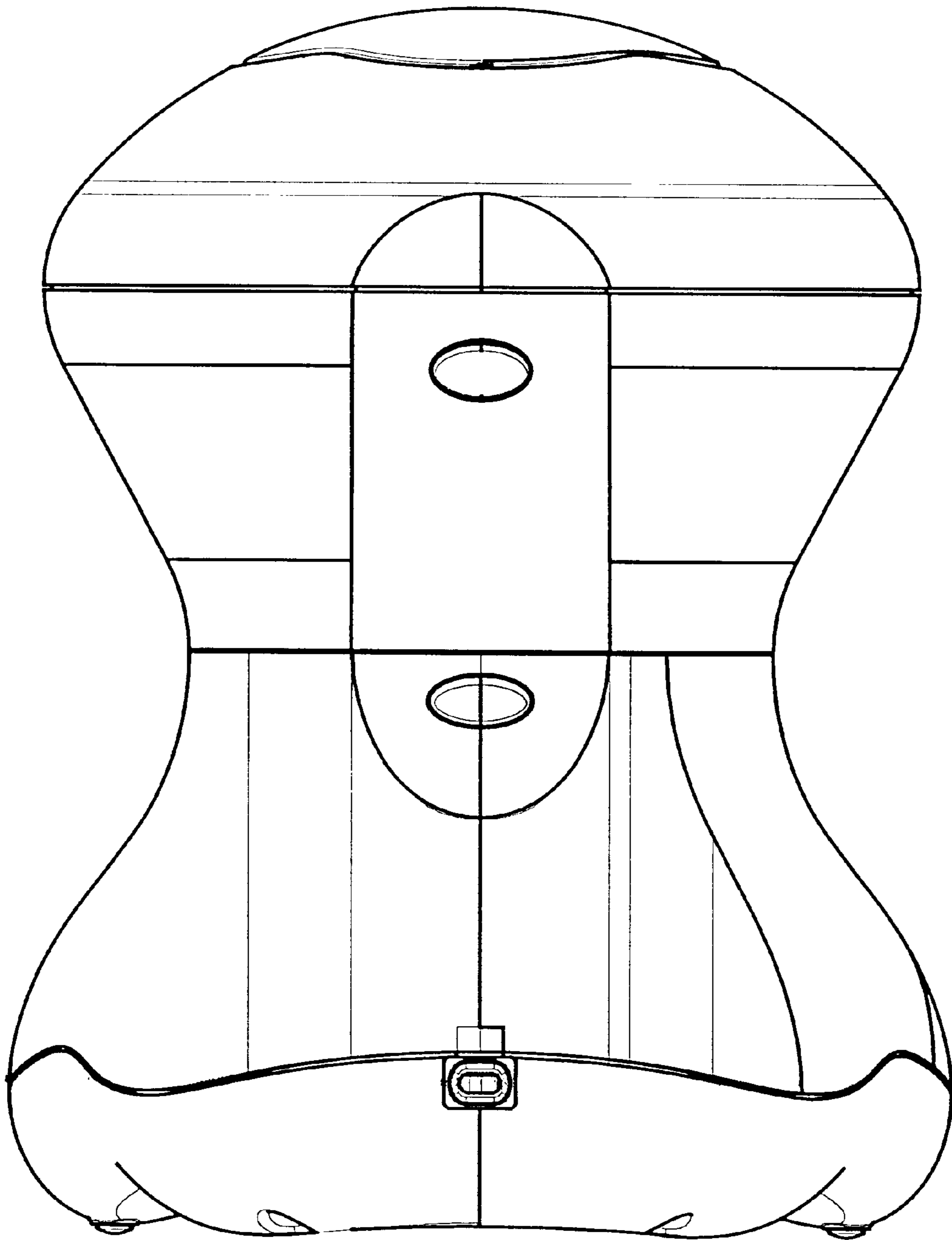


FIG. 3

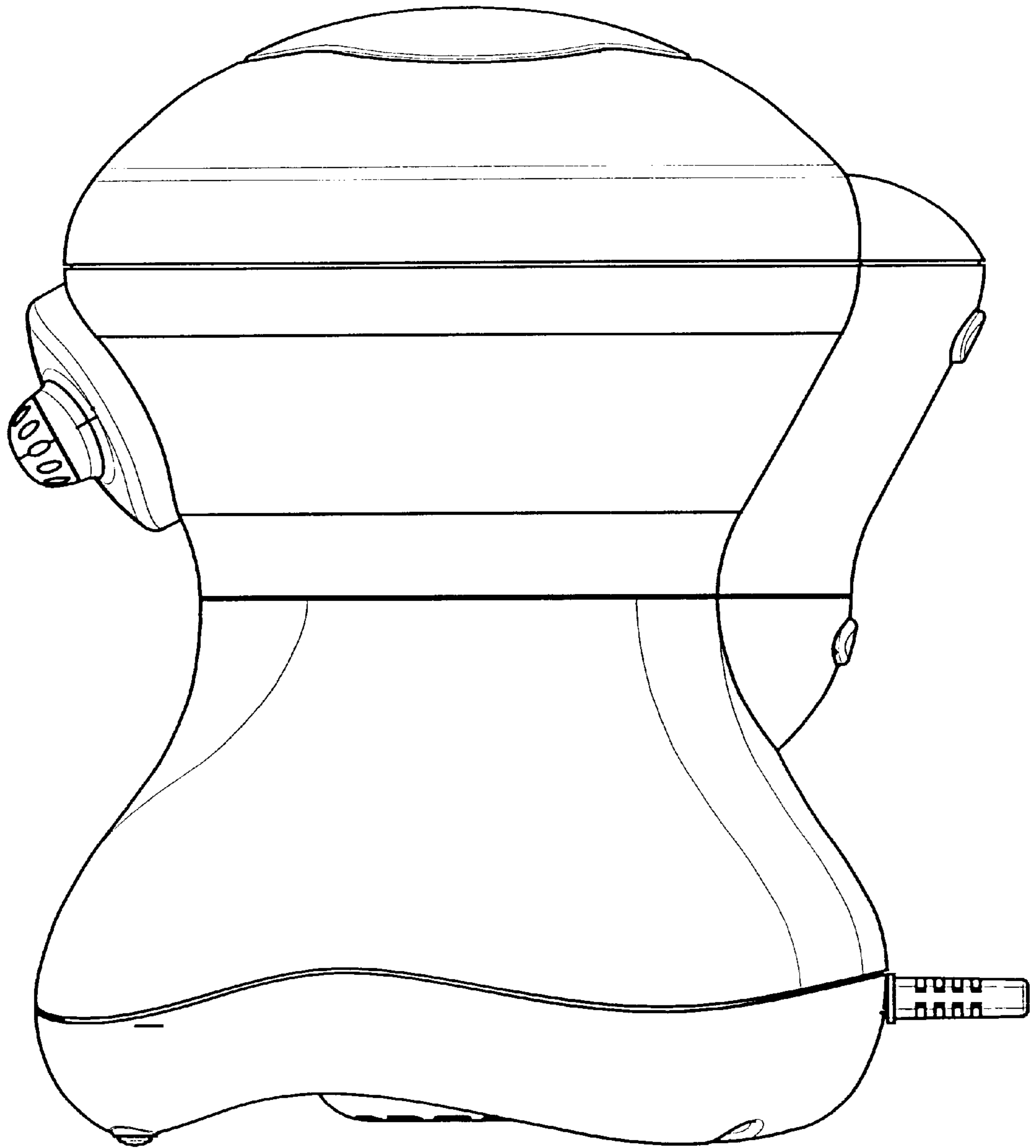


FIG. 4

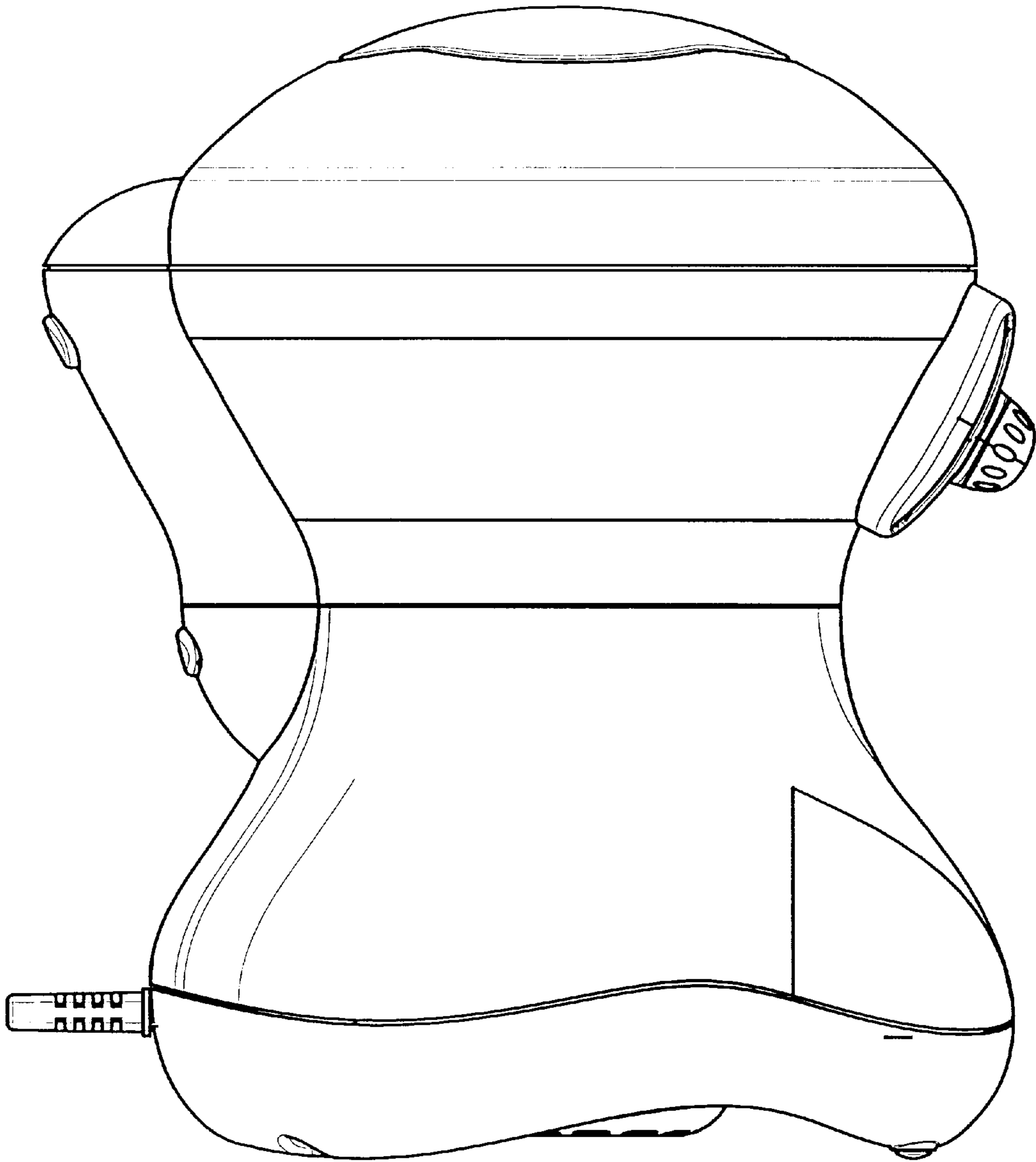


FIG. 5

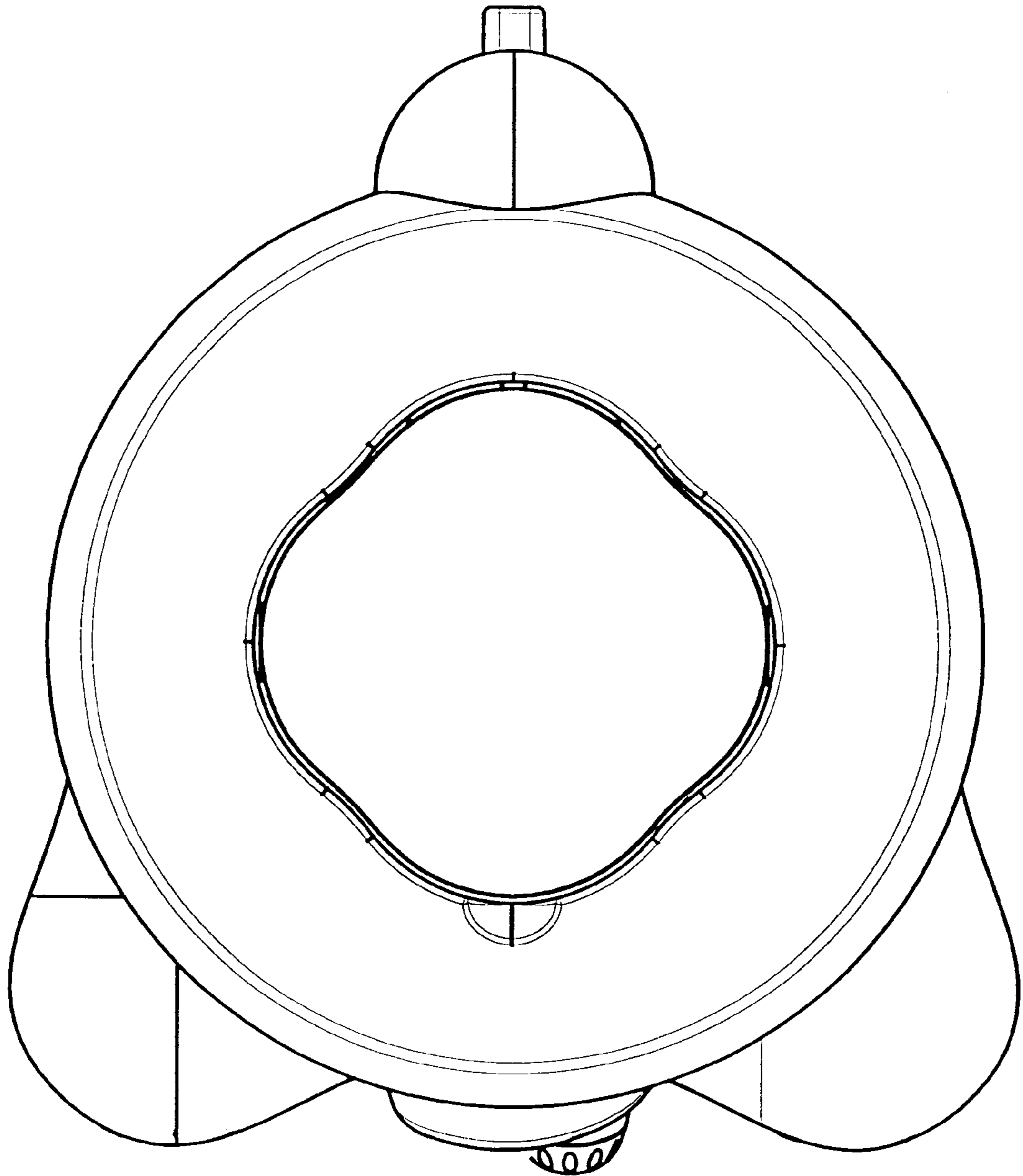


FIG. 6

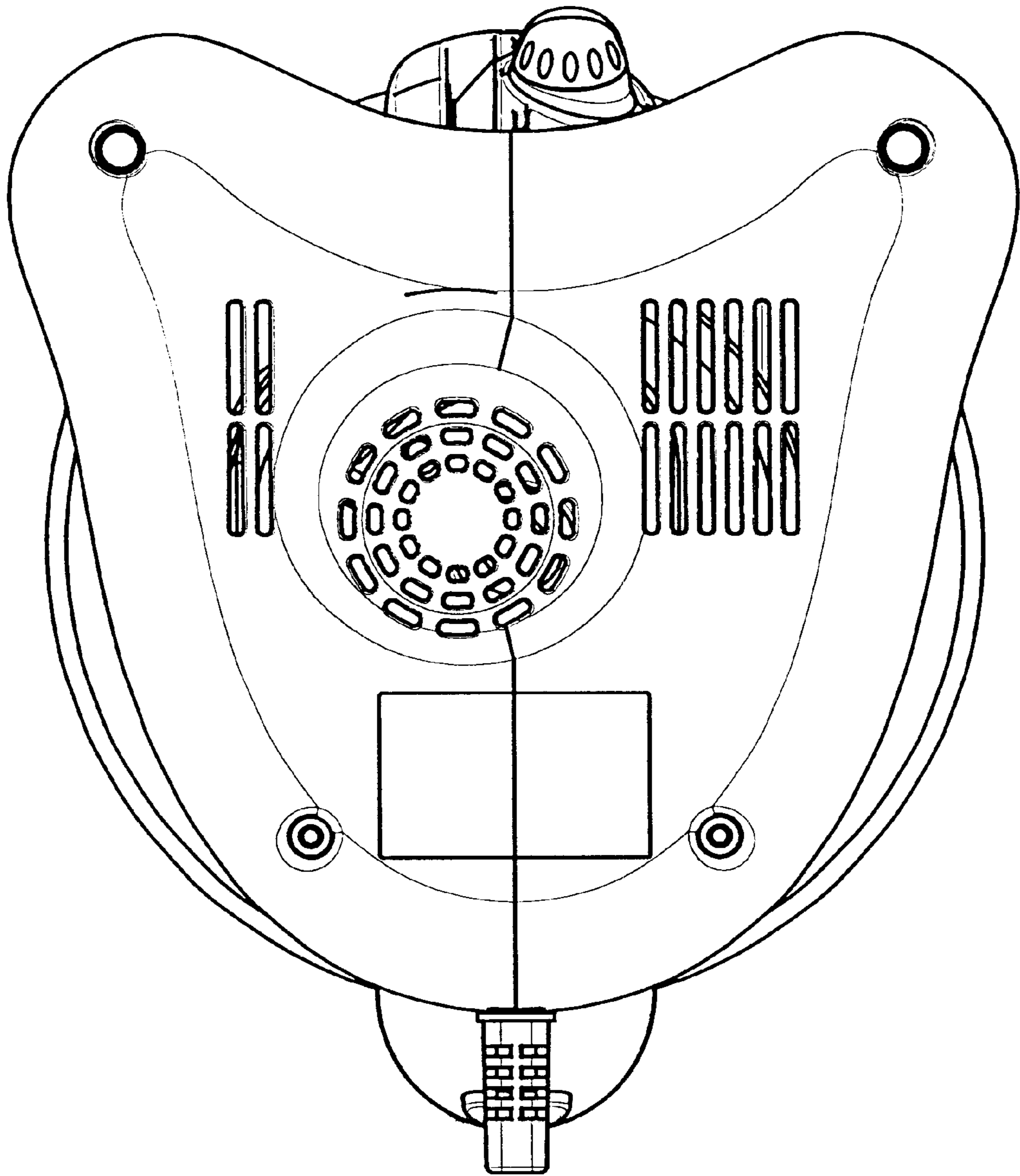


FIG. 7