



US00D463949S

(12) **United States Design Patent**
Pai

(10) **Patent No.:** **US D463,949 S**

(45) **Date of Patent:** **** Oct. 8, 2002**

(54) **ROASTER**

D451,759 S * 12/2001 Joss et al. D7/402
D455,039 S * 4/2002 Pai D7/334

(76) Inventor: **Lucas Pai**, 8 Fl.-2, No. 160, Sec. 1,
Chung-Kang Rd., Taichung (TW)

* cited by examiner

(**) Term: **14 Years**

Primary Examiner—Ruth McInroy

(74) *Attorney, Agent, or Firm*—William E. Pelton, Esq.

(21) Appl. No.: **29/152,609**

(57) **CLAIM**

(22) Filed: **Dec. 21, 2001**

The ornamental design for a roaster, as shown.

(51) **LOC (7) Cl.** **07-02**

(52) **U.S. Cl.** **D7/334**

(58) **Field of Search** D7/332–337, 402,
D7/403, 404; 126/25 R, 25 A, 25 AA, 41 R,
29–30, 9 R; 99/419

DESCRIPTION

FIG. 1 is a perspective view of a roaster showing my new design;

FIG. 2 is a front elevational view thereof;

FIG. 3 is a rear elevational view thereof;

FIG. 4 is a left side view thereof;

FIG. 5 is a right side view thereof;

FIG. 6 is a top plain view thereof; and,

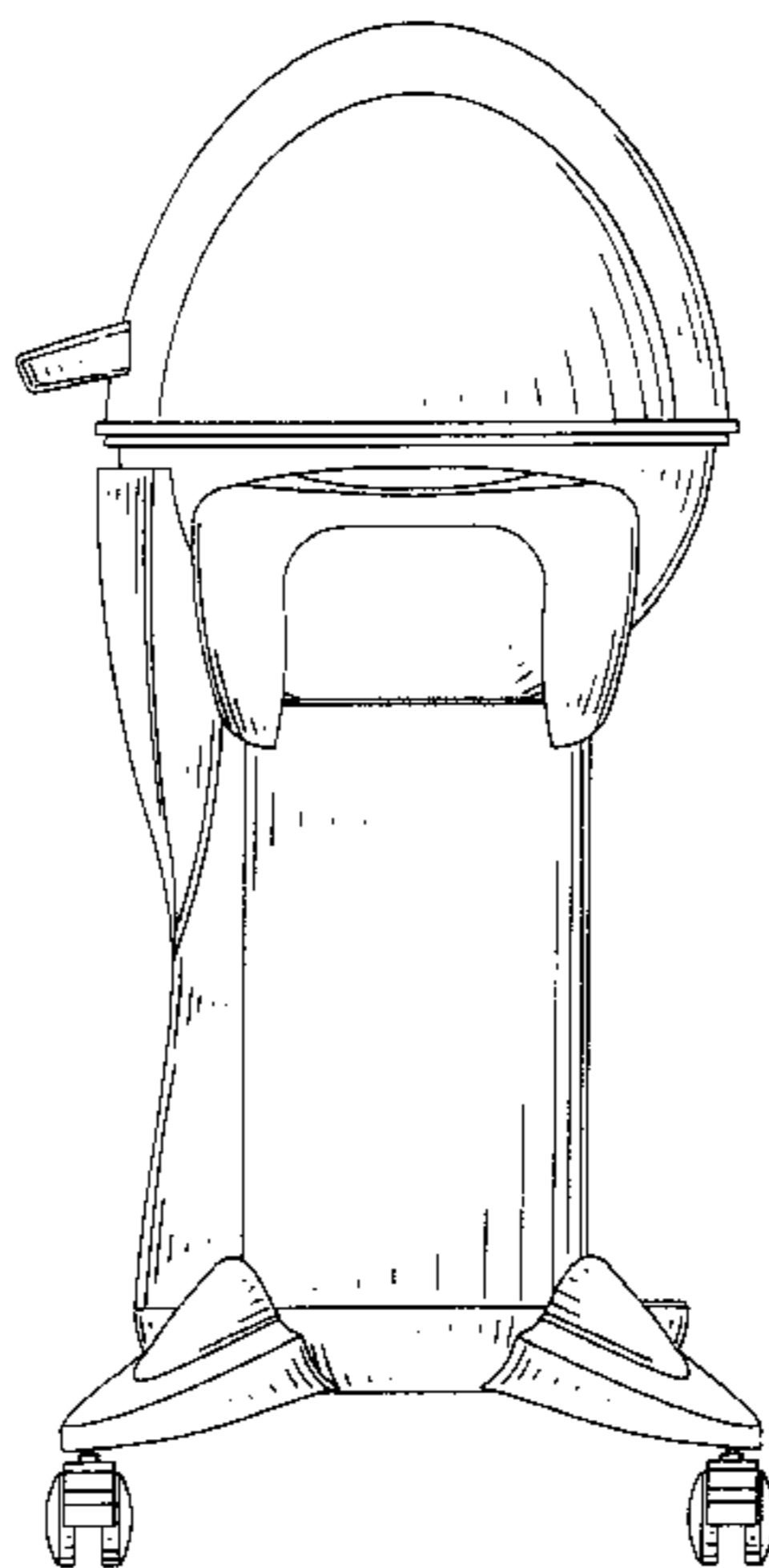
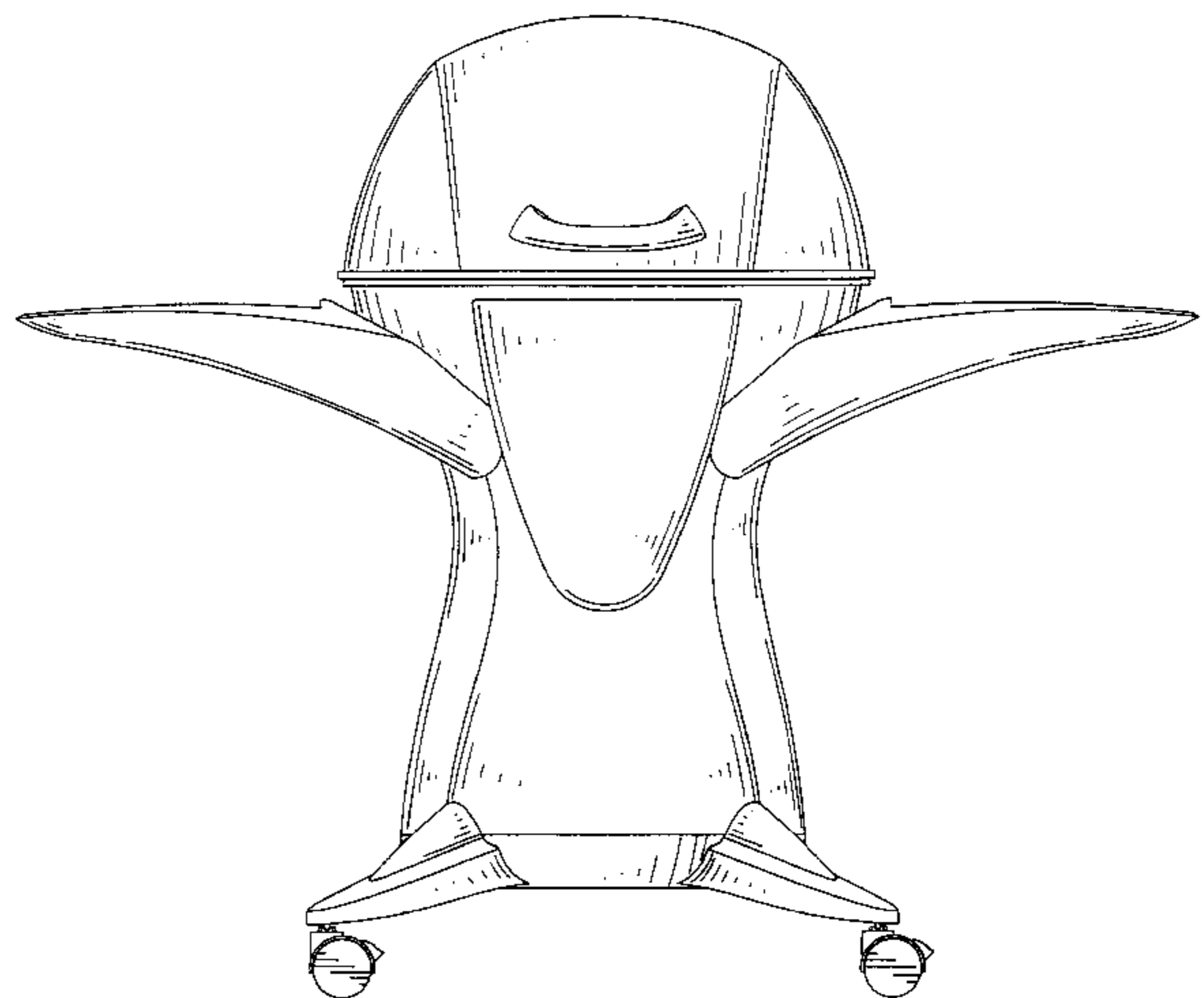
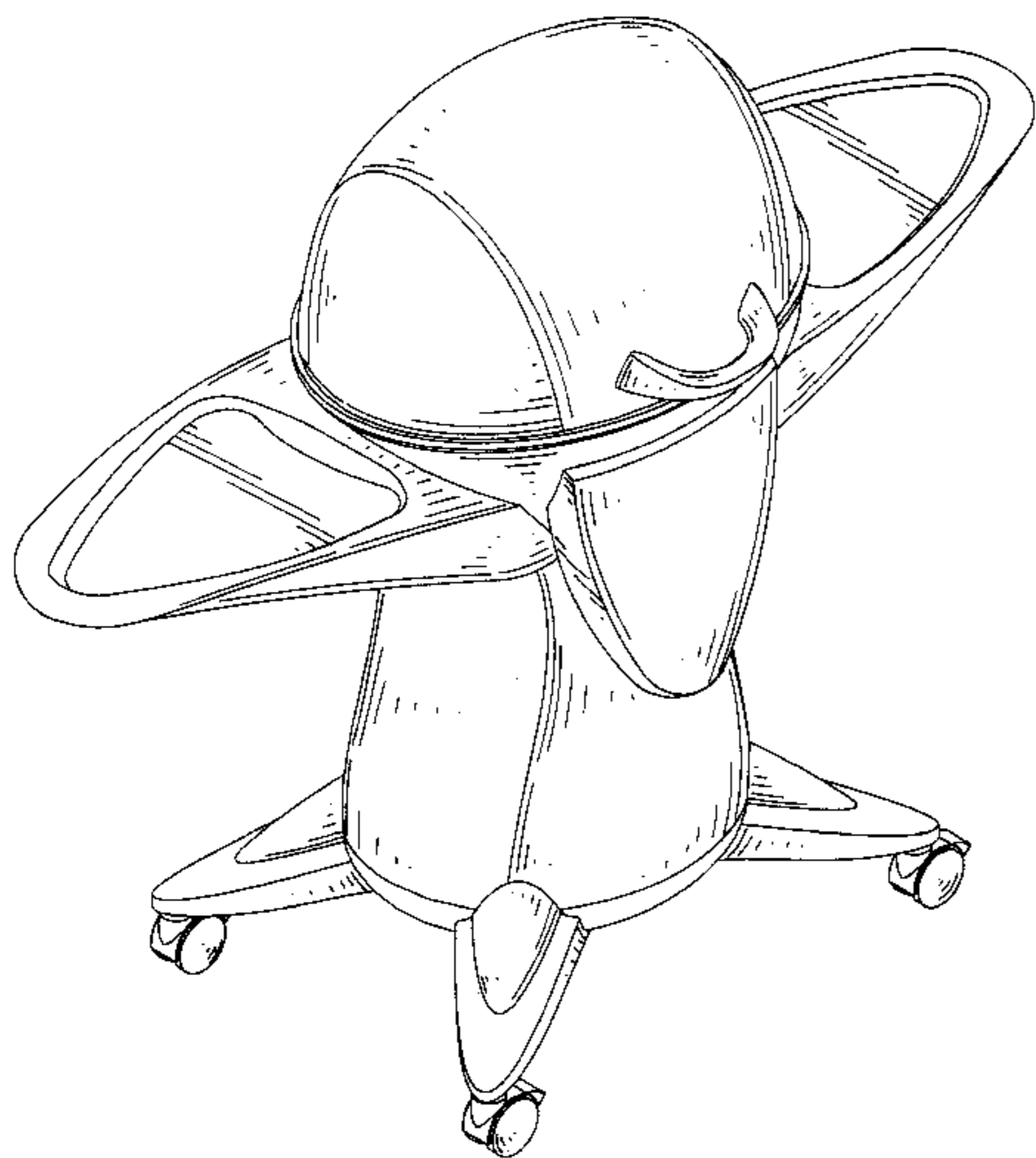
FIG. 7 is a bottom plain view thereof.

(56) **References Cited**

U.S. PATENT DOCUMENTS

D387,608 S * 12/1997 Kelly et al. D7/334
D410,812 S * 6/1999 Pai D7/334
D426,741 S * 6/2000 Pai D7/334
D450,525 S * 11/2001 Giebel et al. D7/334

1 Claim, 6 Drawing Sheets



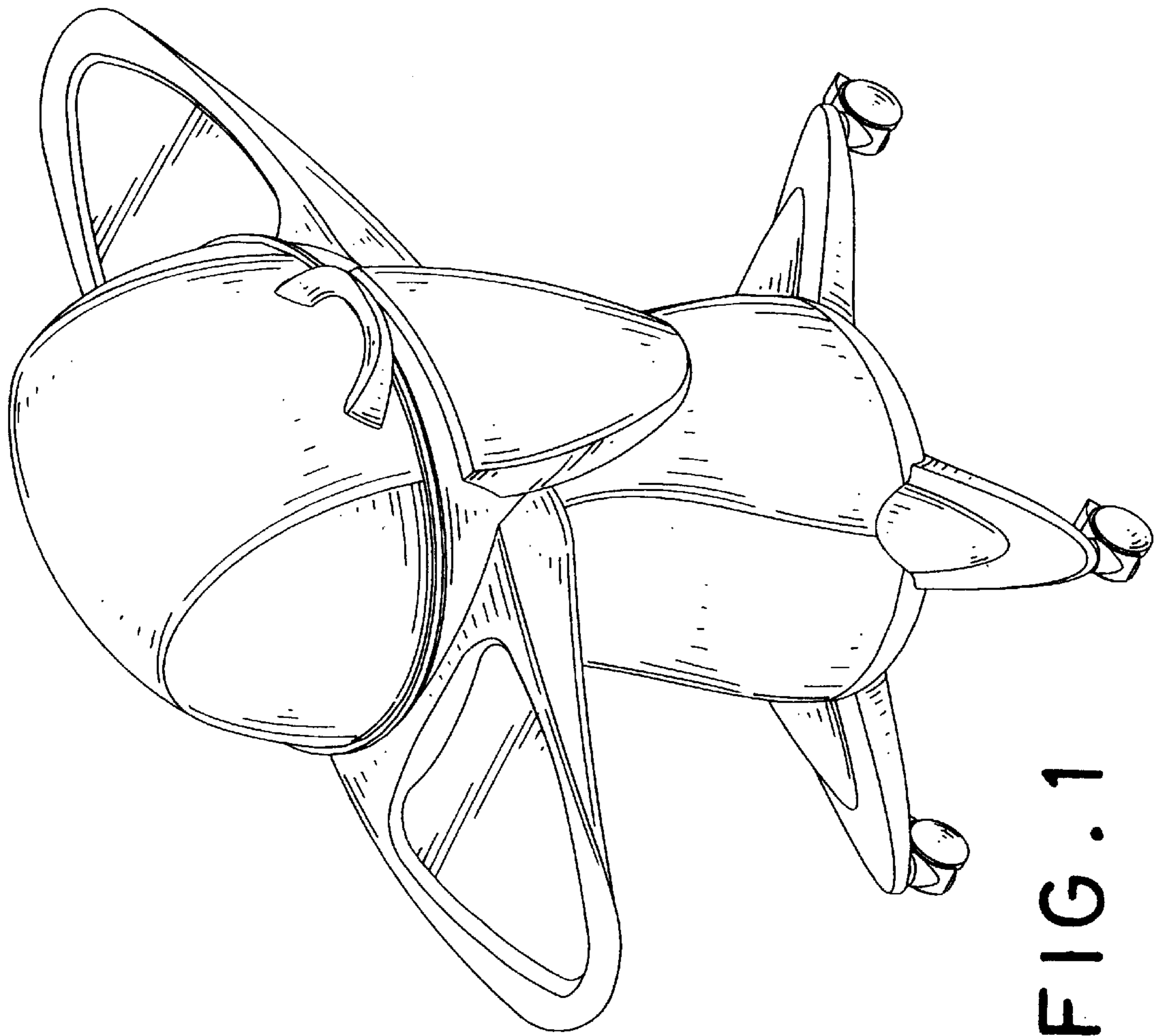


FIG. 1

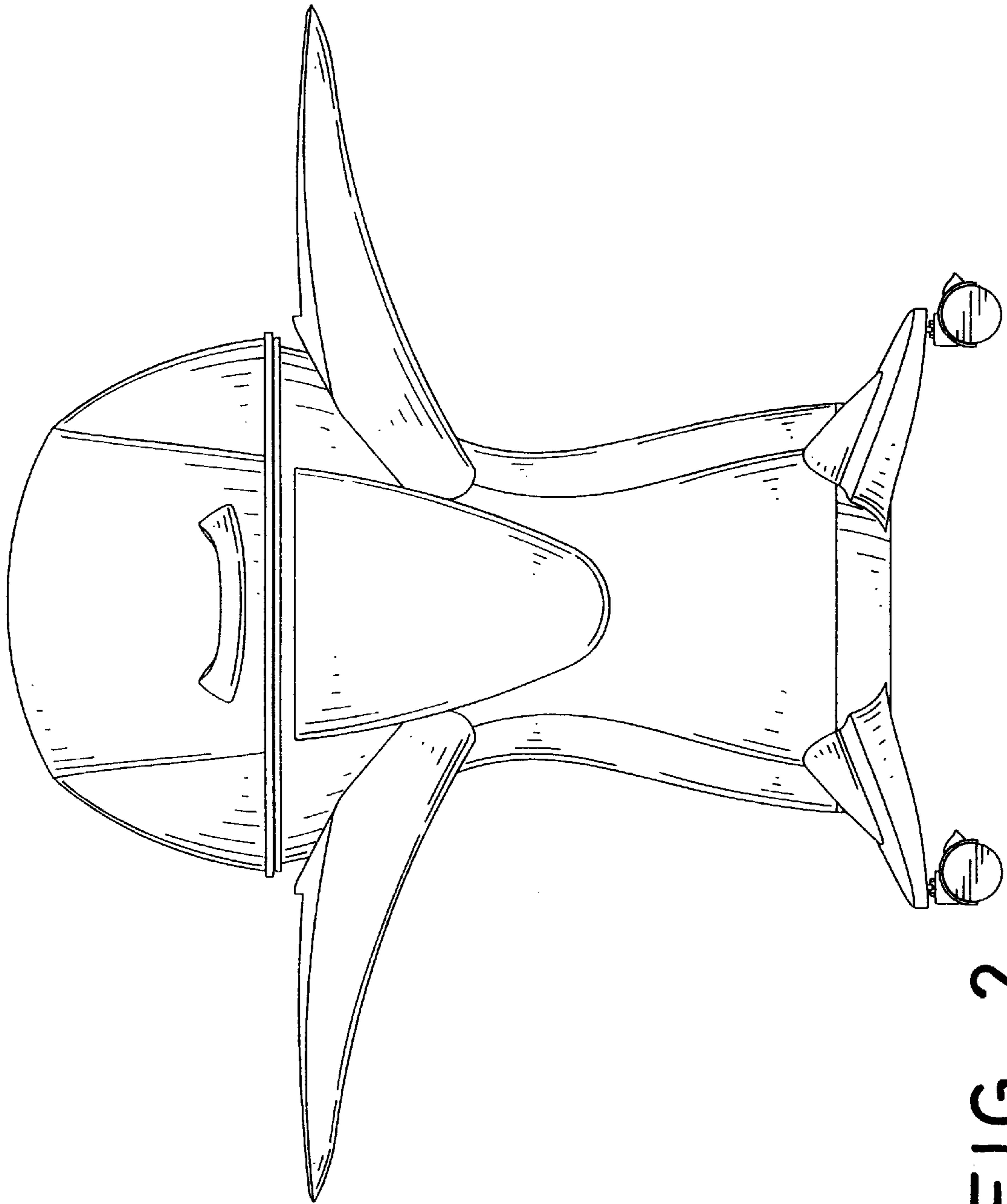


FIG. 2

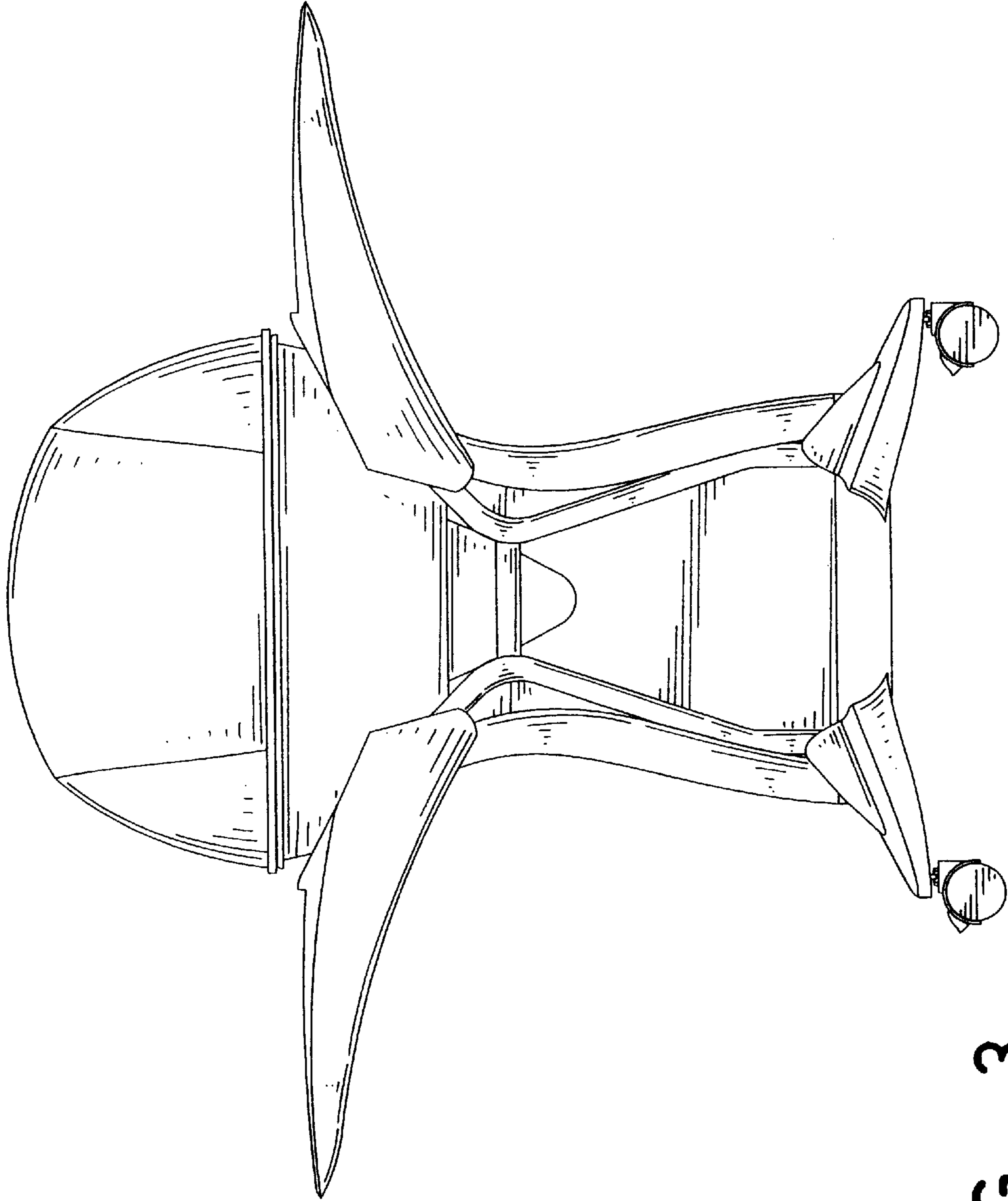


FIG. 3

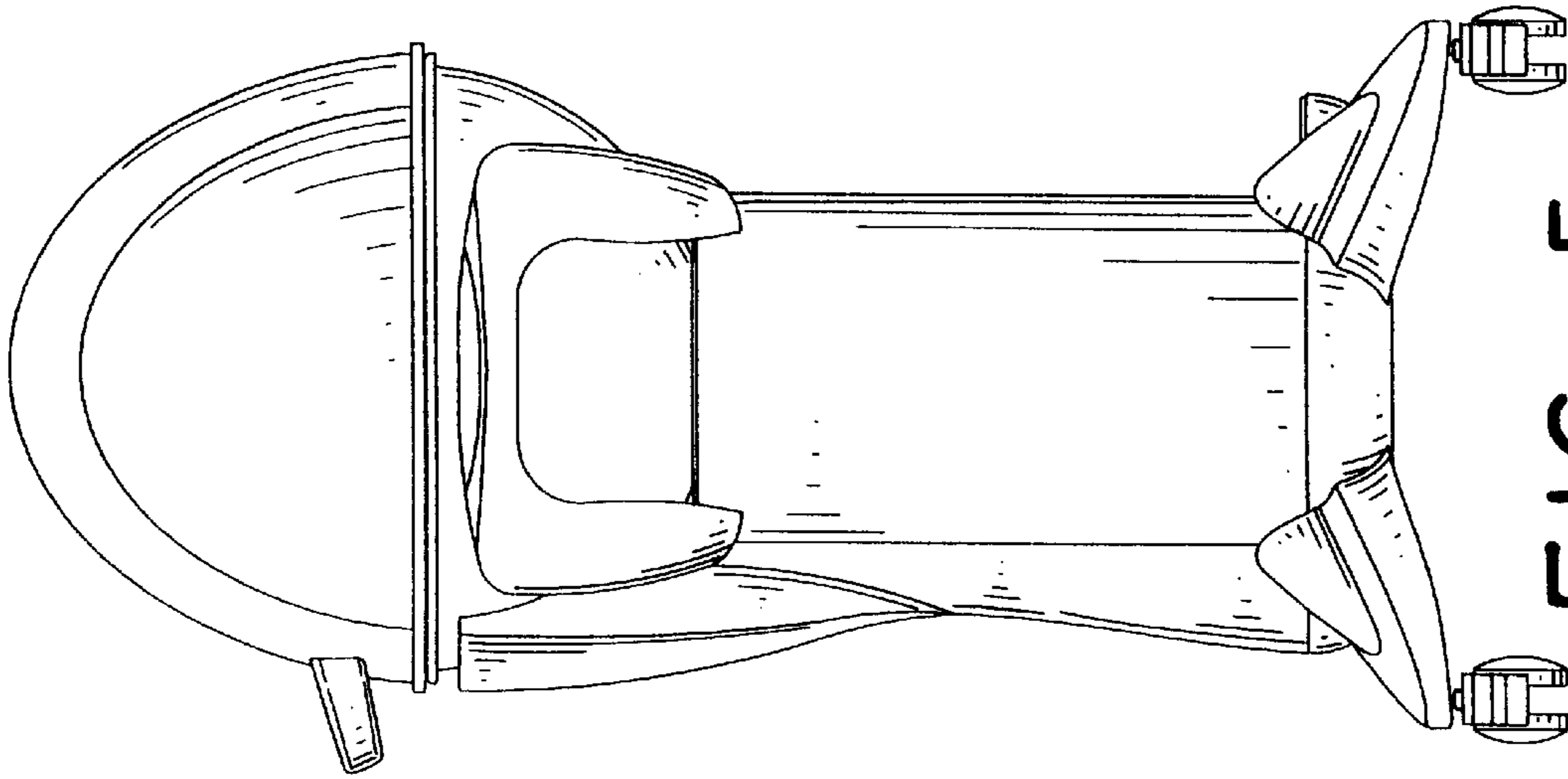


FIG. 5

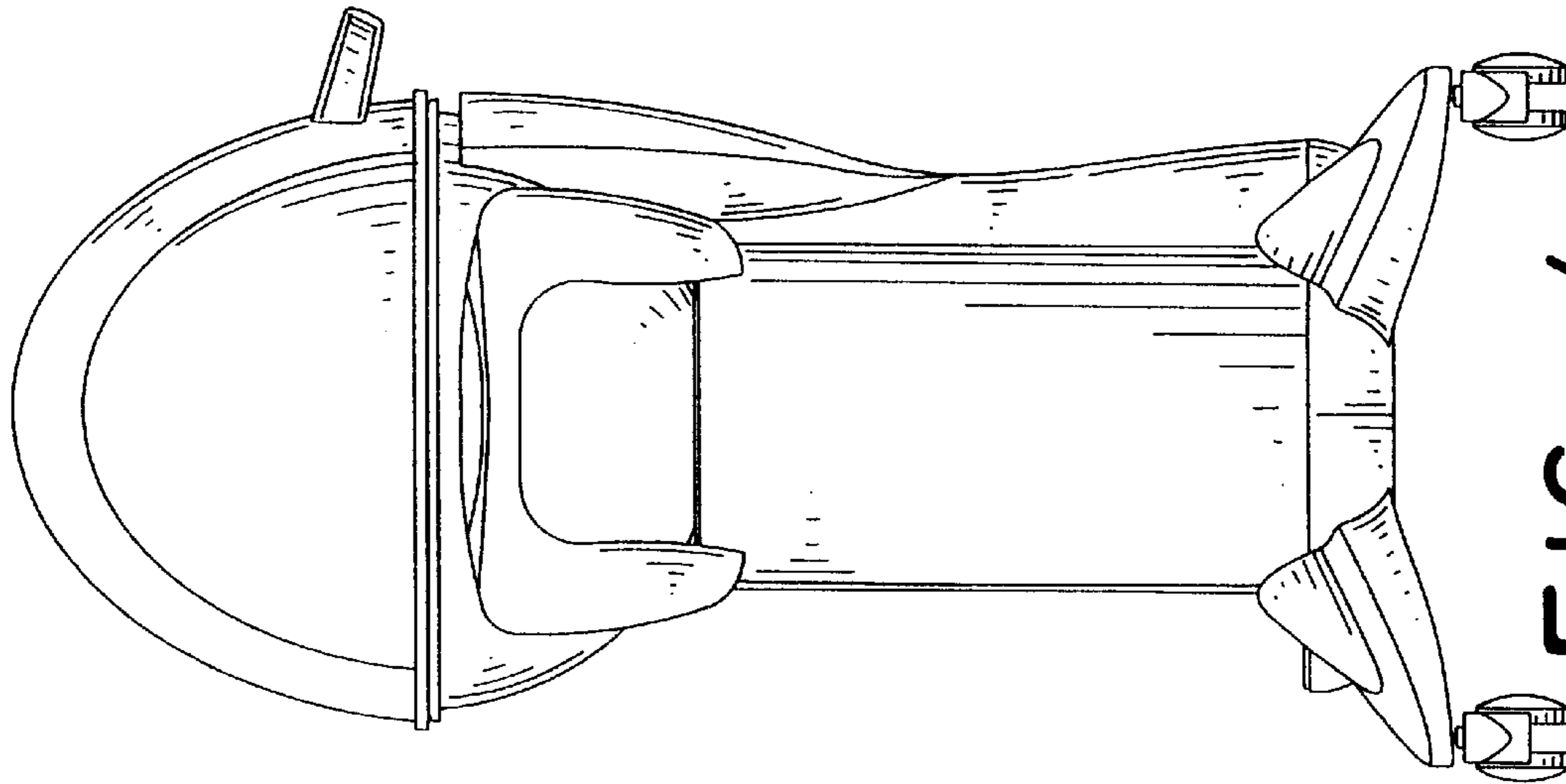


FIG. 4

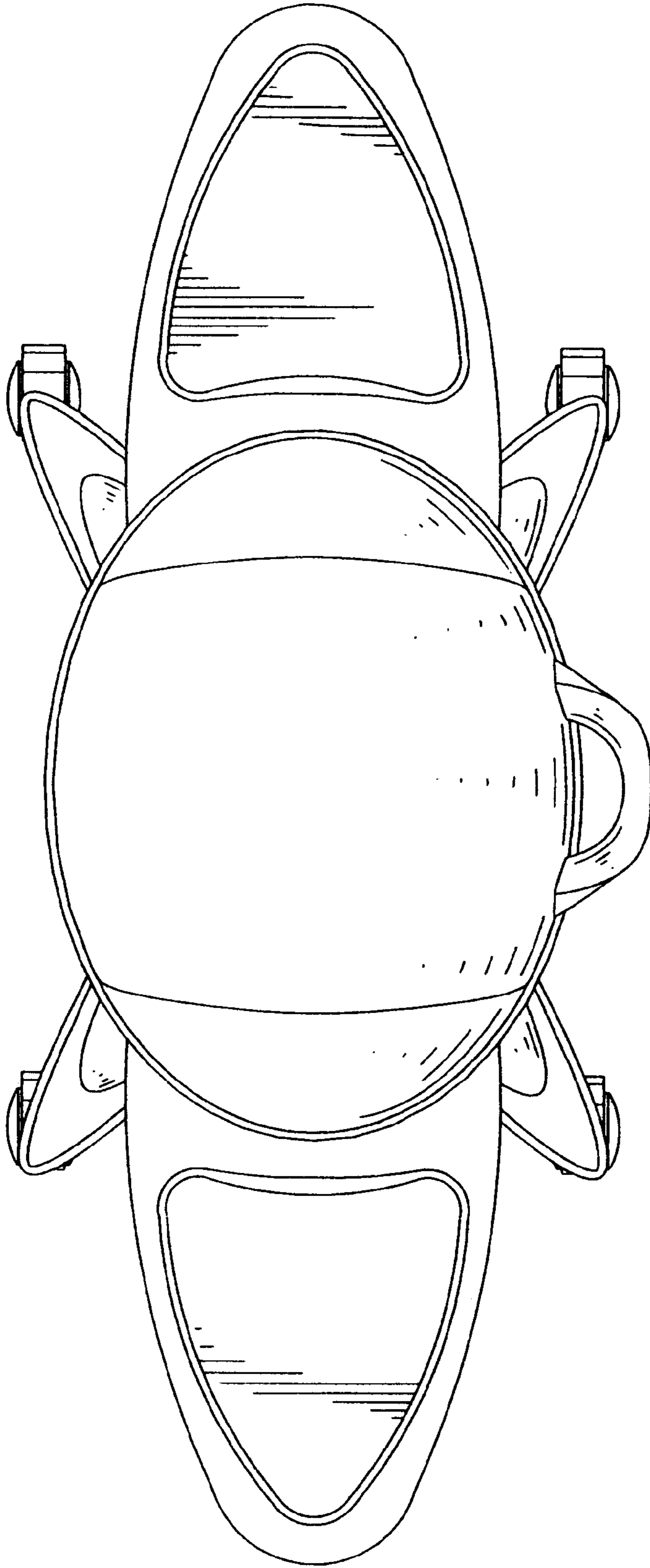


FIG. 6

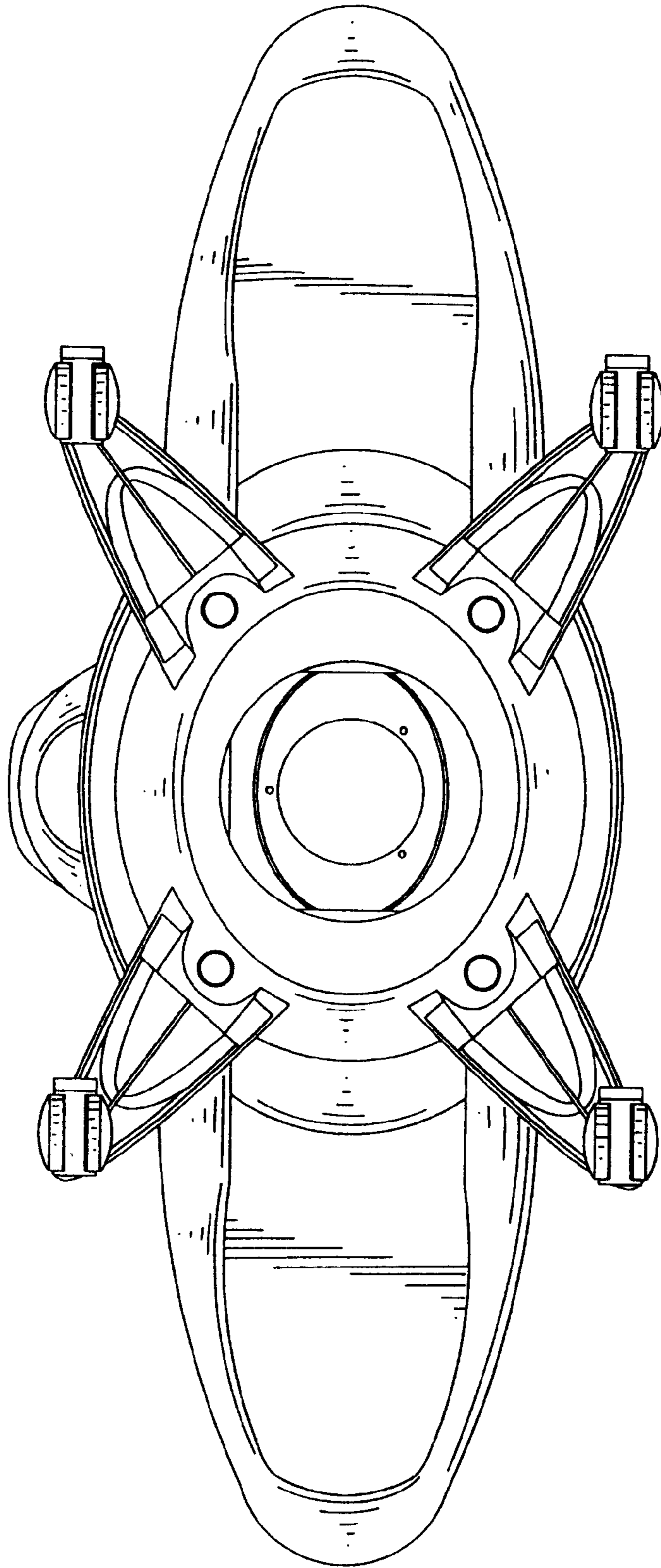


FIG. 7