



US00D463948S

(12) **United States Design Patent**  
**Innes**

(10) **Patent No.:** **US D463,948 S**

(45) **Date of Patent:** **\*\* Oct. 8, 2002**

(54) **COMBINED CAMP STOVE, GRILL, OVEN AND SMOKER**

(74) *Attorney, Agent, or Firm*—Norman M. Cameron

(76) **Inventor:** **Charles Innes**, 46031 Airport Road,  
Chilliwack, British Columbia (CA), V2P  
1A4

(57) **CLAIM**

The ornamental design for combined camp stove, grill, oven and smoker, as shown.

(\*\*) **Term:** **14 Years**

**DESCRIPTION**

(21) **Appl. No.:** **29/109,945**

FIG. 1 is a front elevational view of the combined camp stove, grill, oven and smoker showing my new design;  
FIG. 2 is a rear elevational view thereof;  
FIG. 3 is a side elevational view of one side thereof;  
FIG. 4 is a side elevational view of a side opposite the side of FIG. 3;

(22) **Filed:** **Aug. 27, 1999**

(51) **LOC (7) Cl.** ..... **07-02**

(52) **U.S. Cl.** ..... **D7/332**

(58) **Field of Search** ..... D7/332-337, 402,  
D7/403, 339, 340, 347; 126/25 R, 25 A,  
25 AA, 25 B, 29-30, 9 R, 9 B, 39 R, 41 R,  
26, 40, 50; 99/419, 421 R, 421 HV

FIG. 5 is a top plan view thereof;  
FIG. 6 is a top plan view similar to FIG. 5 with the lid removed and the rack in place;  
FIG. 7 is a bottom plan view thereof;  
FIG. 8 is a front elevational view thereof with the upper vessel removed;  
FIG. 9 is a rear elevational view with the upper vessel removed;  
FIG. 10 is a side elevational view thereof showing one side thereof;  
FIG. 11 is a side elevational view thereof showing a side opposite that of FIG. 10;  
FIG. 12 is a top plan view thereof with the rack in place; and,  
FIG. 13 is a top plan view thereof with the frying pan in place.

(56) **References Cited**

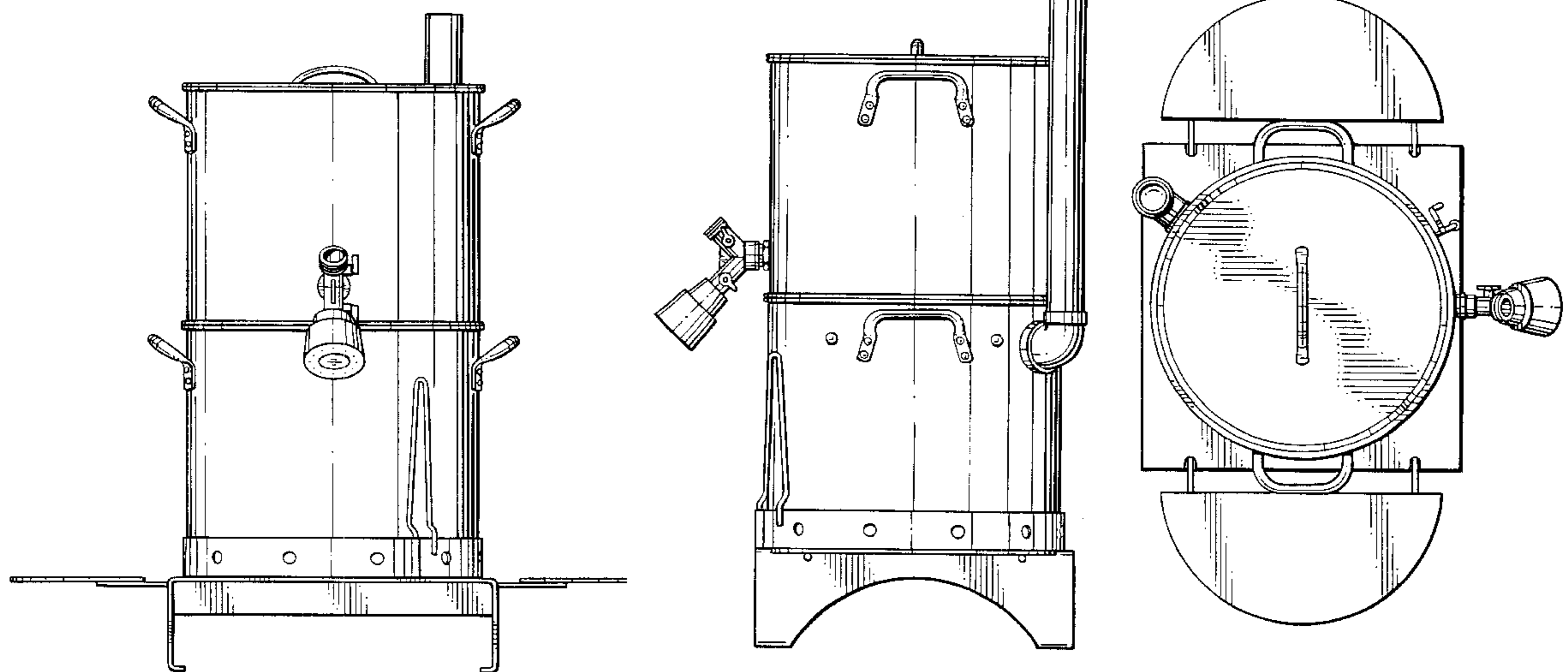
**U.S. PATENT DOCUMENTS**

D244,249 S	*	5/1977	Boswell et al.	.....	D7/332
5,216,947 A	*	6/1993	Cheng	.....	99/417
D372,631 S	*	8/1996	Athanasiadis	.....	D7/347
D374,371 S	*	10/1996	McDonald	.....	D7/332
D390,935 S	*	2/1998	Bosje et al.	.....	D23/332

\* cited by examiner

*Primary Examiner*—Ruth McInroy

**1 Claim, 13 Drawing Sheets**



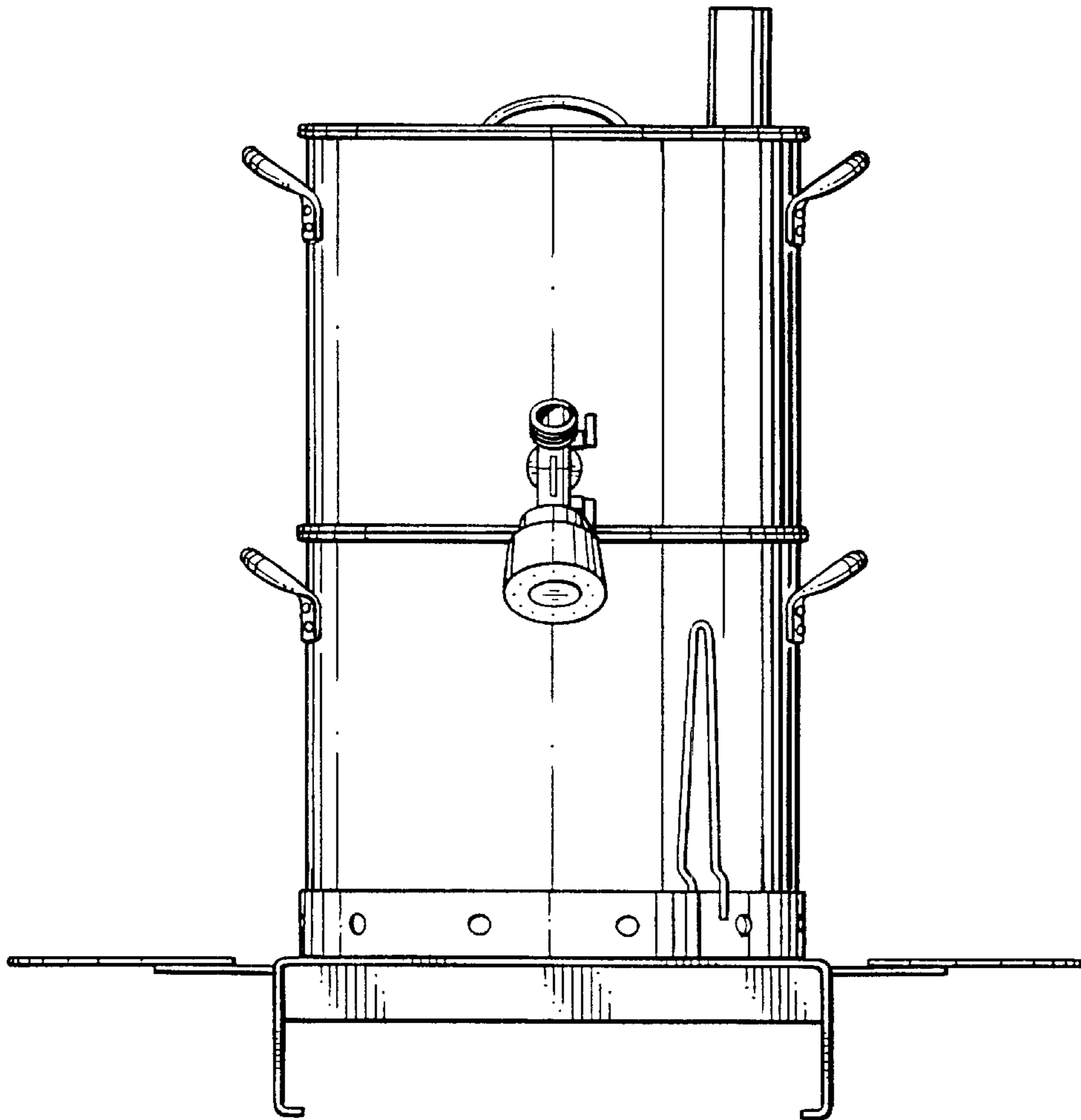


FIG. 1

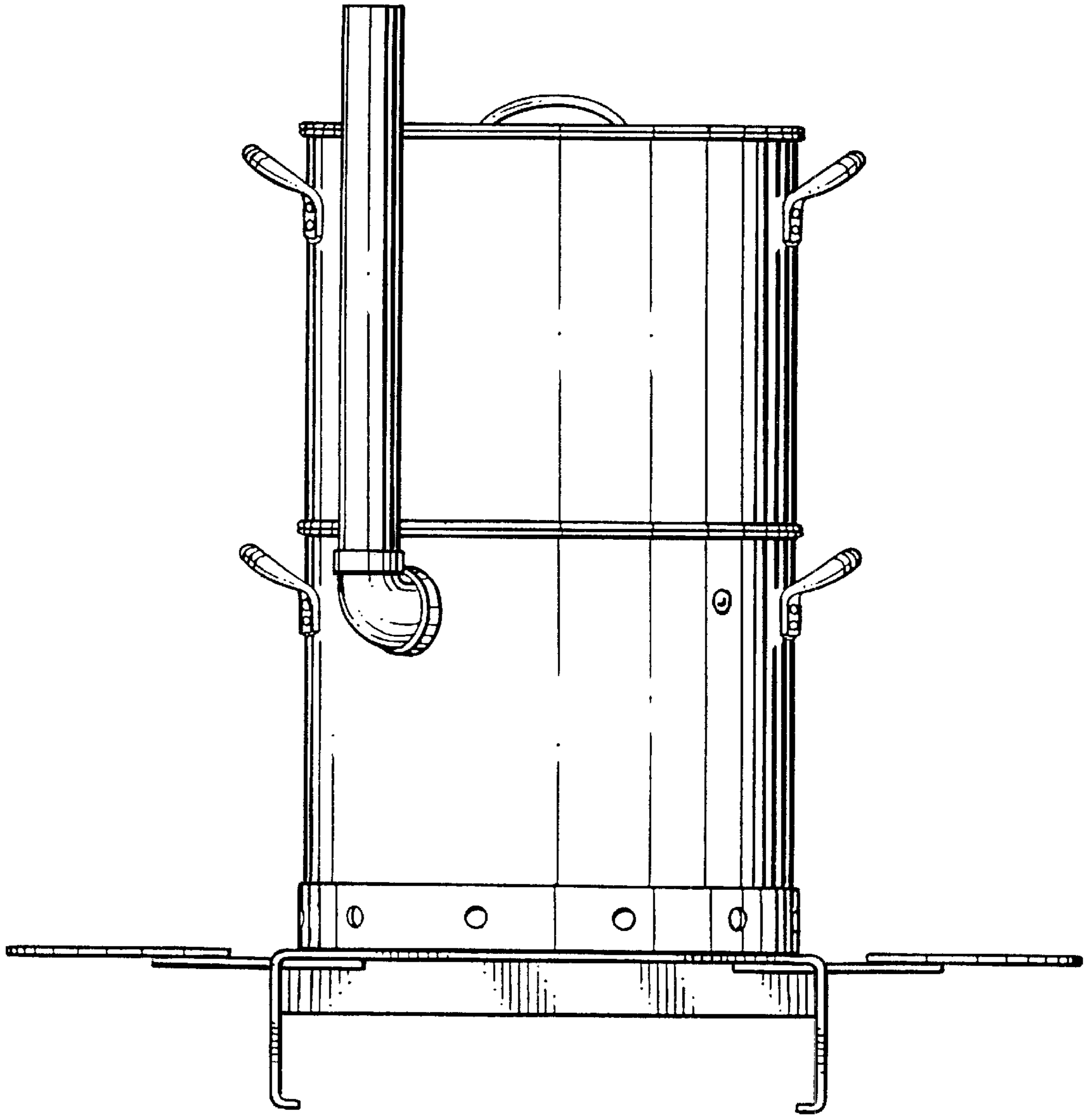


FIG. 2

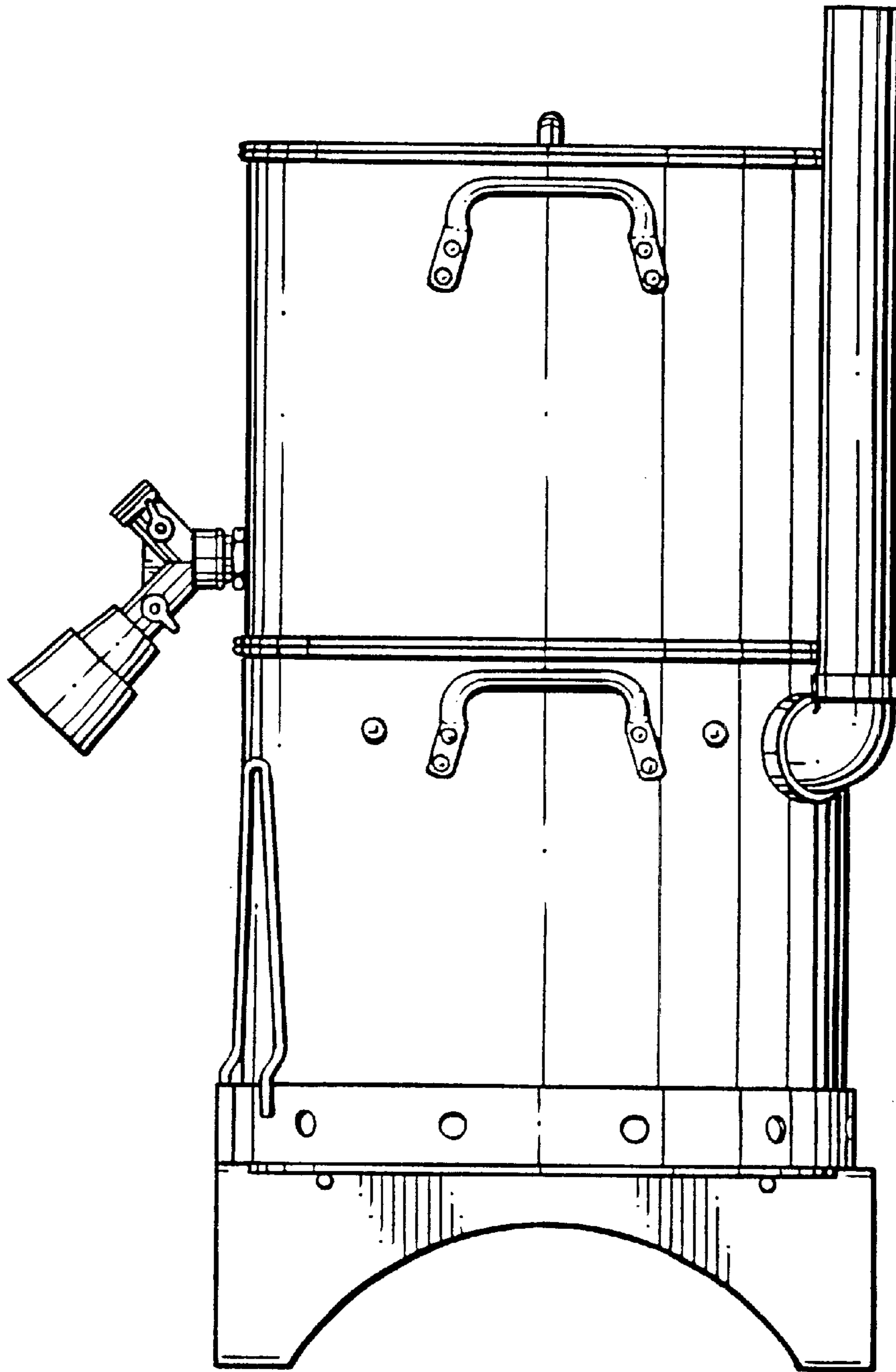


FIG. 3

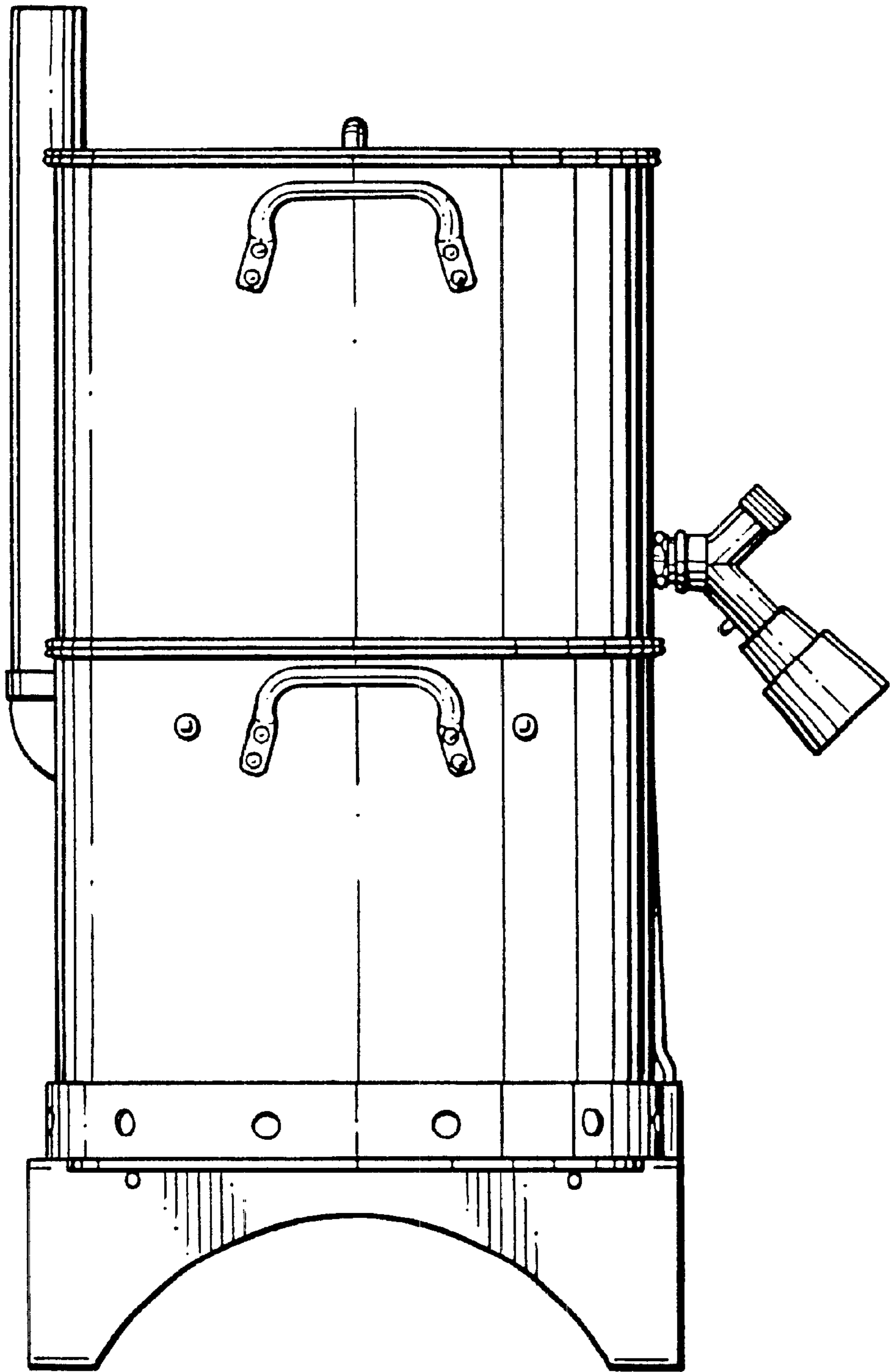


FIG. 4

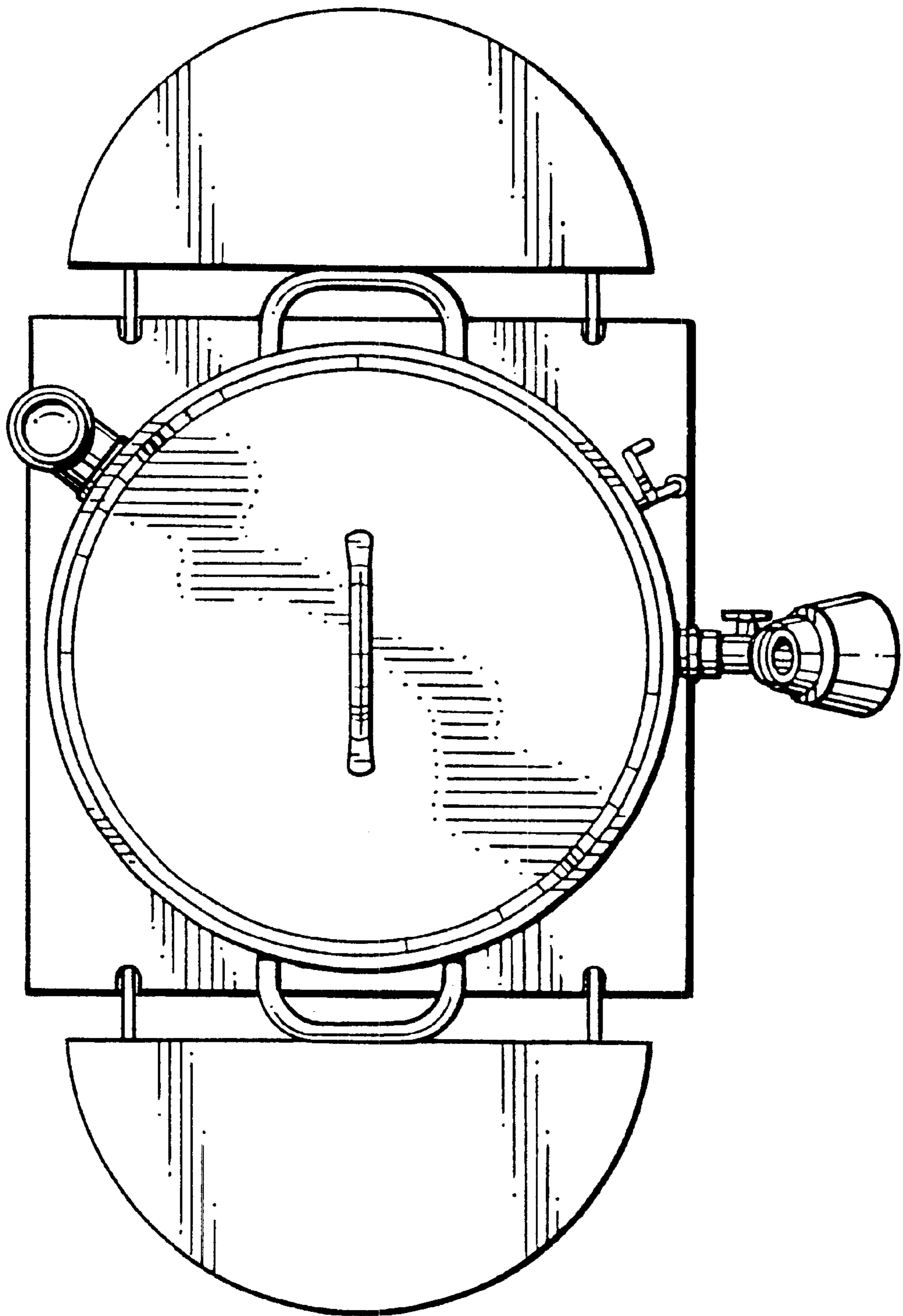


FIG. 5

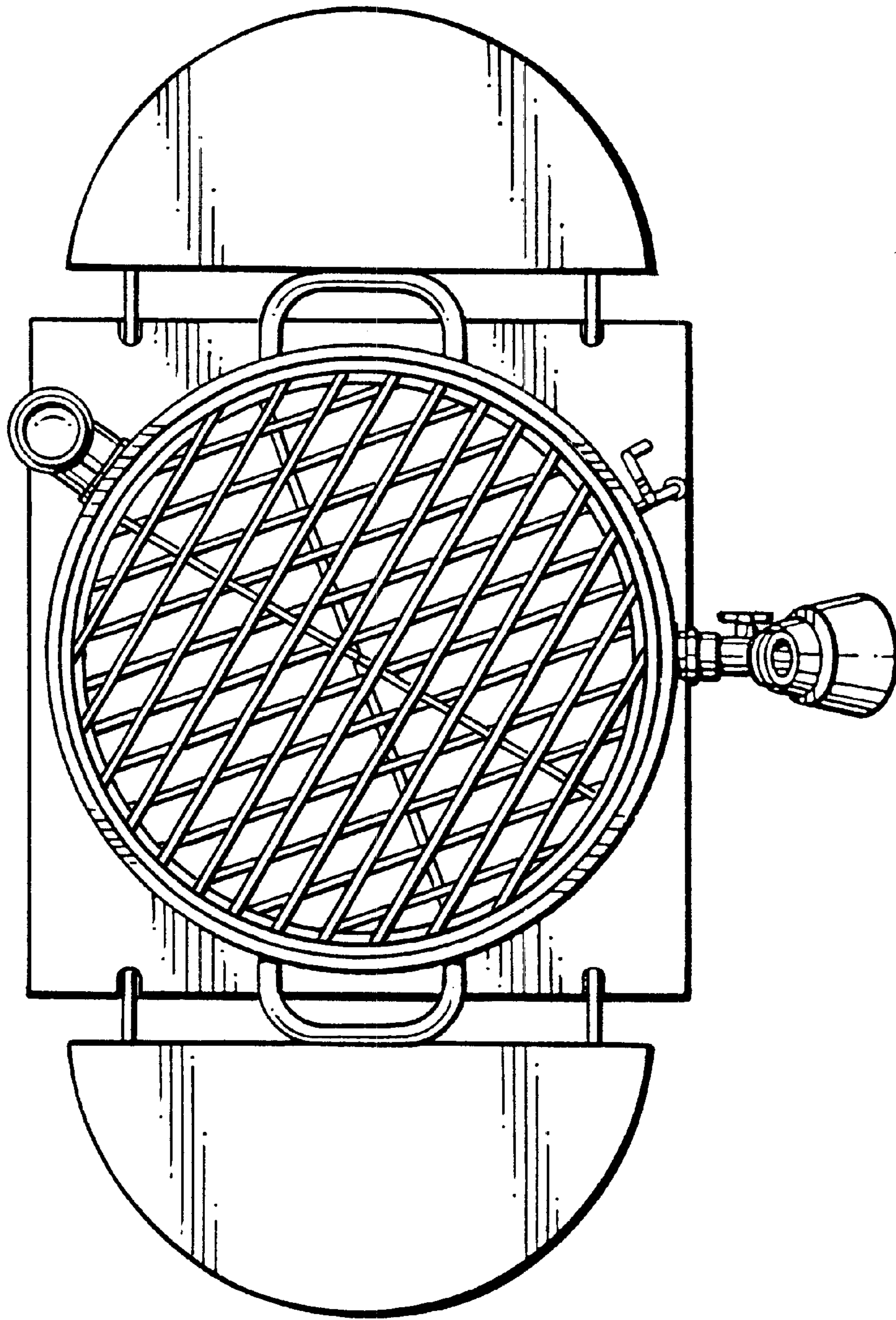


FIG. 6

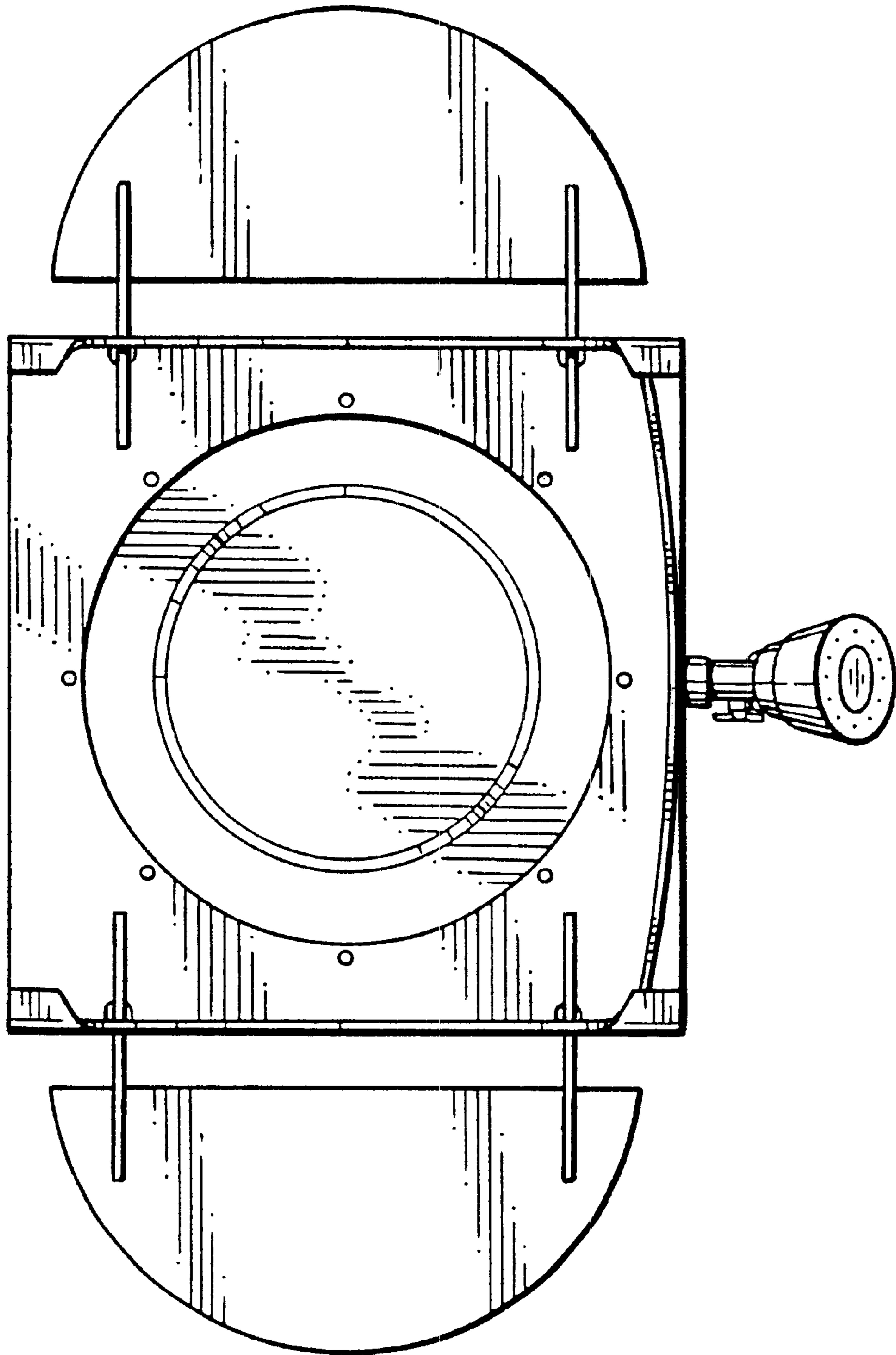


FIG. 7



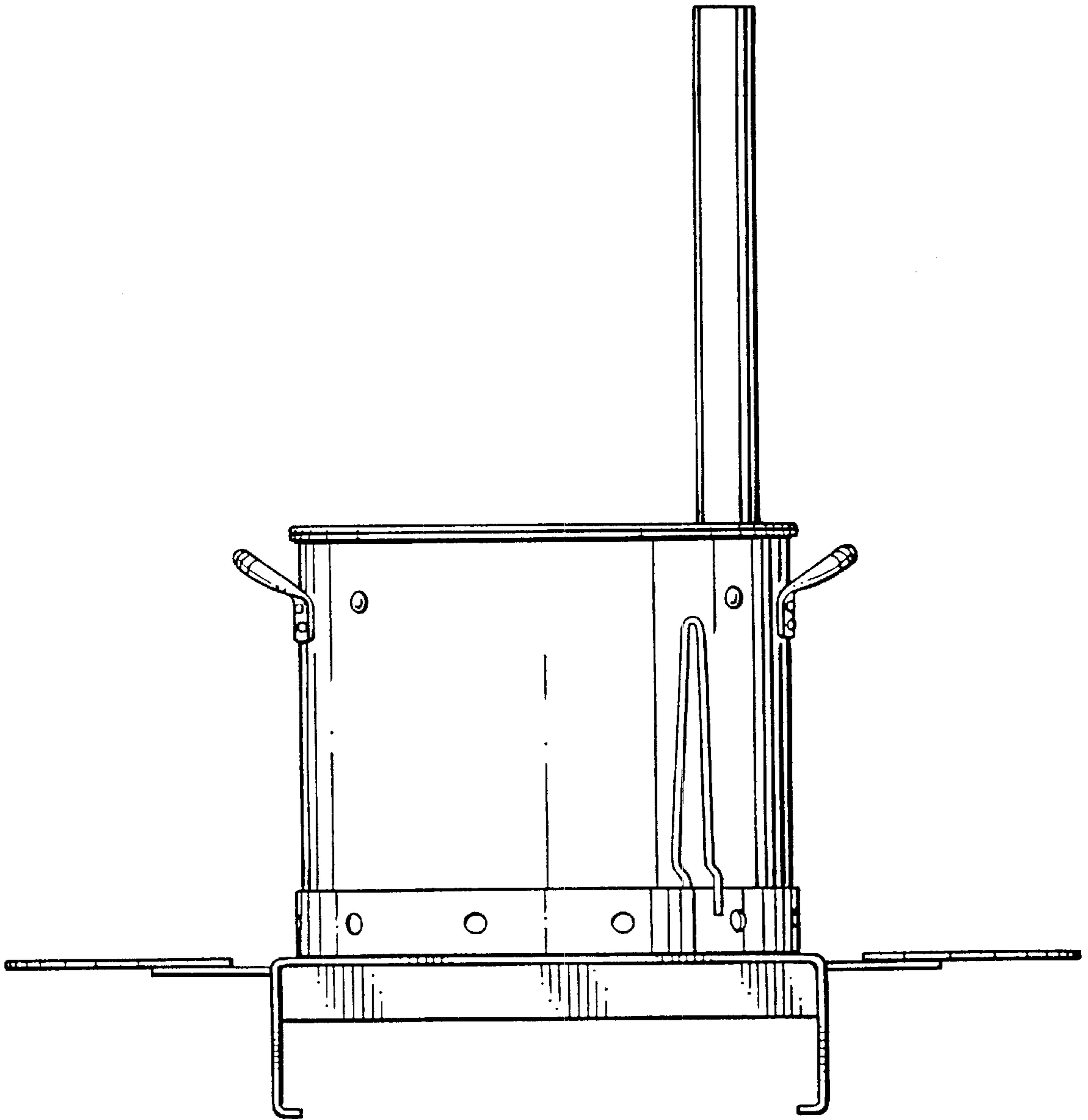


FIG. 8

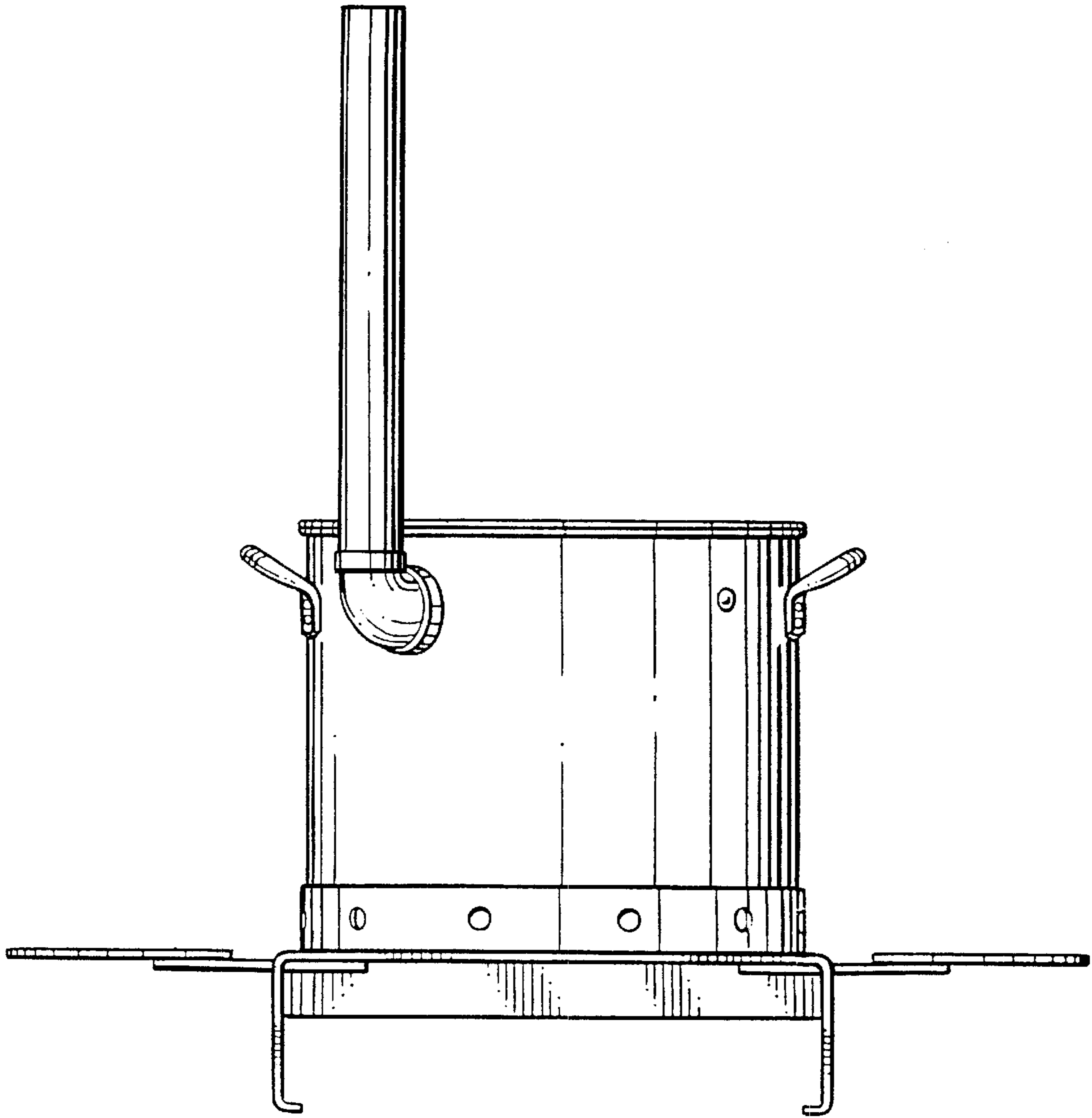


FIG. 9

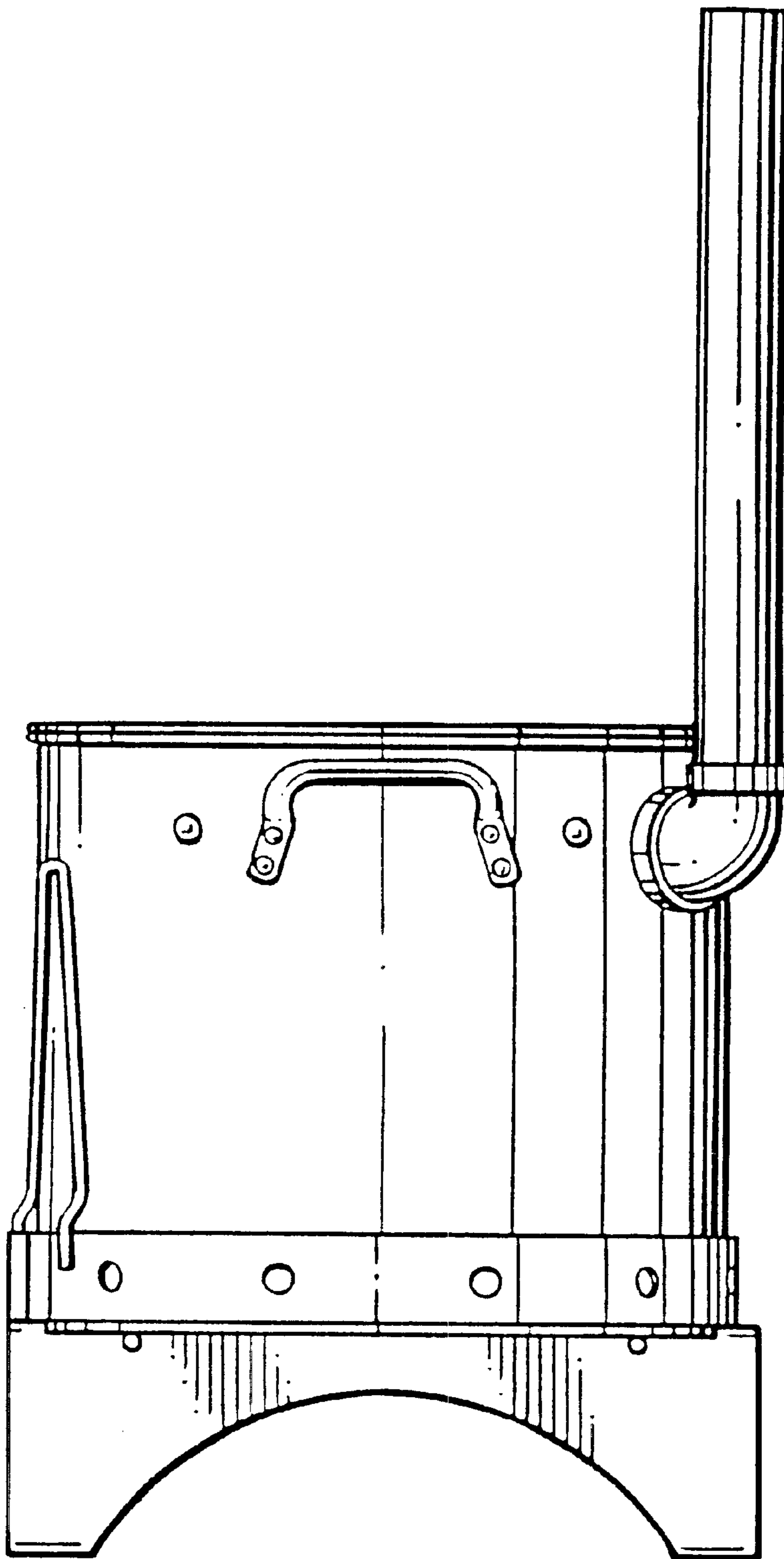


FIG. 10

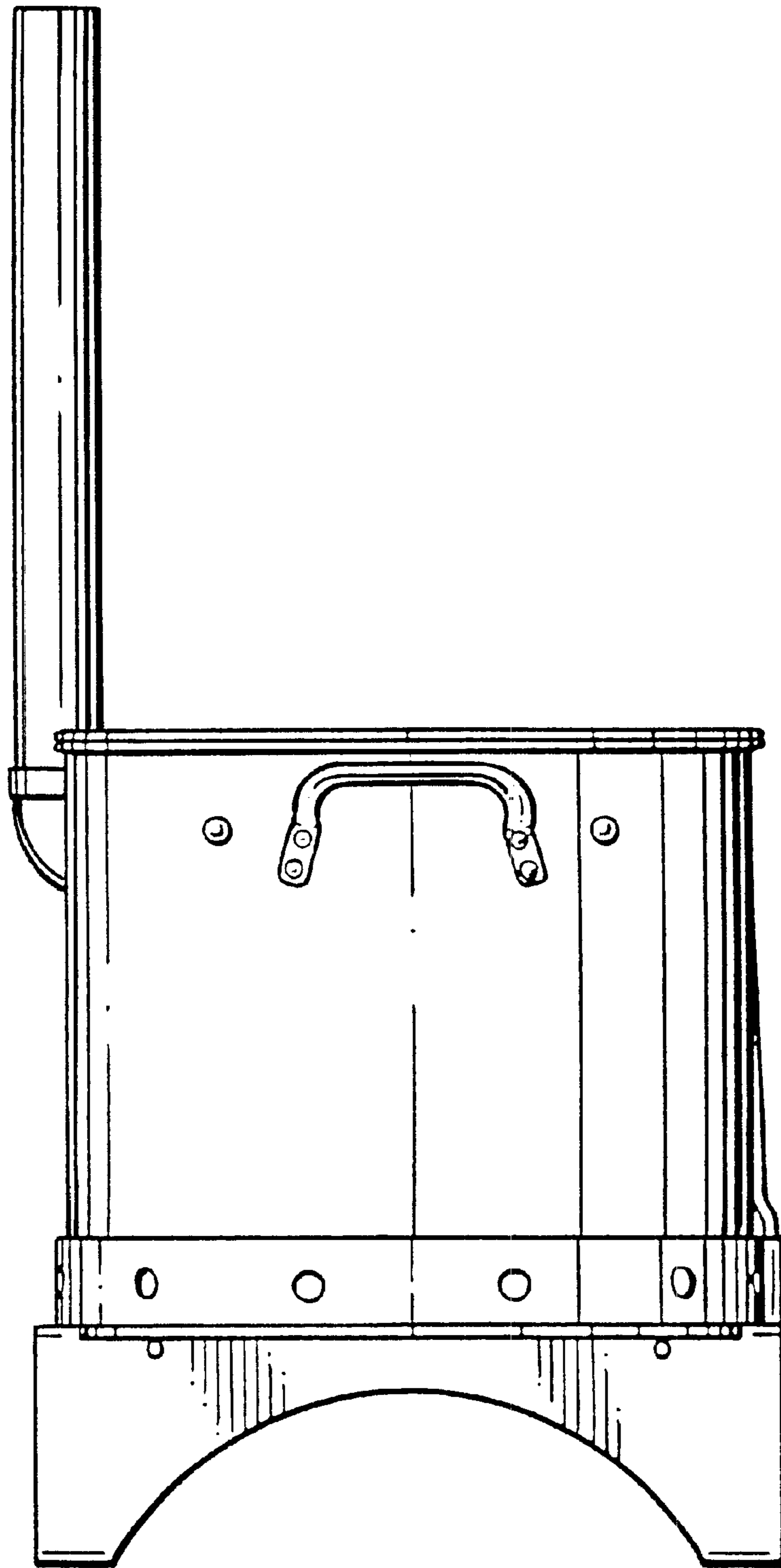


FIG. II

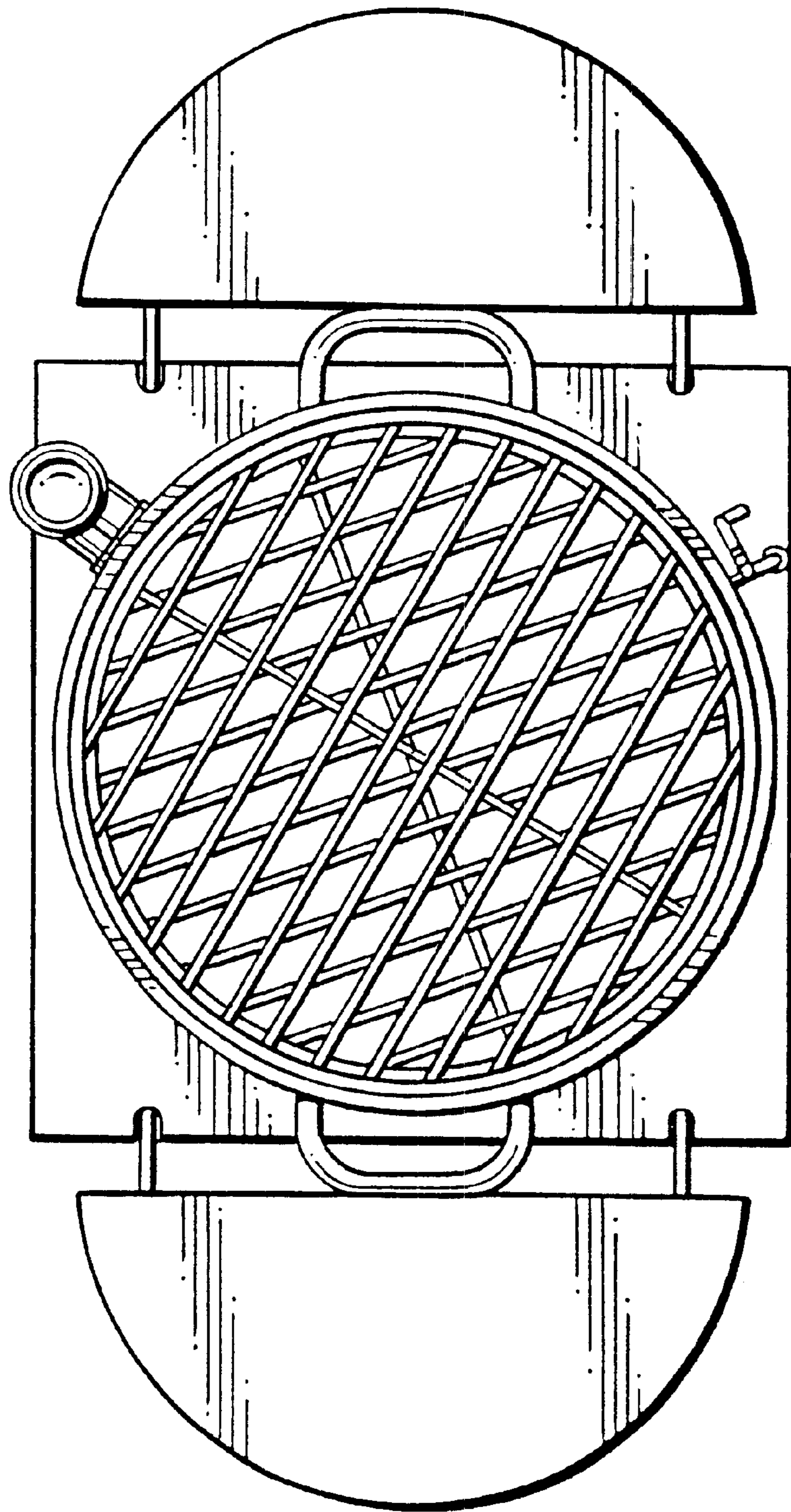


FIG. 12

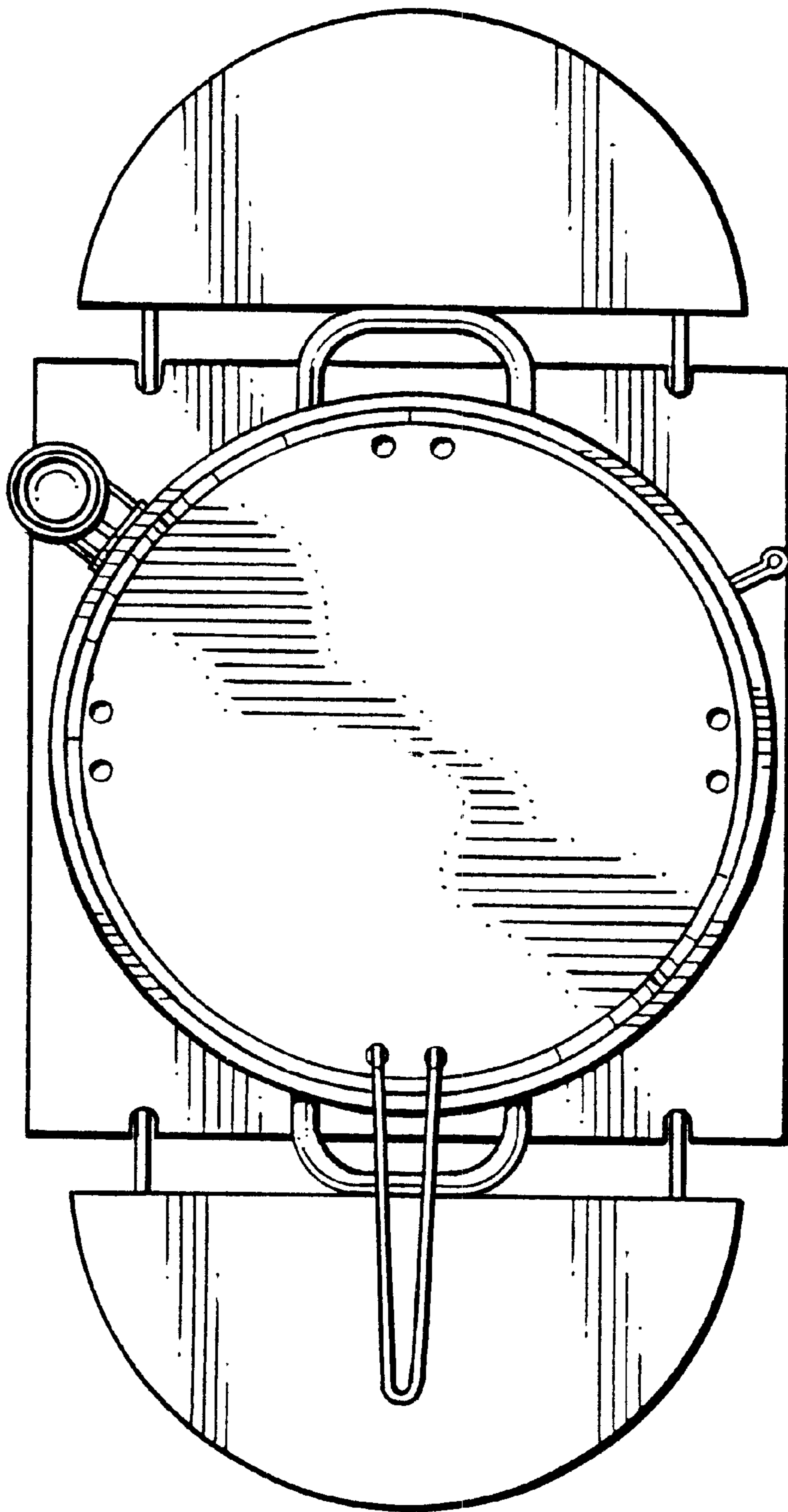


FIG. 13