



US00D463947S

(12) **United States Design Patent**
Choi

(10) **Patent No.:** **US D463,947 S**

(45) **Date of Patent:** **** Oct. 8, 2002**

(54) **KETTLE**

(75) **Inventor:** **Lung Wai Choi, Kowloon (HK)**

(73) **Assignee:** **Goodway Electrical Co. Ltd.,
Kowloon (HK)**

(**) **Term:** **14 Years**

(21) **Appl. No.:** **29/136,516**

(22) **Filed:** **Jan. 31, 2001**

(30) **Foreign Application Priority Data**

Oct. 12, 2000 (GB) 2096577

(51) **LOC (7) Cl.** **07-01**

(52) **U.S. Cl.** **D7/319; D7/322; D7/317**

(58) **Field of Search** **D7/300, 316, 317,
D7/318, 319, 321, 322, 312; 99/285, 283,
307, 306; 215/396; 220/374**

(56) **References Cited**

U.S. PATENT DOCUMENTS

D161,603 S	*	1/1951	Wright	D7/317
D191,005 S		8/1961	Jepson		
3,218,435 A		11/1965	Mandziak		
D287,807 S	*	1/1987	Wilson	D7/317
4,825,759 A	*	5/1989	Grome et al.	99/307
D335,238 S	*	5/1993	Correa et al.	D7/317
D335,239 S	*	5/1993	Crunden et al.	D7/317
D345,669 S	*	4/1994	Piret	D7/319
D345,670 S	*	4/1994	Piret	D7/319
D362,151 S	*	9/1995	Wilson et al.	D7/319
D362,582 S	*	9/1995	Wilson et al.	D7/319
D363,188 S		10/1995	Saltet		
D366,388 S	*	1/1996	Anghini	D7/317
D367,201 S	*	2/1996	Joergensen	D7/305
D367,394 S	*	2/1996	Wai	D7/305
D369,058 S		4/1996	Simmons		
D375,866 S	*	11/1996	Wai	D7/319

D381,858 S	*	8/1997	Richaud	D7/319
D389,007 S	*	1/1998	Bouhuys	D7/319
D390,743 S	*	2/1998	Saltet	D7/319
D396,378 S	*	7/1998	Hensel	D7/319
D399,090 S	*	10/1998	Green	D7/319
D413,223 S	*	8/1999	Choi	D7/319
D413,481 S	*	9/1999	Choi	D7/319
D427,478 S	*	7/2000	Littmann et al.	D7/318
D437,175 S	*	2/2001	Brady	D7/319
D439,466 S	*	3/2001	Bouhuys	D7/319
D453,280 S	*	2/2002	Schulein	D7/319

* cited by examiner

Primary Examiner—M. N. Pandozzi

(74) *Attorney, Agent, or Firm*—Christensen O'Connor Johnson Kindness PLLC

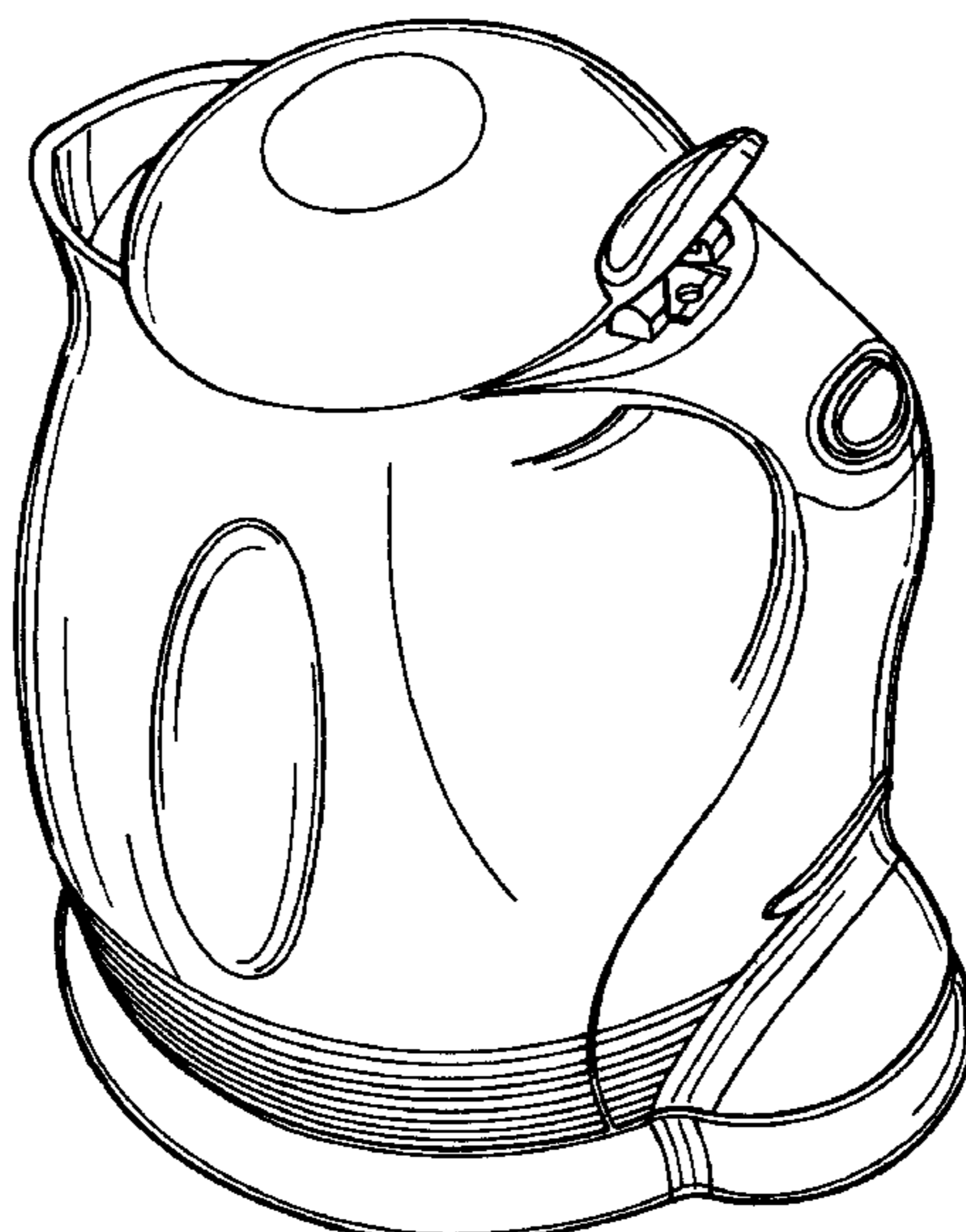
(57) **CLAIM**

I claim the ornamental design for a kettle, as shown and described.

DESCRIPTION

FIG. 1 is a perspective view of my kettle and base attachment;
 FIG. 2 is a top plan view thereof;
 FIG. 3 is a bottom plan view of my kettle with the base attachment detached;
 FIG. 4 is a side elevational view of one side thereof;
 FIG. 5 is a front elevational view thereof;
 FIG. 6 is a rear elevational view thereof;
 FIG. 7 is a side elevational view of the opposite side from FIG. 4;
 FIG. 8 is a bottom plan view of my kettle with the base attachment attached;
 FIG. 9 is a top plan view of the kettle with the upper kettle portion removed for ease of illustration leaving only the base; and,
 FIG. 10 is a front elevational view thereof.

1 Claim, 5 Drawing Sheets



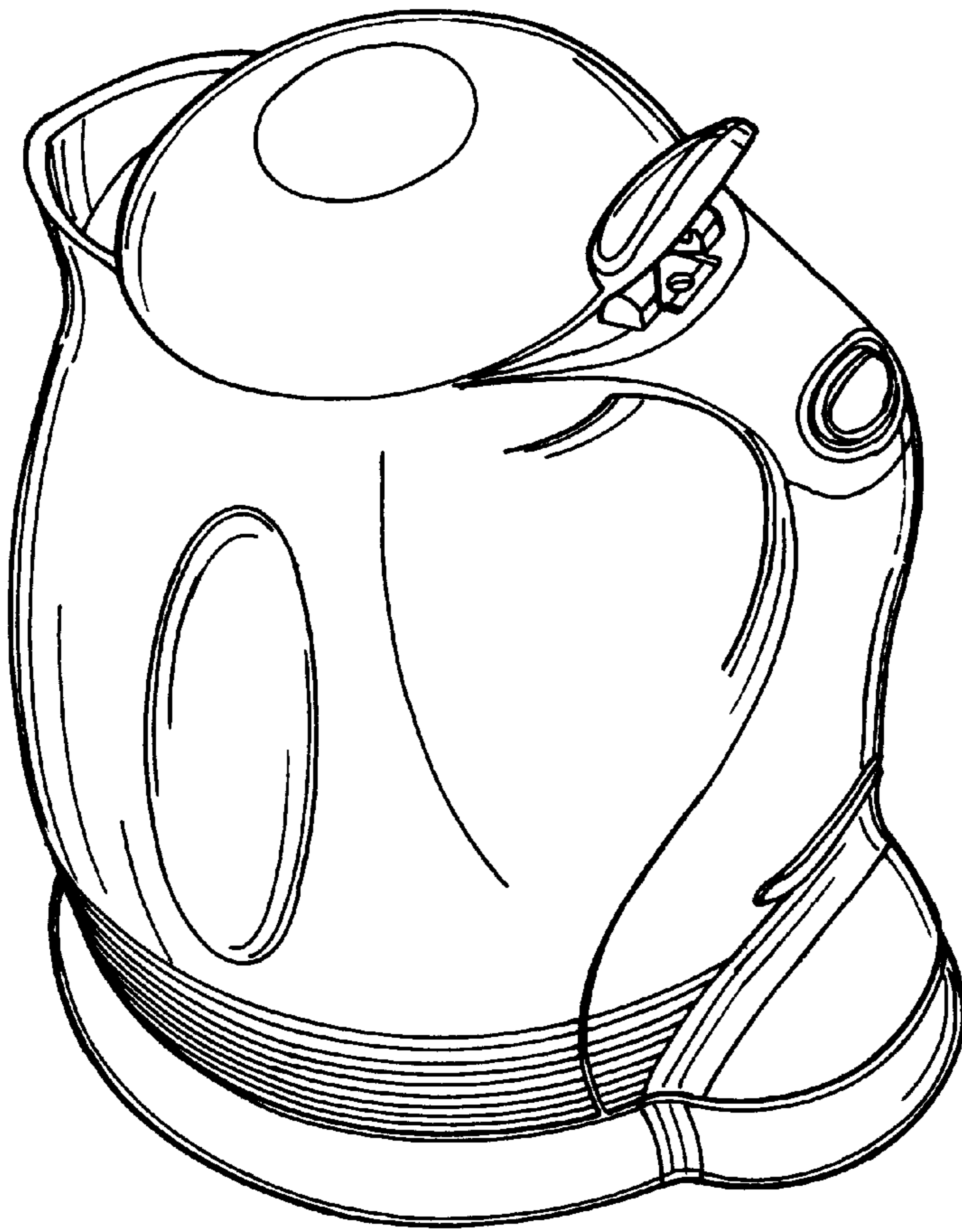


FIG 1

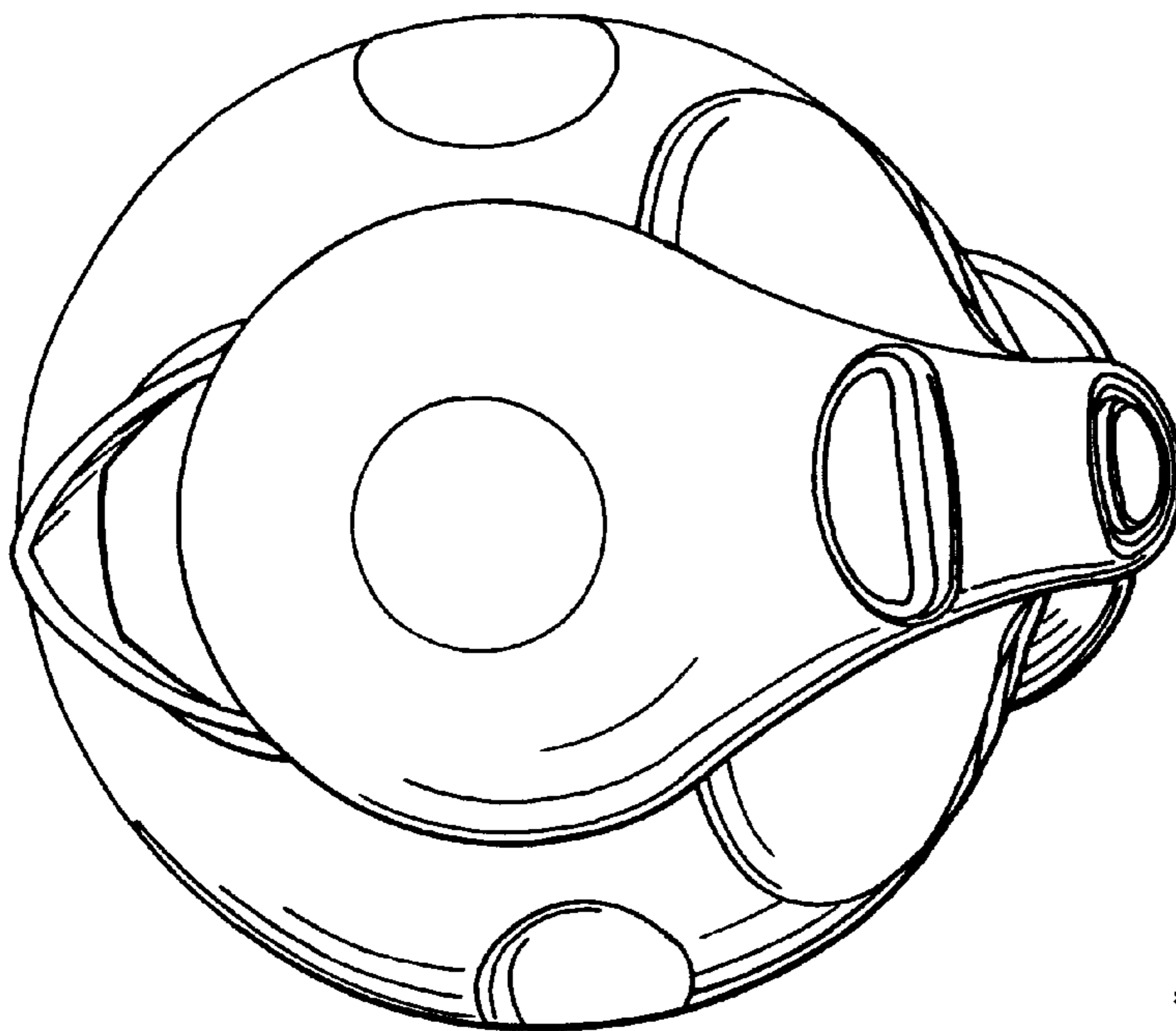


FIG 2

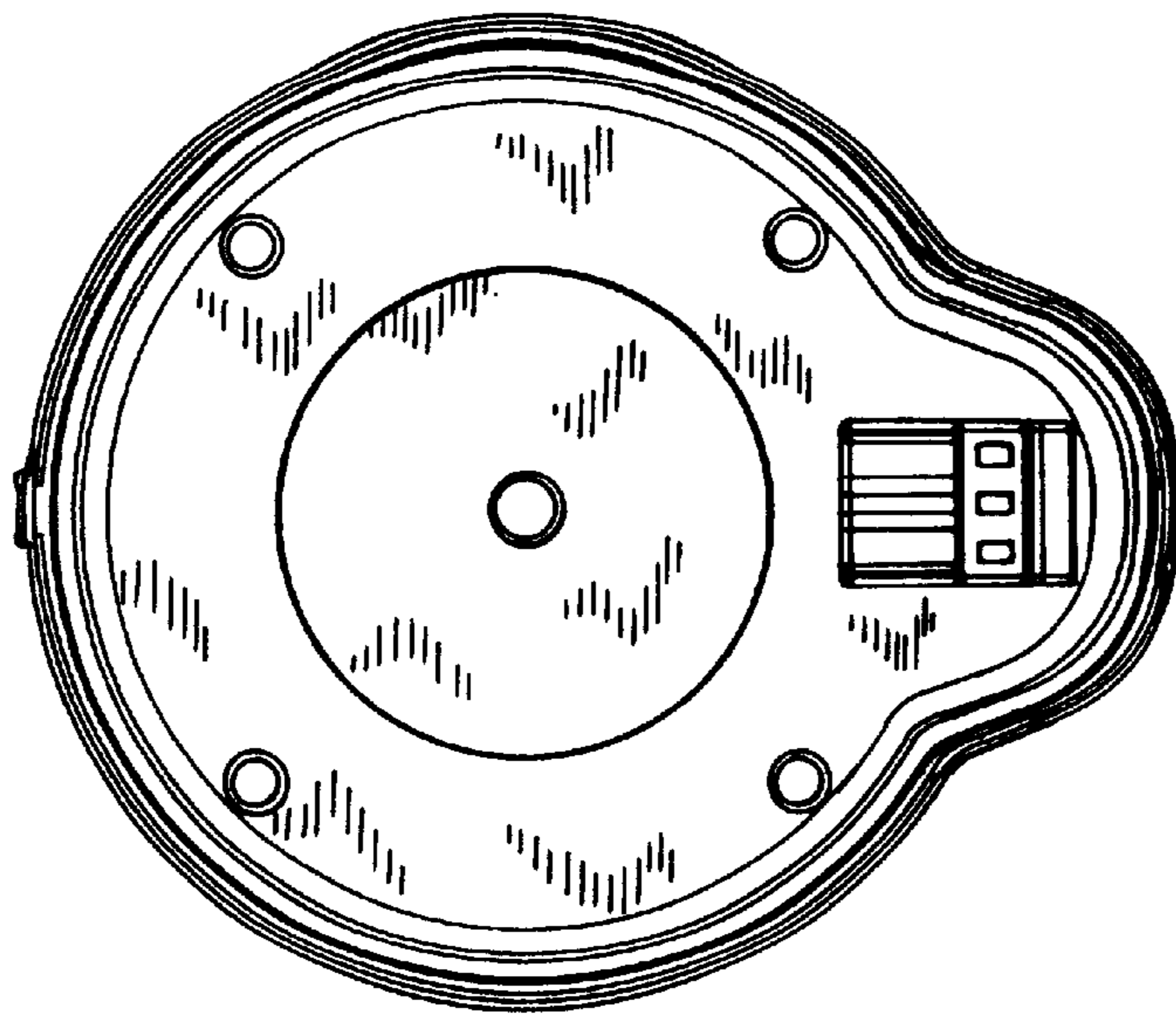


FIG 3

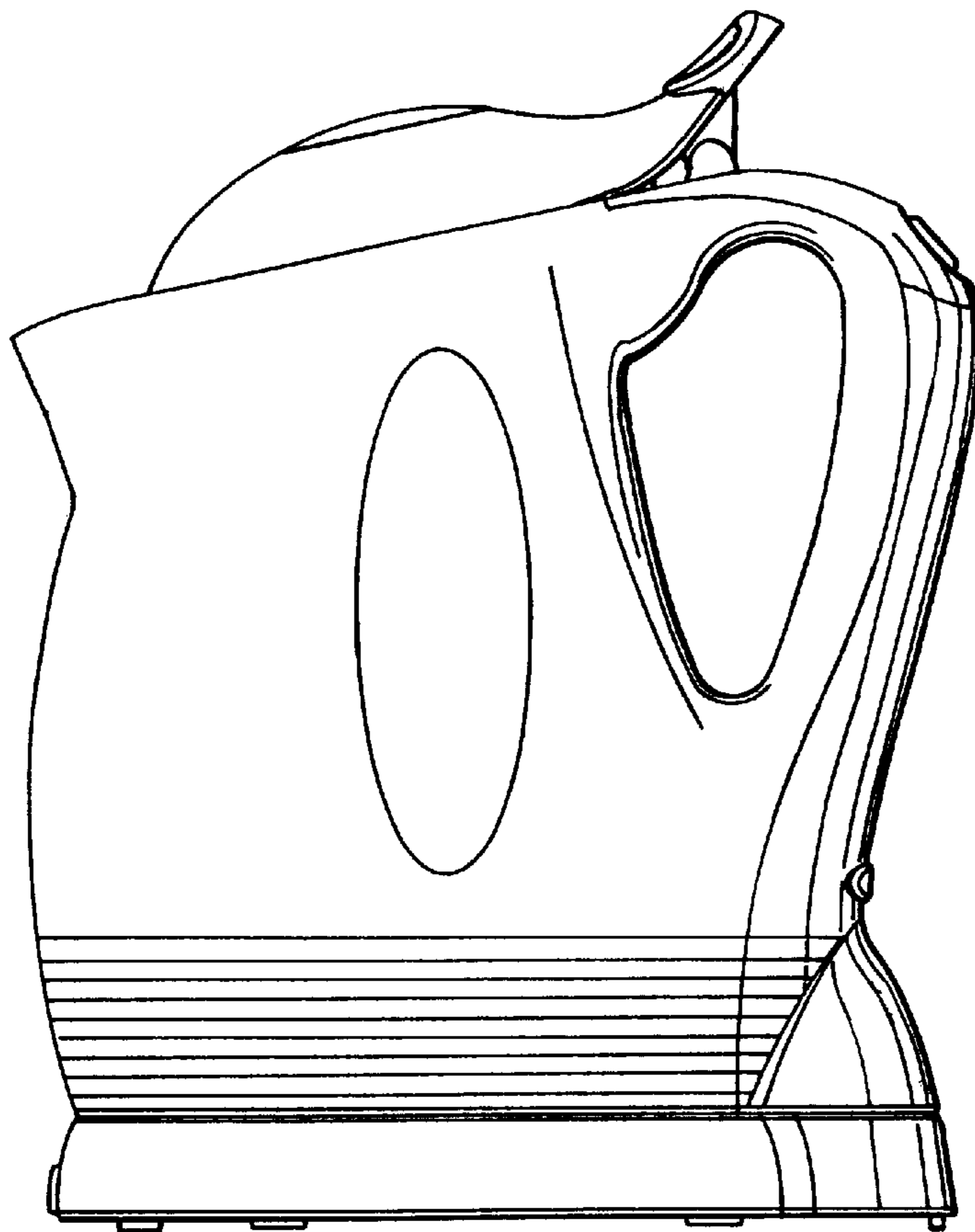


FIG 4

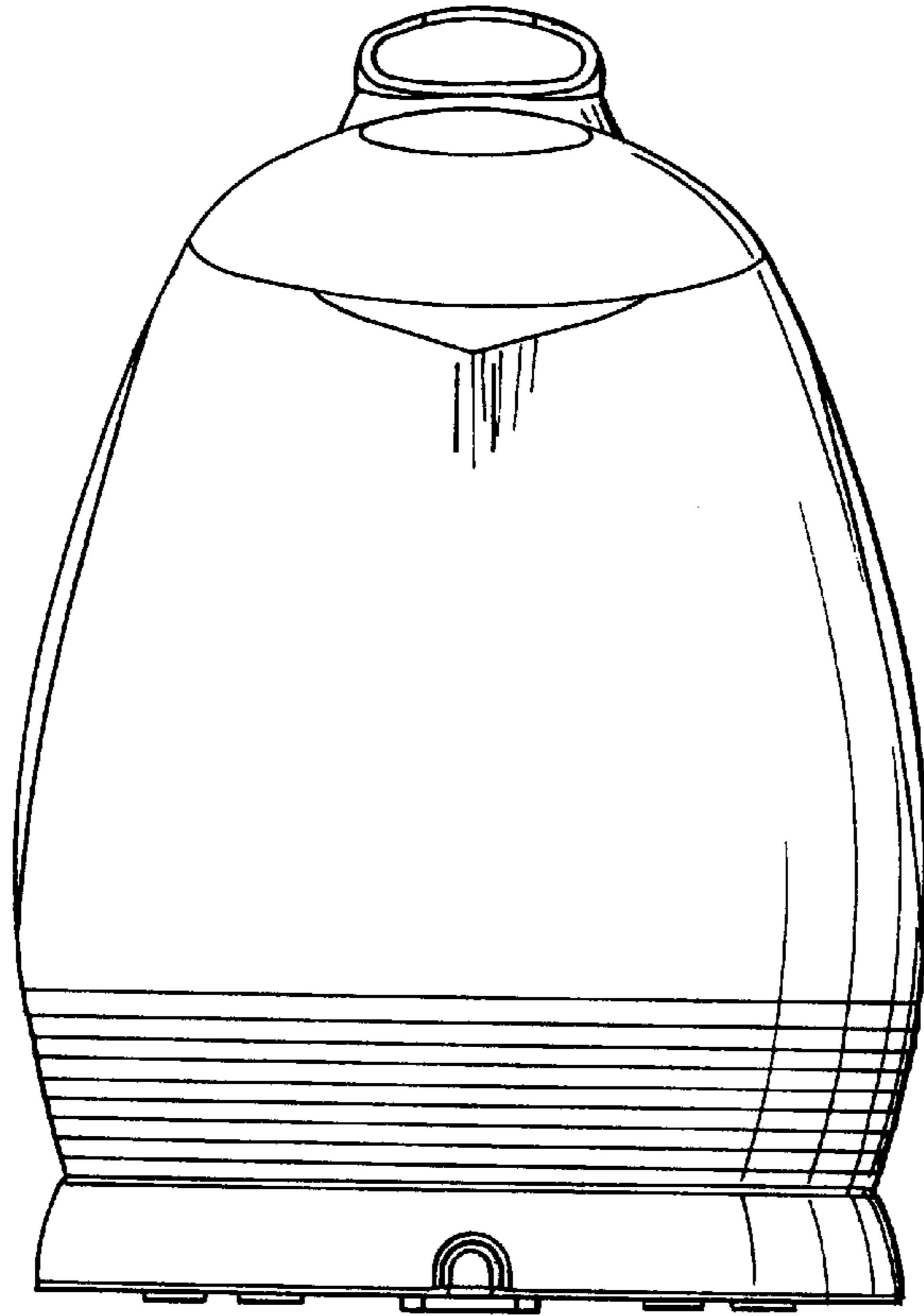


FIG 5

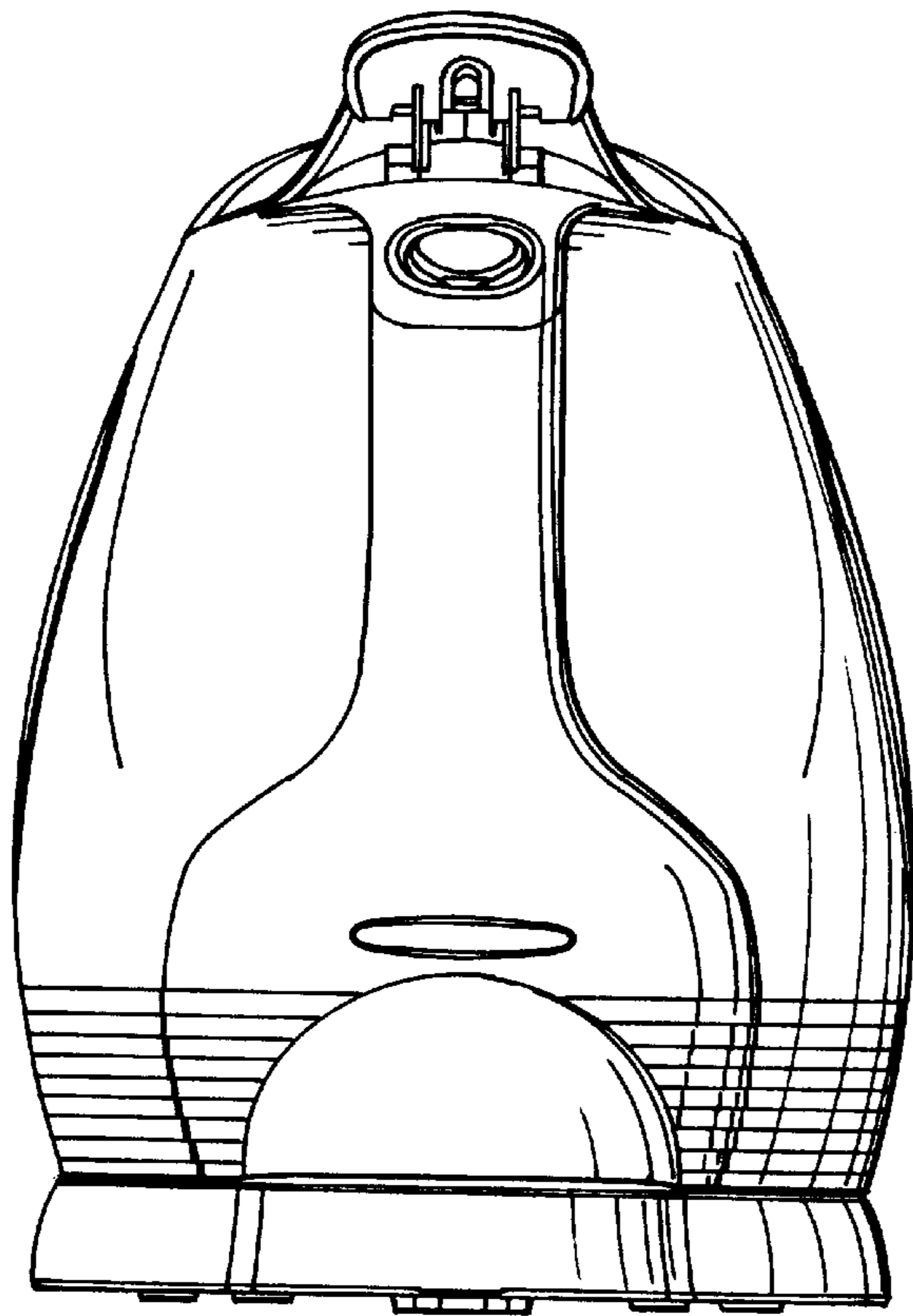


FIG 6

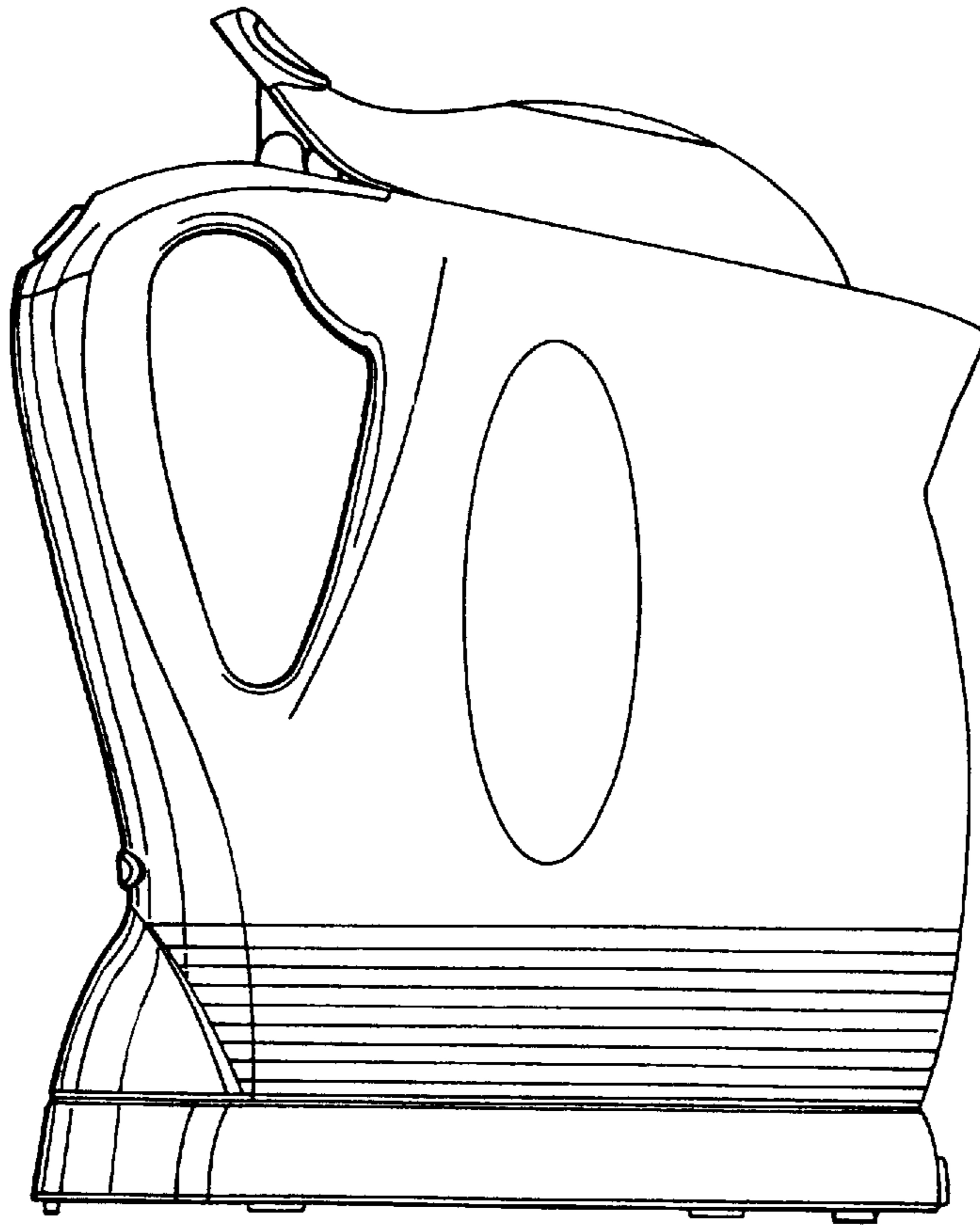


FIG 7

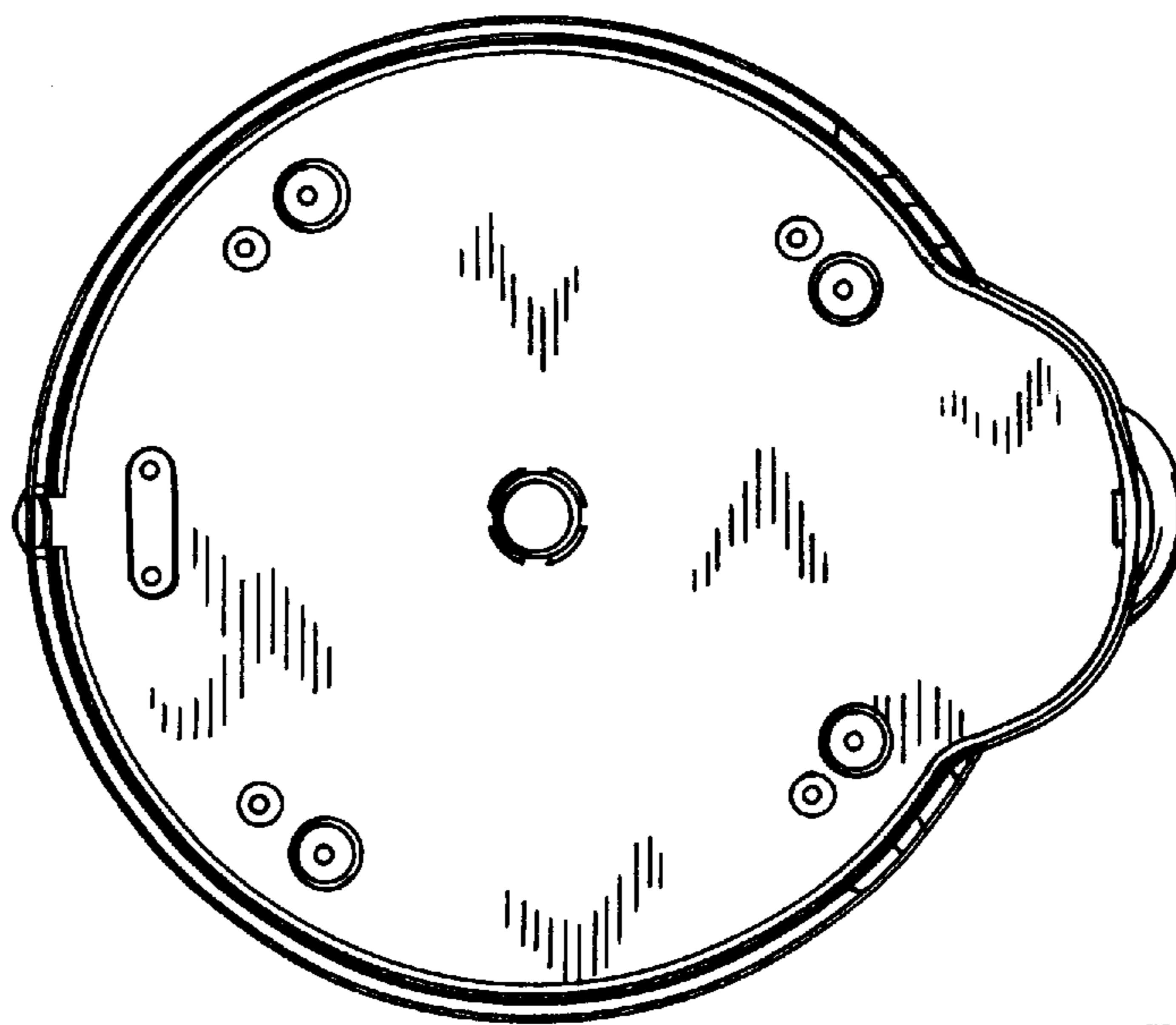


FIG 8

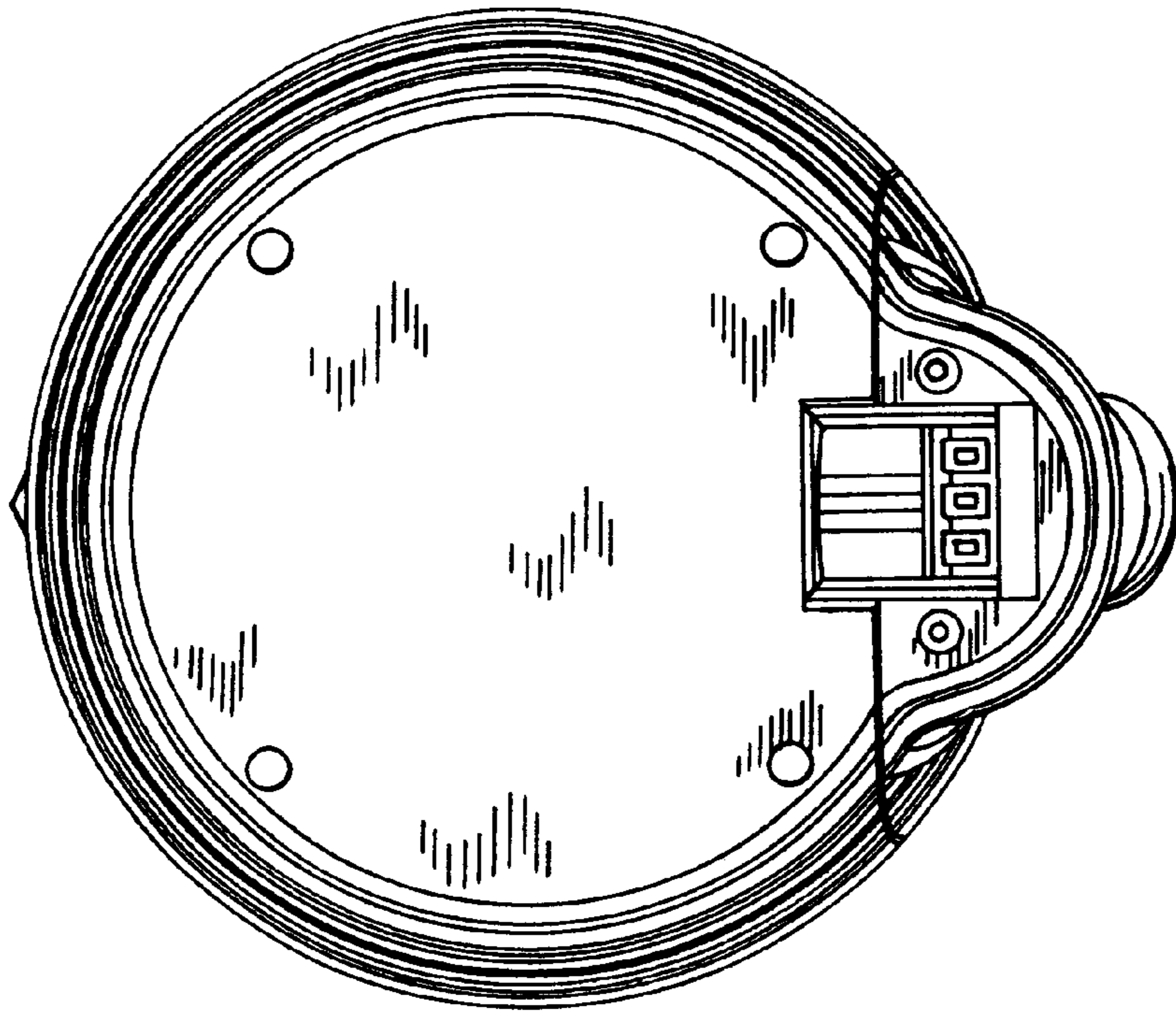


FIG 9

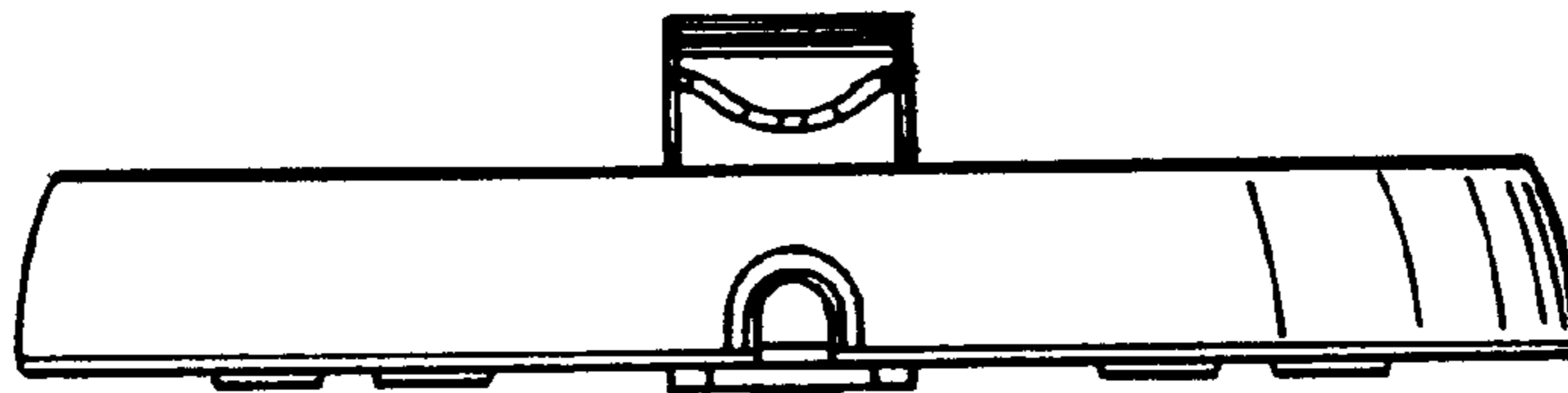


FIG 10