



US00D463942S

(12) **United States Design Patent**  
**Stevko**

(10) **Patent No.:** **US D463,942 S**

(45) **Date of Patent:** **\*\* Oct. 8, 2002**

(54) **PILLOW RESPONSIVE TO HEAD  
MOVEMENT TO REDUCE SNORING**

(76) **Inventor:** **Annette M. Stevko**, 4111 NE.  
Tillamook St., Portland, OR (US) 97212

(\*\*) **Term:** **14 Years**

(21) **Appl. No.:** **29/142,454**

(22) **Filed:** **May 29, 2001**

(51) **LOC (7) Cl.** ..... **06-09**

(52) **U.S. Cl.** ..... **D6/601**

(58) **Field of Search** ..... D6/595, 596, 597,  
D6/599, 601, 602, 603, 604, 605, 606,  
608; D2/720, 728, 823, 860, 861; D8/403;  
D24/184, 189, 192; 2/114, 914, 915; 5/417,  
418, 419, 420, 485, 486, 495, 499, 630,  
631, 632, 633, 636, 637, 638, 639, 640,  
641, 644, 645, 650, 651, 652, 652.1, 653,  
654, 655, 655.3, 655.4, 655.9, 656, 657,  
657.5, 663, 688, 690, 706, 710, 717, 718,  
727, 731, 733, 736, 737, 739; 15/208, 209.1,  
210.1; 128/849, 853, 854

(56) **References Cited**

**U.S. PATENT DOCUMENTS**

2,667,915	A	*	2/1954	Pfeffer et al.	.....	5/656
3,720,965	A	*	3/1973	Wright	.....	5/633
4,118,813	A		10/1978	Armstrong	.....	5/337
4,193,150	A	*	3/1980	Vineberg	.....	5/633
4,441,221	A	*	4/1984	Enste et al.	.....	5/657
D278,004	S	*	3/1985	Sigona	.....	D6/604

4,635,306	A	*	1/1987	Willey	.....	5/633
4,748,702	A		6/1988	Sandler	.....	5/434
4,850,067	A		7/1989	Latorre	.....	5/441
4,853,993	A	*	8/1989	Walpin et al.	.....	5/737
D309,228	S	*	7/1990	McVicar	.....	D6/604
4,970,742	A	*	11/1990	Keener	.....	5/633
D356,352	S	*	3/1995	Johnson	.....	D6/601
D374,368	S	*	10/1996	Sprigle et al.	.....	D6/596
D415,412	S	*	10/1999	Chavers	.....	D8/403
6,009,873	A		1/2000	Neviaser	.....	128/845
D422,362	S	*	4/2000	Ames	.....	D6/601

\* cited by examiner

*Primary Examiner*—Doris V. Coles

*Assistant Examiner*—T. Chase Nelson

(74) *Attorney, Agent, or Firm*—James D. Givnan, Jr.

(57) **CLAIM**

The ornamental design for a pillow responsive to head movement to reduce snoring, as shown and described.

**DESCRIPTION**

FIG. 1 is a perspective view of a pillow responsive to head movement to reduce snoring with the broken-line disclosure of a bed for illustrative purpose only and forming no part of the claimed design;

FIG. 2 is an end elevational view with the opposite end being a mirror image;

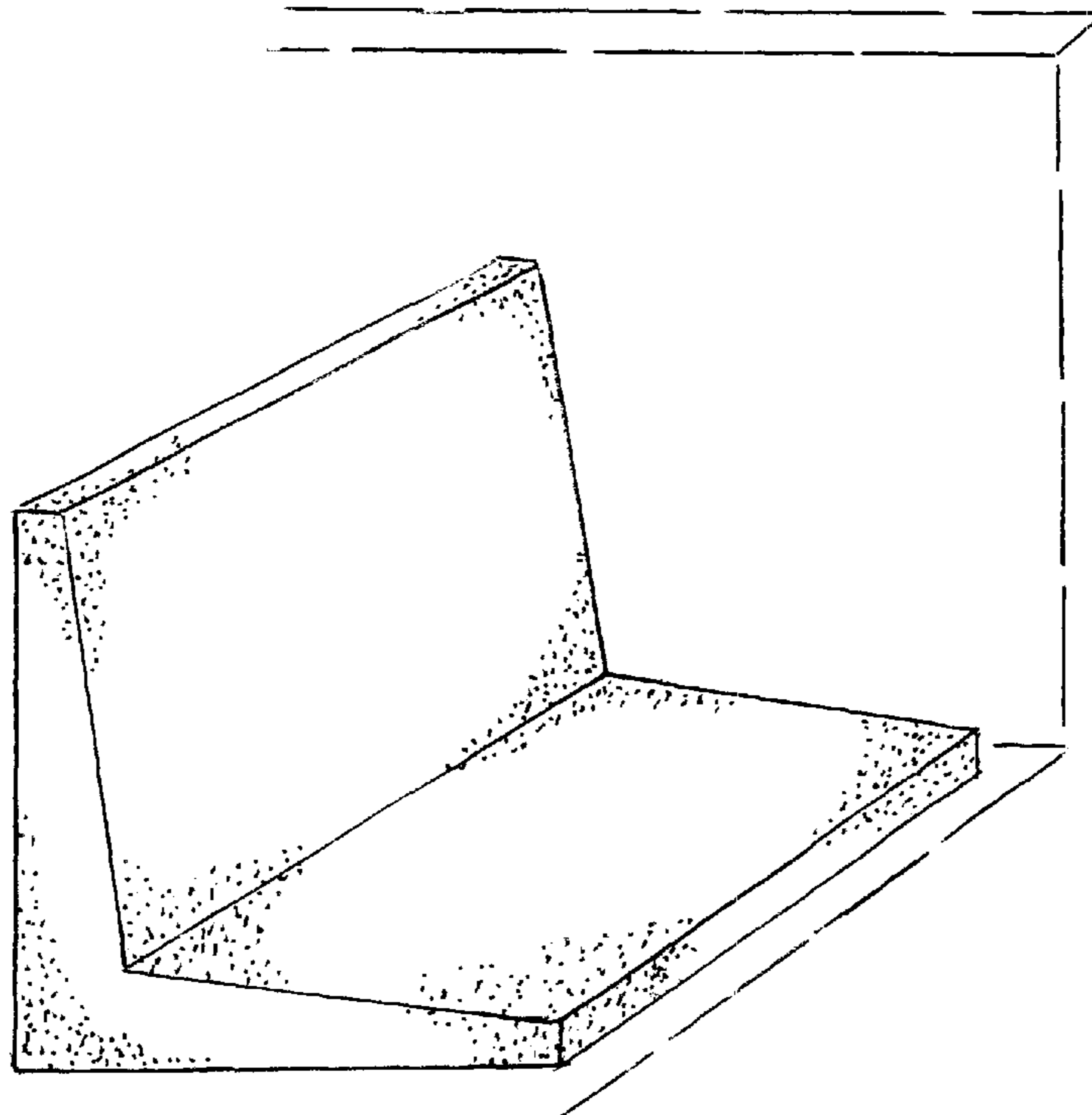
FIG. 3 is a front elevational view;

FIG. 4 is a plan view;

FIG. 5 is a rear elevational view; and,

FIG. 6 is a bottom plan view.

**1 Claim, 1 Drawing Sheet**



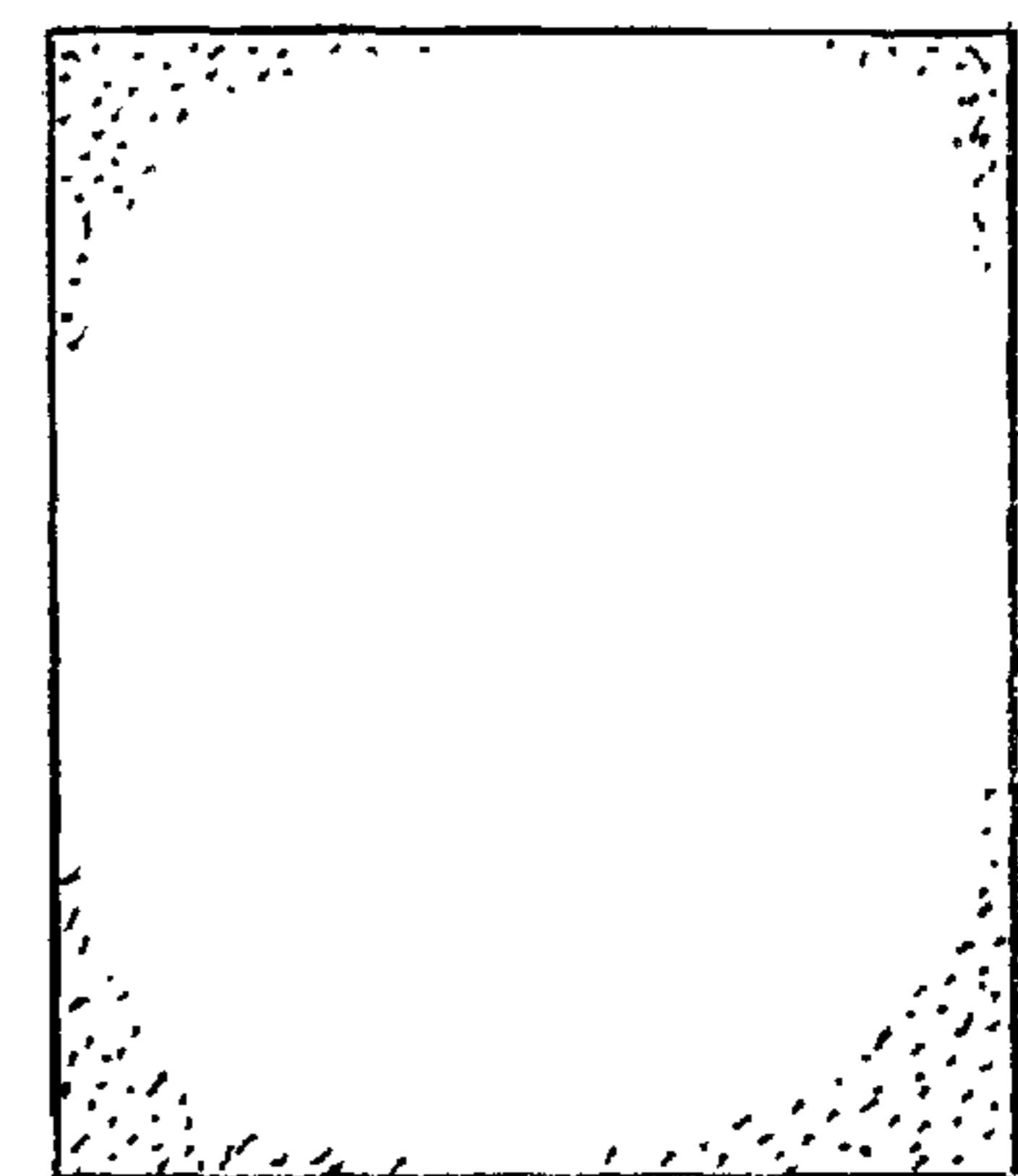
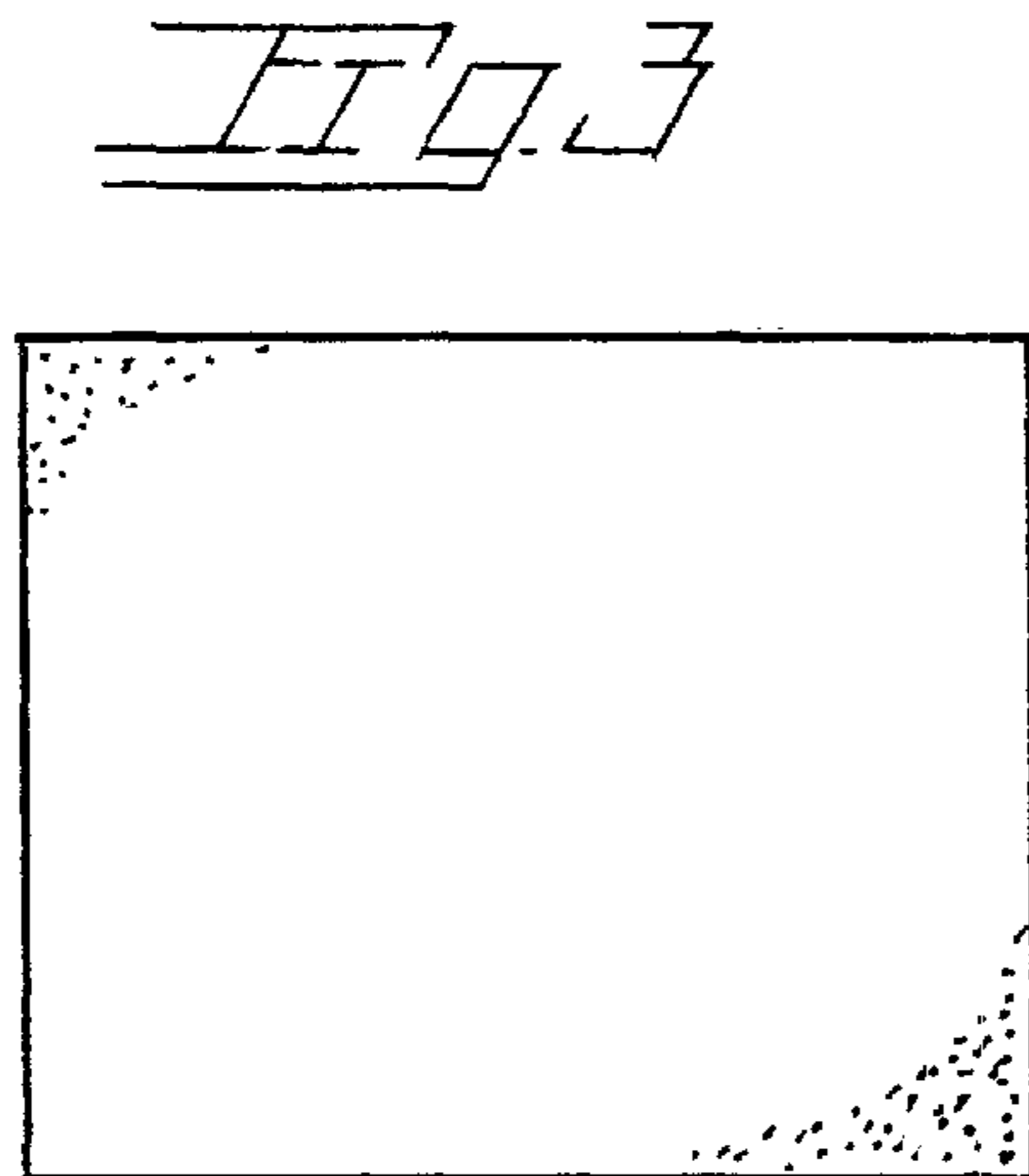
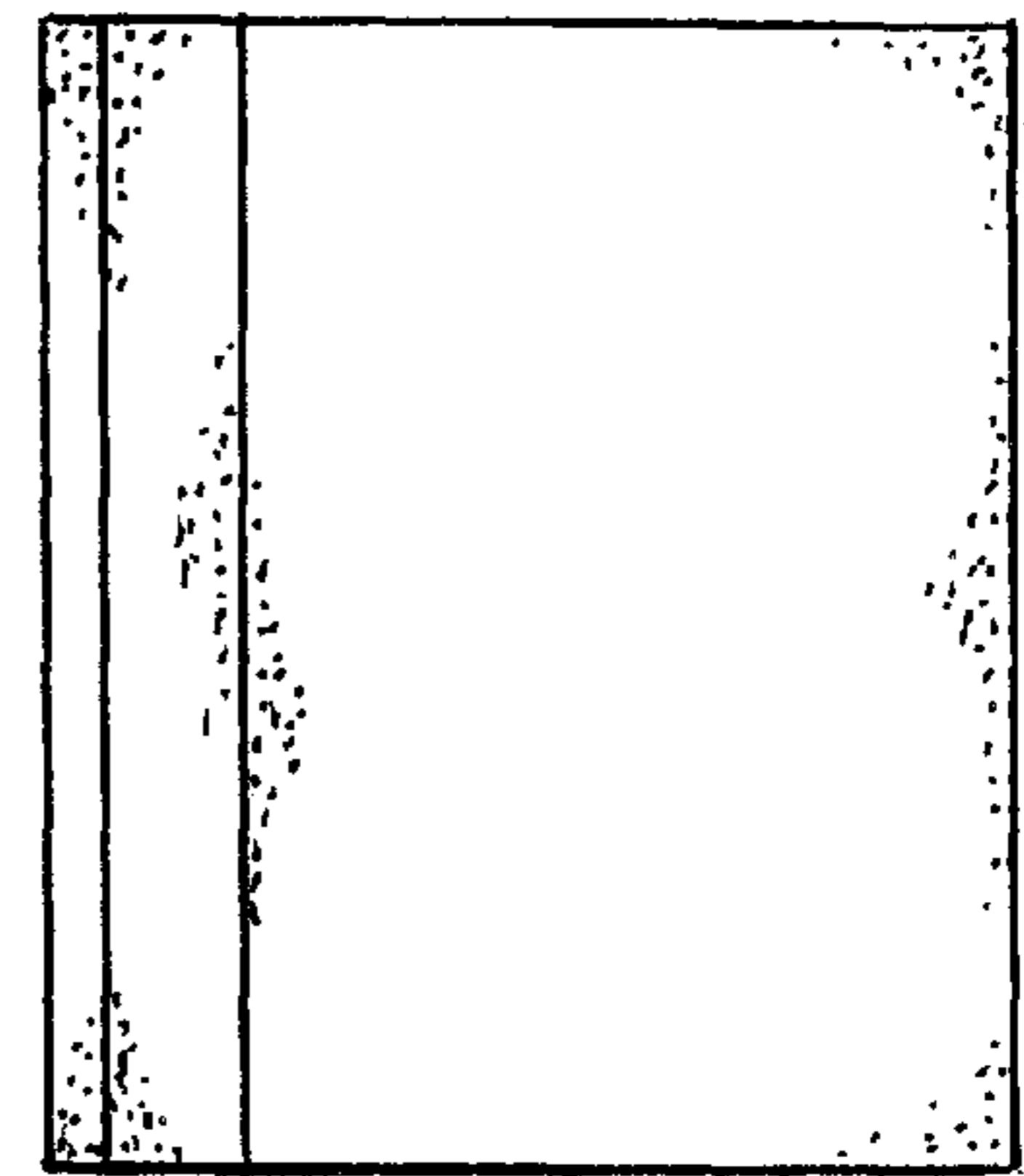
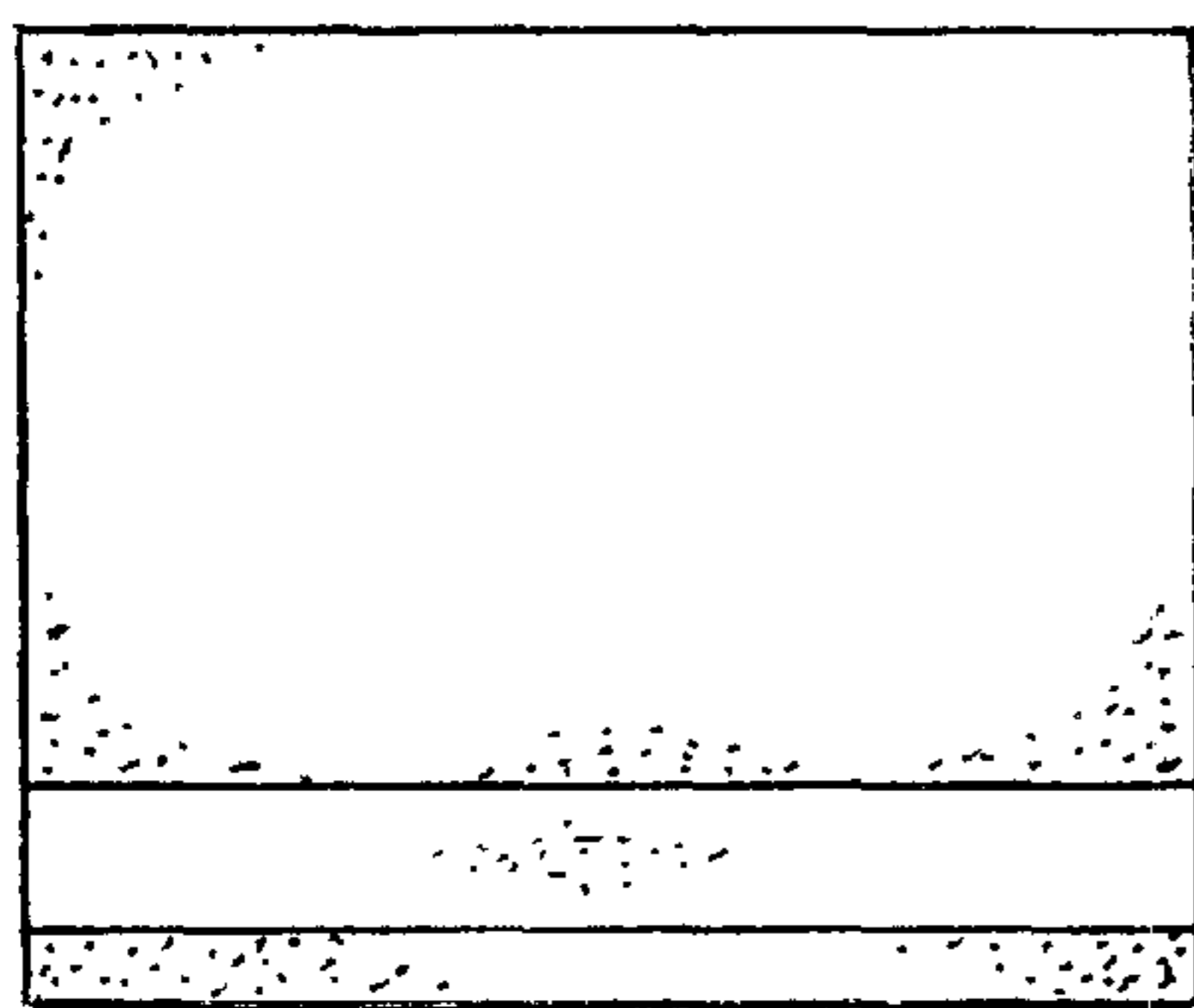
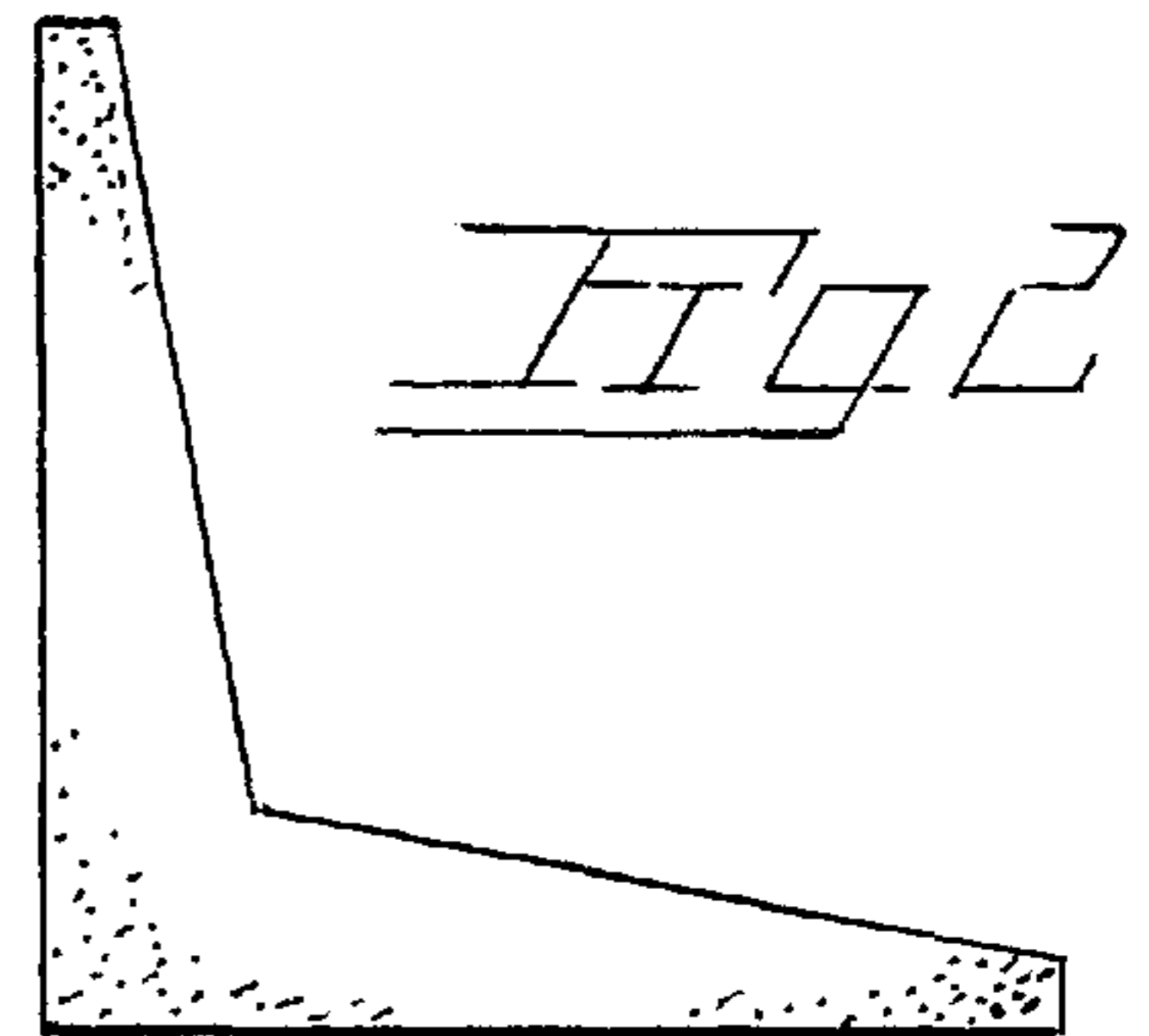
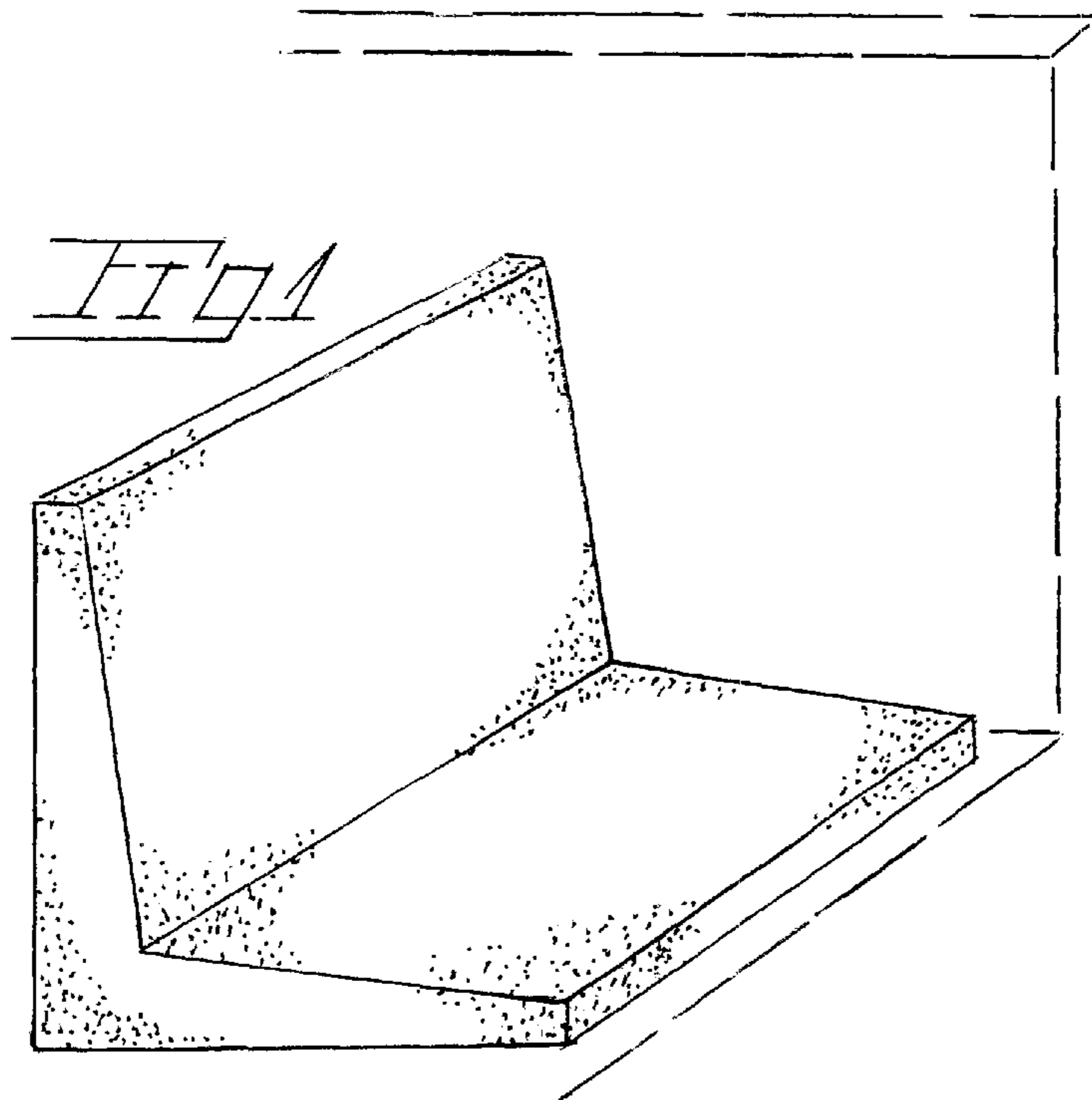


FIG 5

FIG 6