



US00D463941S

(12) **United States Design Patent**  
**Kerr**

(10) **Patent No.:** **US D463,941 S**

(45) **Date of Patent:** **\*\* Oct. 8, 2002**

(54) **TOOL BAR**

(75) Inventor: **Helen Kerr**, Toronto (CA)

(73) Assignee: **Browne & Co. Ltd.** (CA)

(\*\*) Term: **14 Years**

(21) Appl. No.: **29/127,567**

(22) Filed: **Aug. 8, 2000**

(30) **Foreign Application Priority Data**

Apr. 17, 2000 (CA) ..... 2000-1000

(51) **LOC (7) Cl.** ..... **06-04**

(52) **U.S. Cl.** ..... **D6/572**

(58) **Field of Search** ..... D6/553, 552, 567,  
D6/572; 211/13.1, 85.9, 60.1, 70.6, 86.01,  
87.01, 123, 181.1, 182; 248/304, 309.1,  
309.2

(56) **References Cited**

**U.S. PATENT DOCUMENTS**

1,814,692 A \* 7/1931 Harris ..... 211/123  
D165,553 S \* 12/1951 Schoor ..... D6/572

3,796,454 A \* 3/1974 Williamson et al. ... 211/70.6 X  
D272,262 S \* 1/1984 Honma ..... D23/235  
D443,161 S \* 6/2001 Mahlmann ..... D6/567

\* cited by examiner

*Primary Examiner*—Brian N. Vinson

(74) *Attorney, Agent, or Firm*—Mark Kusner; Michael A. Jaffe

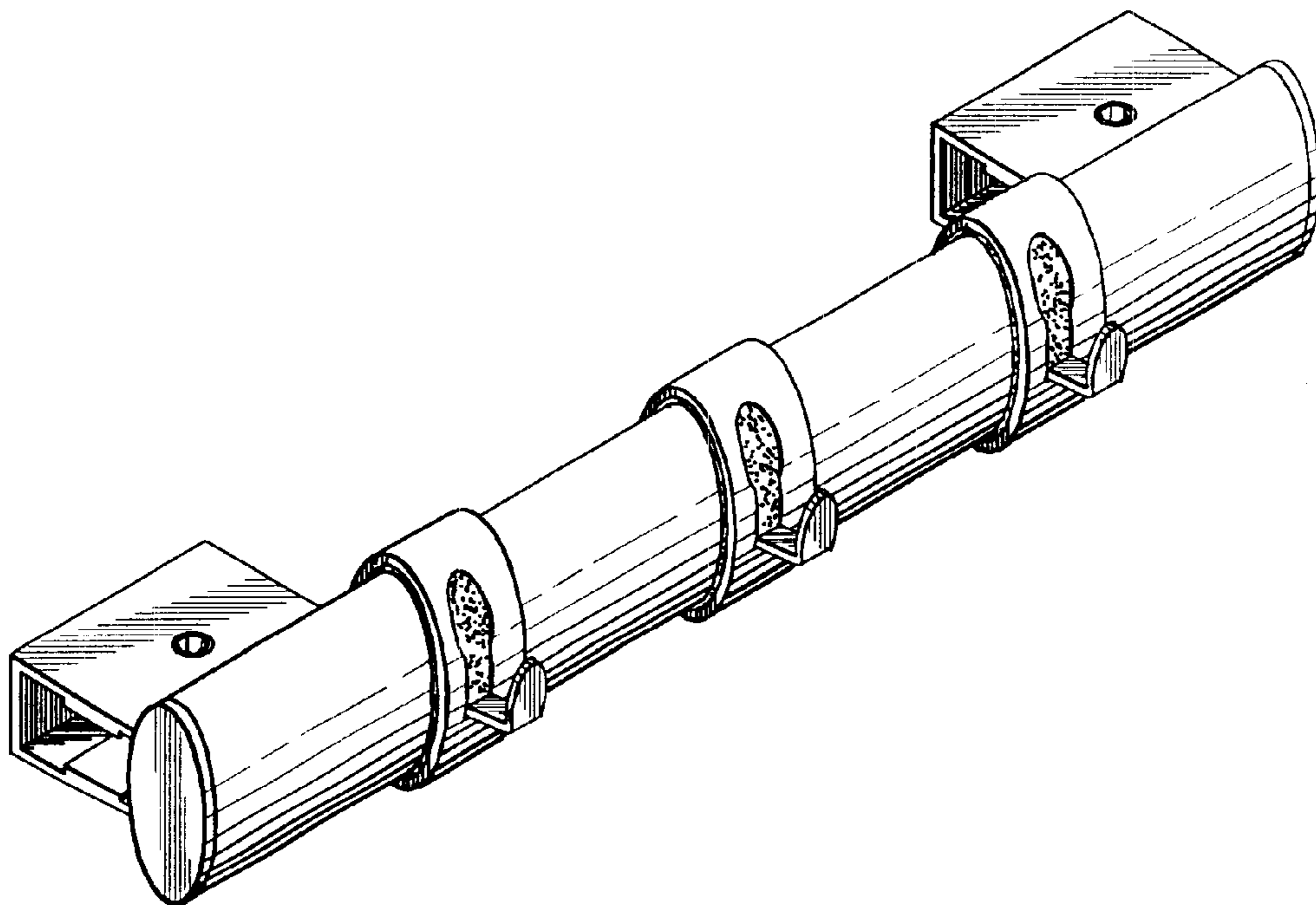
(57) **CLAIM**

The ornamental design for a tool bar, as shown and described.

**DESCRIPTION**

FIG. 1 is a perspective view of a tool bar showing my new design;  
FIG. 2 is a top plan view of the tool bar shown in FIG. 1;  
FIG. 3 is a front elevational view thereof;  
FIG. 4 is a right side elevational view thereof;  
FIG. 5 is a bottom plan view thereof;  
FIG. 6 is a left side elevational view thereof; and,  
FIG. 7 is a back elevational view thereof.

**1 Claim, 2 Drawing Sheets**



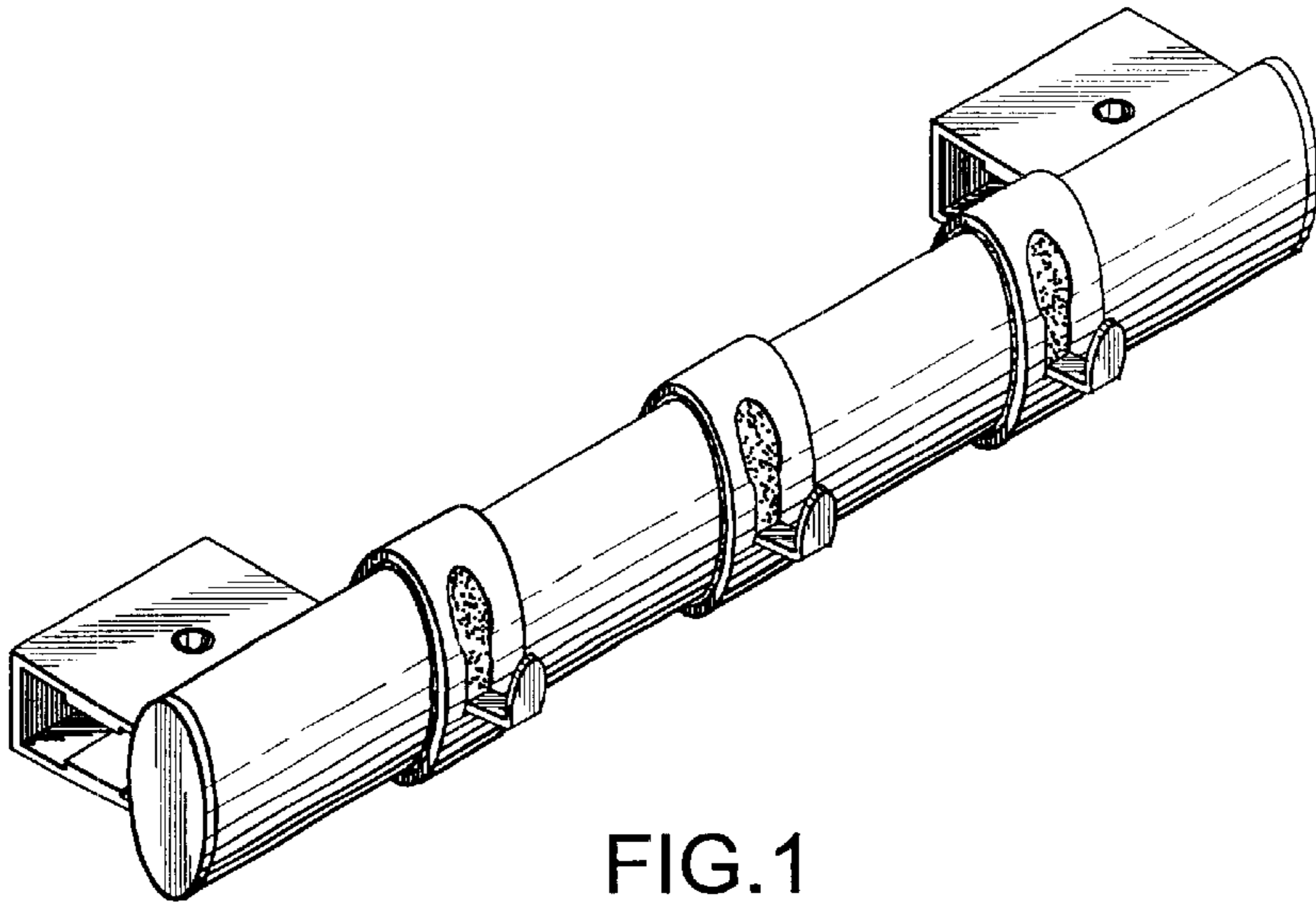


FIG. 1

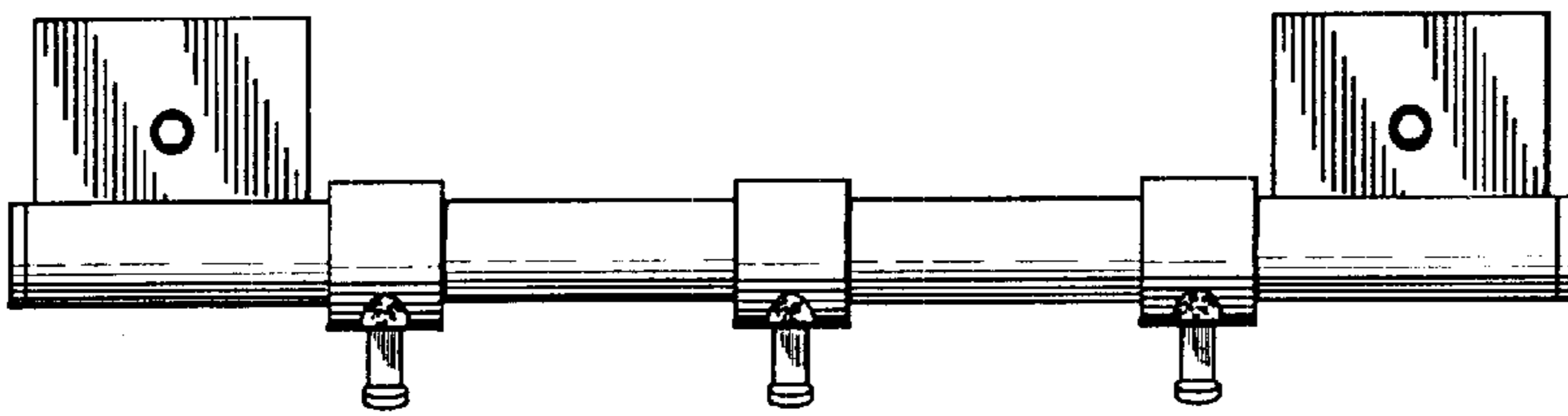


FIG. 2

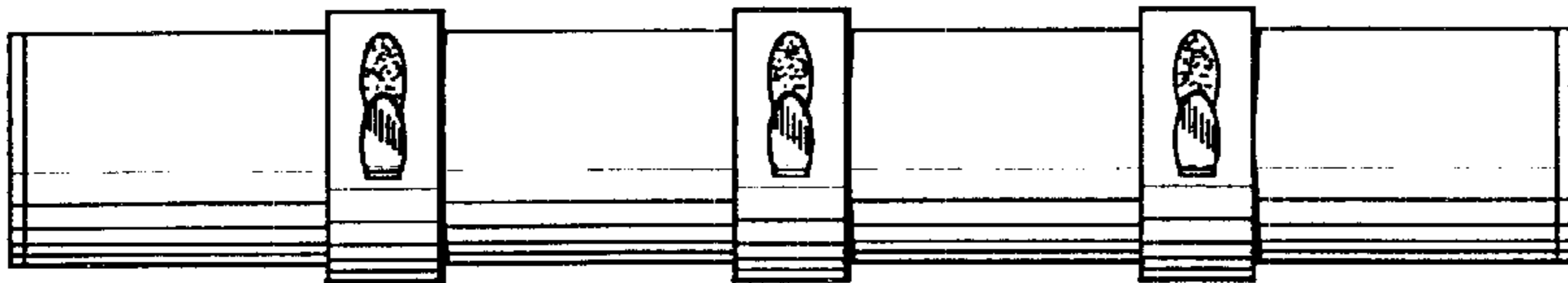


FIG. 3

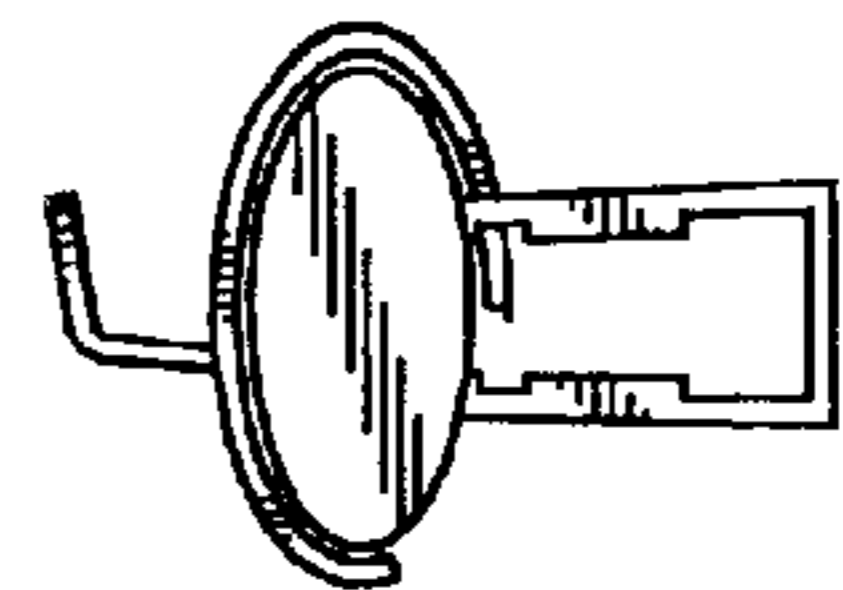


FIG. 4

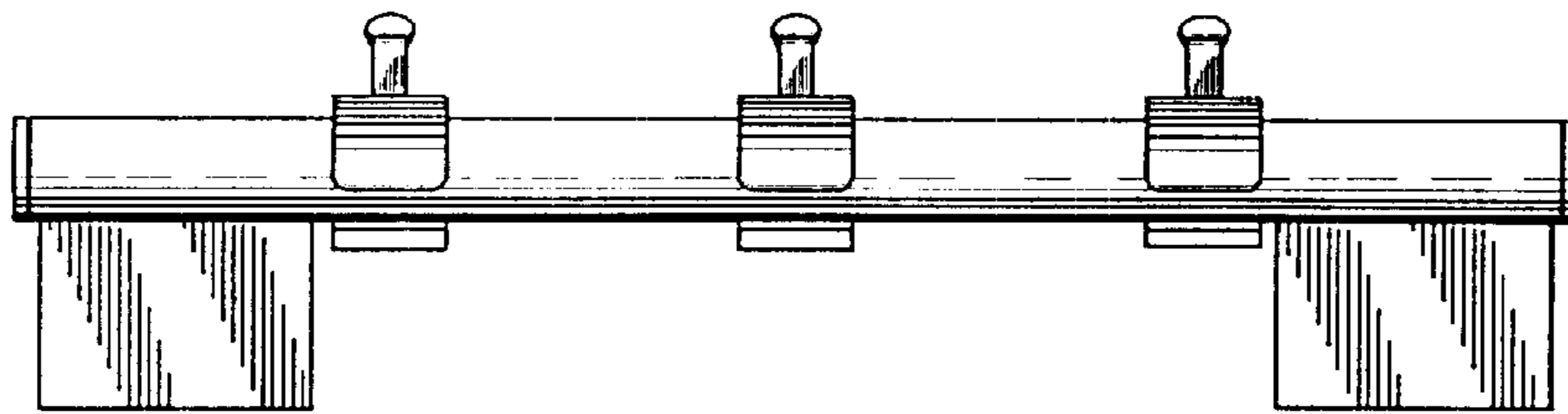


FIG. 5

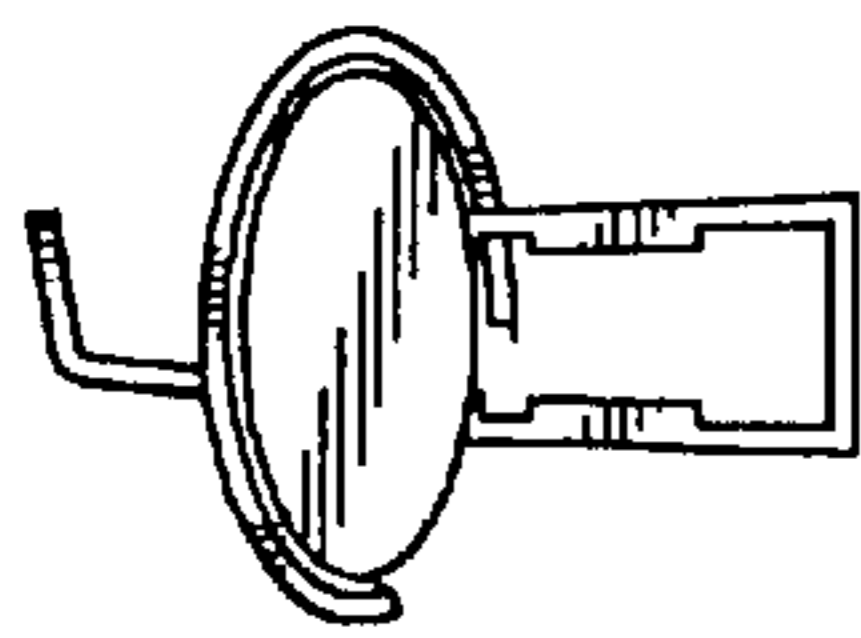


FIG. 6

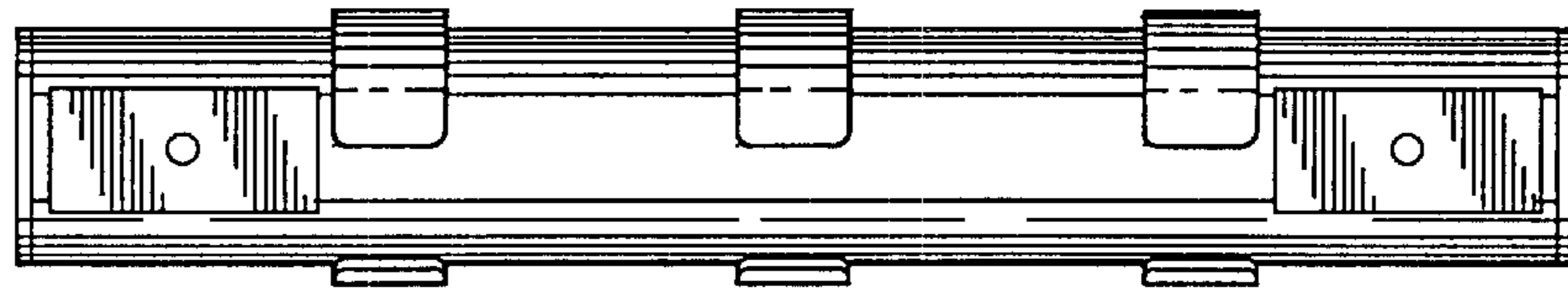


FIG. 7