



US00D463938S

(12) **United States Design Patent**
Lee Wang

(10) **Patent No.:** **US D463,938 S**

(45) **Date of Patent:** **** Oct. 8, 2002**

(54) **BATHROOM ACCESSORY POST**

Primary Examiner—Brian N. Vinson

(74) *Attorney, Agent, or Firm*—Harrison & Egbert

(75) **Inventor:** **Chien-Hui Lee Wang**, Chang Hua (TW)

(73) **Assignee:** **Jiann Shin Plumbing Products Co., Ltd.**, Chang Hua (TW)

(57) **CLAIM**

The ornamental design for a bathroom accessory post, as shown and described.

(**) **Term:** **14 Years**

(21) **Appl. No.:** **29/146,077**

DESCRIPTION

(22) **Filed:** **Aug. 2, 2001**

(51) **LOC (7) Cl.** **06-04**

(52) **U.S. Cl.** **D6/550; D6/524**

(58) **Field of Search** D6/546–50, 518, D6/522–24; D8/300, 307–8, 315–20; 108/29; 211/13.1, 16, 60.1, 86.01, 87.01, 88.04, 105.1–5.2, 106, 123, 181.1; 242/570, 588–90, 597–98; 248/49, 175, 200–1, 205.1, 214, 251–54, 261, 302, 304, 309.1, 314–17

FIG. 1 is a top, front, and right side perspective view of a first embodiment of a bathroom accessory post showing my new design;

FIG. 2 is a front elevational view thereof;

FIG. 3 is a rear elevational view thereof;

FIG. 4 is a right side elevational view thereof;

FIG. 5 is a left side elevational view thereof;

FIG. 6 is a top plan view thereof;

FIG. 7 is a bottom plan view thereof;

FIG. 8 is a top, front, and right side perspective view thereof, with the broken-line disclosure of a towel ring being for illustrative purposes only and forming no part of the claimed design; and,

FIG. 9 is a reduced top, front, and right side perspective view of a second embodiment of a bathroom accessory post, with the broken-line disclosure of a towel bar being for illustrative purposes only and forming no part of the claimed design.

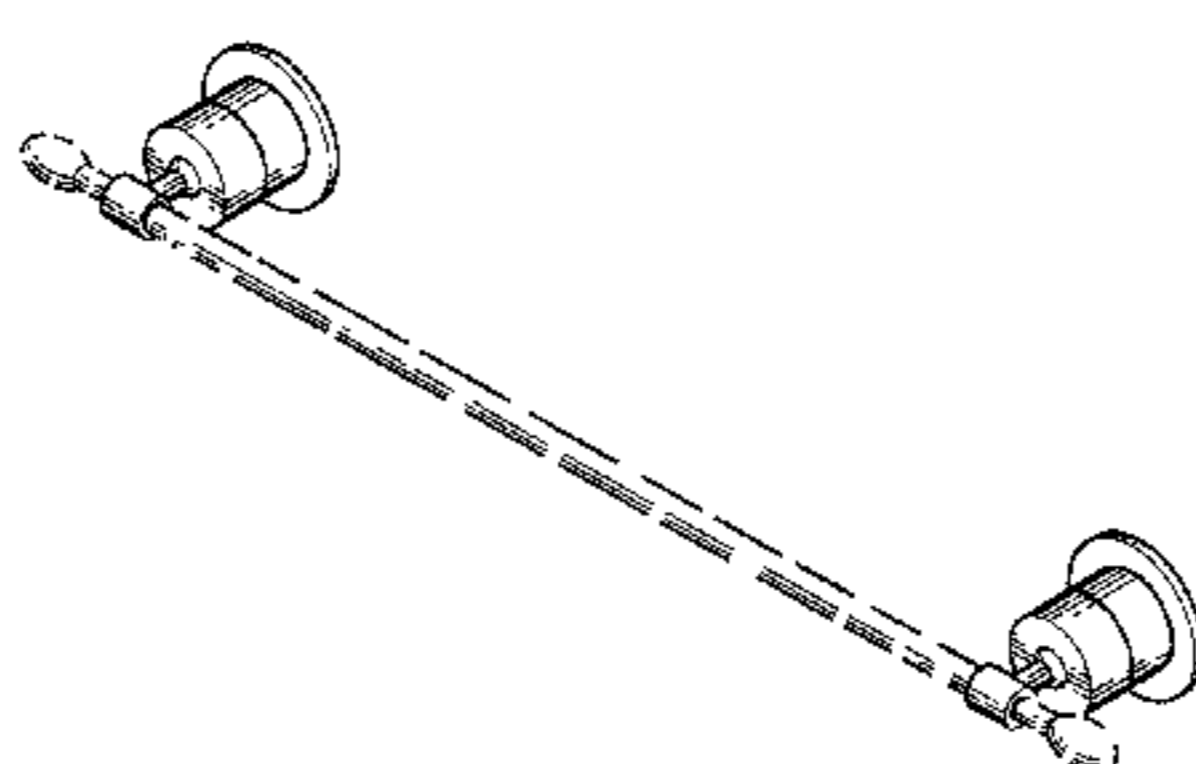
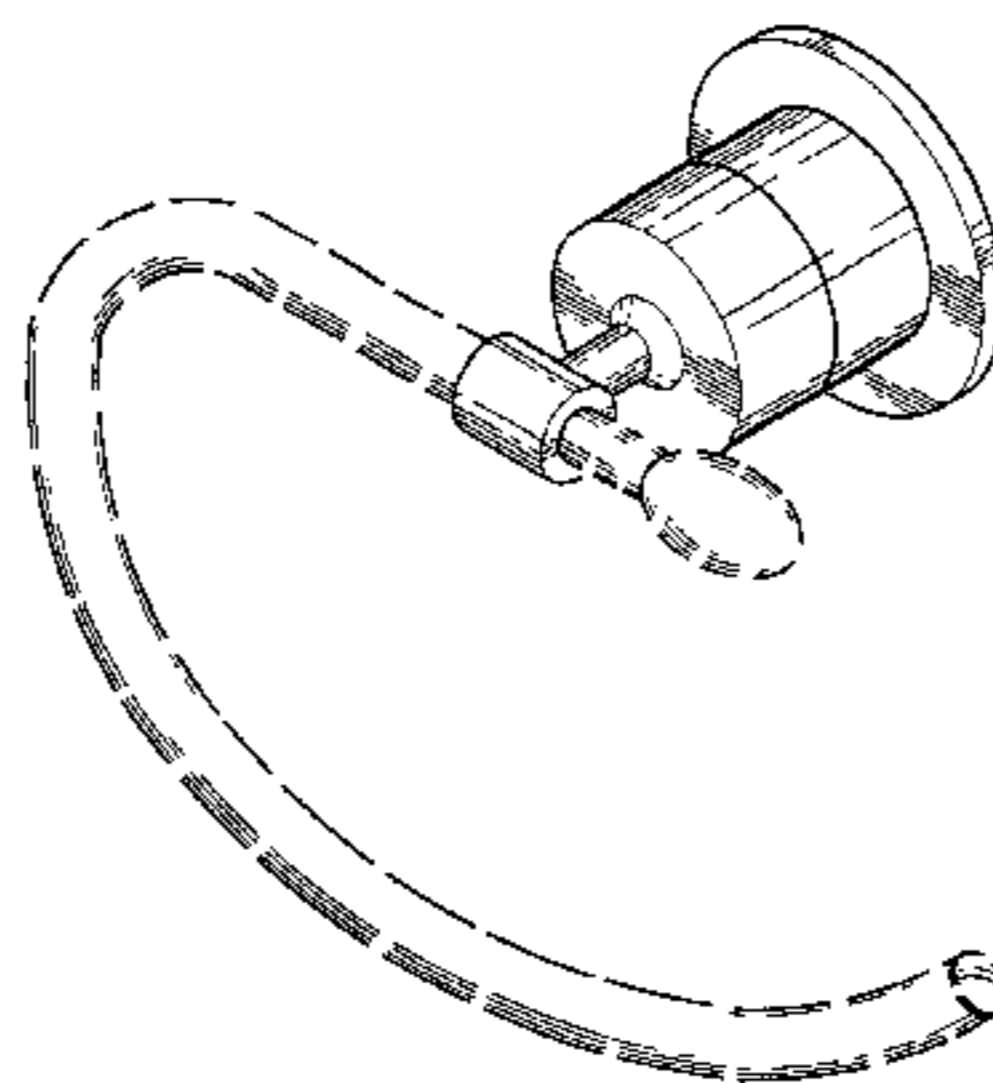
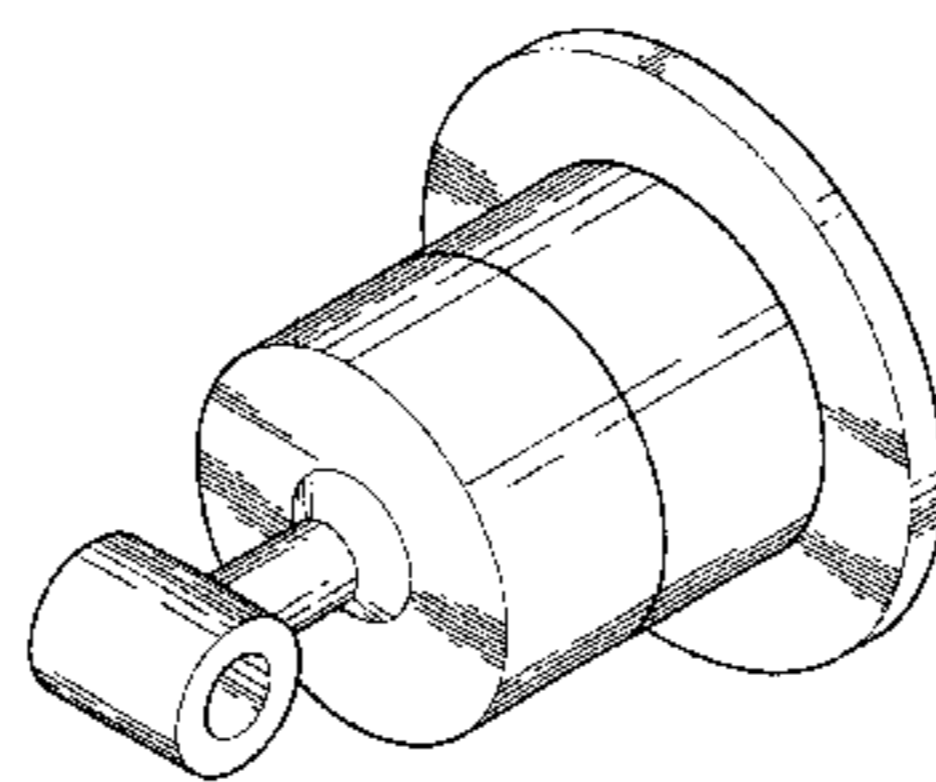
(56) **References Cited**

U.S. PATENT DOCUMENTS

D436,776 S	*	1/2001	Chen	D6/524
D450,509 S	*	11/2001	Gottwald	D6/546
D451,739 S	*	12/2001	Yeh	D6/550
D451,740 S	*	12/2001	Yeh	D6/550
D453,274 S	*	2/2002	Lai	D6/524
D454,457 S	*	3/2002	Ou-Young	D6/546
D454,745 S	*	3/2002	Wright	D6/550

* cited by examiner

1 Claim, 6 Drawing Sheets



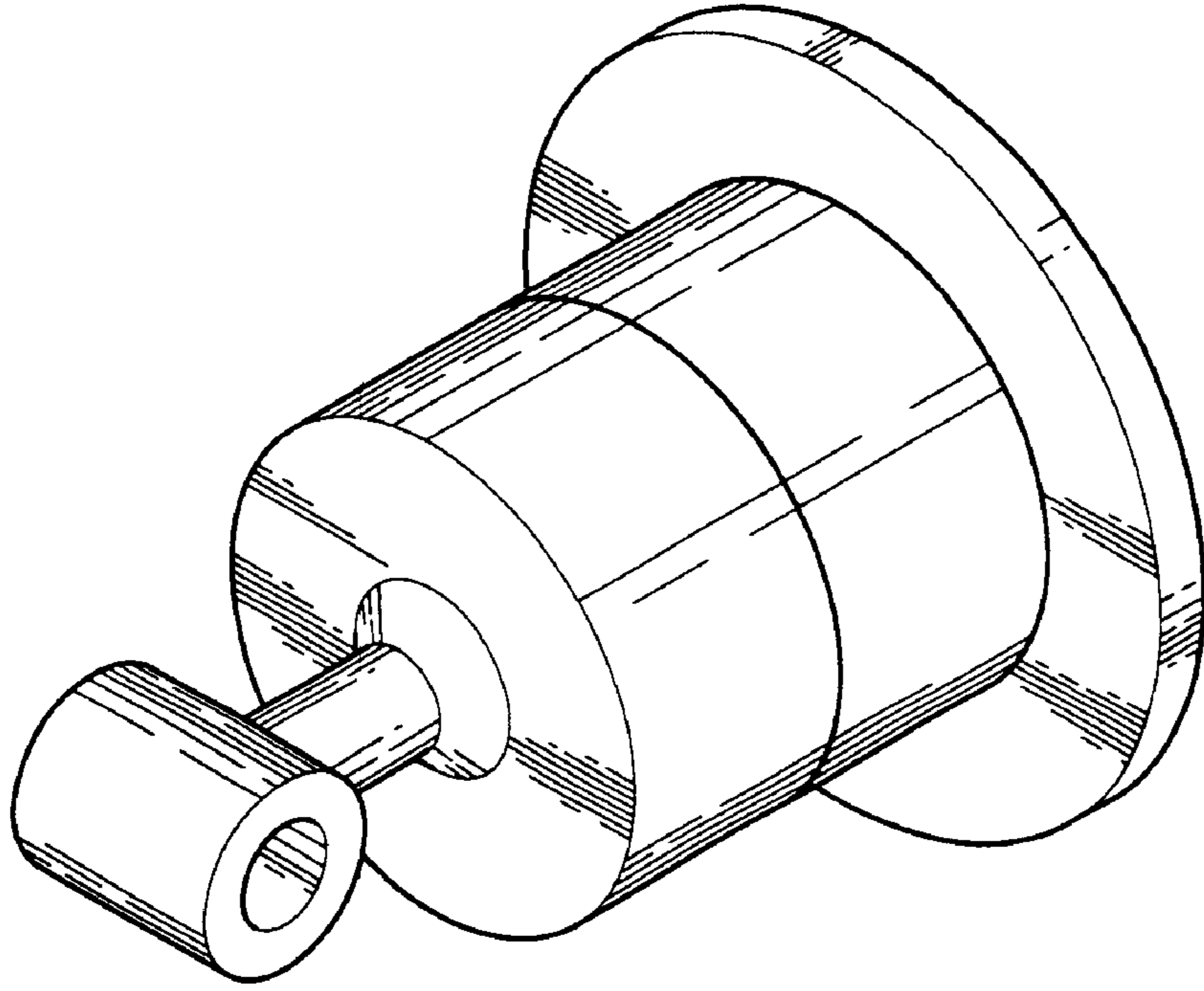


FIG.1

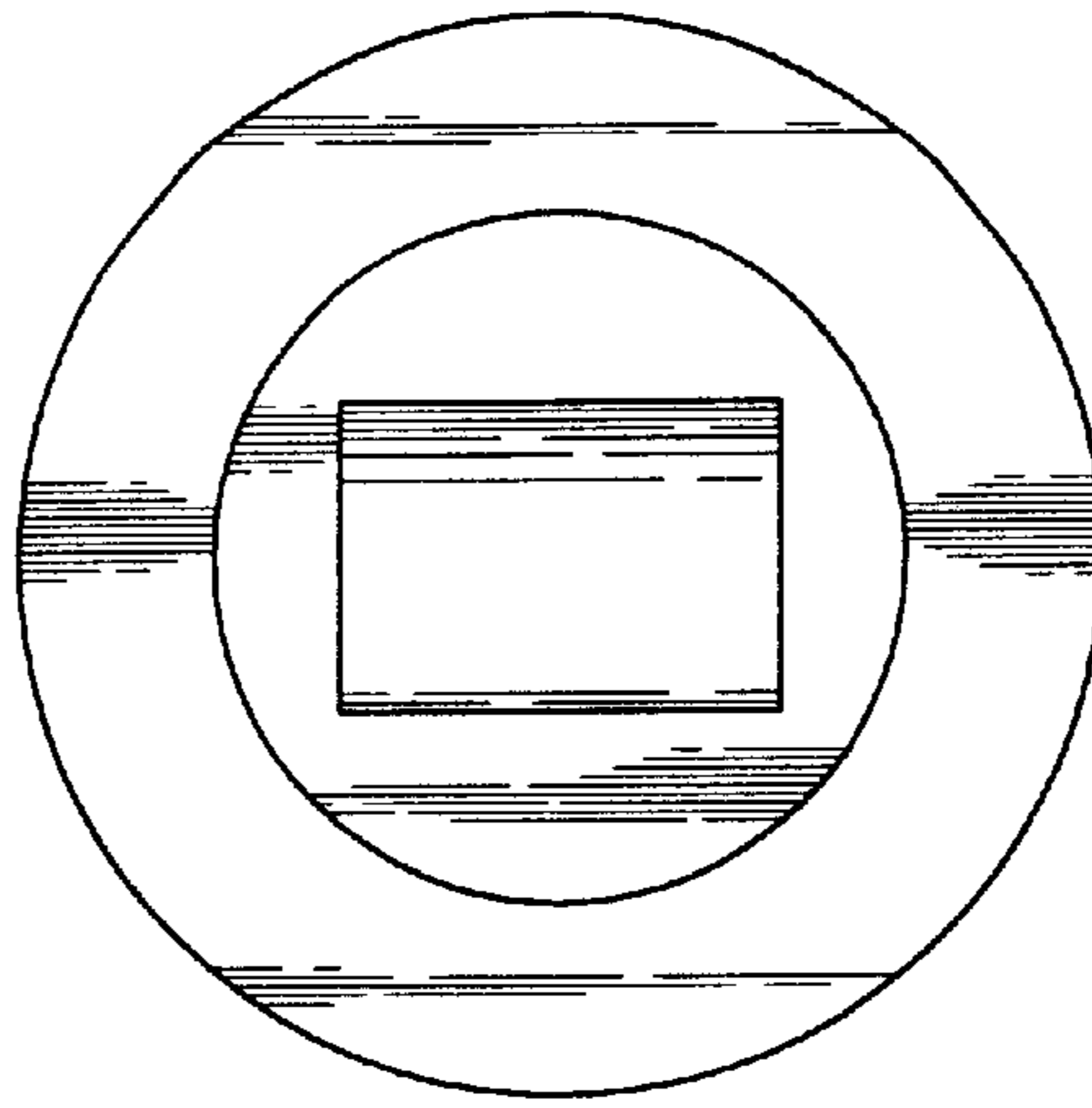


FIG. 2

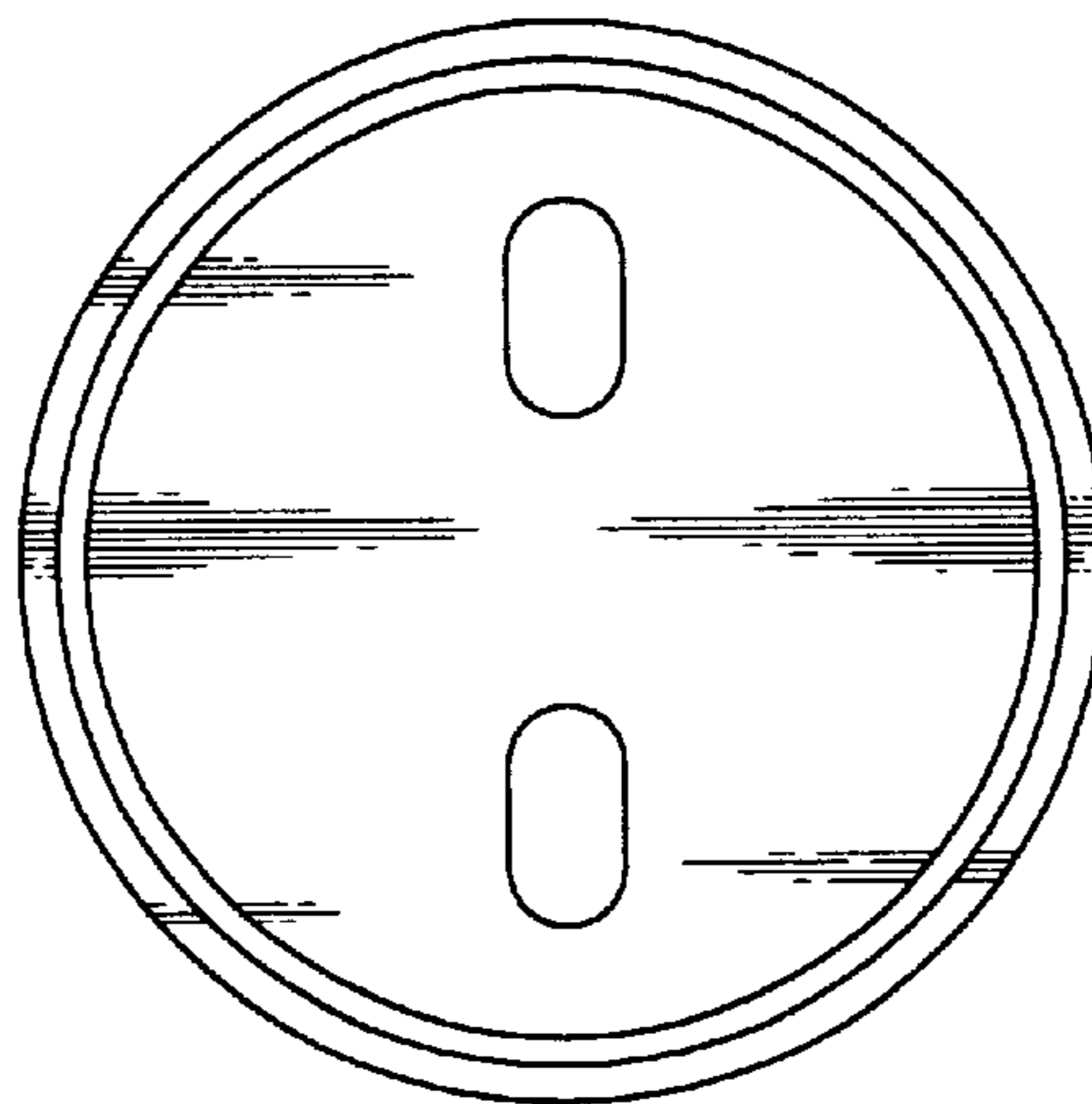


FIG. 3

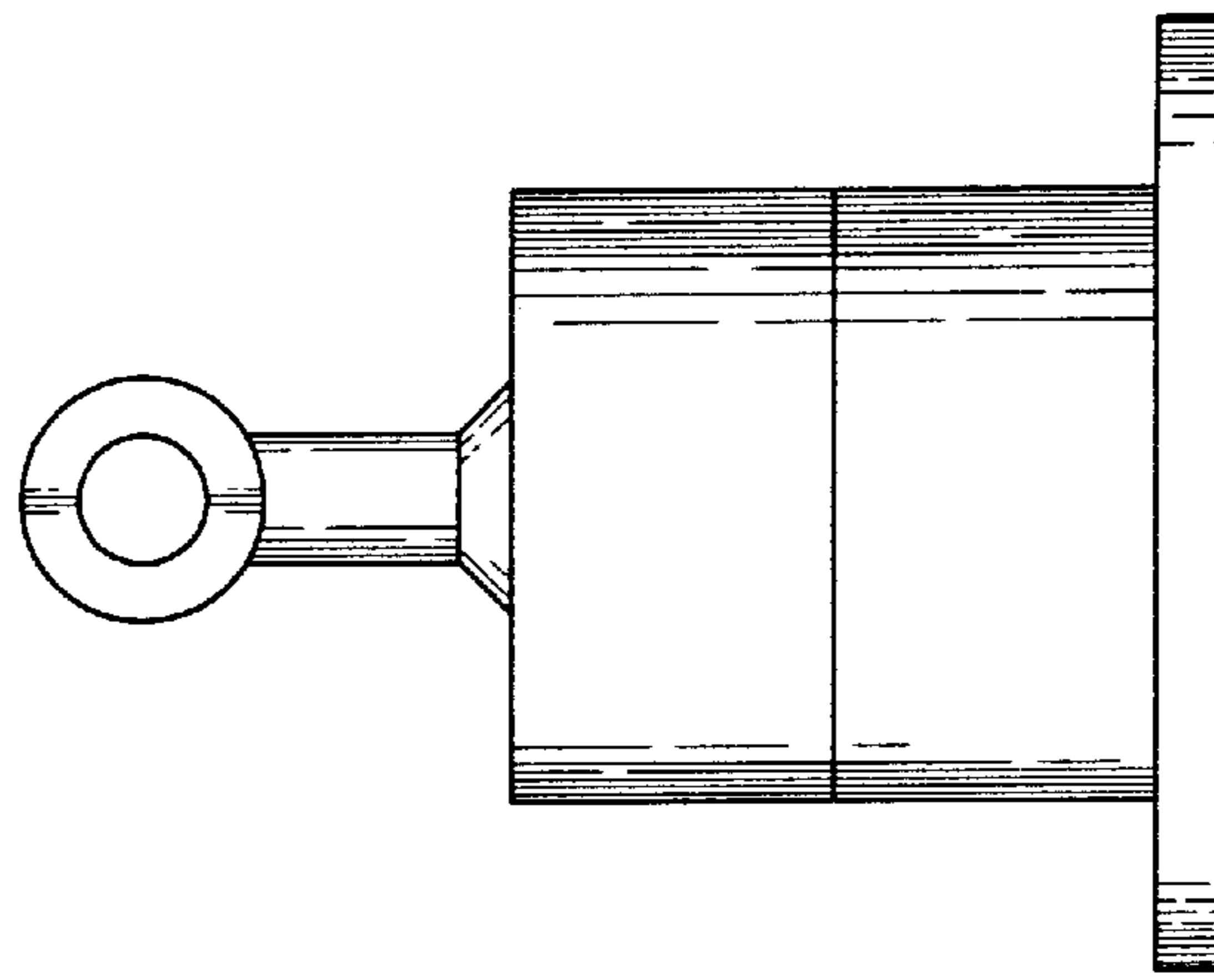


FIG. 4

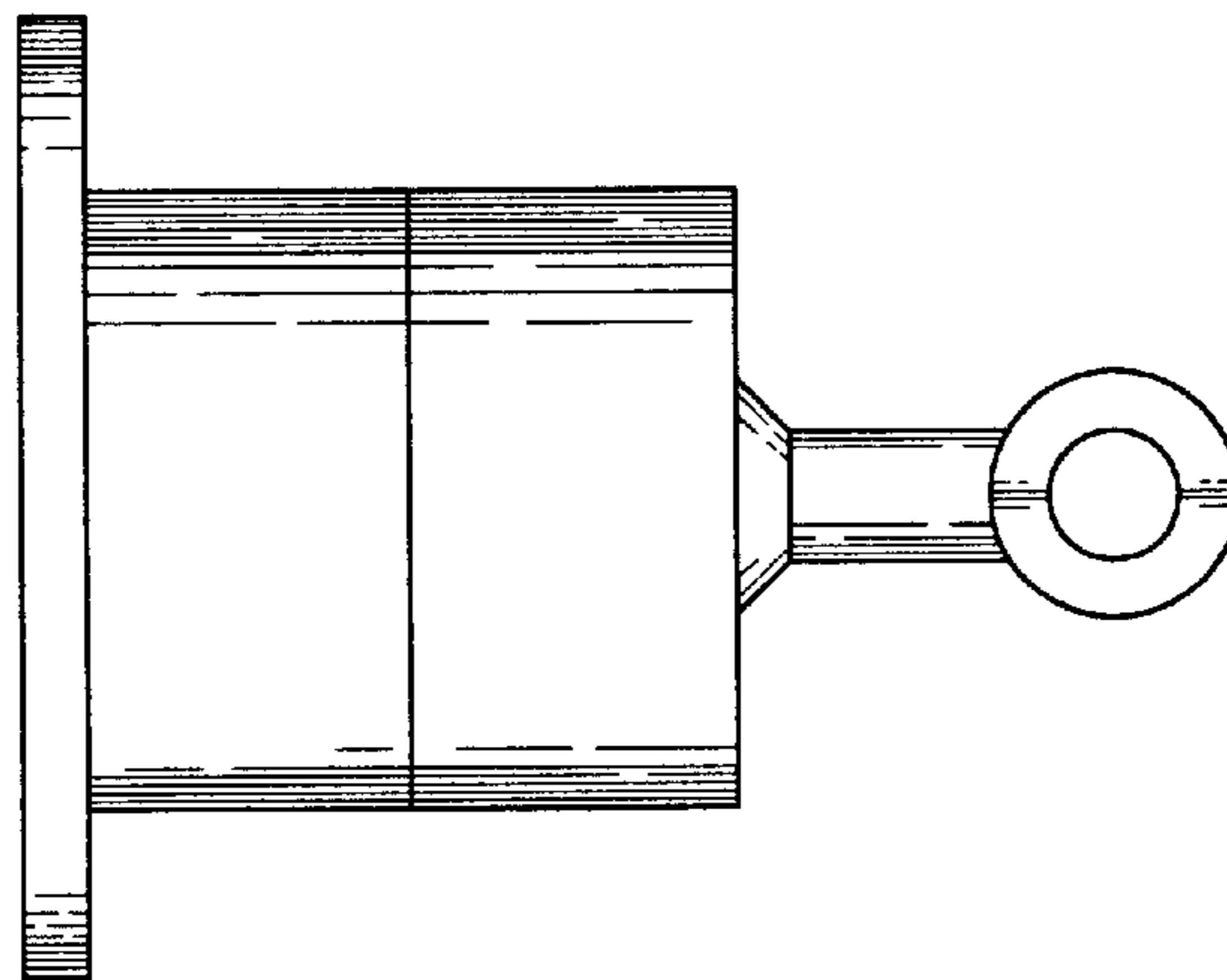


FIG. 5

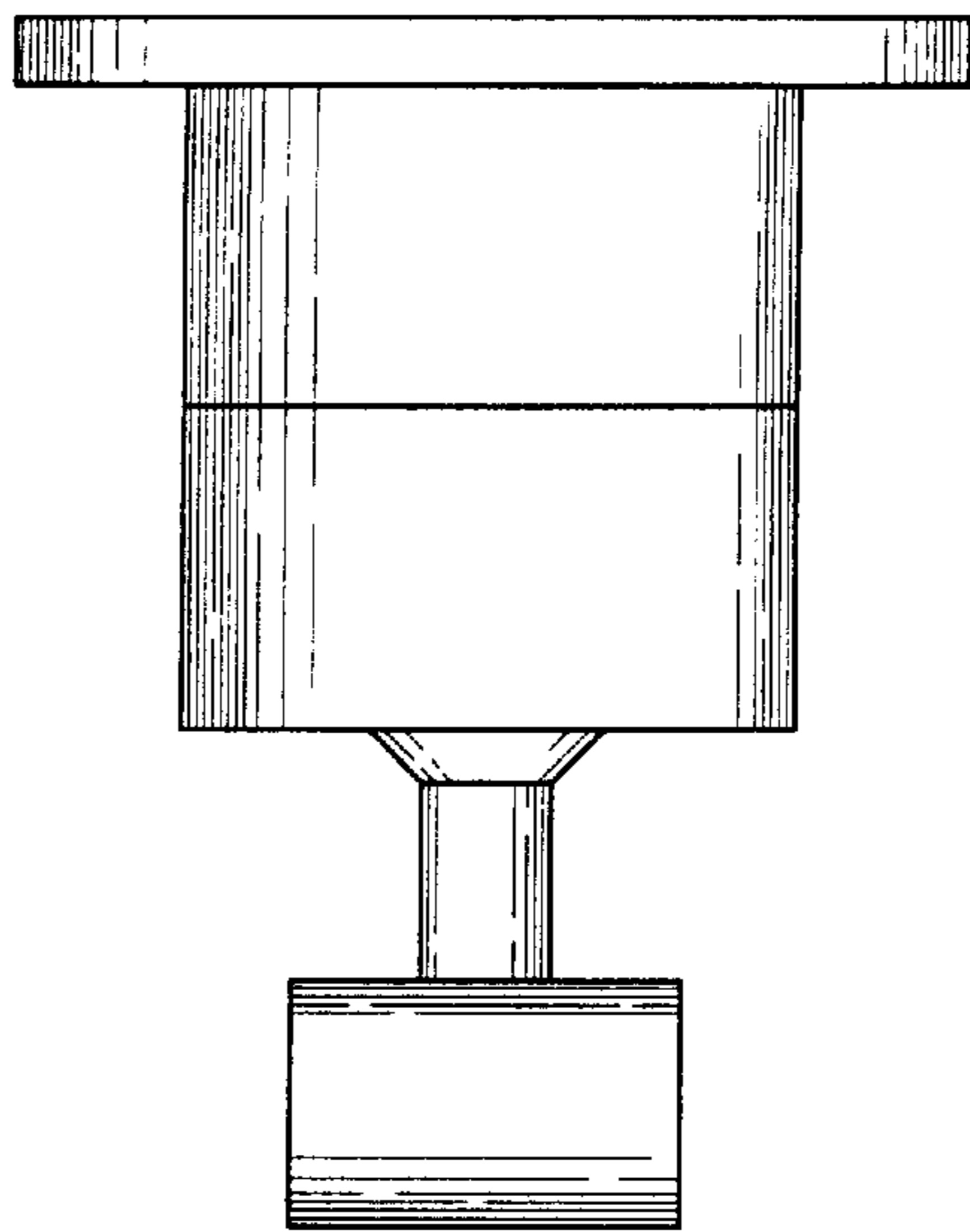


FIG. 6

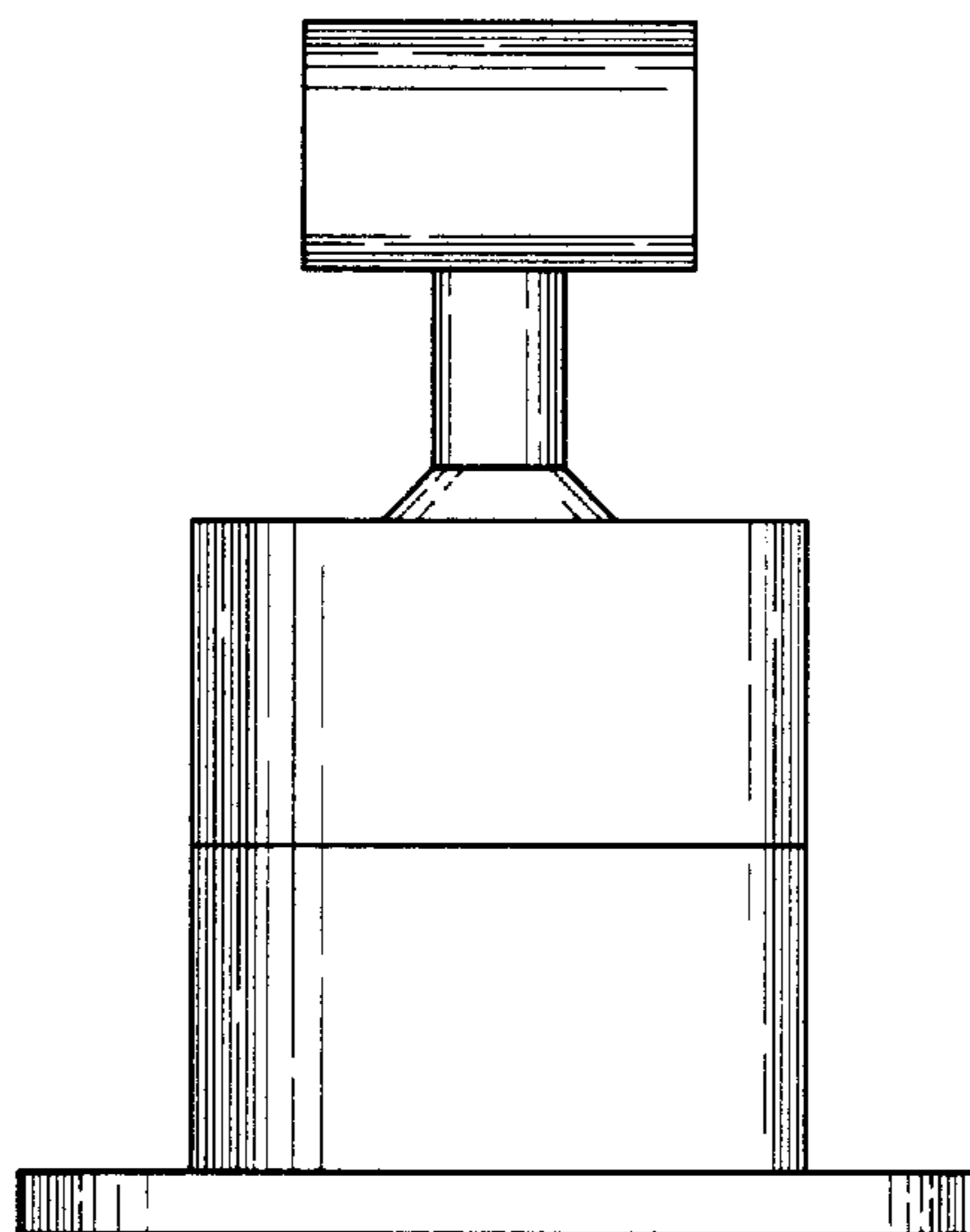


FIG. 7

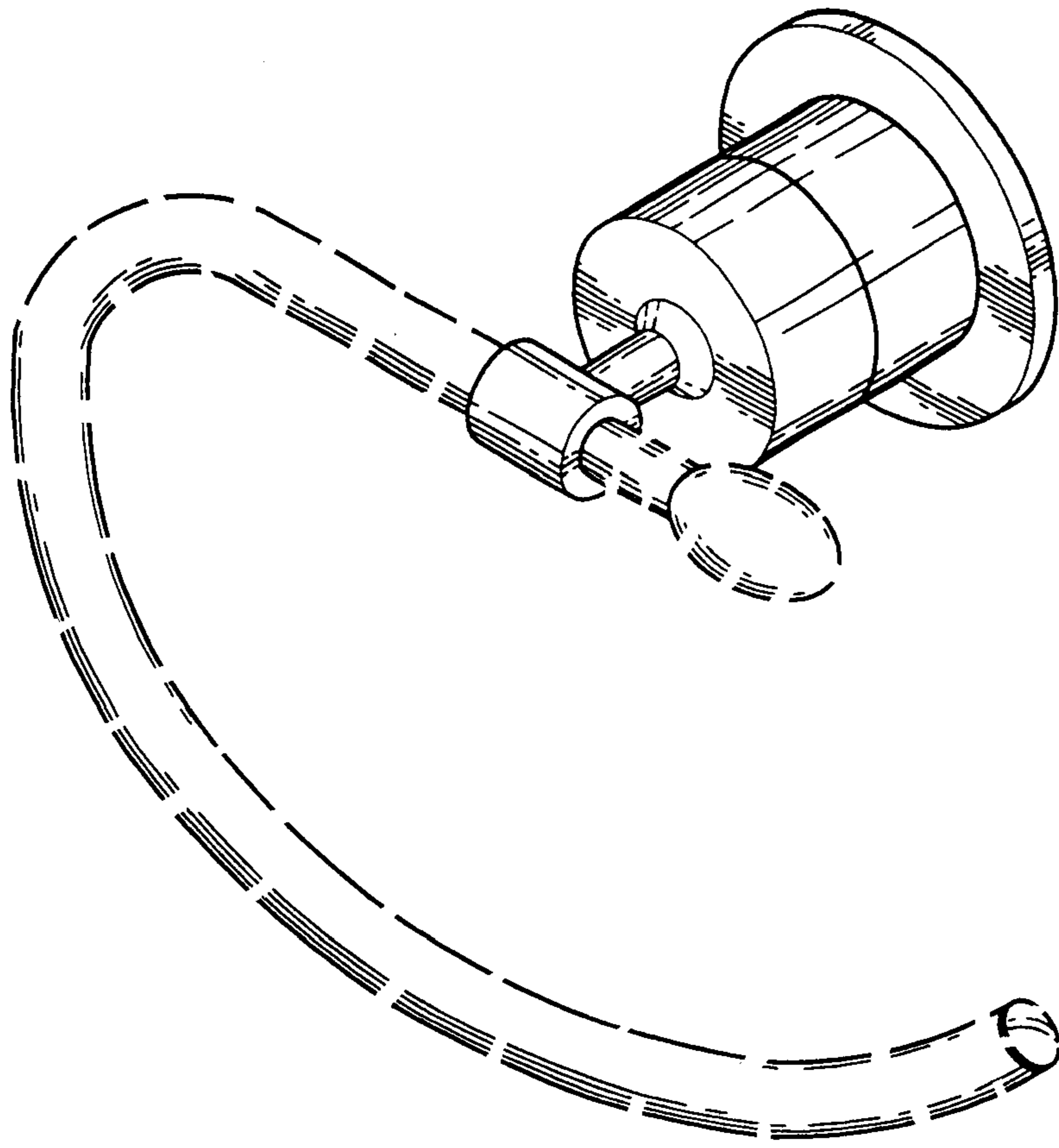


FIG. 8

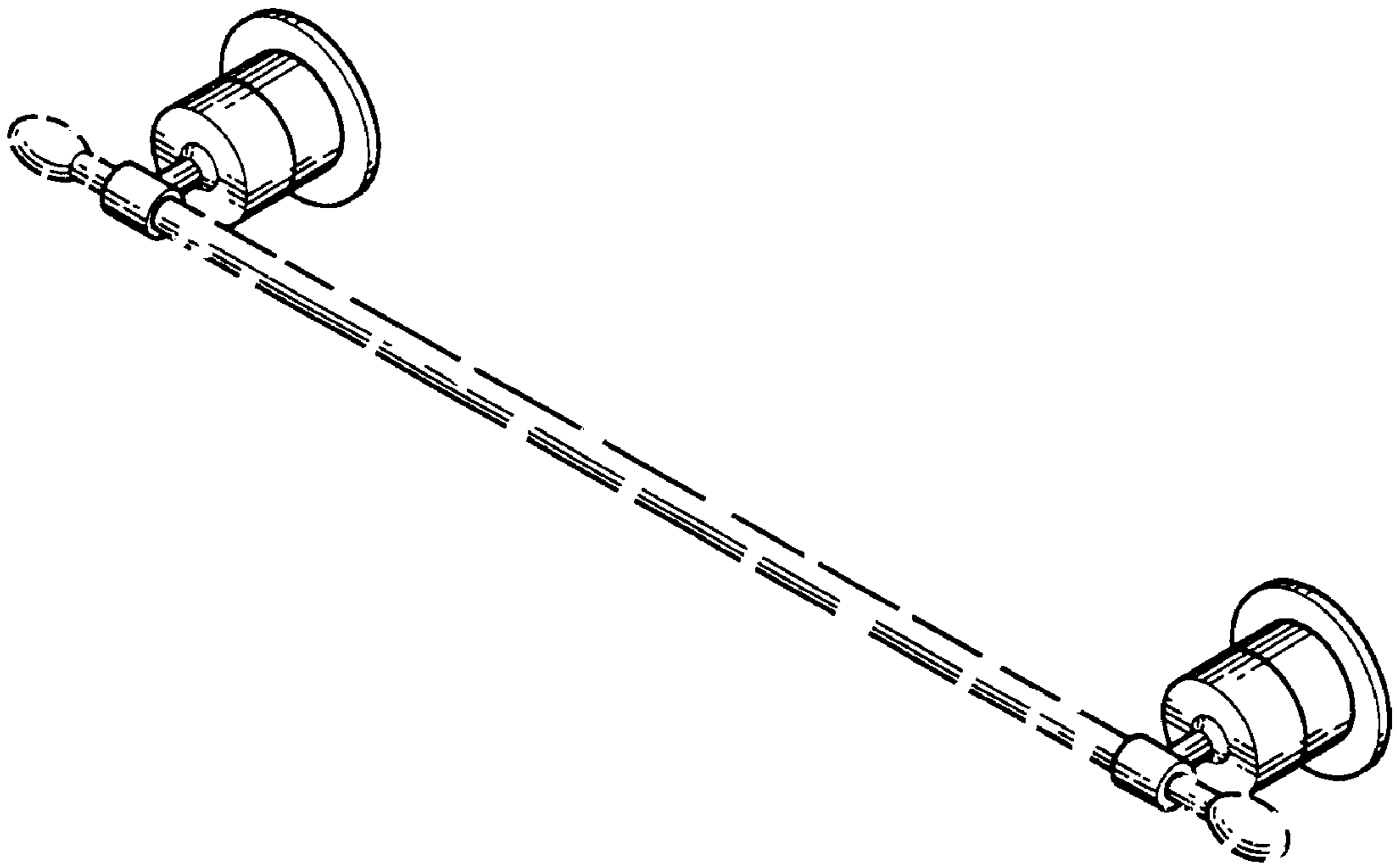


FIG. 9