



US00D463935S

(12) **United States Design Patent**
Zhao

(10) **Patent No.:** **US D463,935 S**

(45) **Date of Patent:** **** Oct. 8, 2002**

(54) **TOWEL BAR**

(75) **Inventor:** **WeiDong Zhao**, Xiamen (CN)

(73) **Assignee:** **Xiamen Lota International Co., Ltd.**,
Xiamen (CN)

(**) **Term:** **14 Years**

(21) **Appl. No.:** **29/149,668**

(22) **Filed:** **Oct. 15, 2001**

(51) **LOC (7) Cl.** **06-04**

(52) **U.S. Cl.** **D6/549**

(58) **Field of Search** D6/546-50, 518,
D6/522-24; D8/300, 307-8, 315-20; 108/29;
211/13.1, 16, 60.1, 86.01, 87.01, 88.04,
105.1-5.2, 106, 123, 181.1; 242/570, 588-90,
597-98; 248/49, 175, 200-1, 205.1, 214,
251-54, 261, 302, 304, 309.1, 314-17

(56) **References Cited**

U.S. PATENT DOCUMENTS

- D139,145 S * 10/1944 Sadowski D6/549
- D394,972 S * 6/1998 Moore et al. D6/550
- D451,740 S * 12/2001 Yeh D6/550

- D453,650 S * 2/2002 Meck et al. D6/549
- D454,742 S * 3/2002 Meck et al. D6/549
- D454,745 S * 3/2002 Wright D6/550

OTHER PUBLICATIONS

MatchMaker®—We make the match that makes the room.™ Price Pfister Pfresh Ideas in Pfaucets—Copyright 2000, Price Pfister, Inc.

* cited by examiner

Primary Examiner—Brian N. Vinson

(74) *Attorney, Agent, or Firm*—Wallenstein & Wagner, Ltd.

(57) **CLAIM**

I claim the ornamental design for a towel bar, shown and described.

DESCRIPTION

FIG. 1 is a perspective view of the towel bar of the invention;

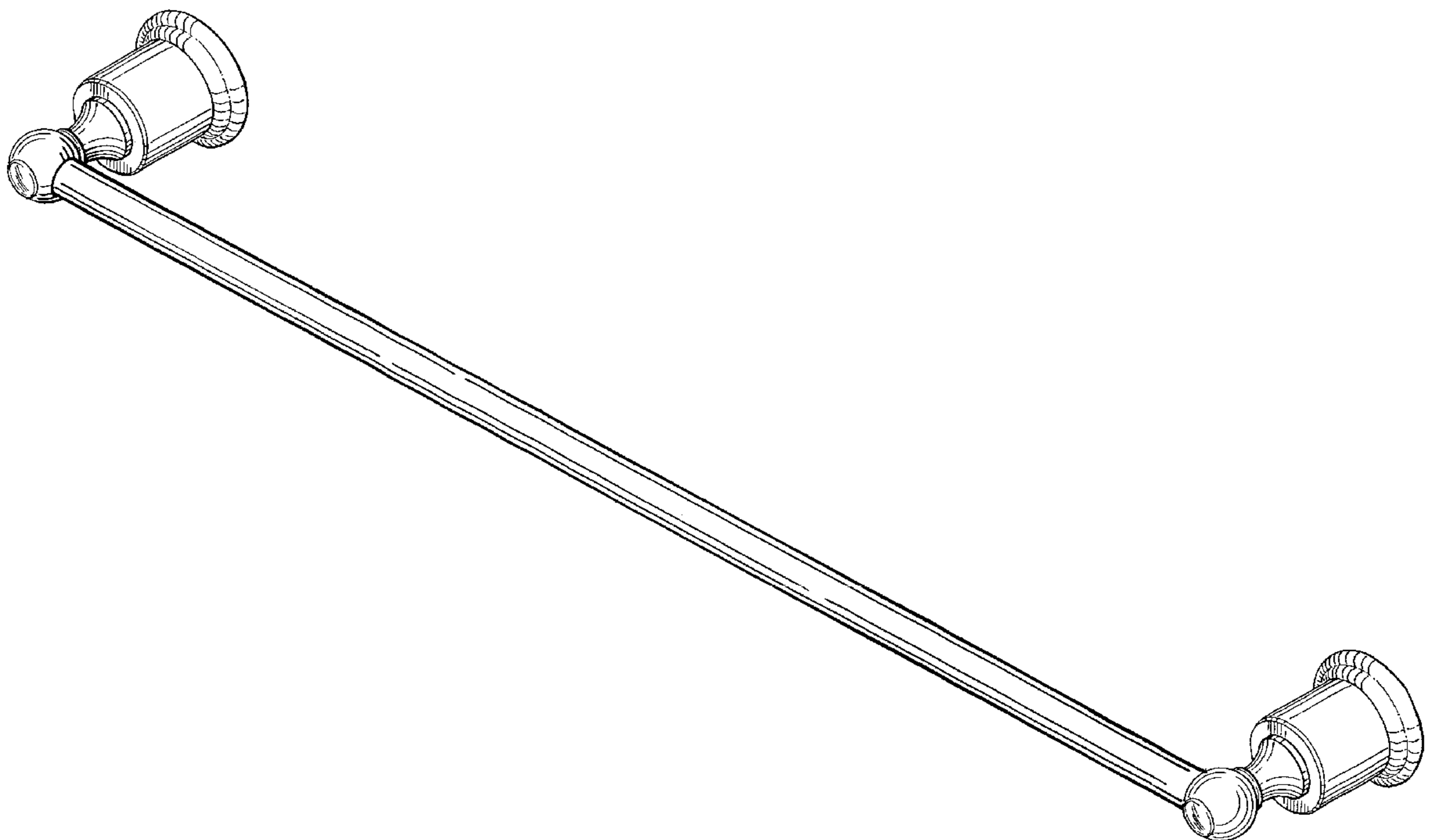
FIG. 2 is a side view of the towel bar of FIG. 1;

FIG. 3 is a top view of the towel bar of FIG. 1;

FIG. 4 is a front view of the towel bar of FIG. 1; and,

FIG. 5 is a rear view of the towel bar of FIG. 1.

1 Claim, 2 Drawing Sheets



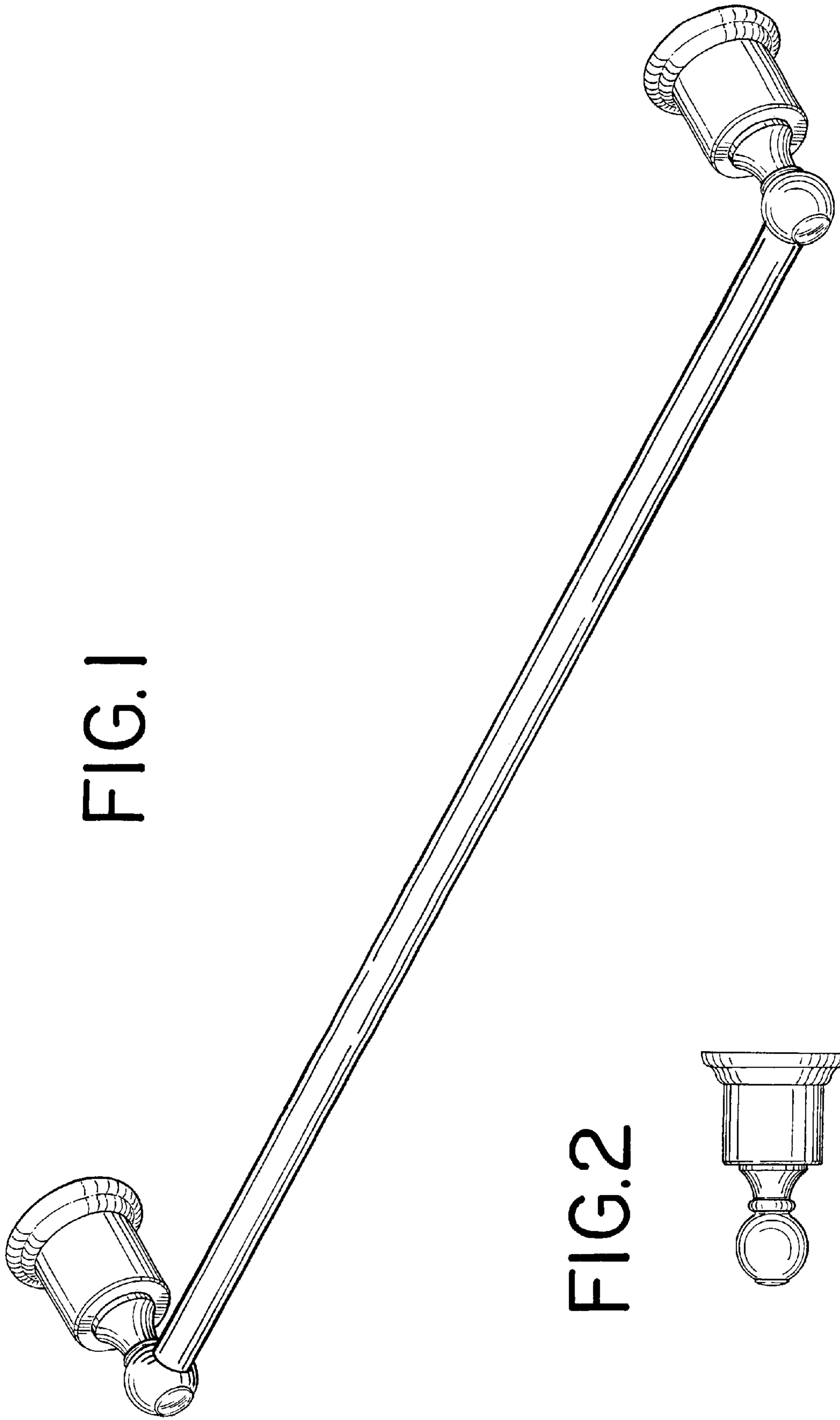


FIG. 1

FIG. 2

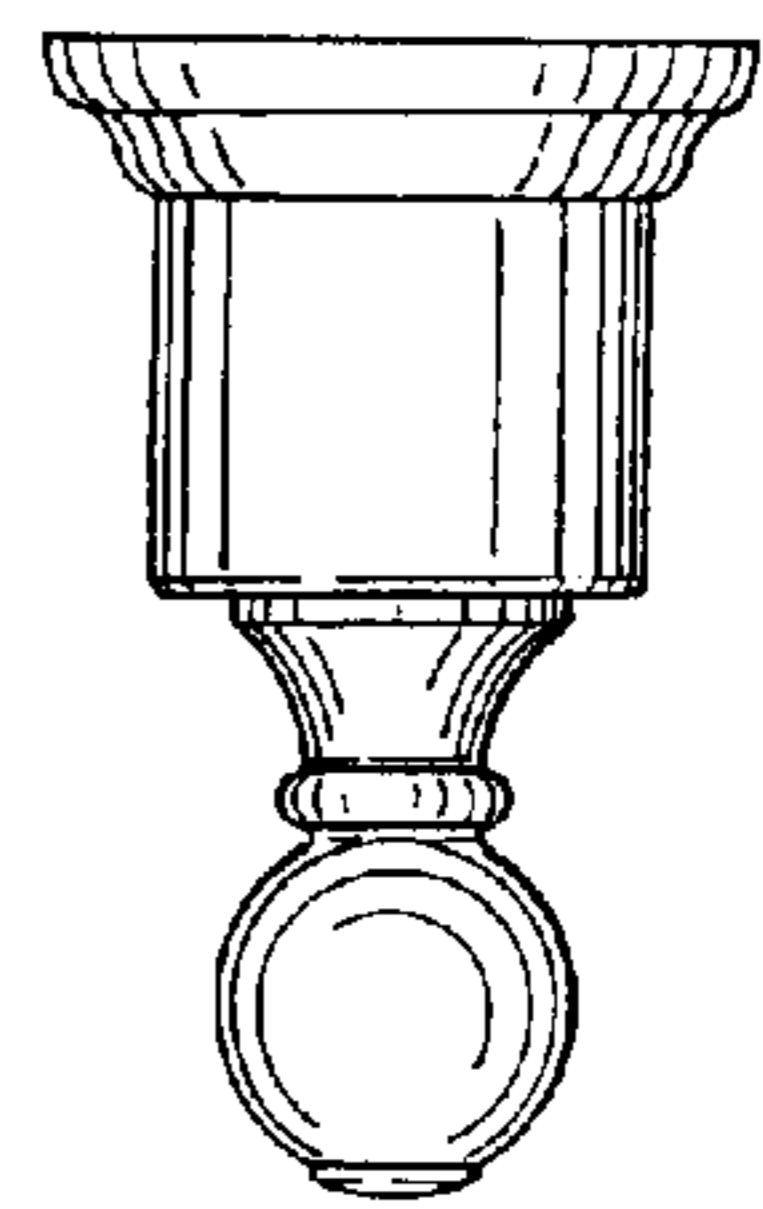


FIG.3

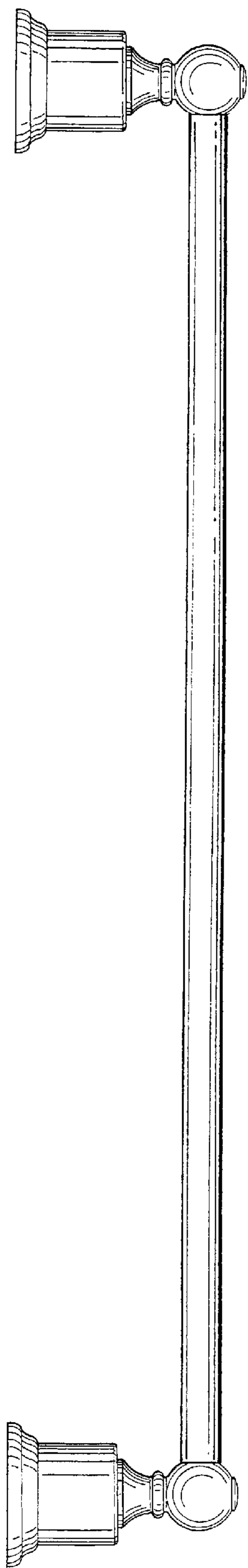


FIG.4

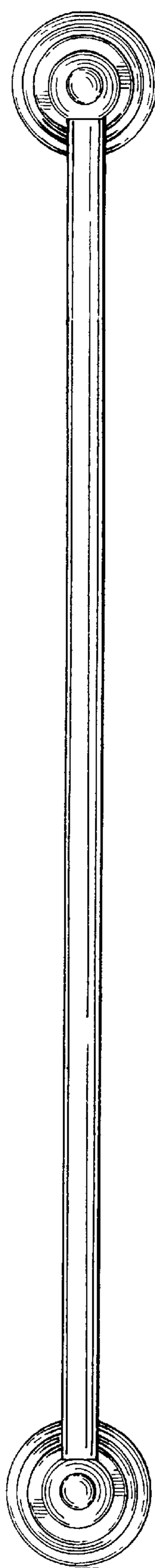


FIG.5

