



US00D463932S

(12) **United States Design Patent**
Carlson et al.

(10) **Patent No.:** **US D463,932 S**

(45) **Date of Patent:** **** Oct. 8, 2002**

(54) **TOOTHBRUSH-TUMBLER HOLDER**

(75) Inventors: **Roger Alan Carlson**, Troy, MI (US);
Leszek Solowiej, Montville, NJ (US)

(73) Assignee: **Bath Unlimited, Inc.**, Passaic, NJ (US)

(**) Term: **14 Years**

(21) Appl. No.: **29/155,902**

(22) Filed: **Feb. 20, 2002**

Related U.S. Application Data

(62) Division of application No. 29/124,610, filed on Jun. 8, 2000, now Pat. No. Des. 455,925.

(51) **LOC (7) Cl.** **23-02**

(52) **U.S. Cl.** **D6/531**

(58) **Field of Search** D6/534-540, 528-529,
D6/531, 524; 248/309.1; 206/77.1; 211/13.1,
86.01, 88.01, 126.1, 134

(56) **References Cited**

U.S. PATENT DOCUMENTS

2,028,694 A * 1/1936 Spinks D6/535 X

D204,734 S * 5/1966 O'Neil D6/536
D262,922 S * 2/1982 Fleischmann et al. D6/531
D386,342 S * 11/1997 Moore D6/531
D416,153 S * 11/1999 Chen D6/524
D417,992 S * 12/1999 Roth et al. D6/531

* cited by examiner

Primary Examiner—Brian N. Vinson

(74) *Attorney, Agent, or Firm*—Edgar A. Zarins; Lloyd D. Doigan

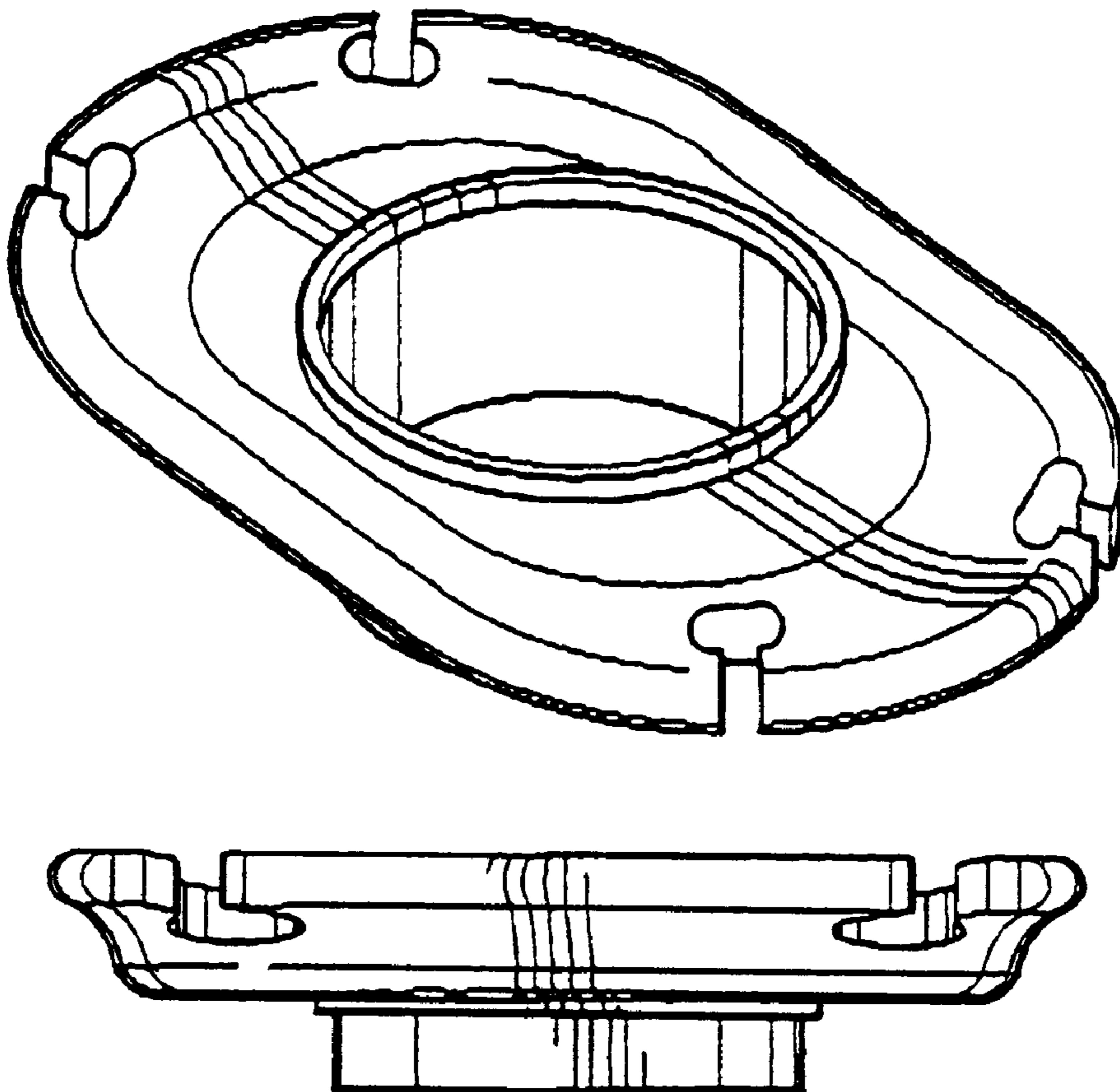
(57) **CLAIM**

The ornamental design for a toothbrush-tumbler holder, as shown and described.

DESCRIPTION

FIG. 1 is a perspective view of a toothbrush-tumbler holder showing my new design;
FIG. 2 is a top plan view thereof;
FIG. 3 is a side view thereof, the opposite side being a mirror image of the side shown;
FIG. 4 is a bottom plan view thereof; and,
FIG. 5 is an end view thereof, the opposite end being a mirror image of the end shown.

1 Claim, 1 Drawing Sheet



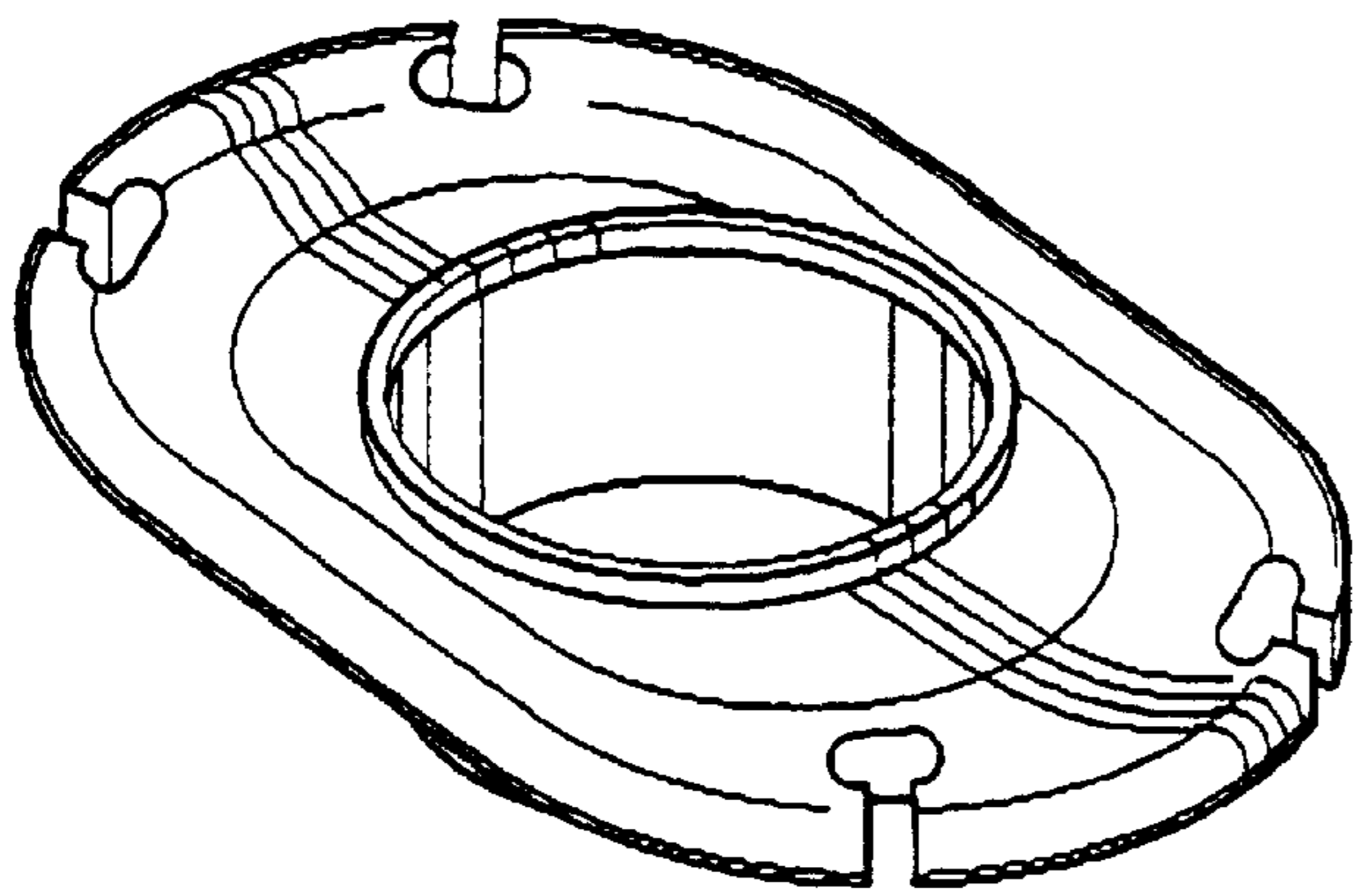


Fig-1

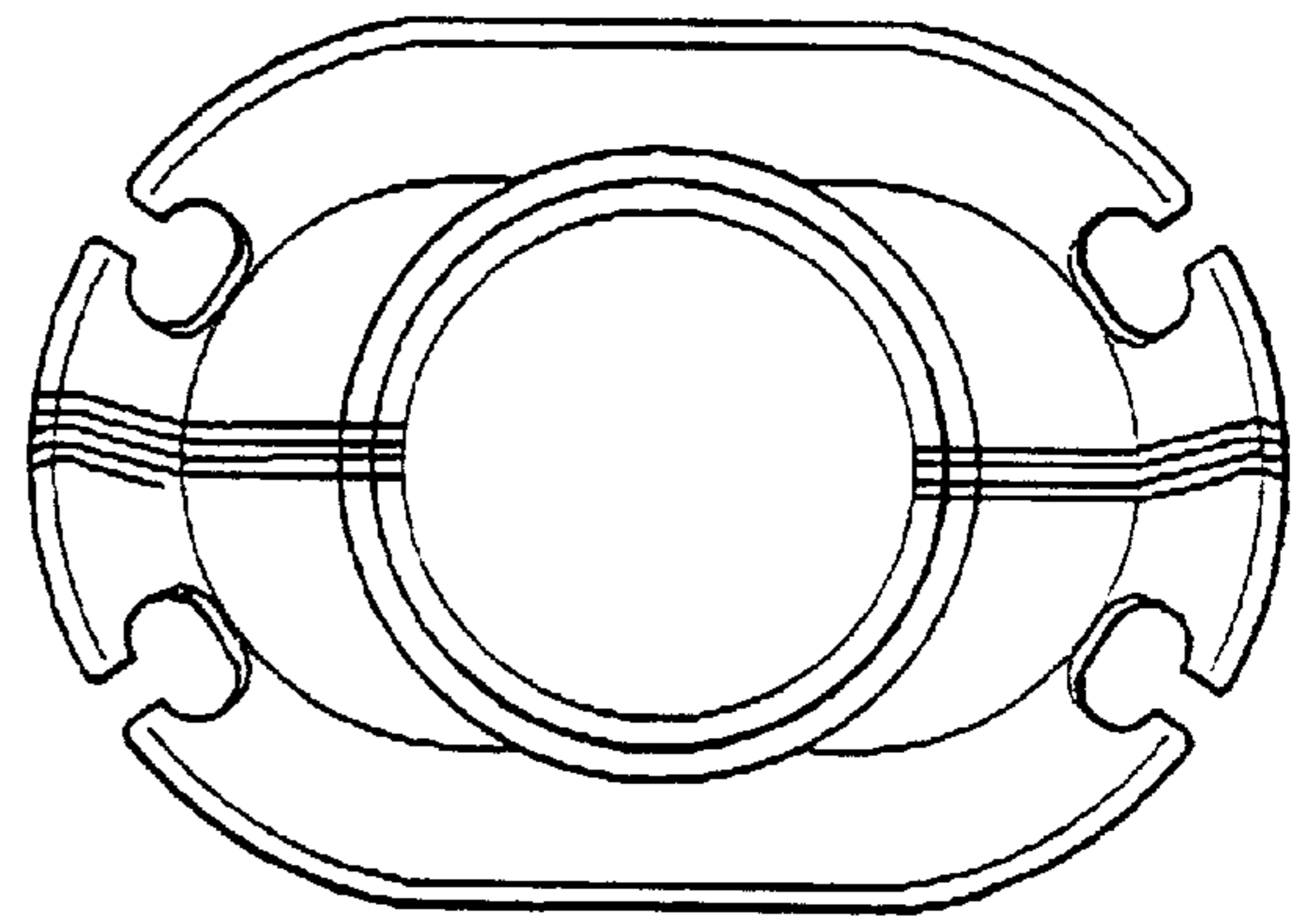


Fig-2

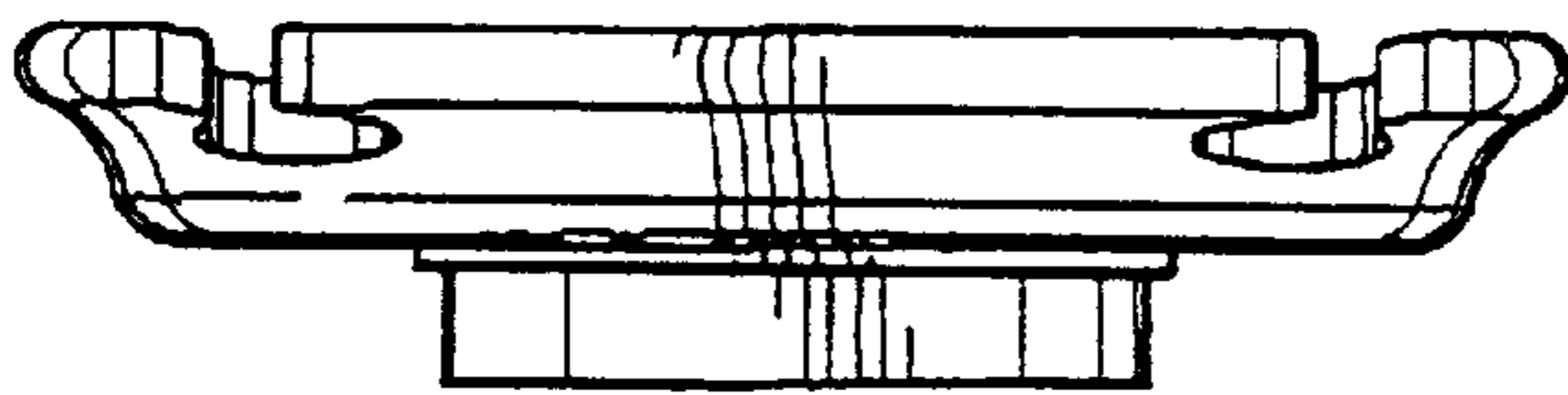


Fig-3

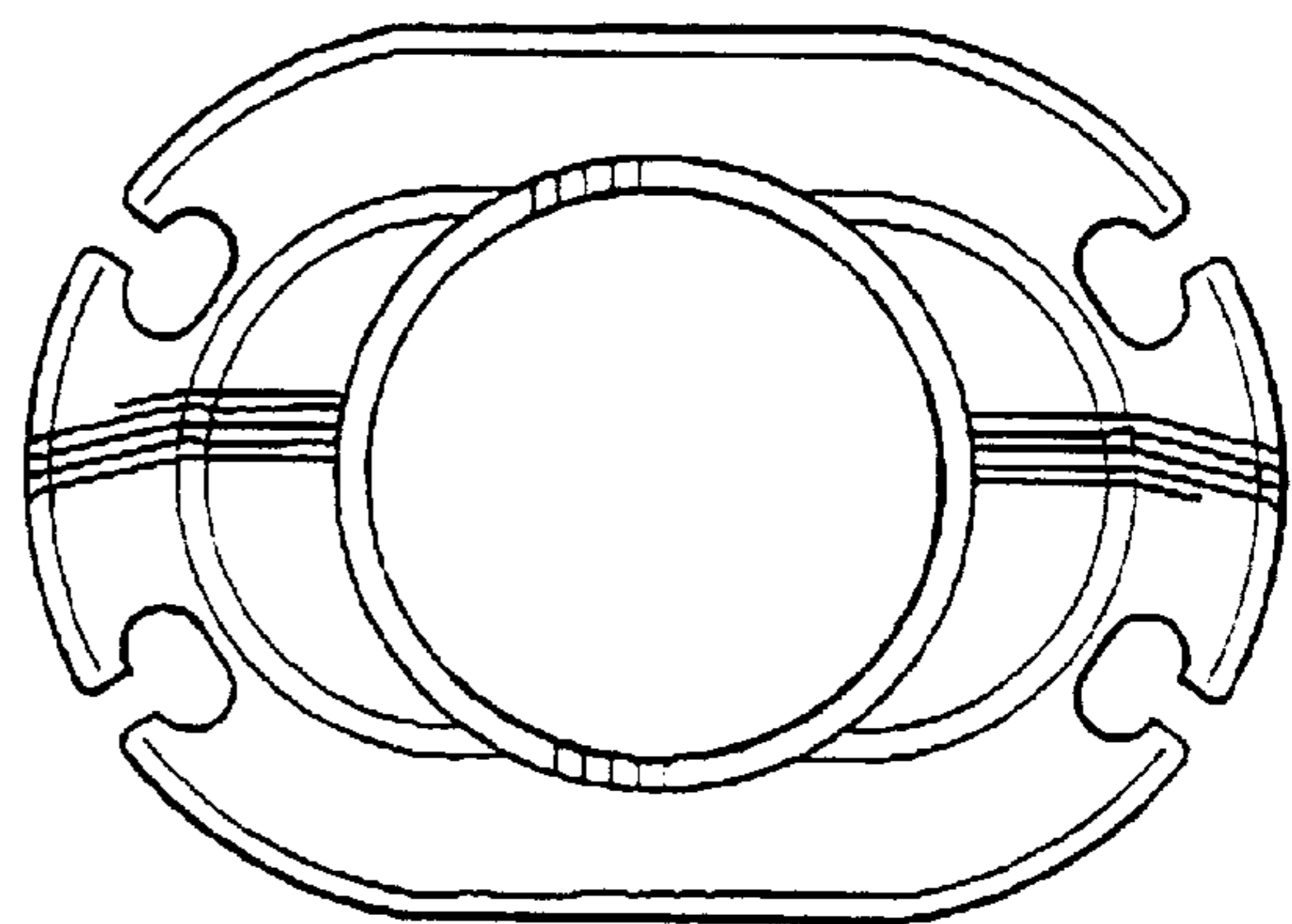


Fig-4

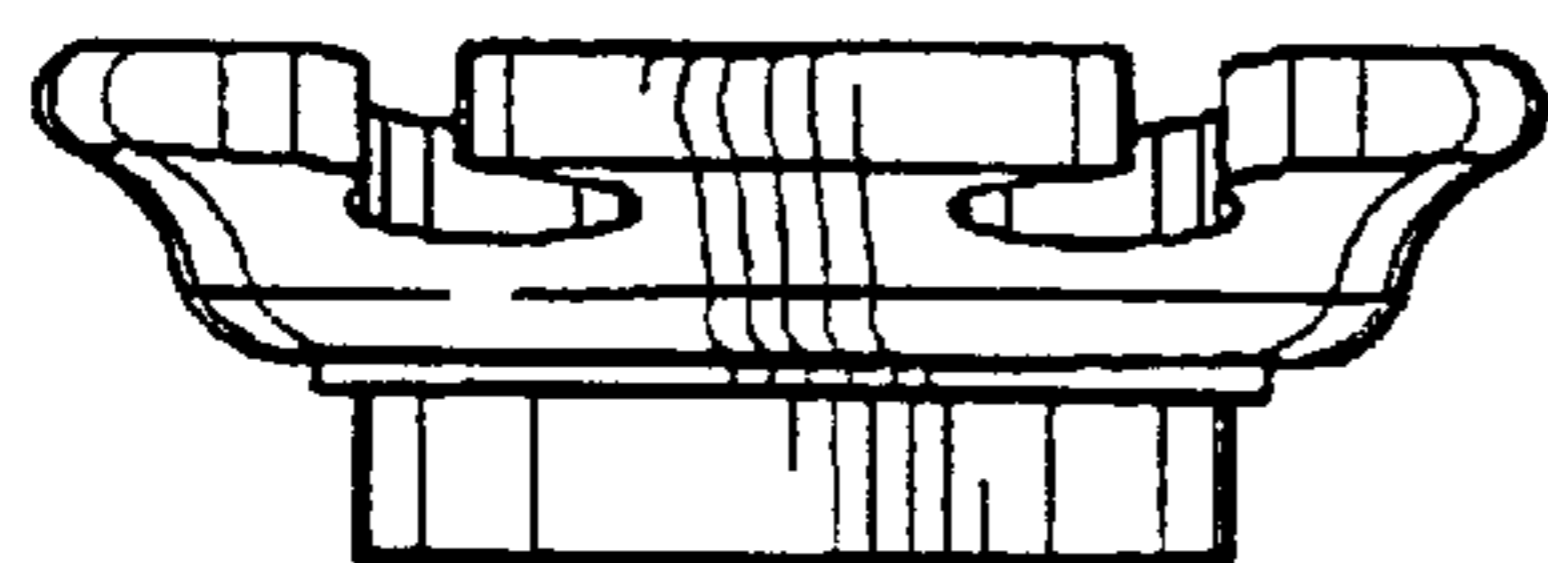


Fig-5