



US00D463931S

(12) **United States Design Patent**  
**Zhao**

(10) **Patent No.:** **US D463,931 S**

(45) **Date of Patent:** **\*\* Oct. 8, 2002**

(54) **PAPER HOLDER**

(75) Inventor: **WeiDong Zhao**, Xiamen (CN)

(73) Assignee: **Xiamen Lota International Co., Ltd.**,  
Xiamen (CN)

(\*\*) Term: **14 Years**

(21) Appl. No.: **29/149,679**

(22) Filed: **Oct. 15, 2001**

(51) **LOC (7) Cl.** ..... **23-02**

(52) **U.S. Cl.** ..... **D6/523**

(58) **Field of Search** ..... D6/546-50, 518,  
D6/522-24; D8/300, 307-8, 315-20; 108/29;  
211/13.1, 16, 60.1, 86.01, 87.01, 88.04,  
105.1-5.2, 106, 123, 181.1; 242/570, 588-90,  
597-98; 248/49, 175, 200-1, 205.1, 214,  
251-54, 261, 302, 304, 309.1, 314-17

(56) **References Cited**

**U.S. PATENT DOCUMENTS**

- D139,145 S \* 10/1944 Sadowski ..... D6/549
- D394,972 S \* 6/1998 Moore et al. .... D6/550
- D451,740 S \* 12/2001 Yeh ..... D6/550

- D453,650 S \* 2/2002 Meck et al. .... D6/549
- D454,742 S \* 3/2002 Meck et al. .... D6/549
- D454,745 S \* 3/2002 Wright ..... D6/550

**OTHER PUBLICATIONS**

MatchMakers®—We make the match that makes the room.™ Price Pfister Pfreshest Ideas in Pfaucets—Copyright 2000, Price Pfister, Inc.

\* cited by examiner

*Primary Examiner*—Brian N. Vinson

(74) *Attorney, Agent, or Firm*—Wallenstein & Wagner, Ltd.

(57) **CLAIM**

I claim the ornamental design for a paper holder, shown and described.

**DESCRIPTION**

FIG. 1 is a perspective view of the paper holder of the invention;

FIG. 2 is a side view of the paper holder of FIG. 1;

FIG. 3 is a top view of the paper holder of FIG. 1;

FIG. 4 is a front view of the paper holder of FIG. 1; and,

FIG. 5 is a rear view of the paper holder of FIG. 1.

**1 Claim, 2 Drawing Sheets**

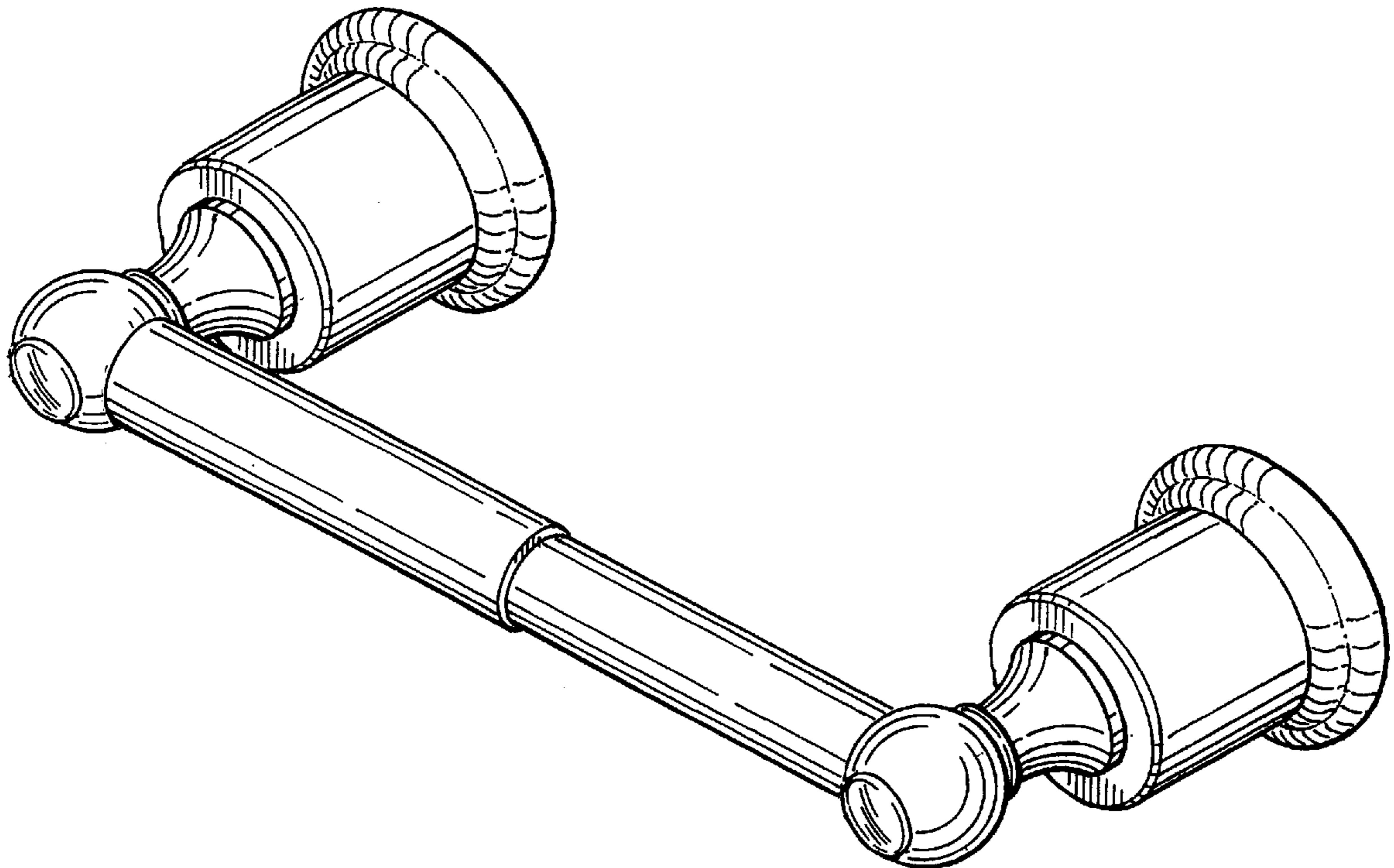


FIG. 1

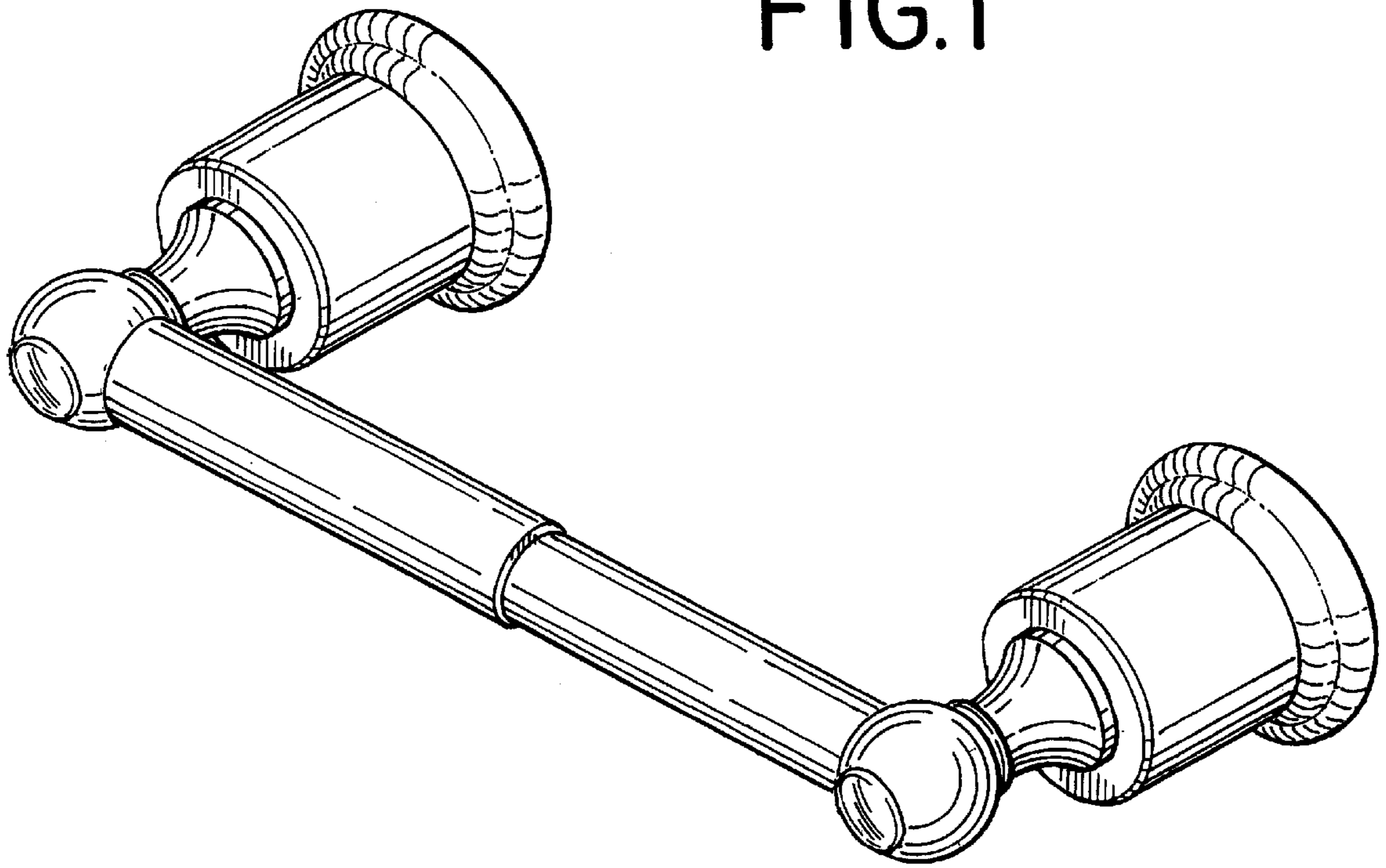


FIG. 2

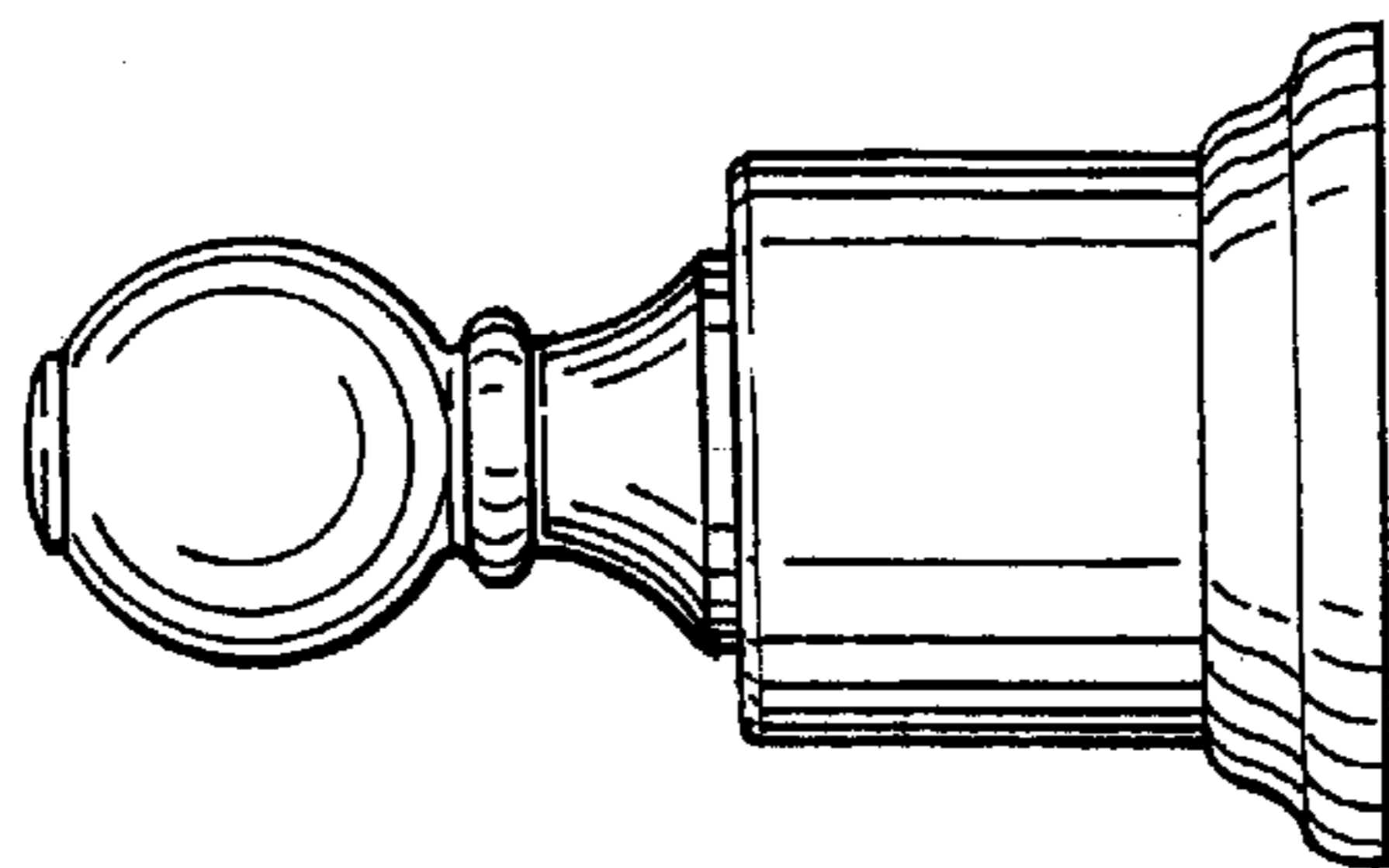


FIG.3

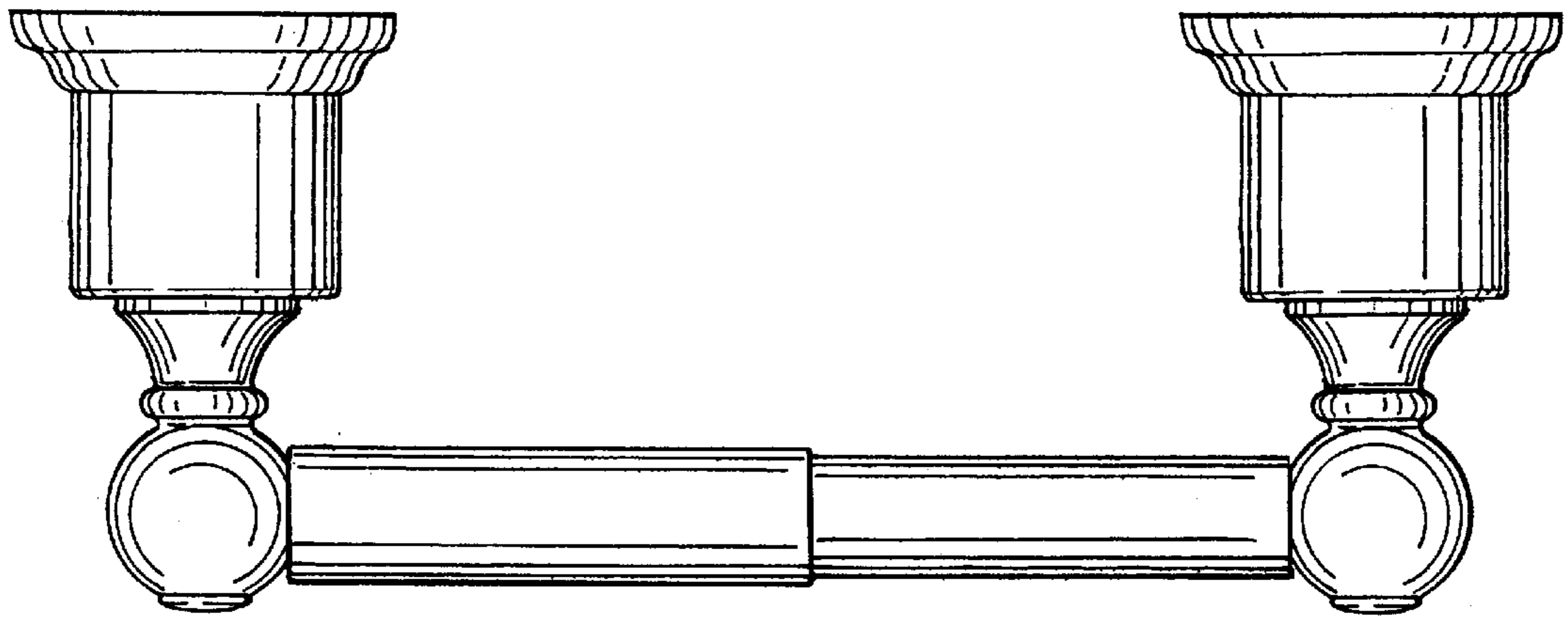


FIG.4

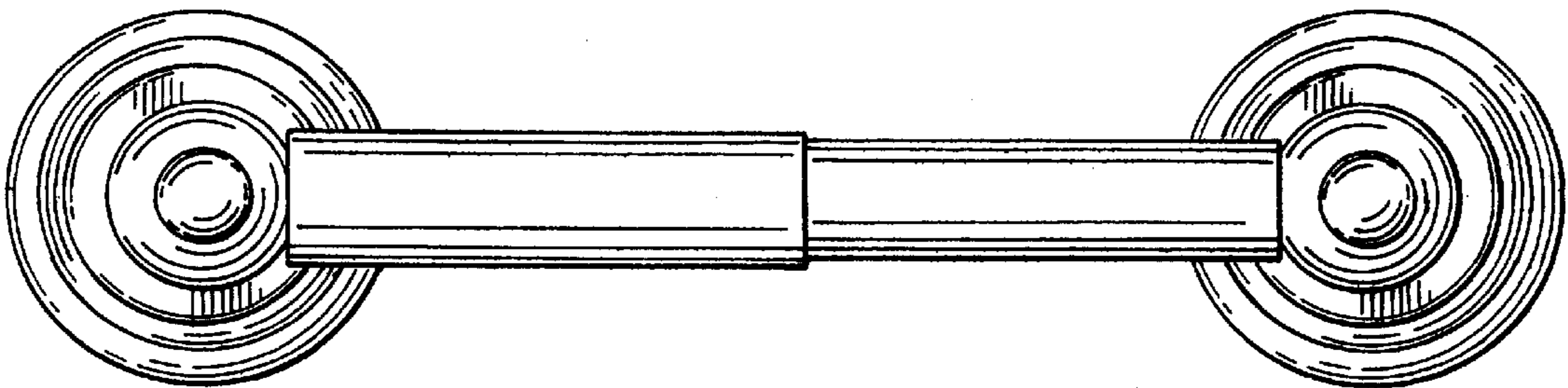


FIG.5

