



US00D463927S

(12) **United States Design Patent**  
**Trau**

(10) **Patent No.:** **US D463,927 S**

(45) **Date of Patent:** **\*\* Oct. 8, 2002**

(54) **CORONA FOR A CANOPY BED**

D379,107 S \* 5/1997 Loch et al. .... D1/118

(75) Inventor: **Kathy K. Trau**, 13909 E. Maplewood Pl., Englewood, CO (US) 80111

\* cited by examiner

*Primary Examiner*—Janice E. Seeger

(73) Assignee: **Kathy K. Trau**, Englewood, CO (US)

(57) **CLAIM**

(\*\*) Term: **14 Years**

The ornamental design for a corona for a canopy bed, as shown and described.

(21) Appl. No.: **29/142,589**

**DESCRIPTION**

(22) Filed: **Jun. 7, 2001**

(51) **LOC (7) Cl.** ..... **06-06**

(52) **U.S. Cl.** ..... **D6/503**

(58) **Field of Search** ..... D6/389, 505, 503, D6/491, 580; 5/279.1, 280, 281, 907, 121, 122, 414; 135/100, 121, 135; D2/871, 875

FIG. 1 is a front elevational view of a corona for a canopy bed, the rear elevational view being the mirror image of the front view;

FIG. 2 is a right side elevational view thereof, the left side elevational view being the mirror image of the right side view;

FIG. 3 is a top plan view thereof;

FIG. 4 is a bottom plan view thereof; and,

FIG. 5 is a lower front perspective view, showing my new design.

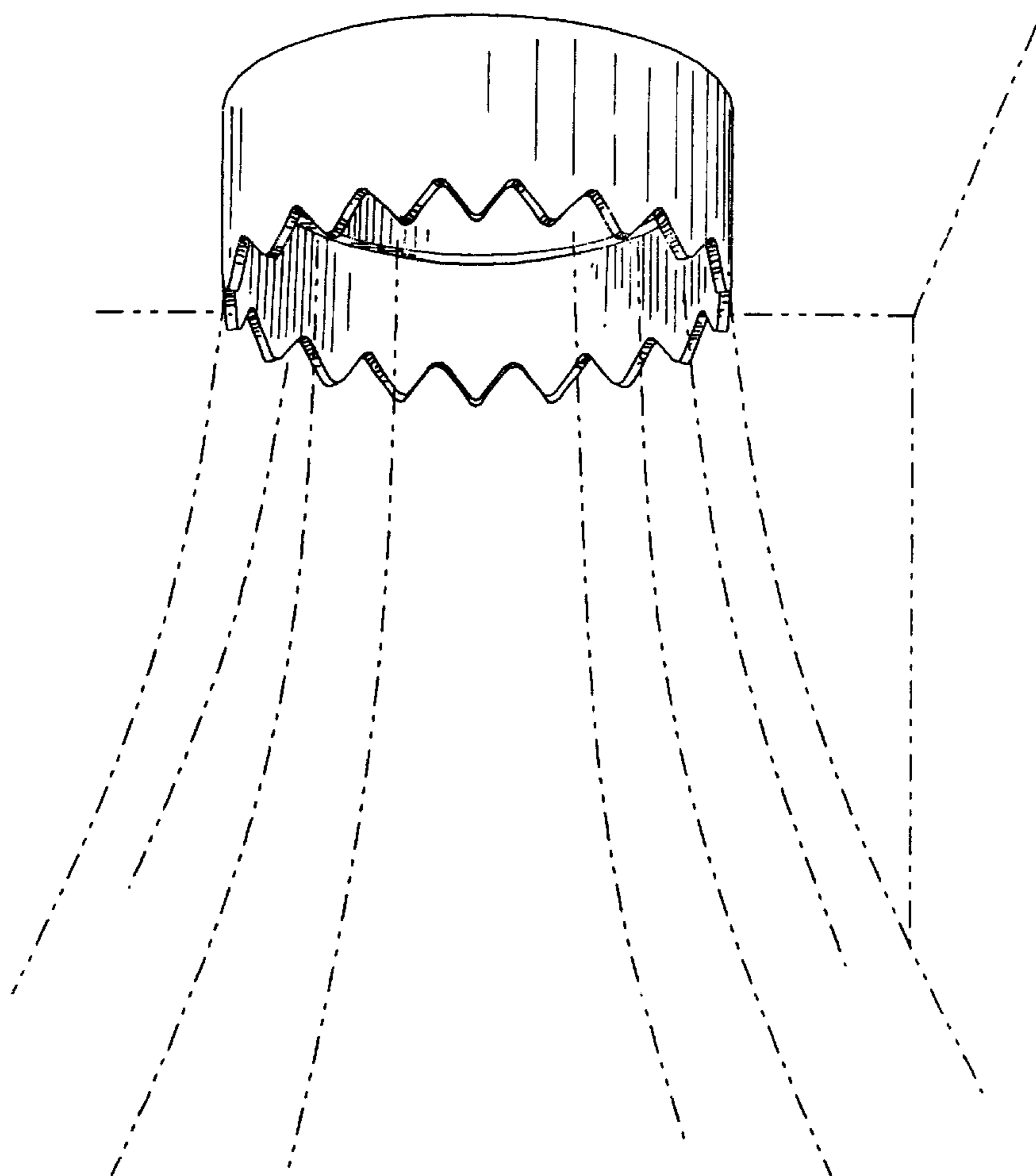
The broken lines are for environmental purposes only and form no part of the claimed design.

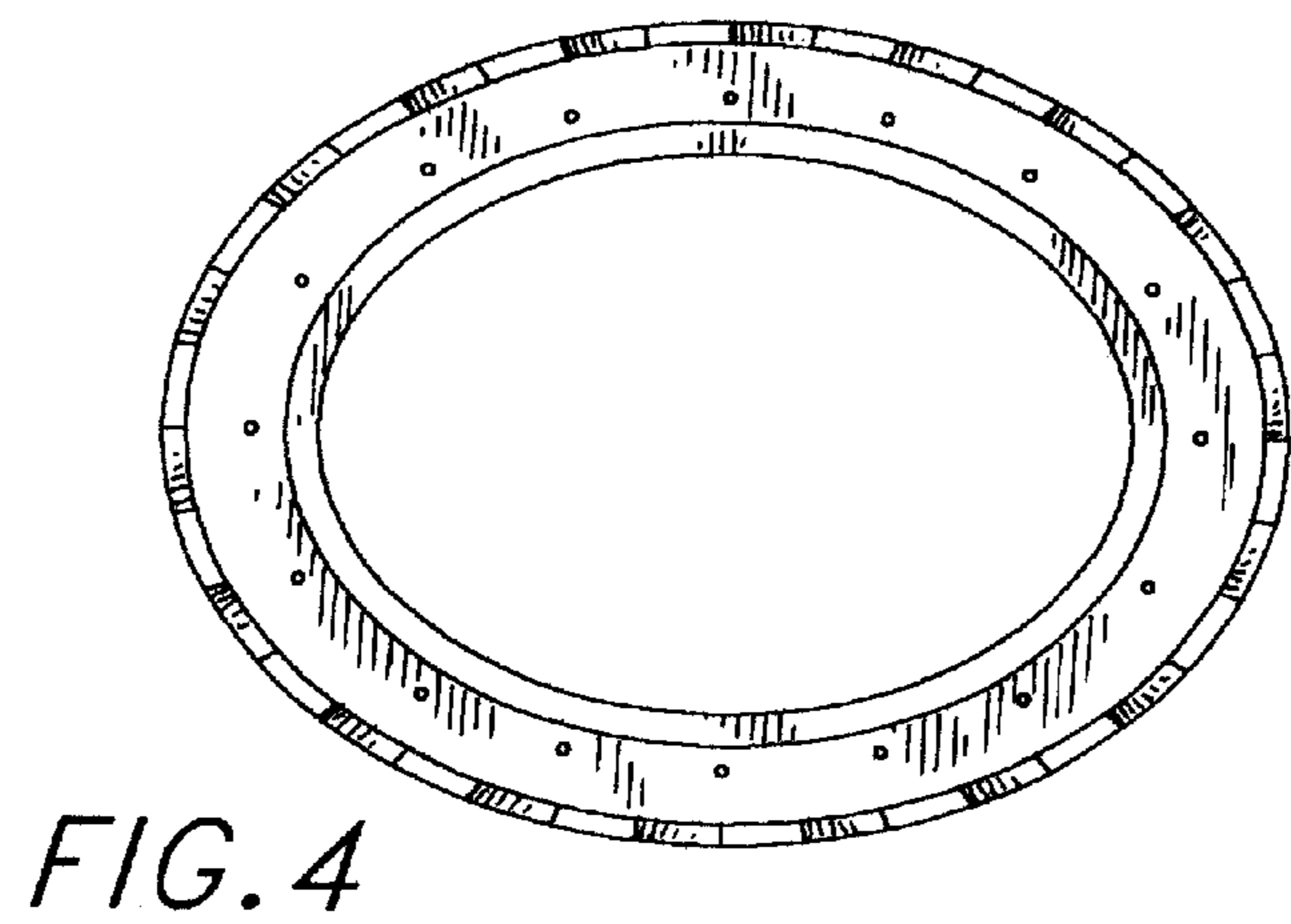
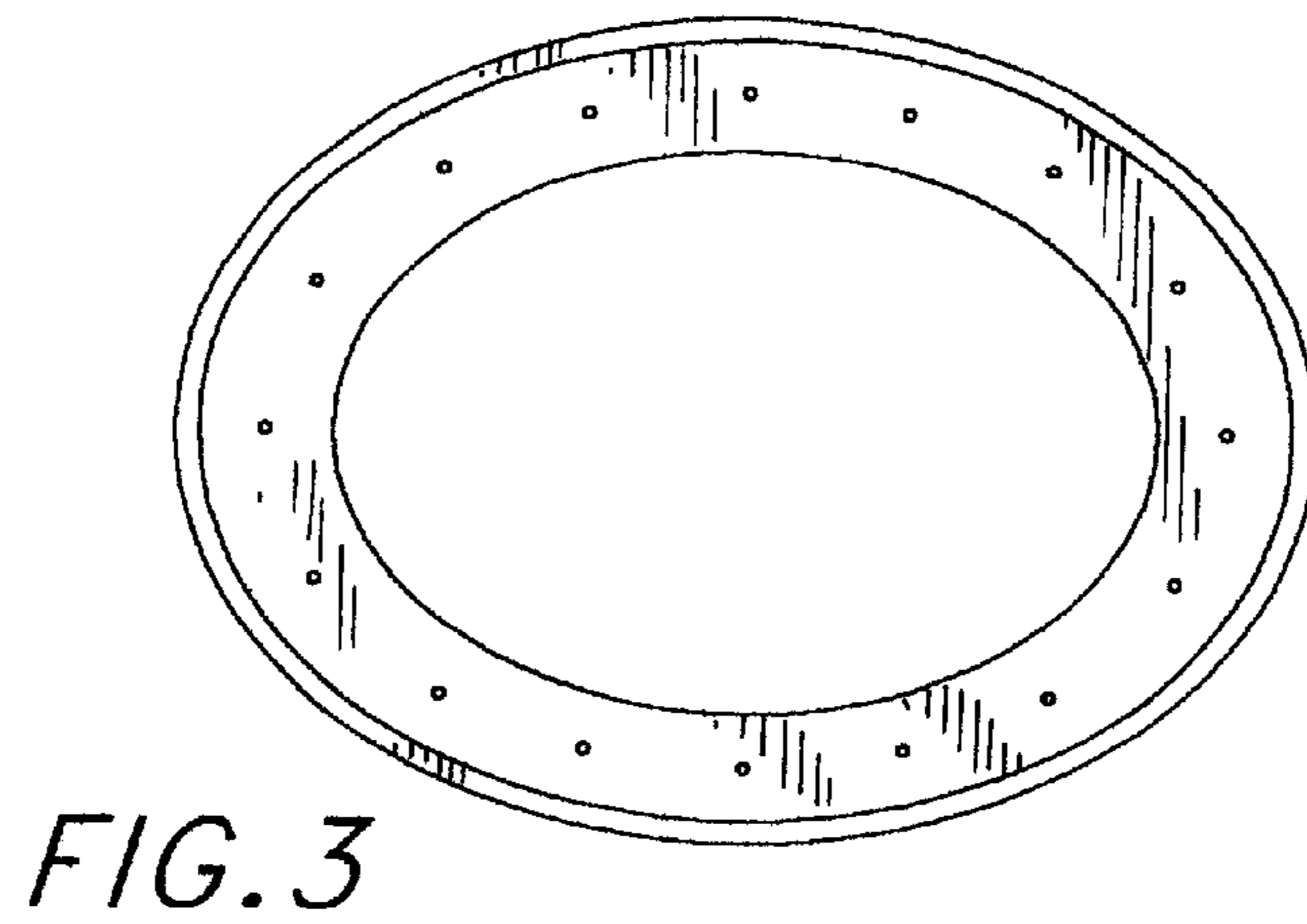
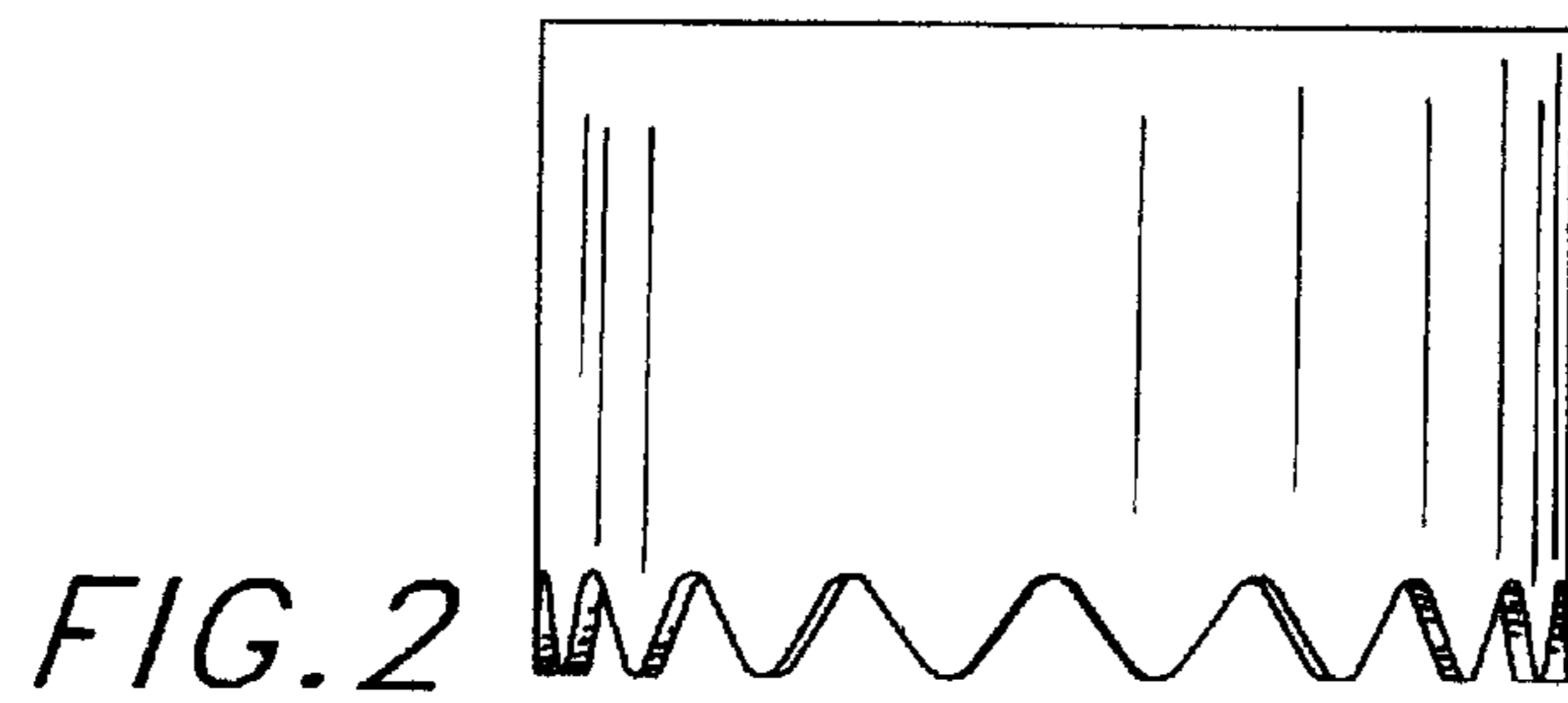
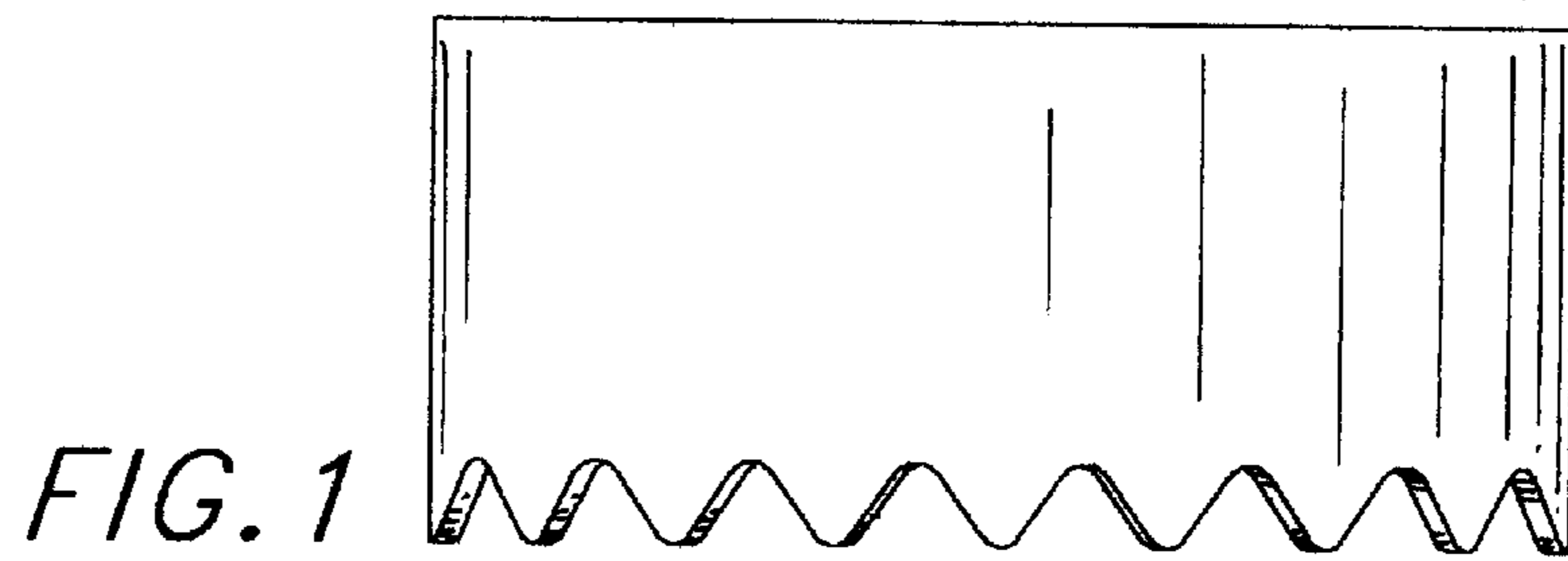
(56) **References Cited**

**U.S. PATENT DOCUMENTS**

|             |   |         |         |         |
|-------------|---|---------|---------|---------|
| 20,097 A    | * | 4/1858  | Sneers  | 5/414   |
| 87,589 A    | * | 3/1869  | Platt   | 5/414   |
| 692,419 A   | * | 2/1902  | Broun   | 5/414   |
| 3,540,170 A | * | 11/1970 | Flowers | 135/100 |

**1 Claim, 2 Drawing Sheets**





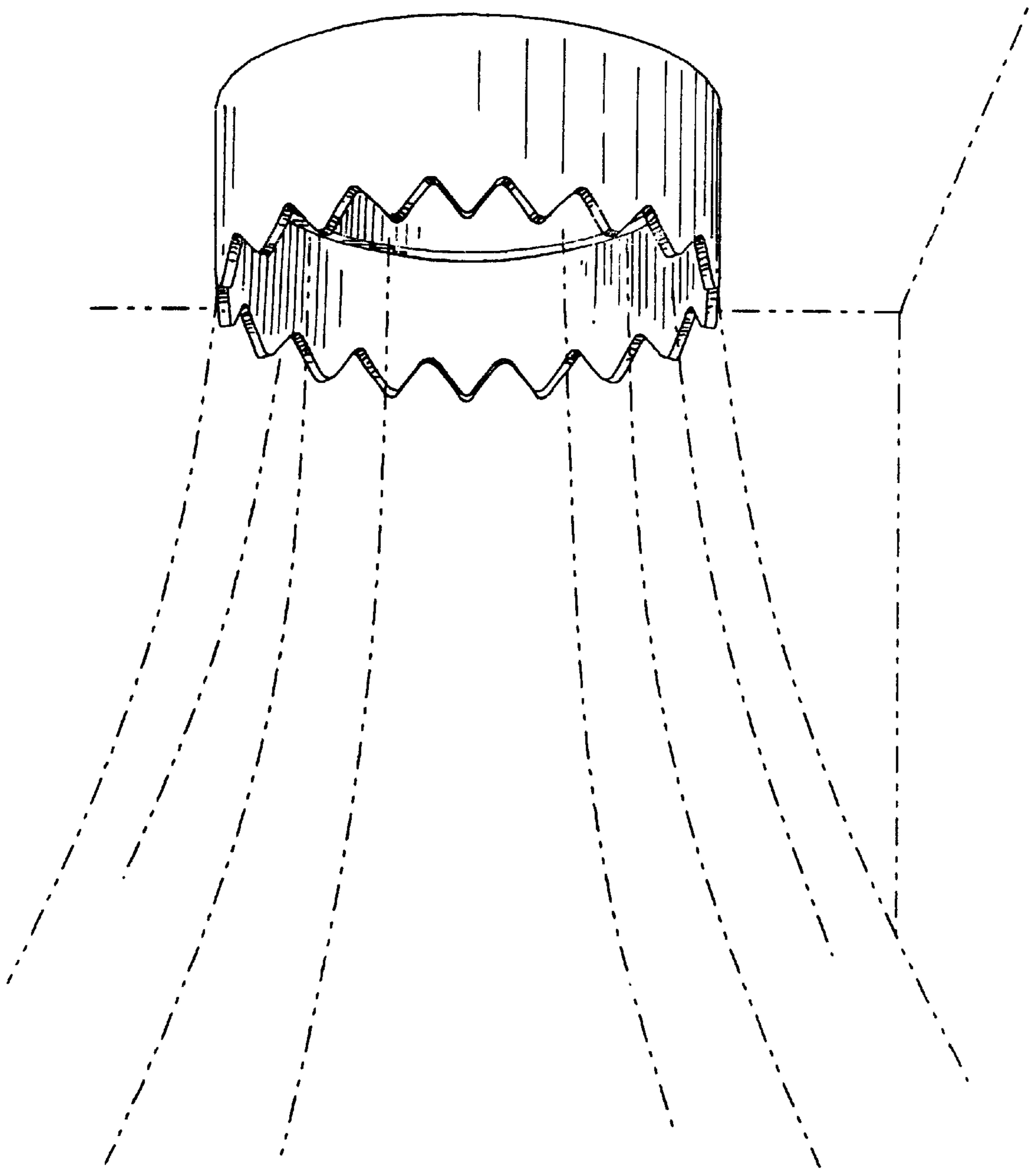


FIG. 5