



US00D463926S

(12) **United States Design Patent**  
**Hsieh**

(10) **Patent No.:** **US D463,926 S**

(45) **Date of Patent:** **\*\* Oct. 8, 2002**

(54) **CHASSIS OF SEAT FOR AN OFFICE CHAIR**

D326,566 S \* 6/1992 McNeil ..... D6/334 X  
D396,976 S \* 8/1998 Cronk ..... D6/500

(76) Inventor: **Feng-Lung Hsieh**, No. 55, Lane 373,  
Shing Sheng South Road, Ma Tou,  
Tainan Hsien (TW)

\* cited by examiner

(\*\*) Term: **14 Years**

*Primary Examiner*—Gary D. Watson

(74) *Attorney, Agent, or Firm*—Rosenberg, Klein & Lee

(21) Appl. No.: **29/149,329**

(57) **CLAIM**

(22) Filed: **Oct. 10, 2001**

The ornamental design for a chassis of seat for an office chair, as shown and described.

(51) **LOC (7) Cl.** ..... **06-06**

**DESCRIPTION**

(52) **U.S. Cl.** ..... **D6/500**

(58) **Field of Search** ..... D6/334, 335, 364,  
D6/365, 366, 367, 500, 501, 502; 297/452.1,  
452.14, 452.15, 452.59, DIG. 2

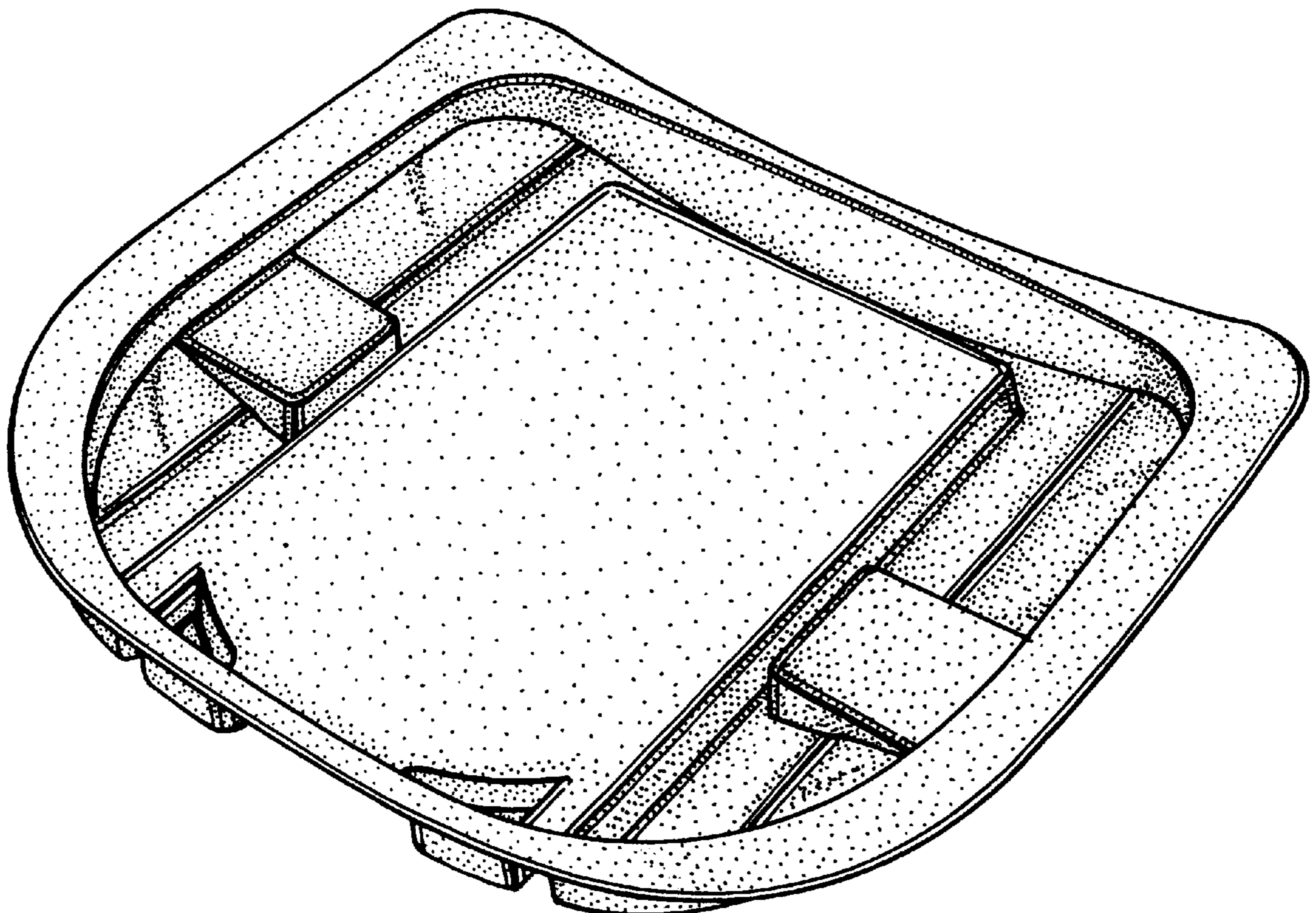
FIG. 1 is a perspective view of a chassis of seat for an office chair showing my new design;  
FIG. 2 is a front elevational view thereof;  
FIG. 3 is a rear elevational view thereof;  
FIG. 4 is a left side elevational view thereof;  
FIG. 5 is a right side elevational view thereof;  
FIG. 6 is a top plan view thereof; and,  
FIG. 7 is a bottom plan view thereof.

(56) **References Cited**

**U.S. PATENT DOCUMENTS**

D295,925 S \* 5/1988 Dredat-Neuhoff ..... D6/366  
4,953,913 A \* 9/1990 Graebe ..... 297/DIG. 2 X  
D312,002 S \* 11/1990 Carter et al. .... D6/366

**1 Claim, 3 Drawing Sheets**



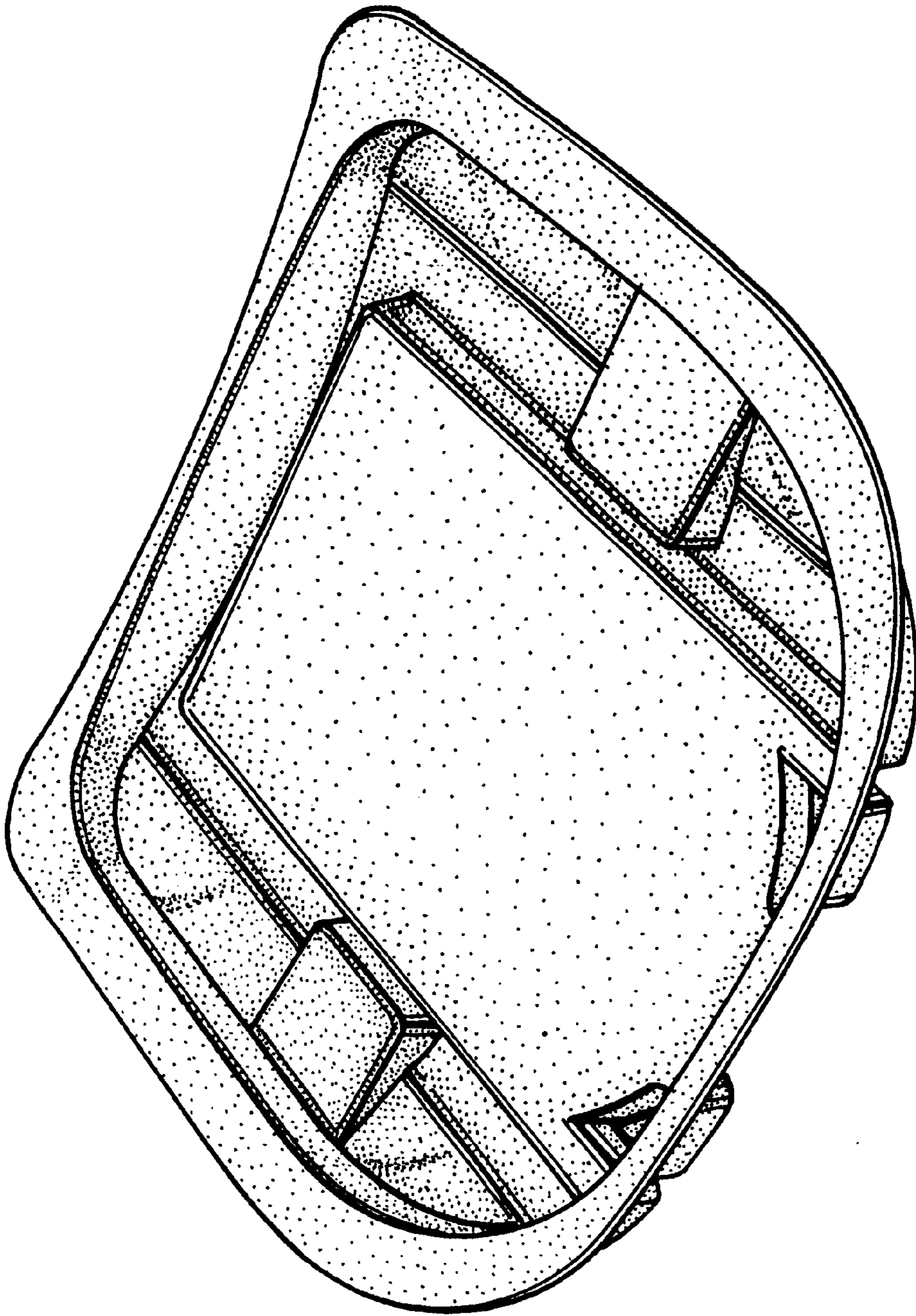


FIG. 1

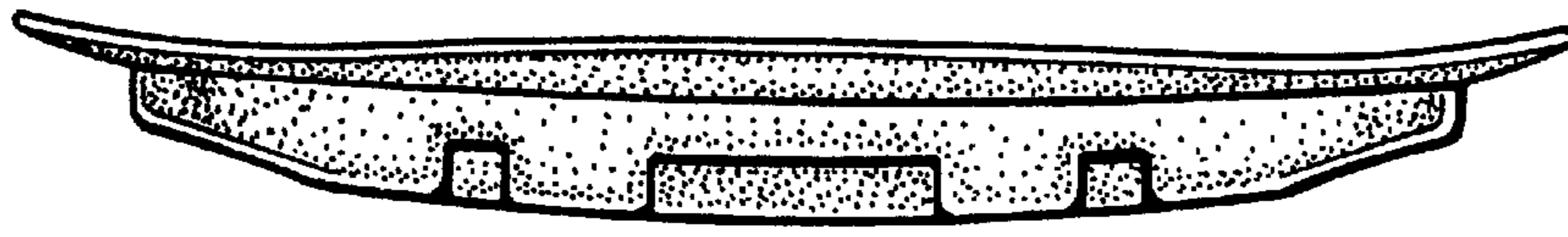


FIG. 2



FIG. 3

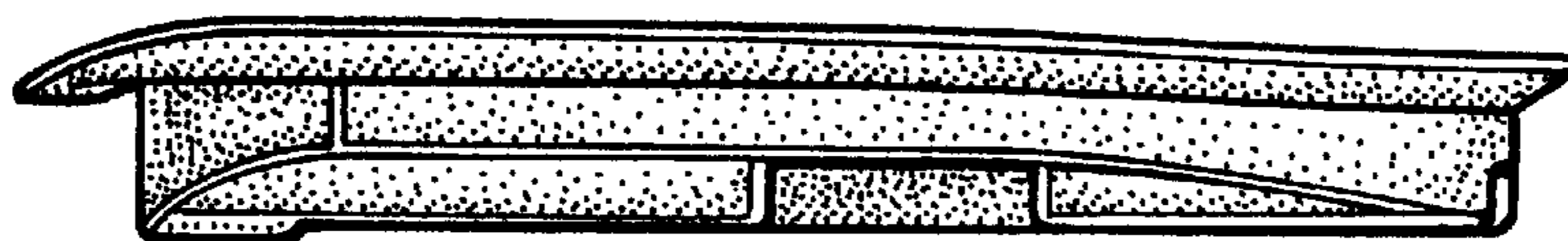


FIG. 4

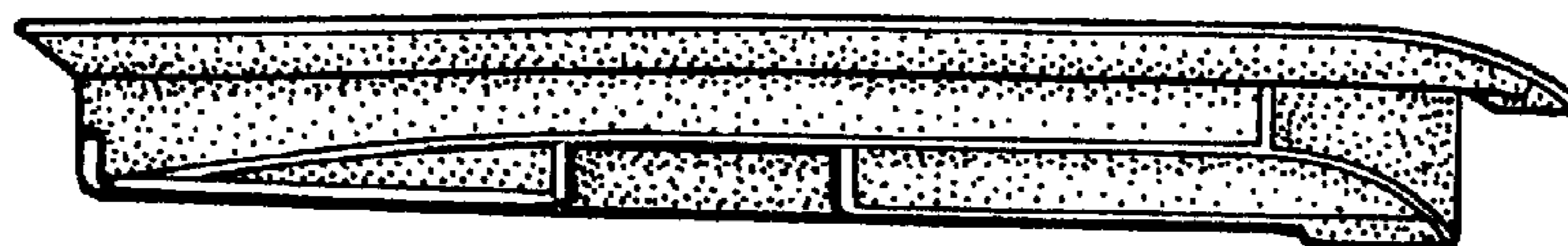


FIG. 5



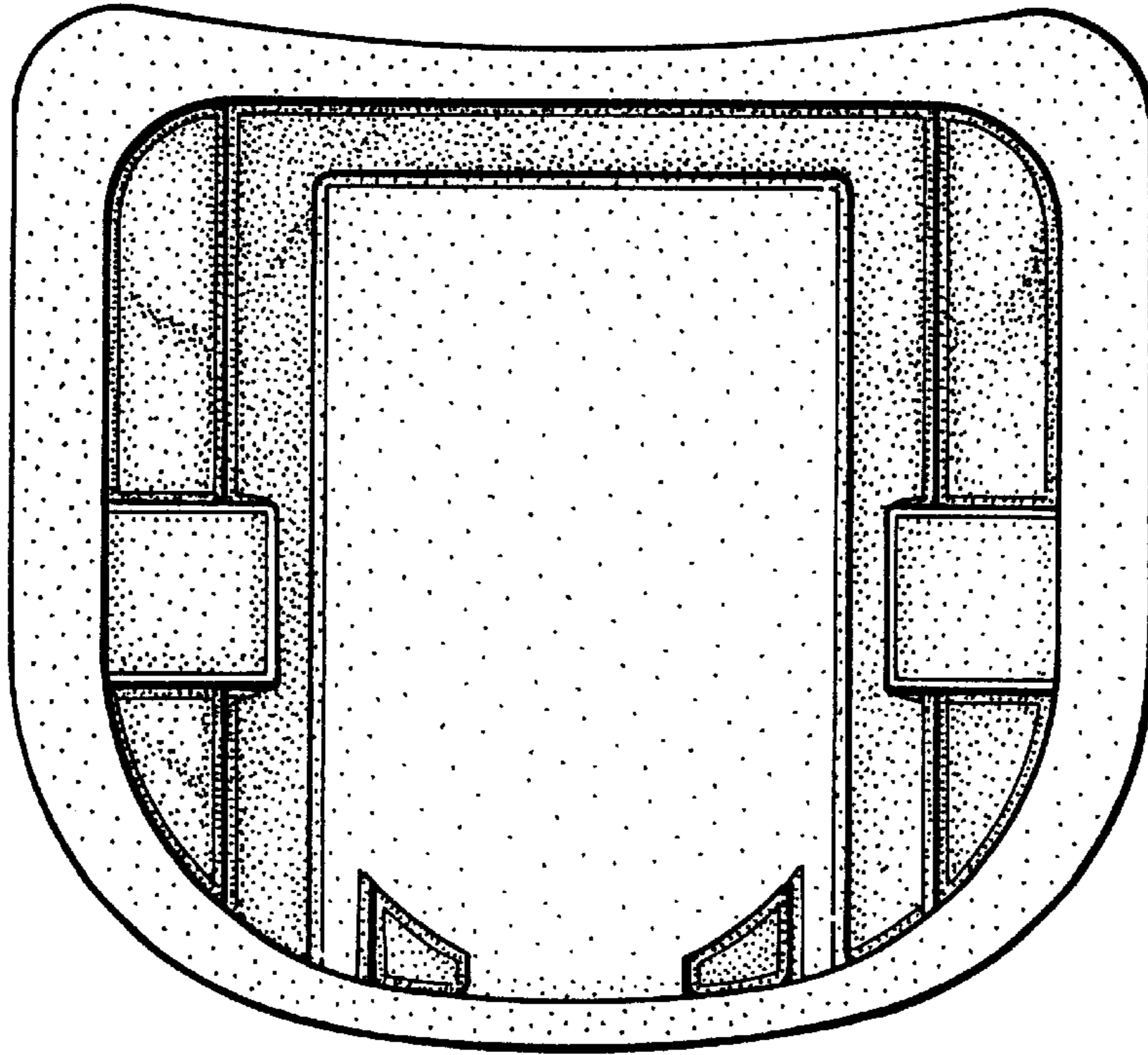


FIG. 6

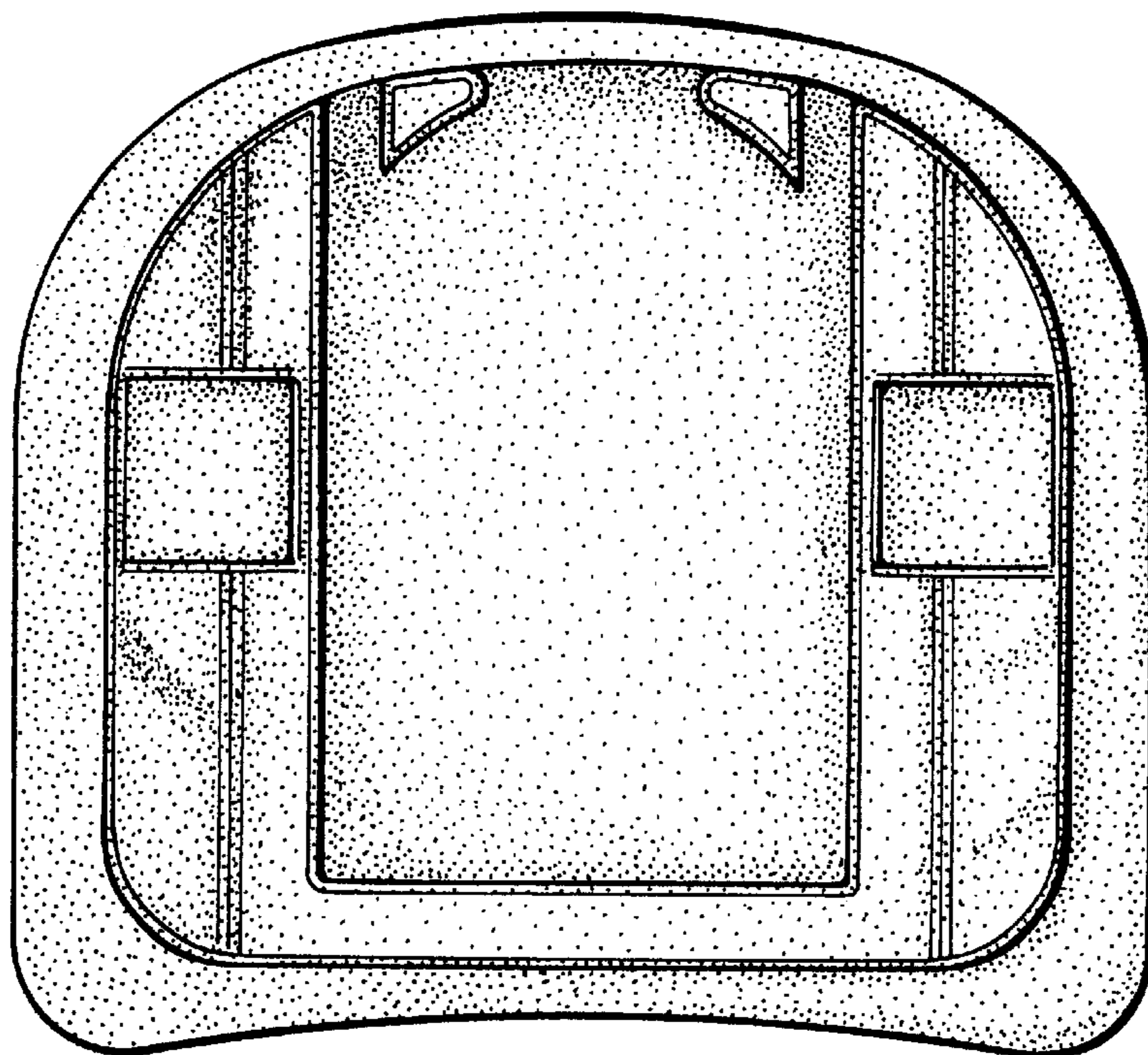


FIG. 7