



US00D463925S

(12) **United States Design Patent**
Visser

(10) **Patent No.:** **US D463,925 S**

(45) **Date of Patent:** **** Oct. 8, 2002**

(54) **SUPPORT STRUCTURE OF A CHAIR**

(74) *Attorney, Agent, or Firm*—Barnes & Thornburg

(75) **Inventor:** **Steven C. Visser**, West Lafayette, IN (US)

(57) **CLAIM**

The ornamental design for a support structure of a chair, as shown and described.

(73) **Assignee:** **Purdue Research Foundation**, West Lafayette, IN (US)

(**) **Term:** **14 Years**

DESCRIPTION

(21) **Appl. No.:** **29/148,941**

FIG. 1 is a left side elevational view of a support structure of a chair showing my new design;

(22) **Filed:** **Sep. 28, 2001**

FIG. 2 is a right side elevational view showing the design of the support structure of FIG. 1;

(51) **LOC (7) Cl.** **06-06**

(52) **U.S. Cl.** **D6/500; D6/363; D6/380**

(58) **Field of Search** D6/334, 335, 363, D6/374, 379, 380, 500, 501, 502; 297/445.1, 451.2

FIG. 3 is a back elevational view showing the design of the support structure of FIG. 1;

FIG. 4 is a front elevational view showing the design of the support structure of FIG. 1;

(56) **References Cited**

U.S. PATENT DOCUMENTS

D226,463 S	*	3/1973	Duern	D6/363
4,545,615 A	*	10/1985	Kane	297/445.1
D345,258 S	*	3/1994	Giacomuzzi et al.	D6/334
D446,960 S	*	8/2001	Lovegrove	D6/380

FIG. 5 is a top elevational view showing the design of the support structure of FIG. 1; and,

FIG. 6 is a perspective view showing the design of the support structure of FIG. 1.

OTHER PUBLICATIONS

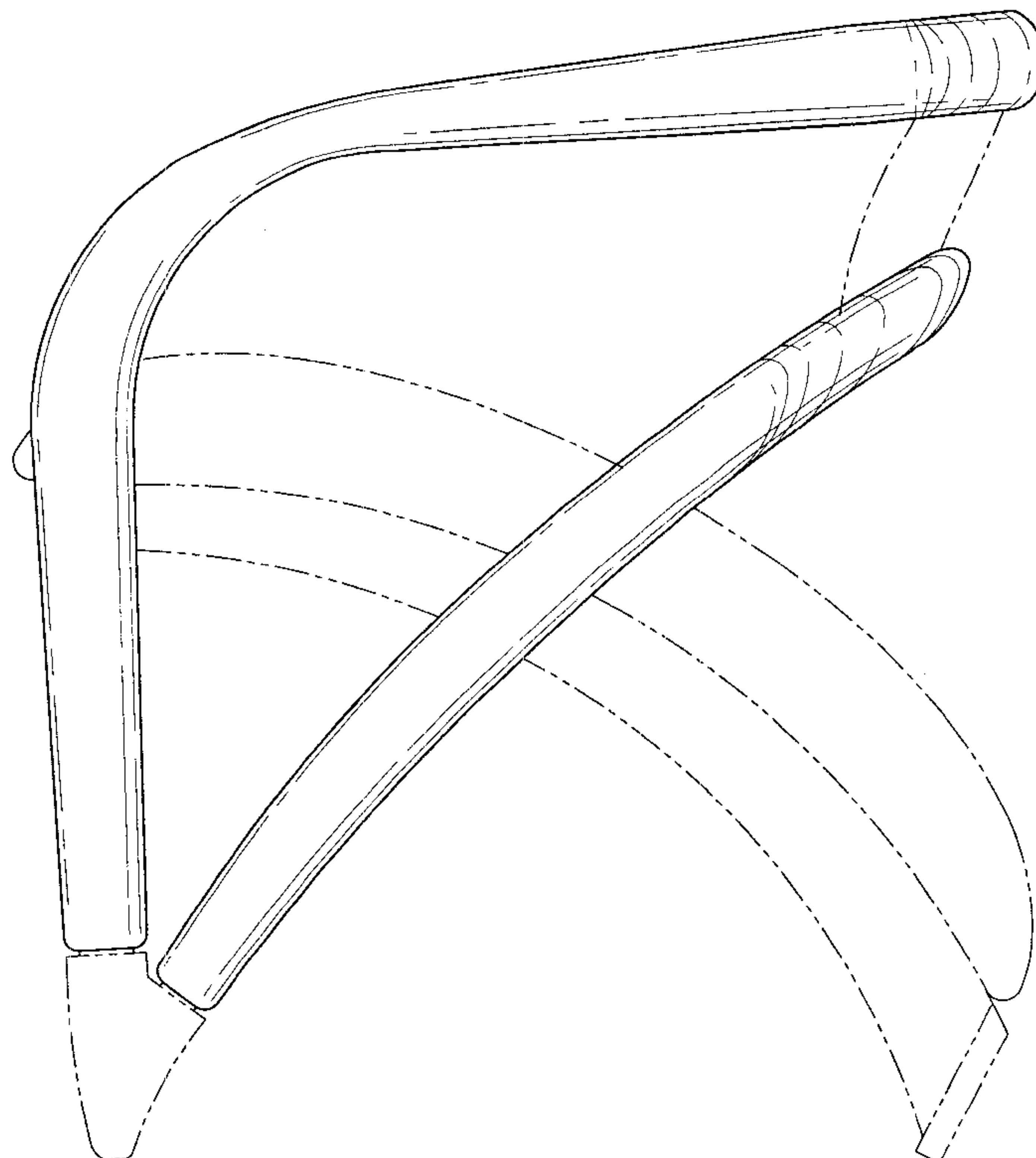
Interiors, p. 199, chair shown by Rudd, May 1989.*

* cited by examiner

In FIGS. 1–6, the broken lines showing the seat member, the feet members, and the back support member are for illustrative purposes only and form no part of the claimed design.

Primary Examiner—Gary D. Watson

1 Claim, 6 Drawing Sheets



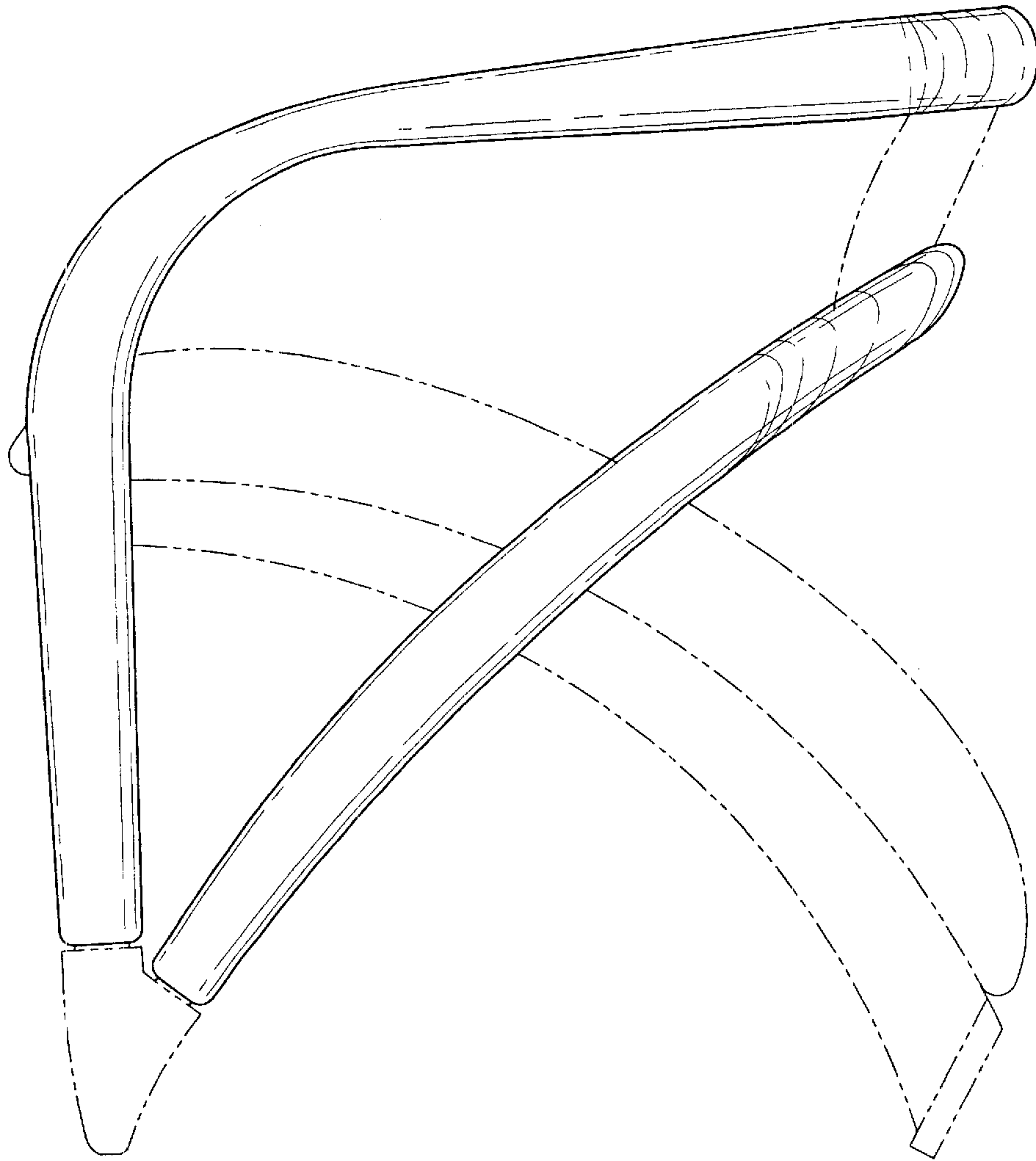


Fig. 1

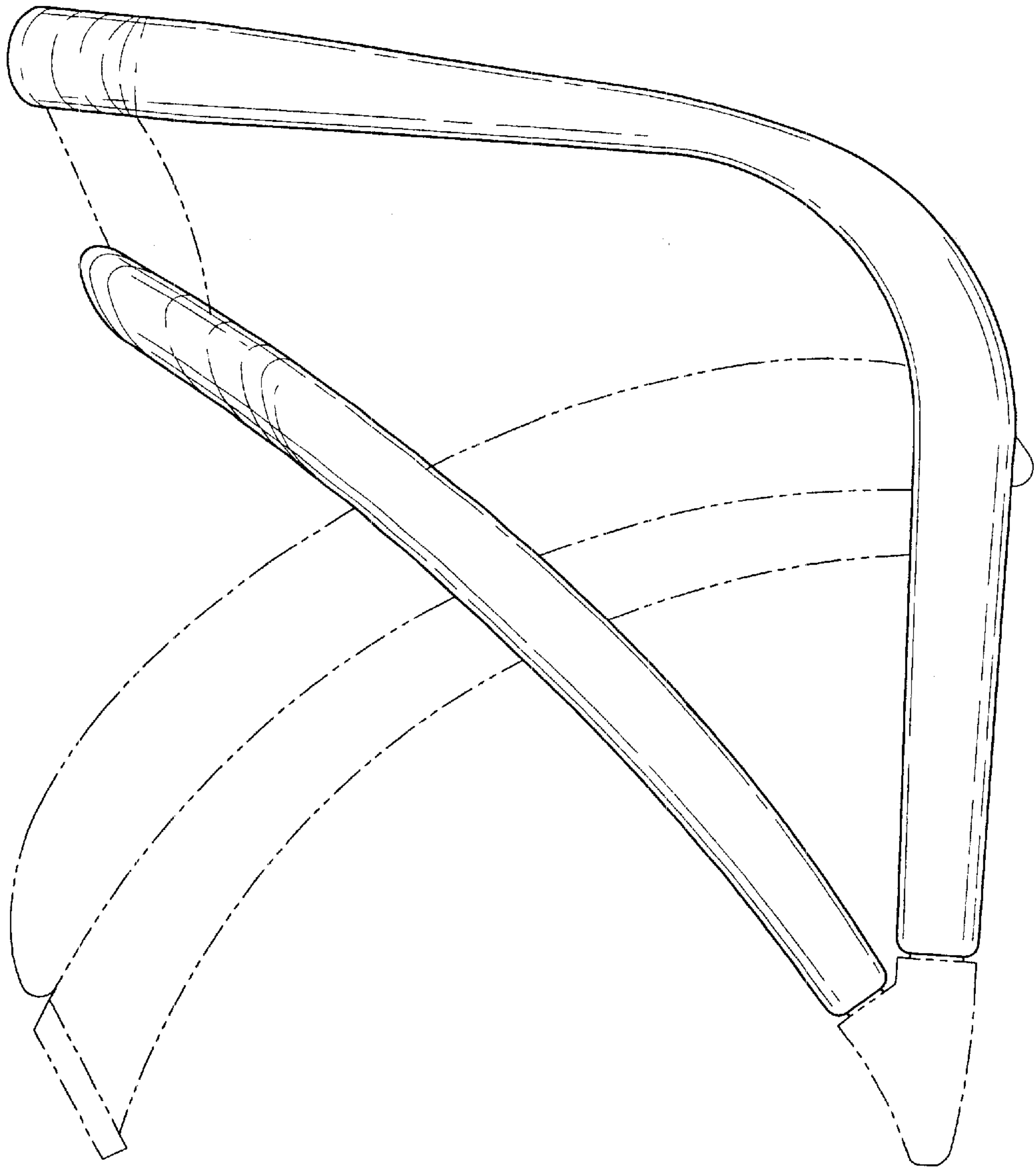


Fig. 2

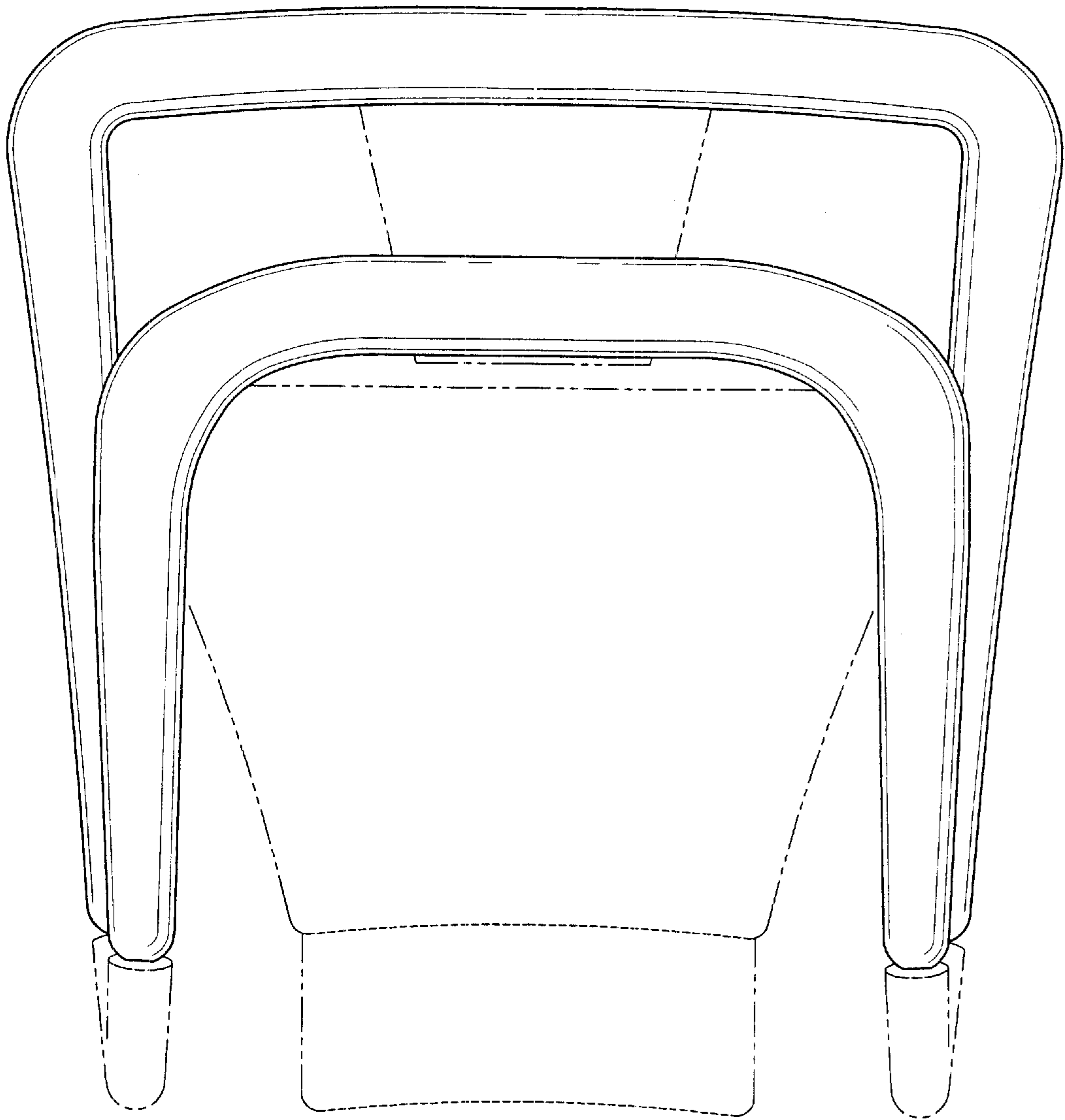


Fig. 3

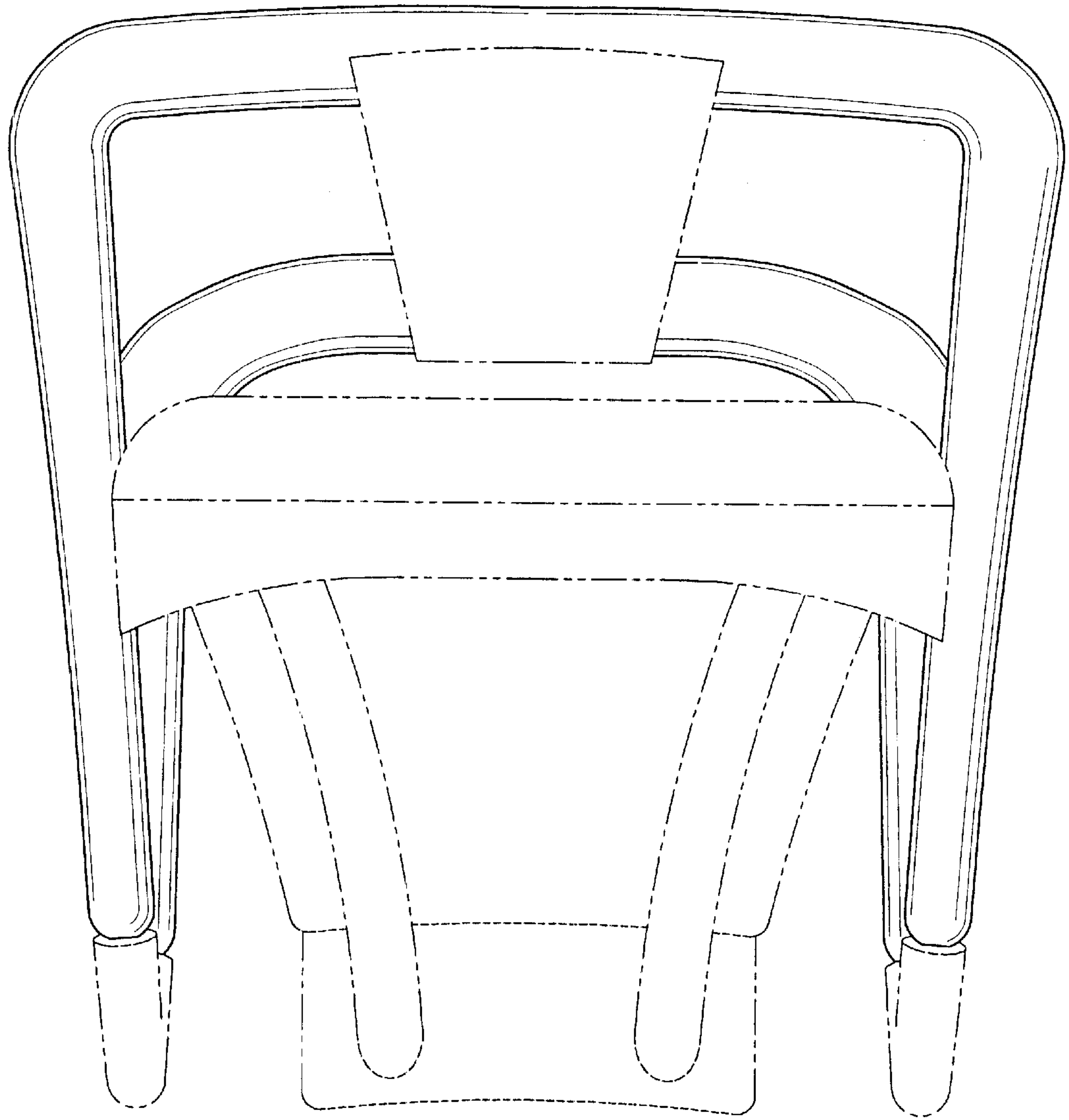


Fig. 4

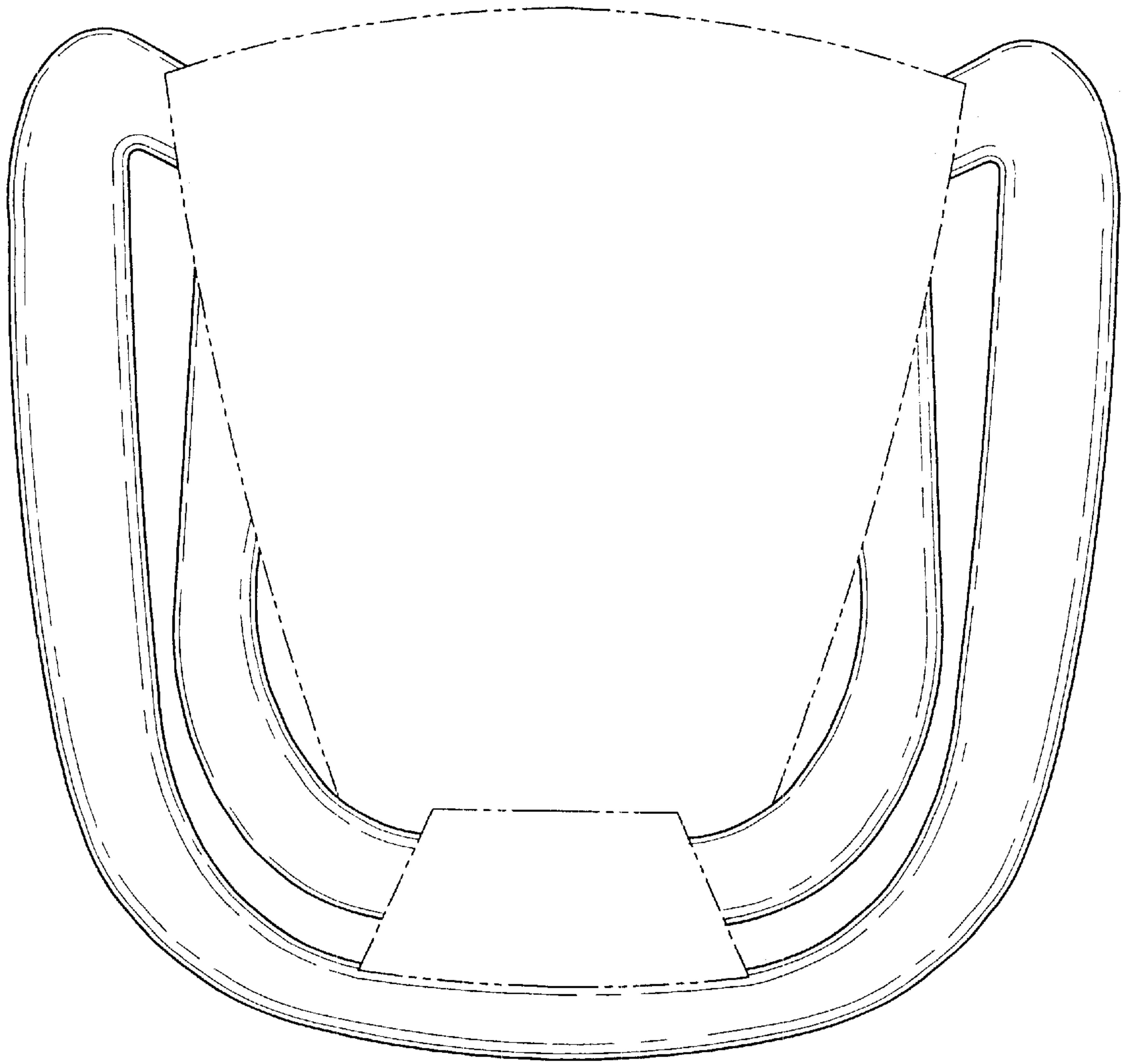


Fig. 5

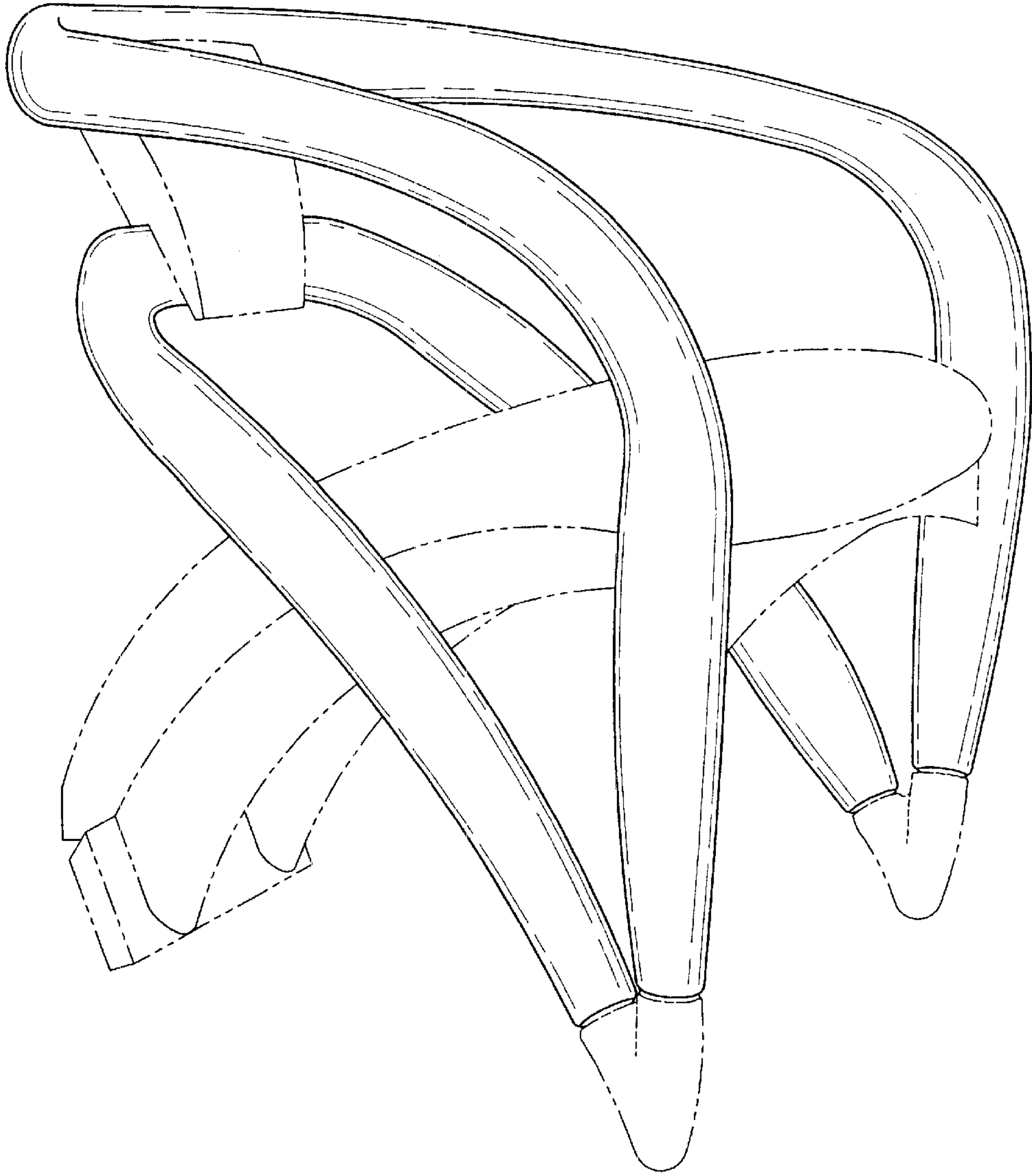


Fig. 6