



US00D463924S

(12) **United States Design Patent**
Kovac

(10) **Patent No.:** **US D463,924 S**

(45) **Date of Patent:** **** Oct. 8, 2002**

(54) **TABLE**

D312,540 S * 12/1990 Rosen D6/486
D329,555 S * 9/1992 Tenhove D6/486

(76) Inventor: **Jerry Michael Kovac**, 728 11th St.,
Unit A, Santa Monica, CA (US) 90402

* cited by examiner

(**) Term: **14 Years**

Primary Examiner—Janice E. Seeger
(74) *Attorney, Agent, or Firm*—Blakely, Sokoloff Taylor &
Zafman LLP

(21) Appl. No.: **29/146,146**

(22) Filed: **Aug. 3, 2001**

(57) **CLAIM**

(51) **LOC (7) Cl.** **06-03**

The ornamental design for a table, as shown and described.

(52) **U.S. Cl.** **D6/480**

DESCRIPTION

(58) **Field of Search** D6/480-489, 495-499;
108/151, 153.1, 156, 157.1, 161, 33, 38,
14, 25, 13; 248/188, 188.1, 188.8

FIG. 1 is a perspective view of a table of the invention.
FIG. 2 is a side view of the table of FIG. 1.
FIG. 3 is a top view of the table of FIG. 1; and,
FIG. 4 is a front view of the table of FIG. 1.

(56) **References Cited**

U.S. PATENT DOCUMENTS

2,655,387 A * 10/1953 Cramer D6/484

1 Claim, 2 Drawing Sheets

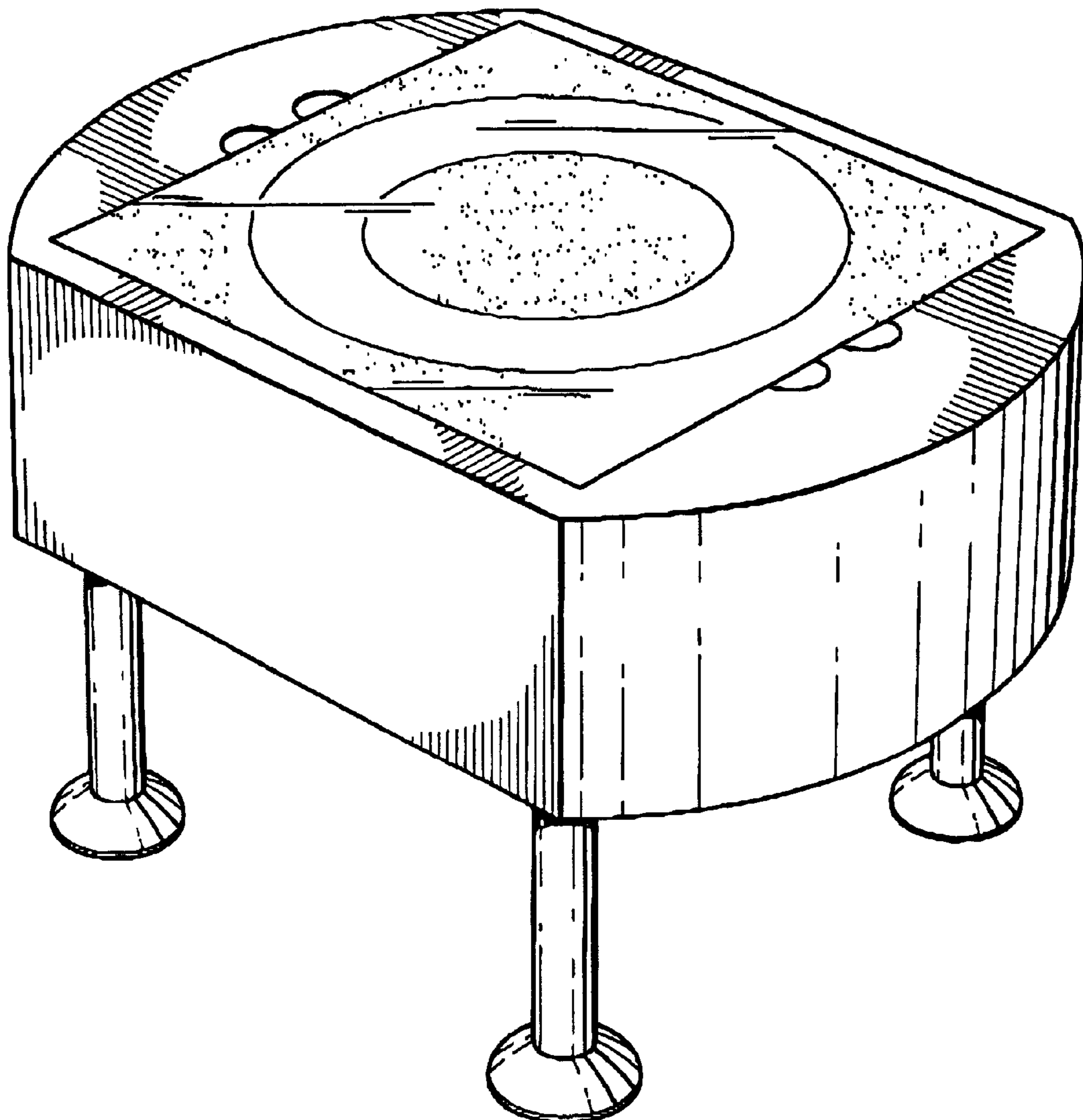


FIG. 1

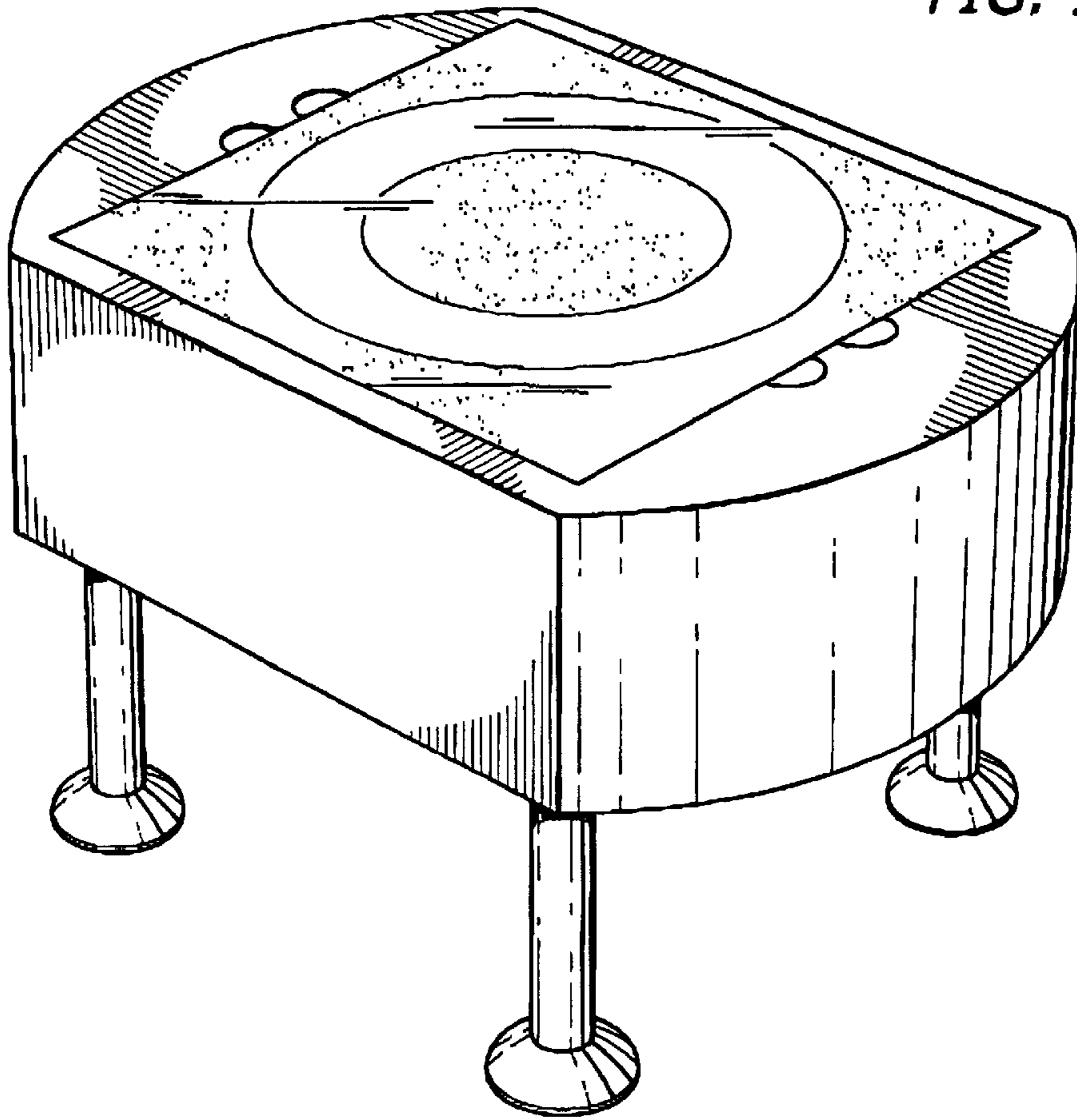
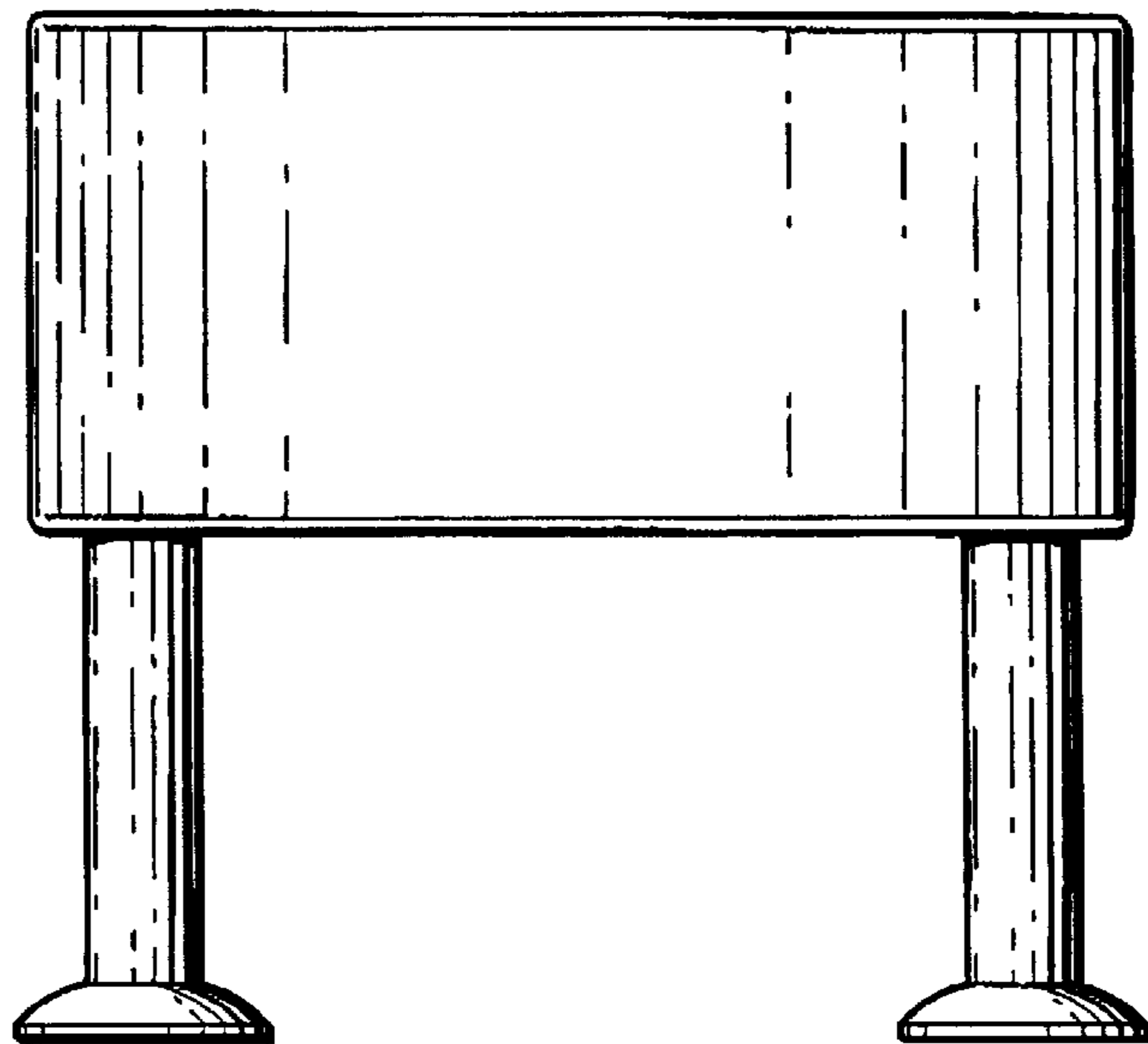


FIG. 2



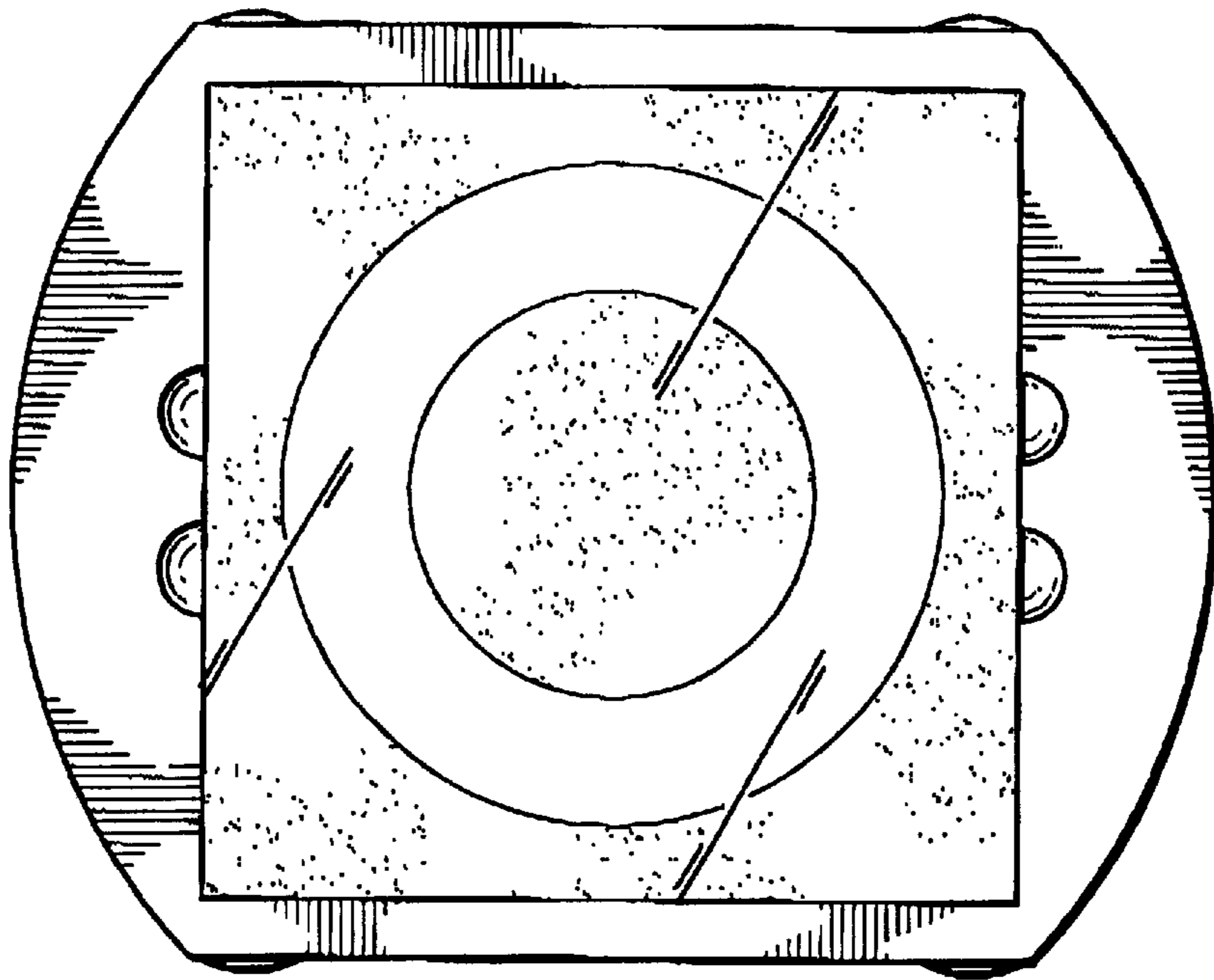


FIG. 3

FIG. 4

