



US00D463920S

(12) **United States Design Patent** (10) **Patent No.:** **US D463,920 S**
Pearce et al. (45) **Date of Patent:** **** Oct. 8, 2002**

(54) **CHAIR**

D414,349 S 9/1999 Jenkins et al.
D437,497 S * 2/2001 Bräuning D6/366

(75) Inventors: **Peter J. Pearce**, Woodland Hills, CA (US); **Bruce M. Smith**, Grand Rapids, MI (US); **Dale M. Groendal**, Jenison, MI (US)

OTHER PUBLICATIONS

WWW.aluminumbydesign.org/pages/catalog_html/57.htm containing information on the Toledo Chair, dated Jan. 16, 2001.

(73) Assignee: **Steelcase Development Corporation**, Caledonia, MI (US)

* cited by examiner

(**) Term: **14 Years**

Primary Examiner—Gary D. Watson

(21) Appl. No.: **29/144,860**

(74) *Attorney, Agent, or Firm*—Price Heneveld Cooper DeWitt & Litton

(22) Filed: **Jul. 11, 2001**

(57) **CLAIM**

The ornamental design for a chair, as shown and described.

Related U.S. Application Data

DESCRIPTION

(63) Continuation of application No. 29/123,873, filed on May 25, 2000.

FIG. 1 is a perspective view of a chair embodying the present invention;

(51) **LOC (7) Cl.** **06-01**

FIG. 2 is a front view of FIG. 1;

(52) **U.S. Cl.** **D6/366**

FIG. 3 is a right side view of FIG. 1, the left side view being a mirror image of the right side;

(58) **Field of Search** D6/334, 364, 365, D6/366, 370, 374, 500, 501, 502; 297/411.2, 411.29, 452.63

FIG. 4 is a rear view of FIG. 1; and

(56) **References Cited**

FIG. 5 is a top view of FIG. 1.

U.S. PATENT DOCUMENTS

FIG. 6 is a perspective view of another chair construction embodying the present invention;

D235,495 S * 6/1975 Laylon D6/374

FIG. 7 is a front view of FIG. 6;

D273,350 S * 4/1984 Cafiero D6/366

FIG. 8 is a right side view of FIG. 6, the left side being a mirror image of the right side;

D274,675 S * 7/1984 Diffrient D6/366

FIG. 9 is a rear view of FIG. 6; and,

4,660,887 A 4/1987 Fleming et al.

FIG. 10 is a top view of FIG. 6.

D362,973 S * 10/1995 Schultz D6/366

The broken lines which form the boundary between claimed and unclaimed subject matter as well as the broken lines showing environment form no part of the claimed design

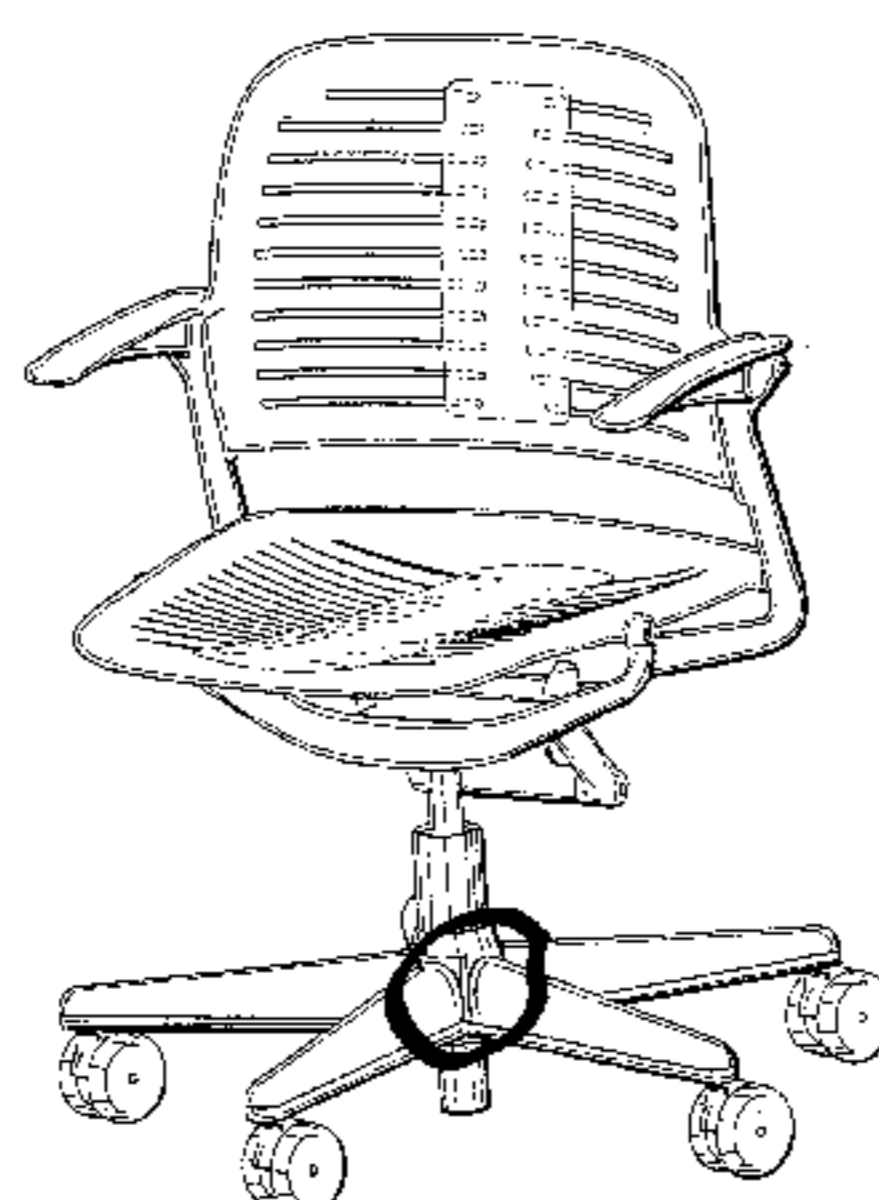
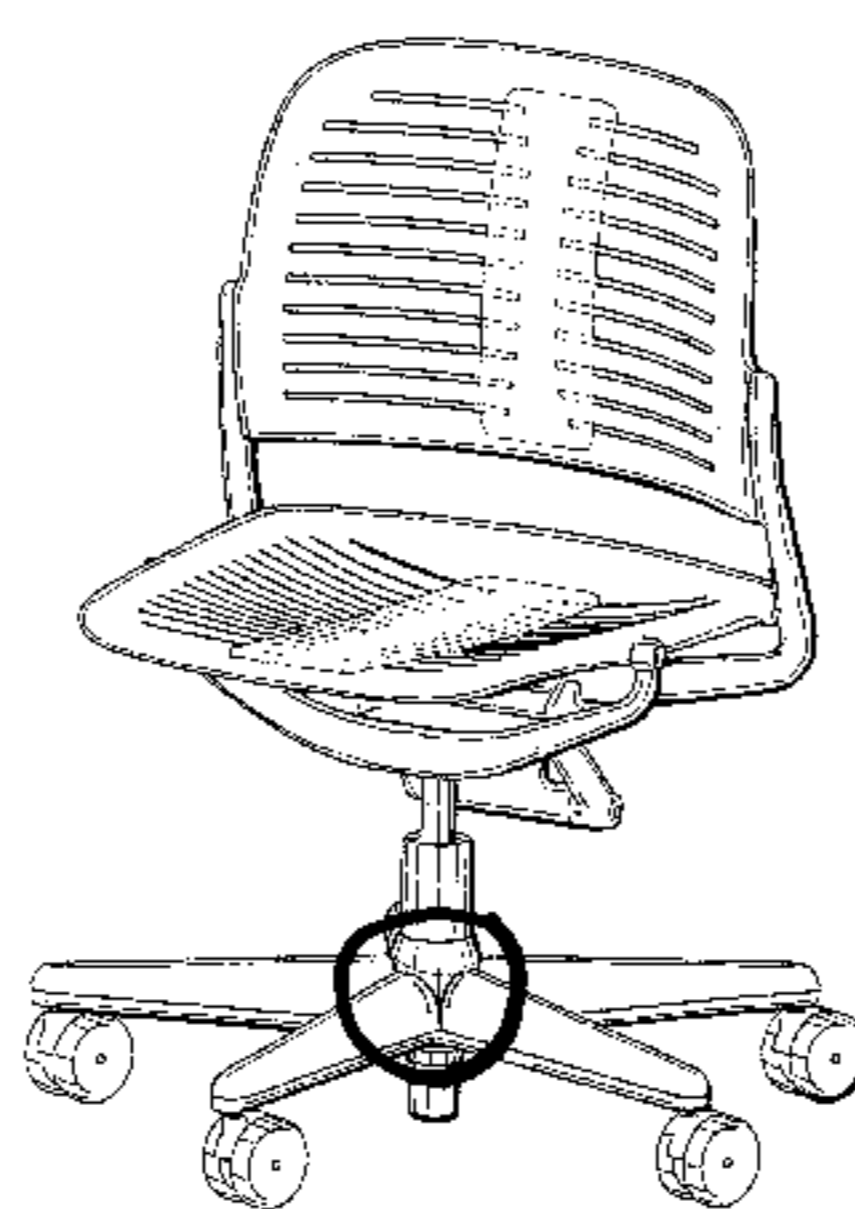
5,630,647 A 5/1997 Heidmann et al.

5,871,258 A 2/1999 Battey et al.

D410,799 S * 6/1999 Meda D6/366

D411,928 S * 7/1999 Ritch et al. D6/500

1 Claim, 5 Drawing Sheets



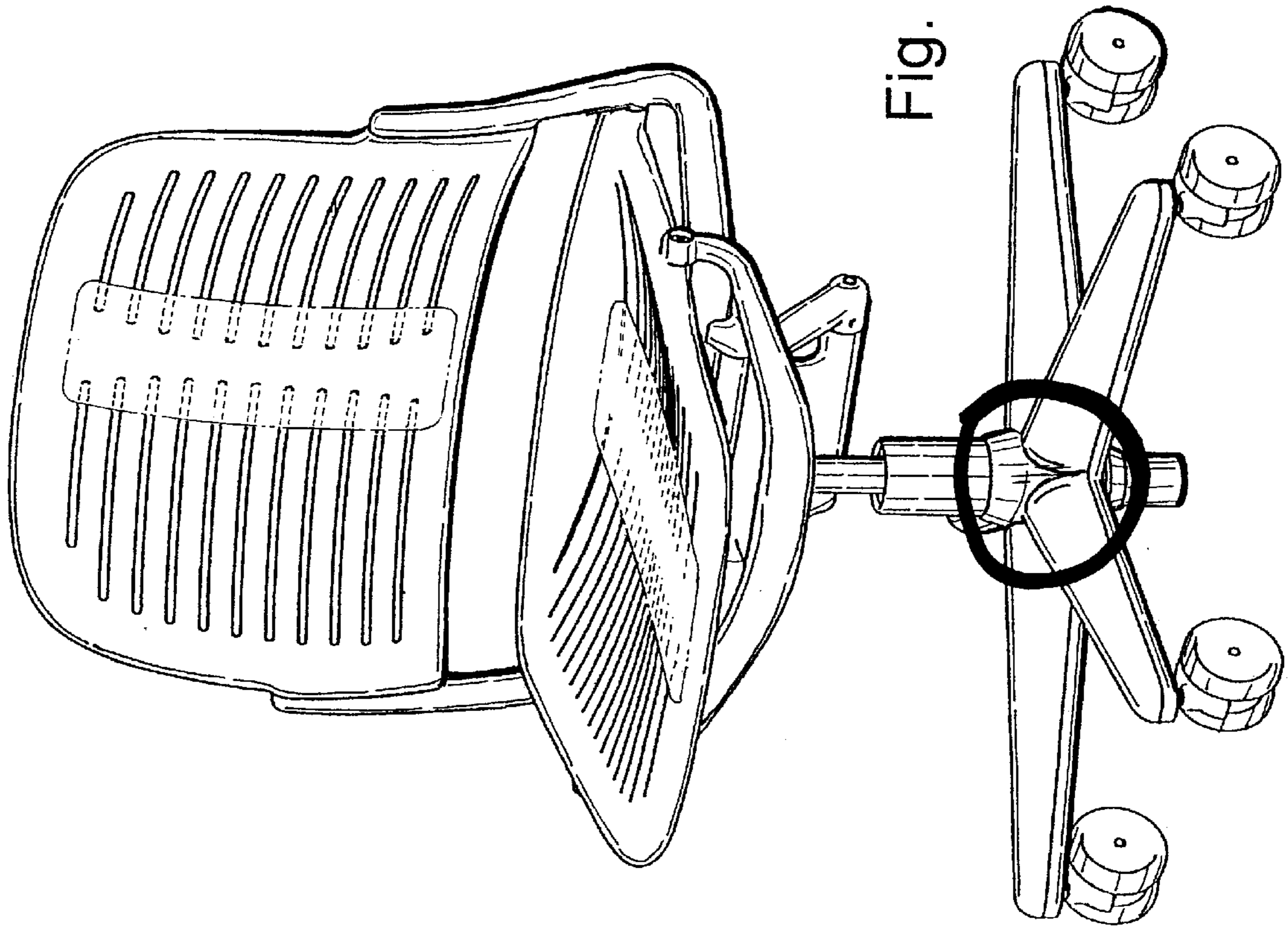


Fig. 1

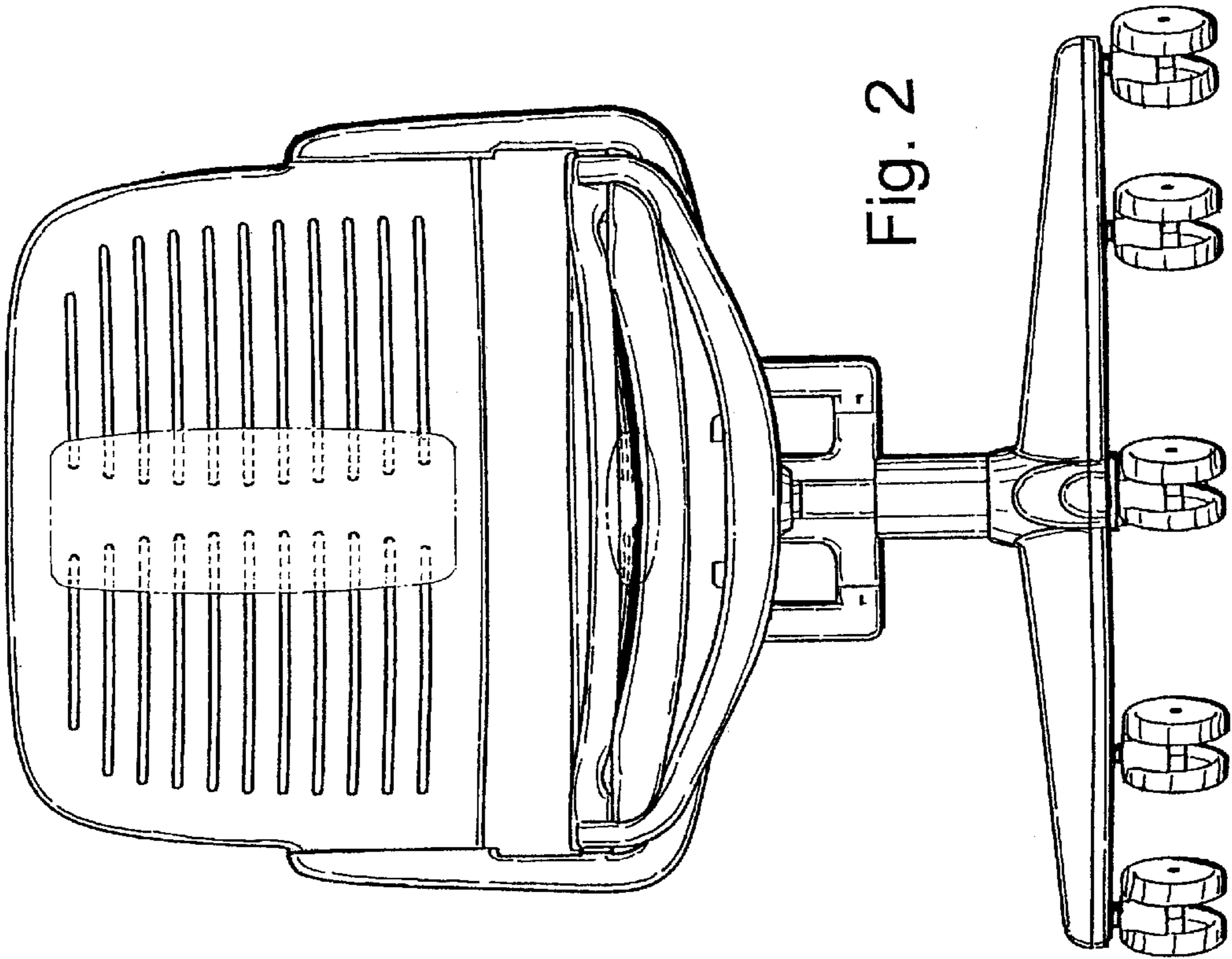
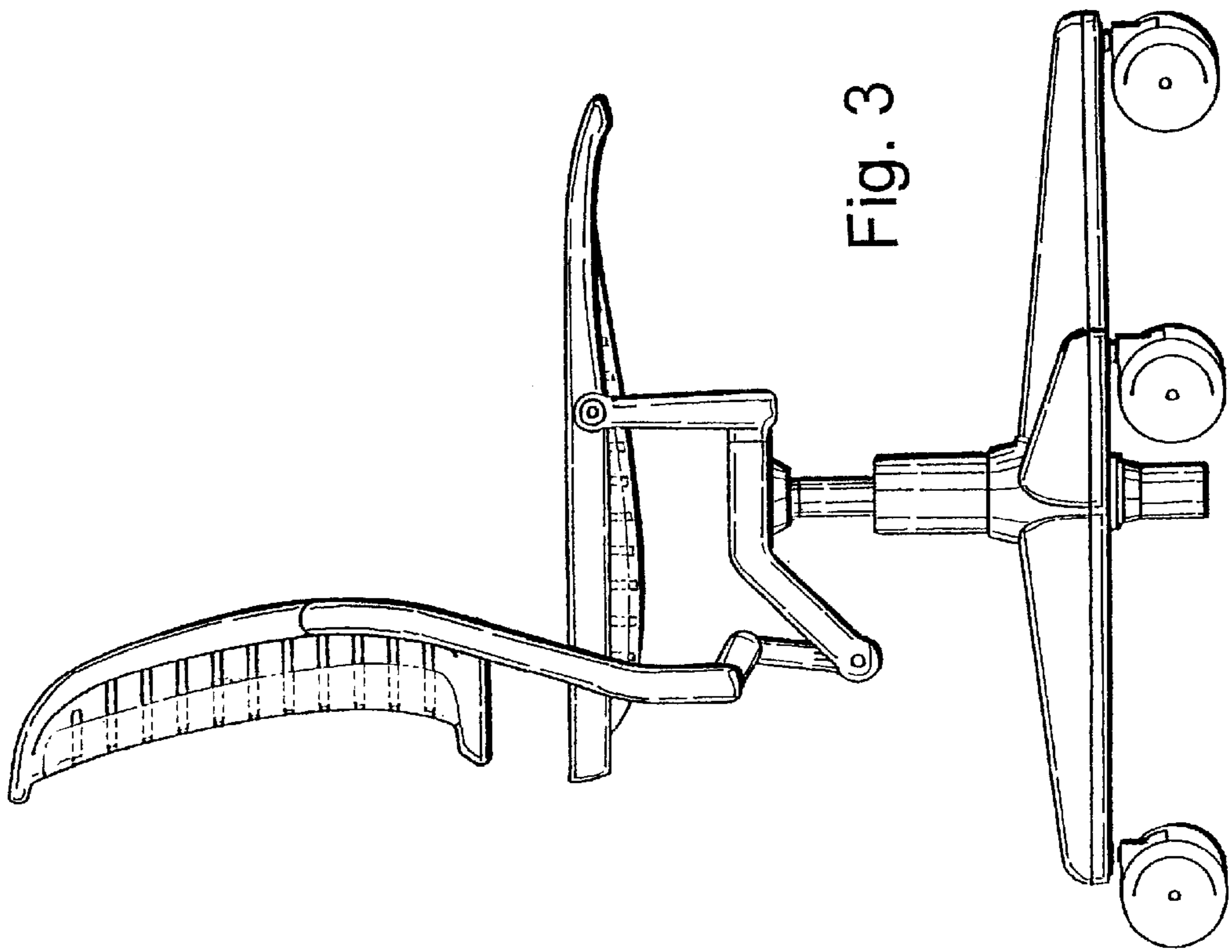
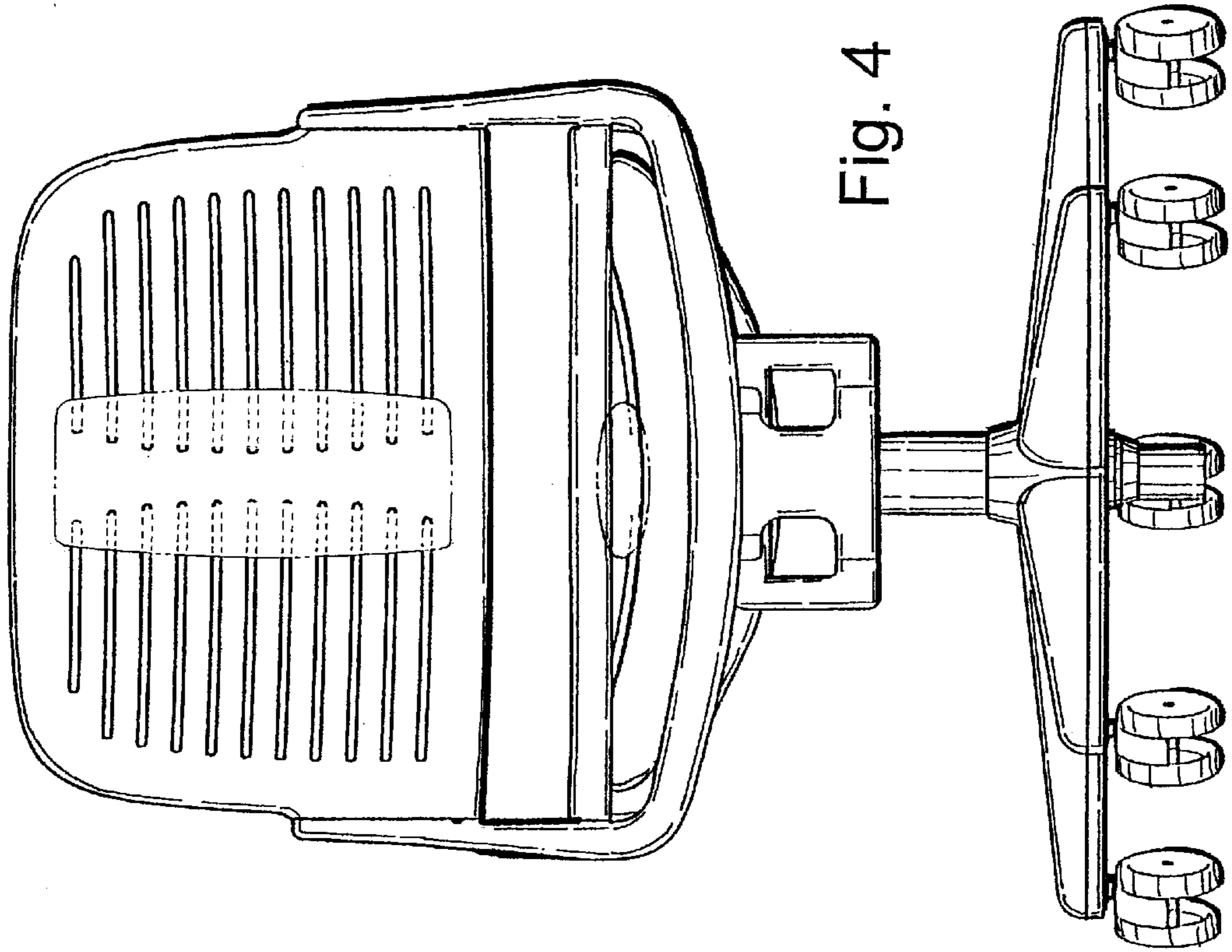
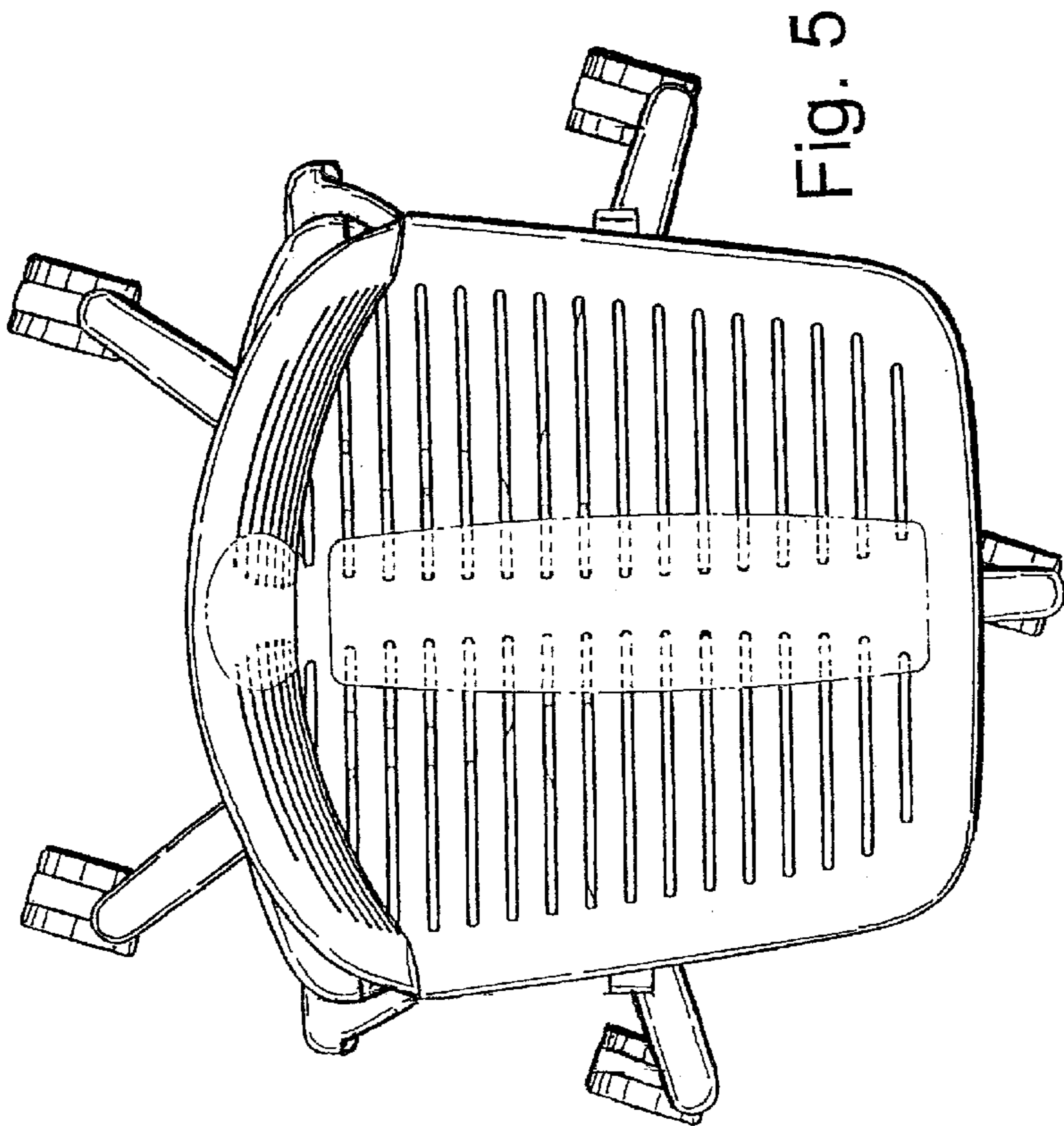
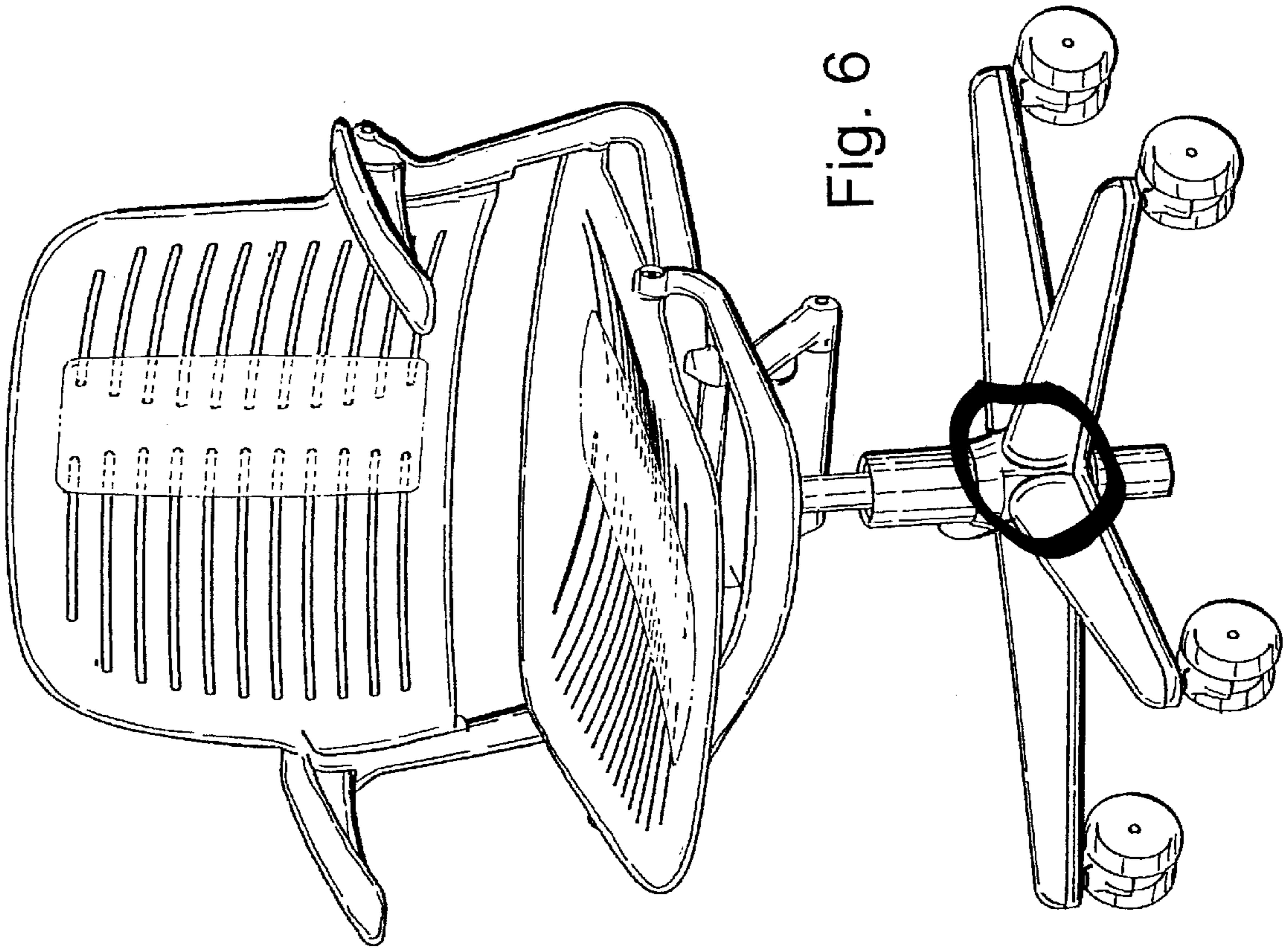


Fig. 2





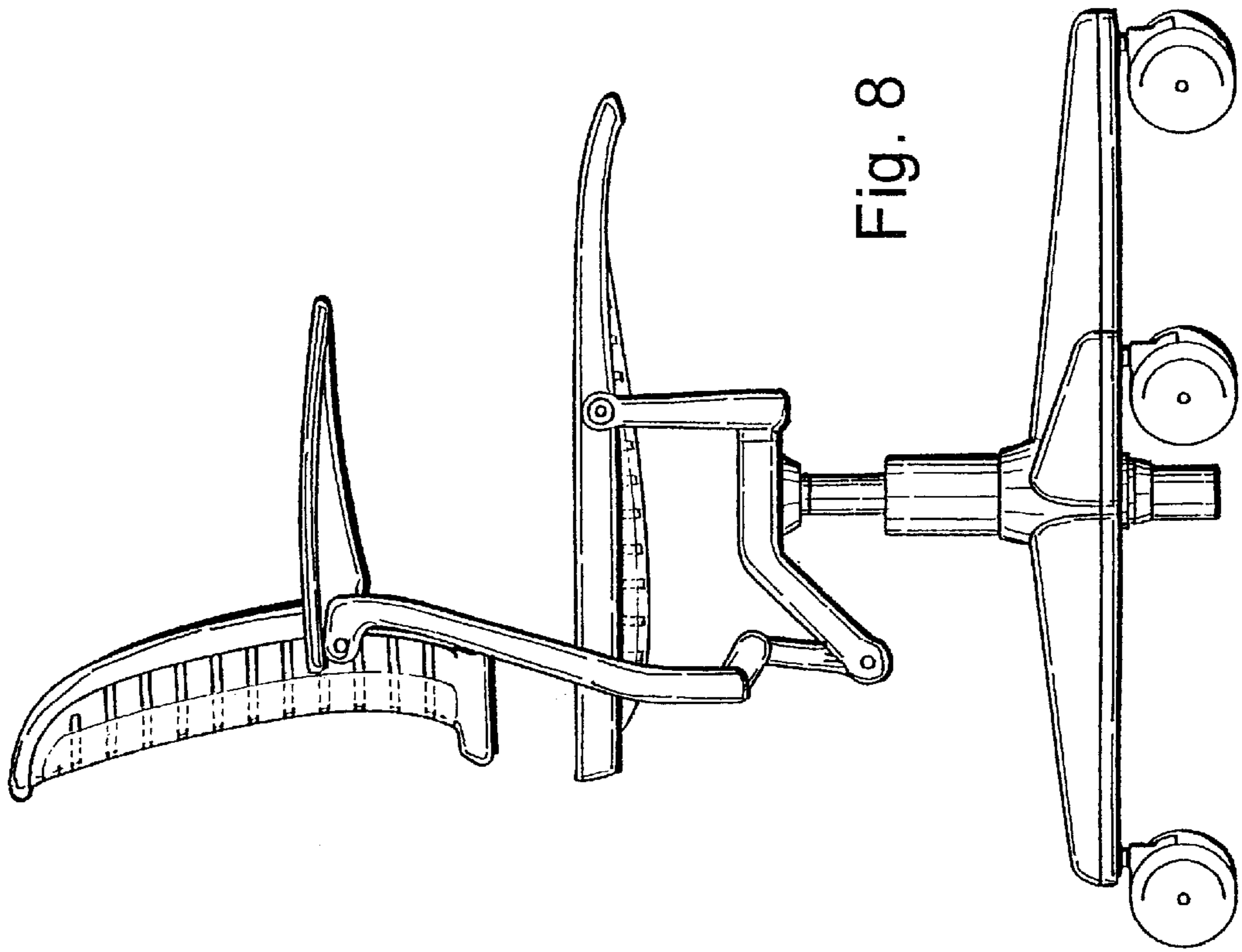


Fig. 8

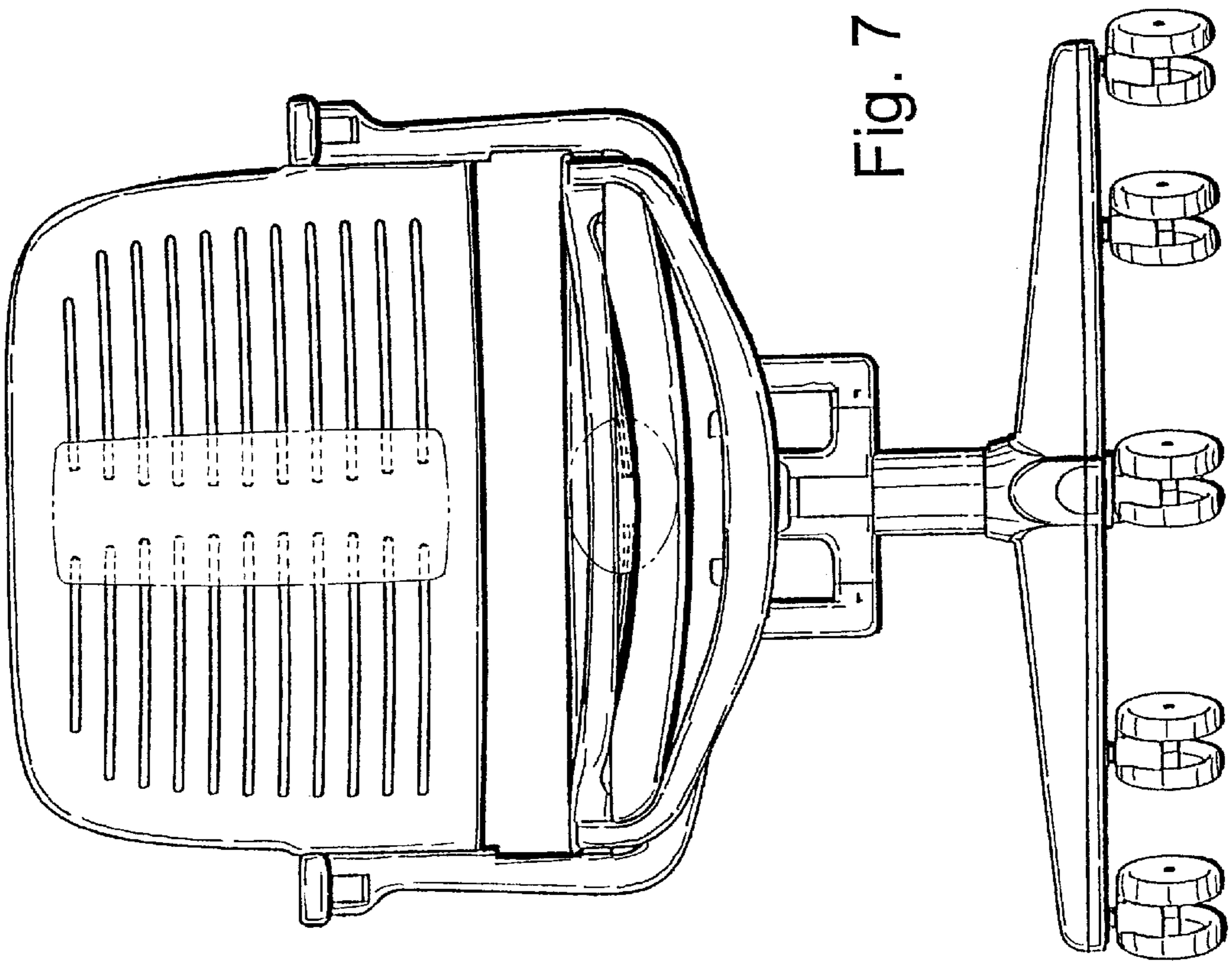


Fig. 7

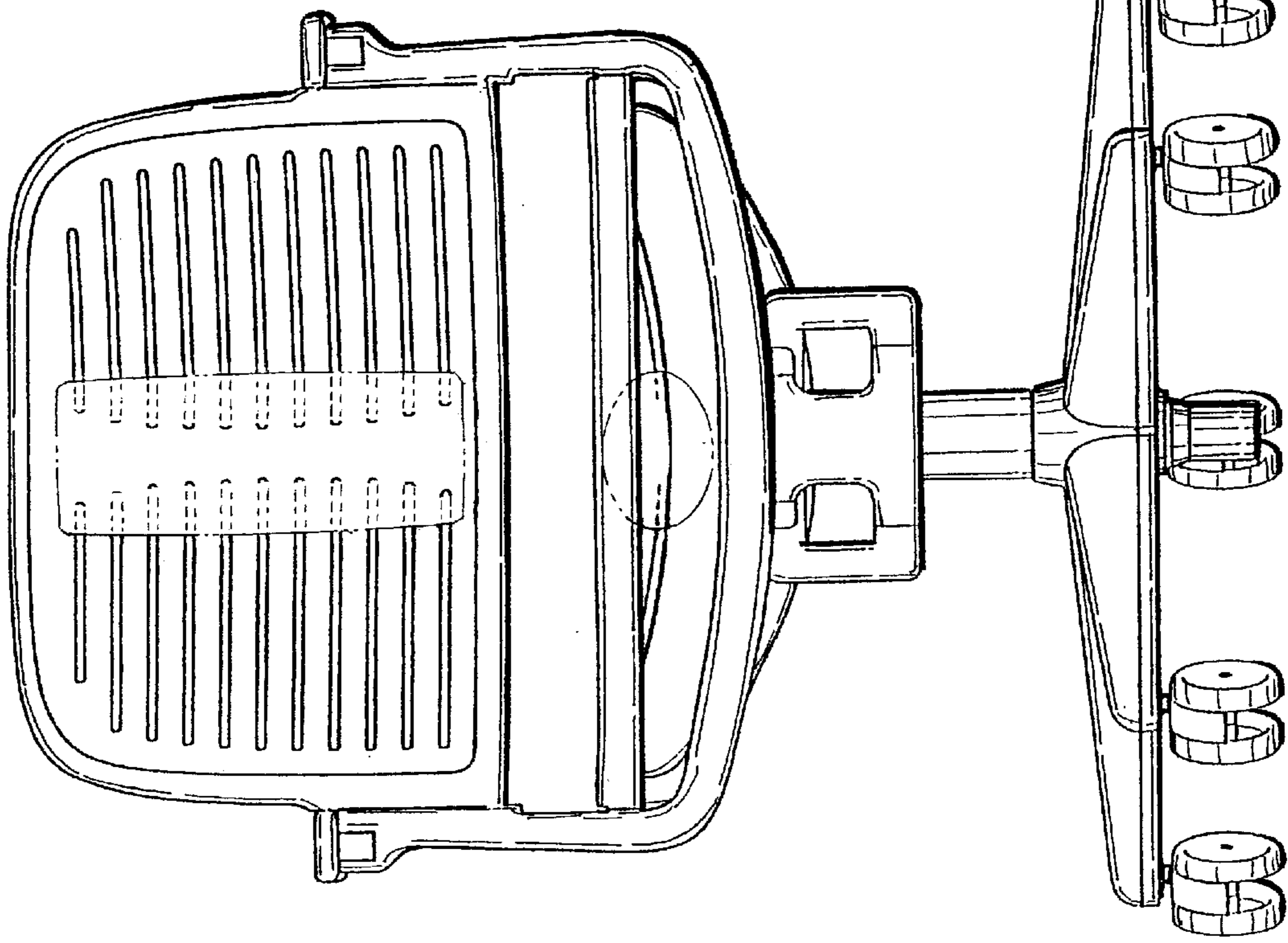


Fig. 9

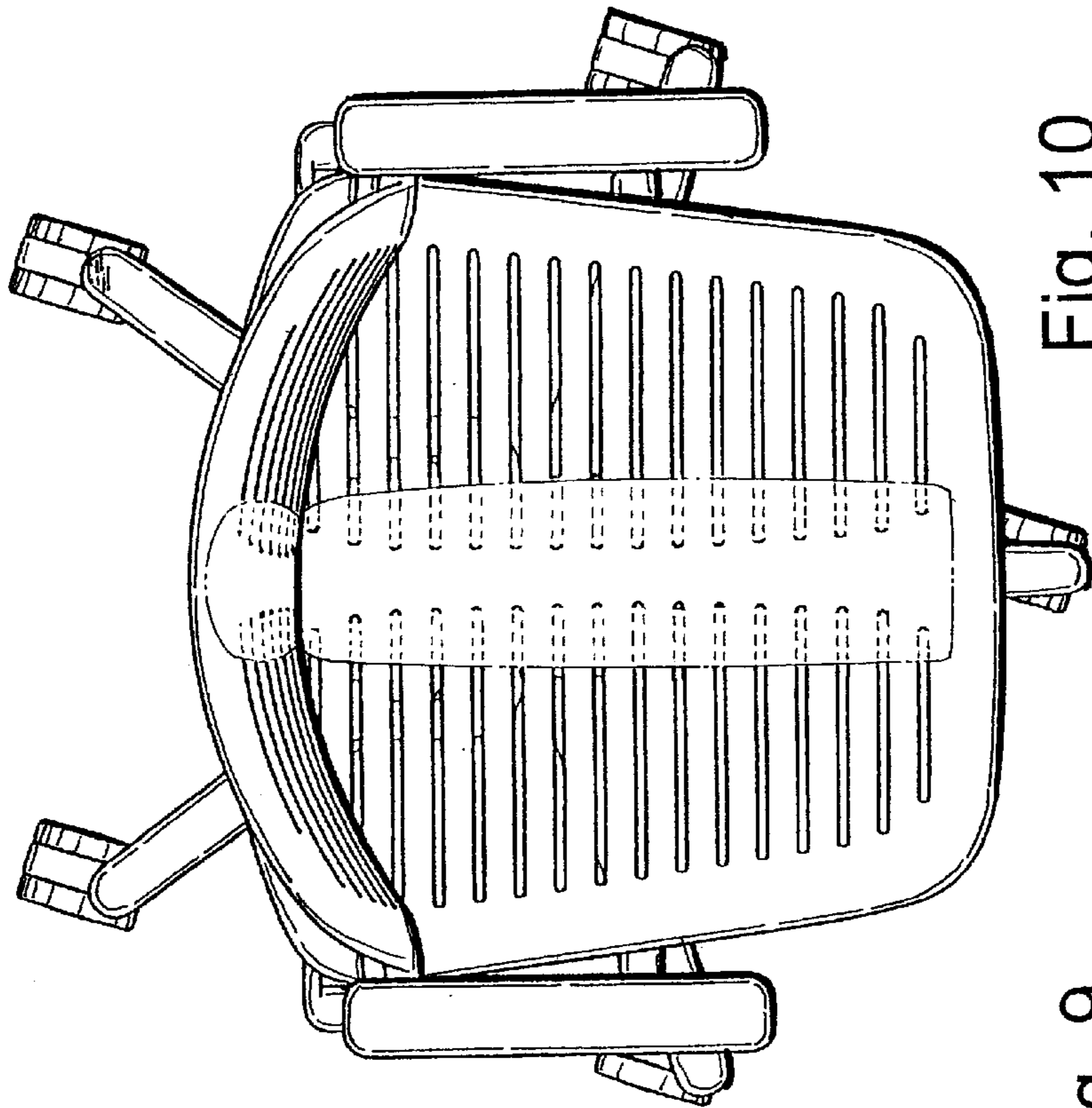


Fig. 10

UNITED STATES PATENT AND TRADEMARK OFFICE
CERTIFICATE OF CORRECTION

PATENT NO. : Des. 463,920 S
DATED : October 8, 2002
INVENTOR(S) : Peter J. Pearce et al.

Page 1 of 3

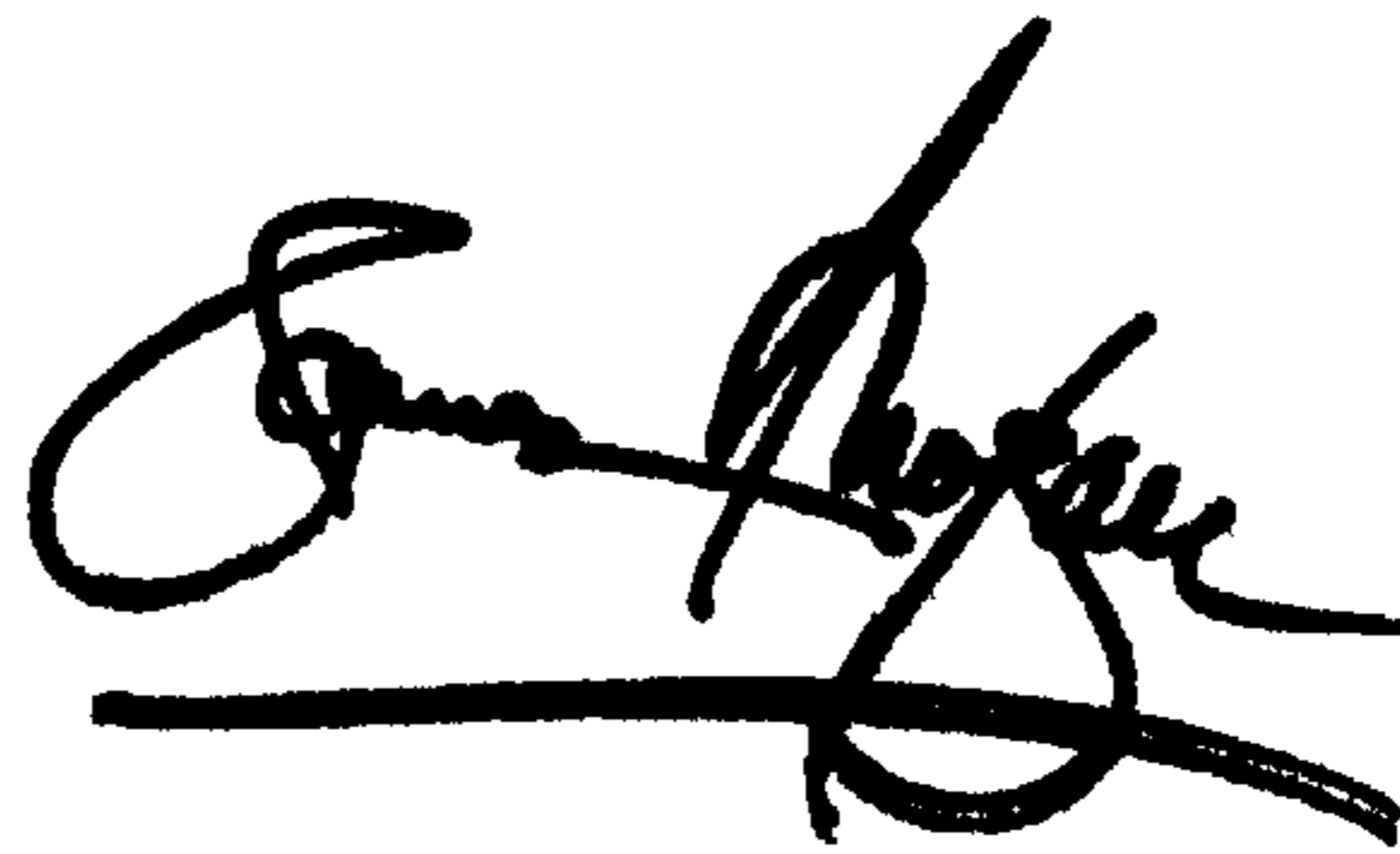
It is certified that error appears in the above-identified patent and that said Letters Patent is hereby corrected as shown below:

Drawings,

Page 1 of 5, of the drawings, Fig. 1; delete extraneous markings (i.e. circle) from Fig. 1;
Page 3 of 5, of the drawings, Fig. 6; delete extraneous markings (i.e. circle) from Fig. 6.

Signed and Sealed this

Seventh Day of January, 2003

A handwritten signature in black ink, appearing to read "James E. Rogan", with a horizontal line drawn underneath it.

JAMES E. ROGAN
Director of the United States Patent and Trademark Office

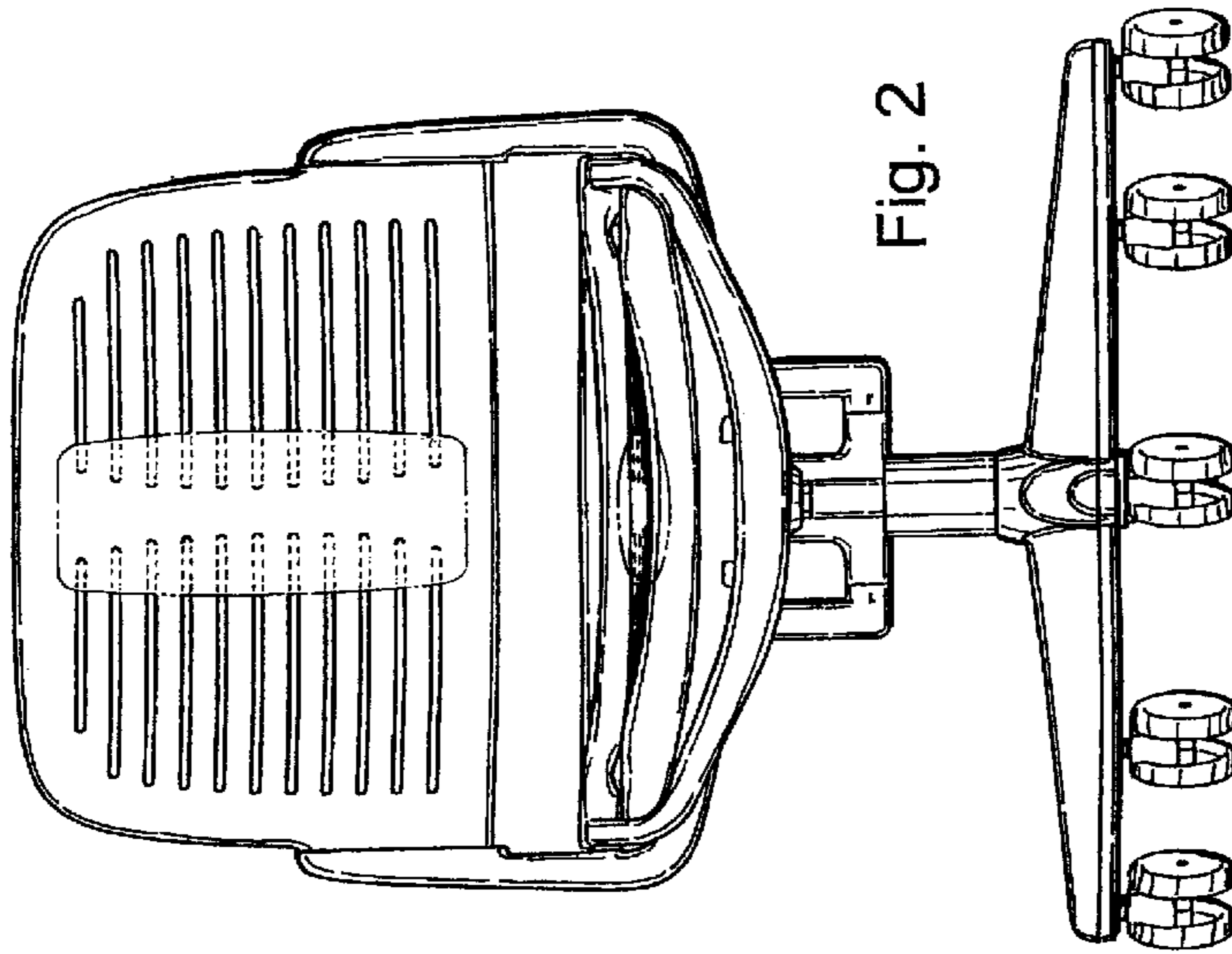


Fig. 2

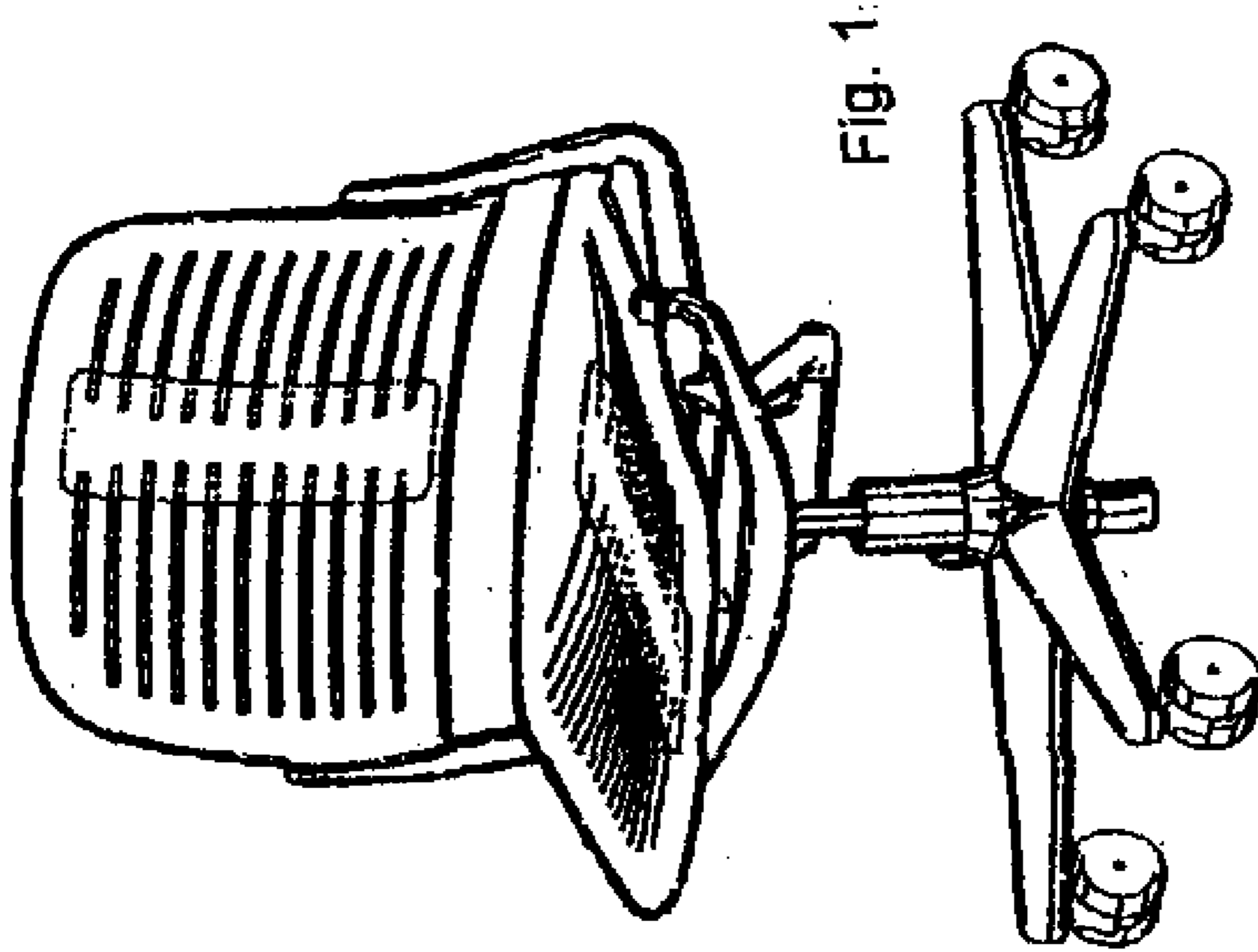


Fig. 1

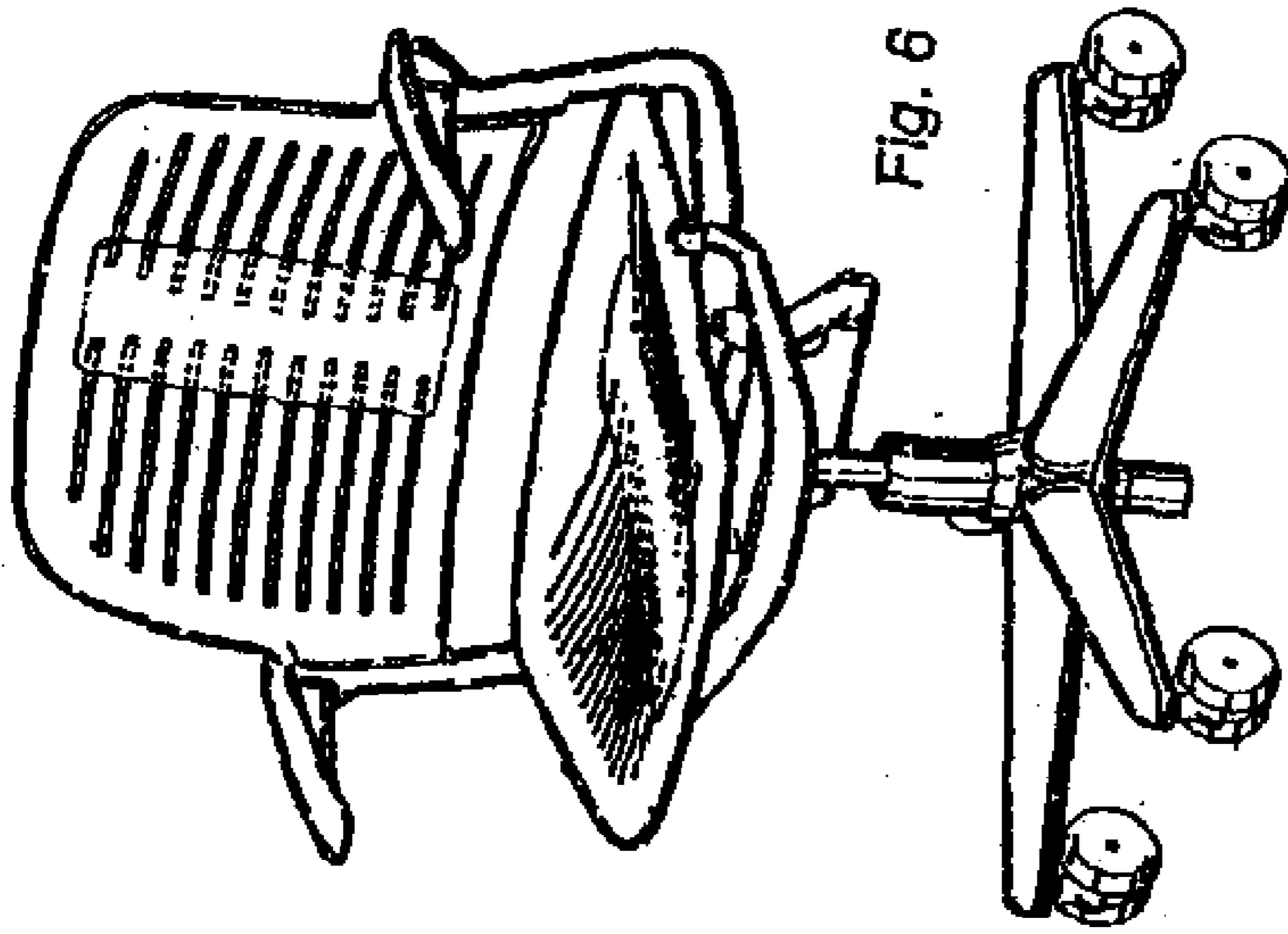


Fig. 6

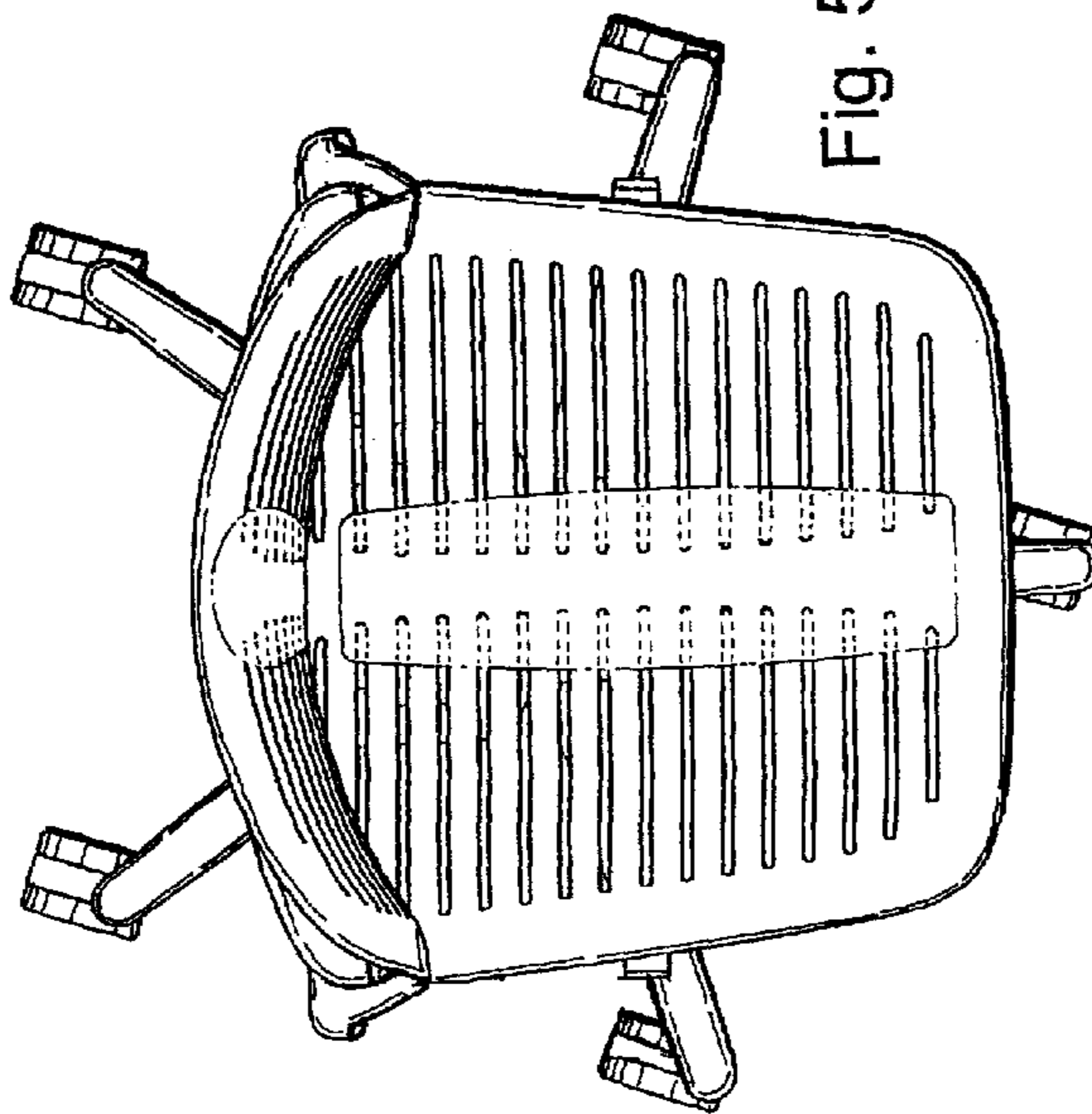


Fig. 5

UNITED STATES PATENT AND TRADEMARK OFFICE
CERTIFICATE OF CORRECTION

PATENT NO. : Des. 463,920 S
DATED : October 8, 2002
INVENTOR(S) : Peter J. Pearce et al.

Page 1 of 3

It is certified that error appears in the above-identified patent and that said Letters Patent is hereby corrected as shown below:

Drawings,

Page 1 of 5, of the drawings, Fig. 1; delete extraneous markings (i.e. circle) from Fig. 1 as shown on the attached page;

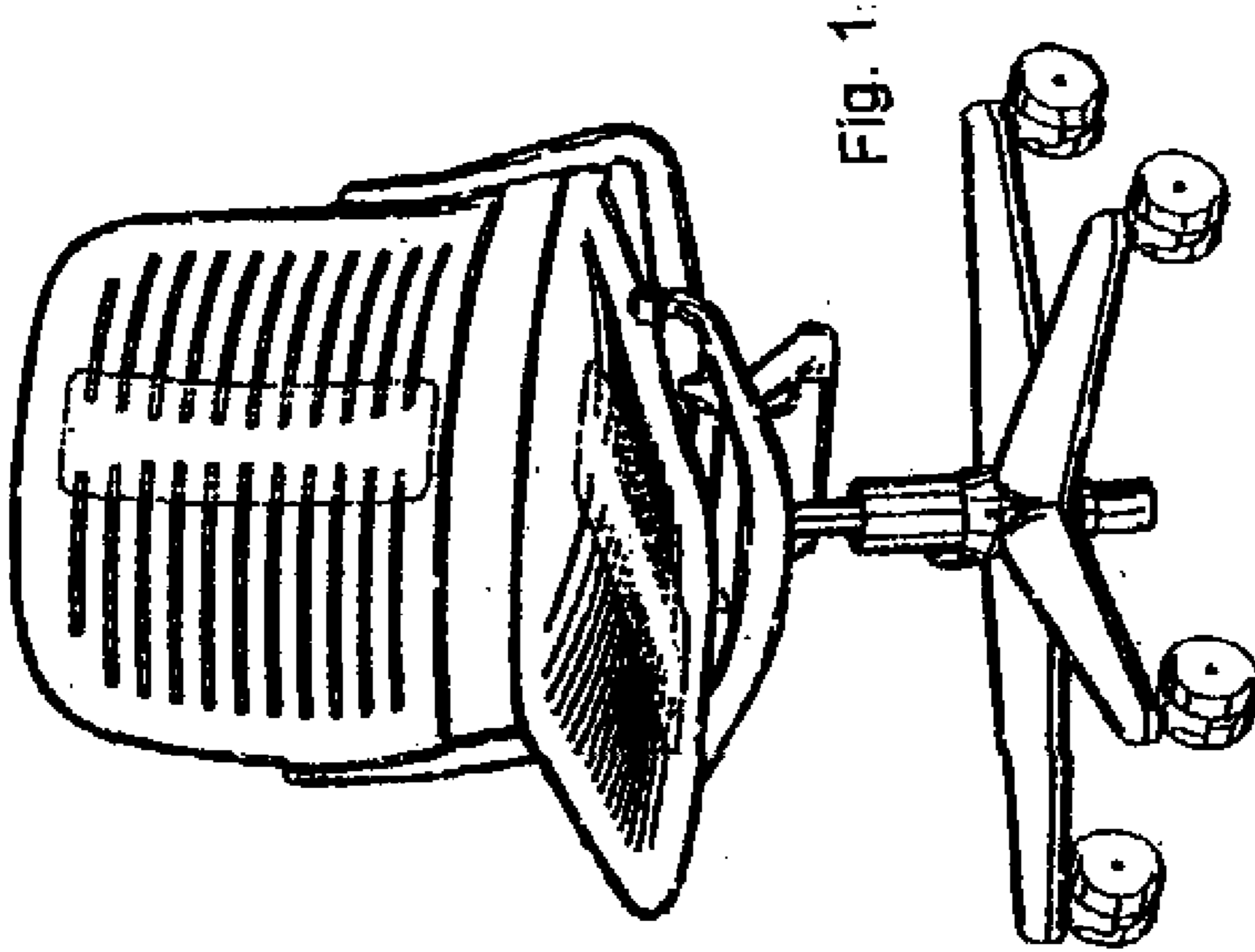
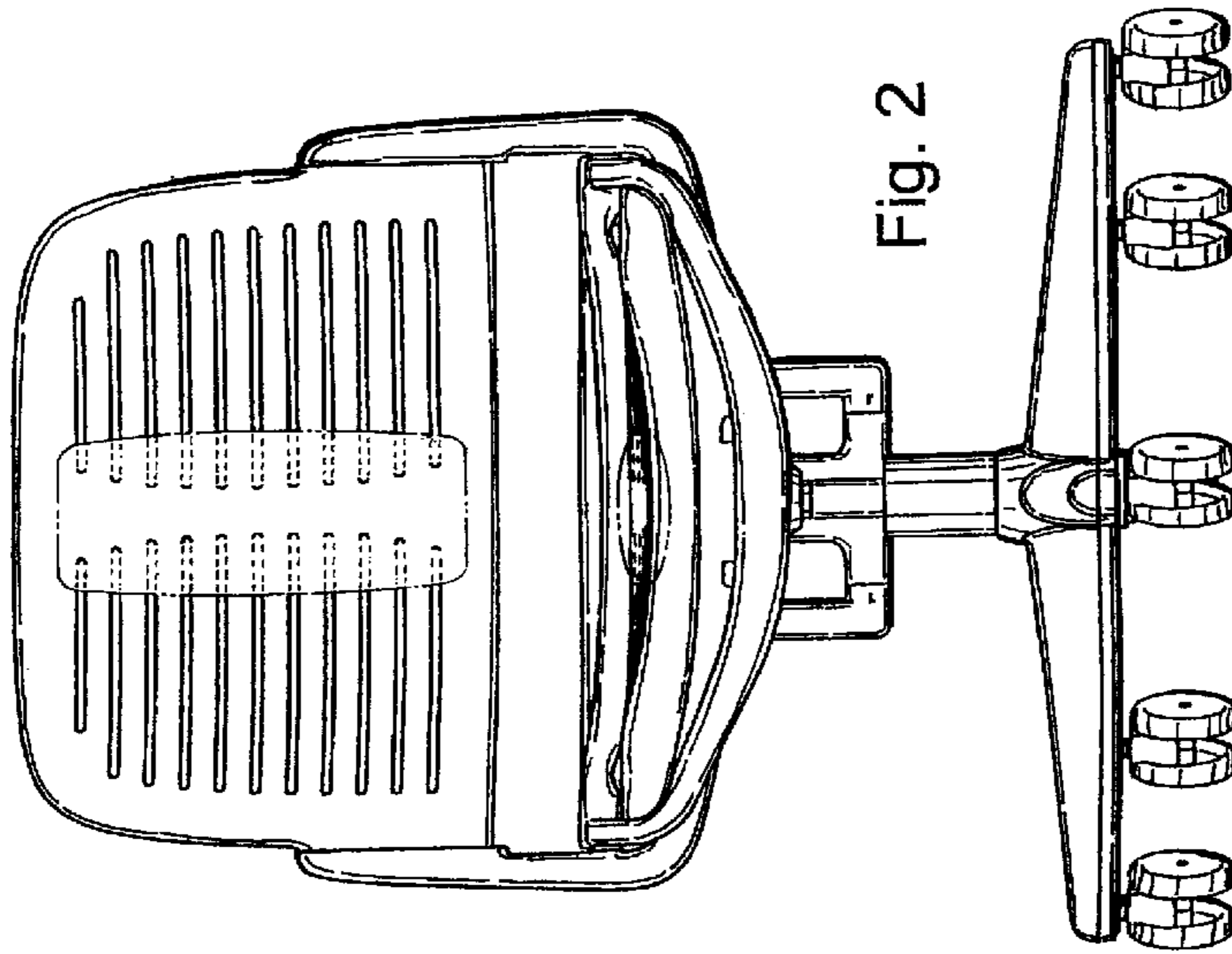
Page 3 of 5, of the drawings, Fig. 6; delete extraneous markings (i.e. circle) from Fig. 6 as shown on the attached page.

Signed and Sealed this

Eighth Day of April, 2003

A handwritten signature in black ink, appearing to read "James E. Rogan", written over a horizontal line.

JAMES E. ROGAN
Director of the United States Patent and Trademark Office



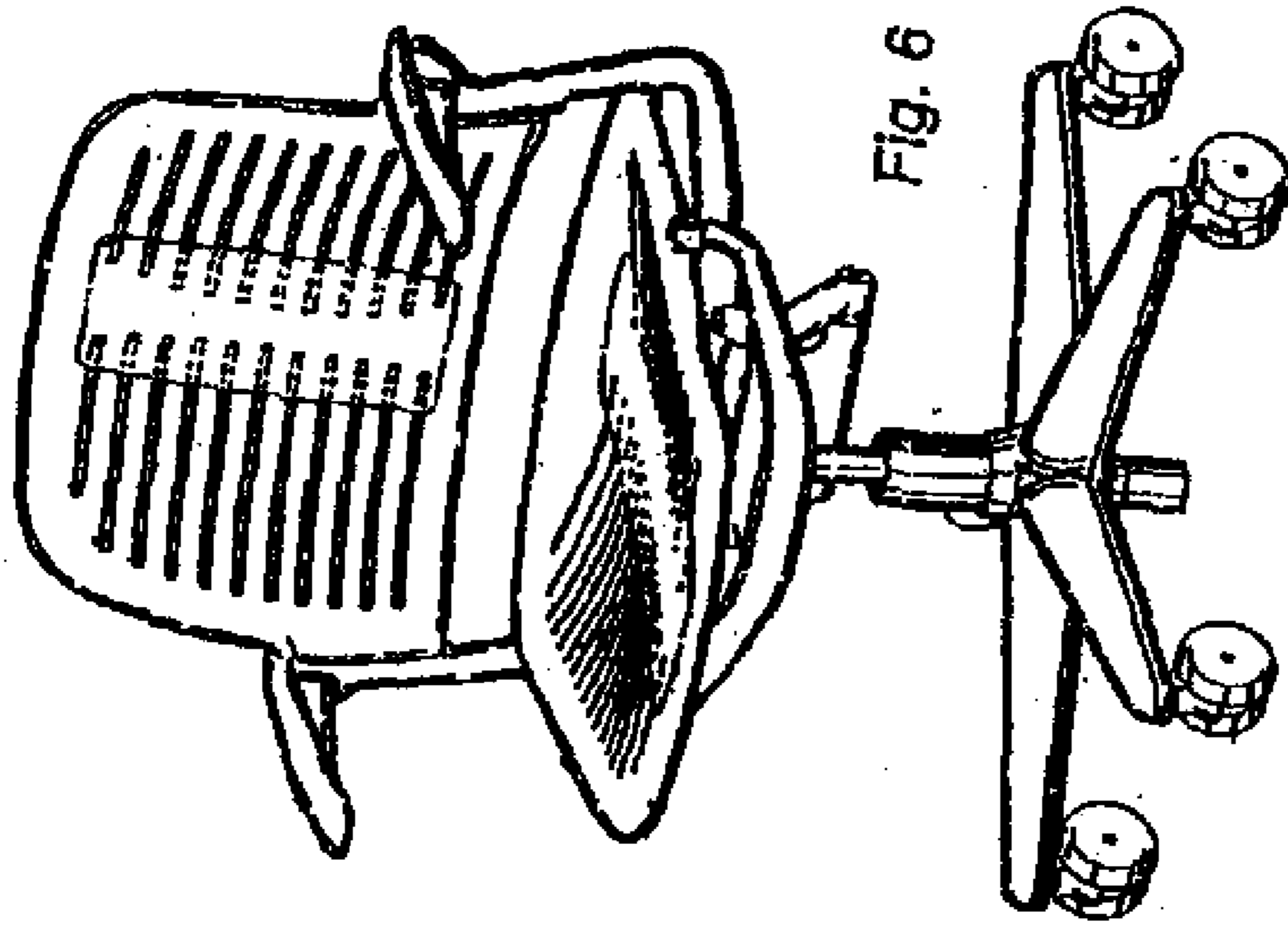


Fig. 6

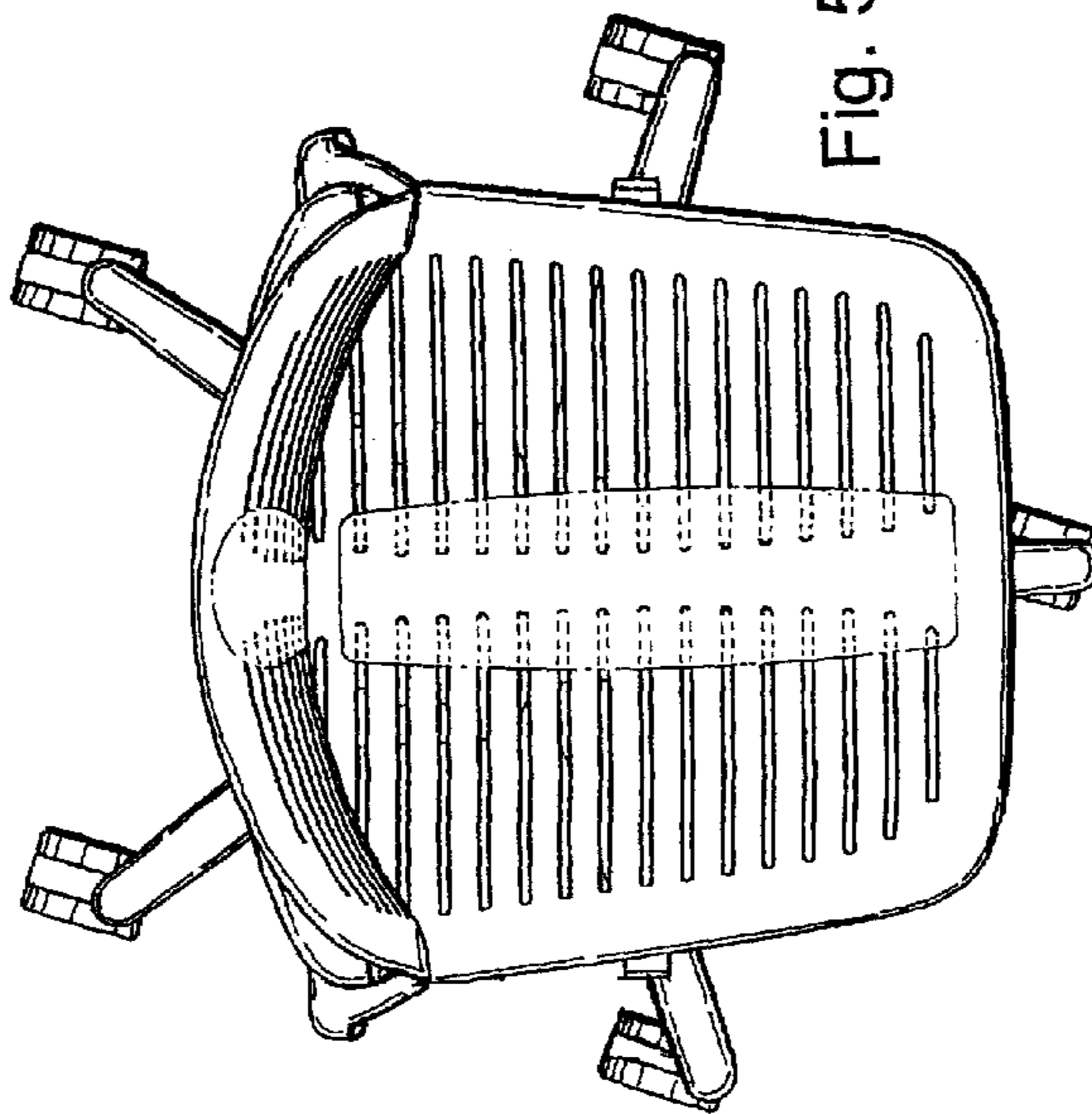


Fig. 5